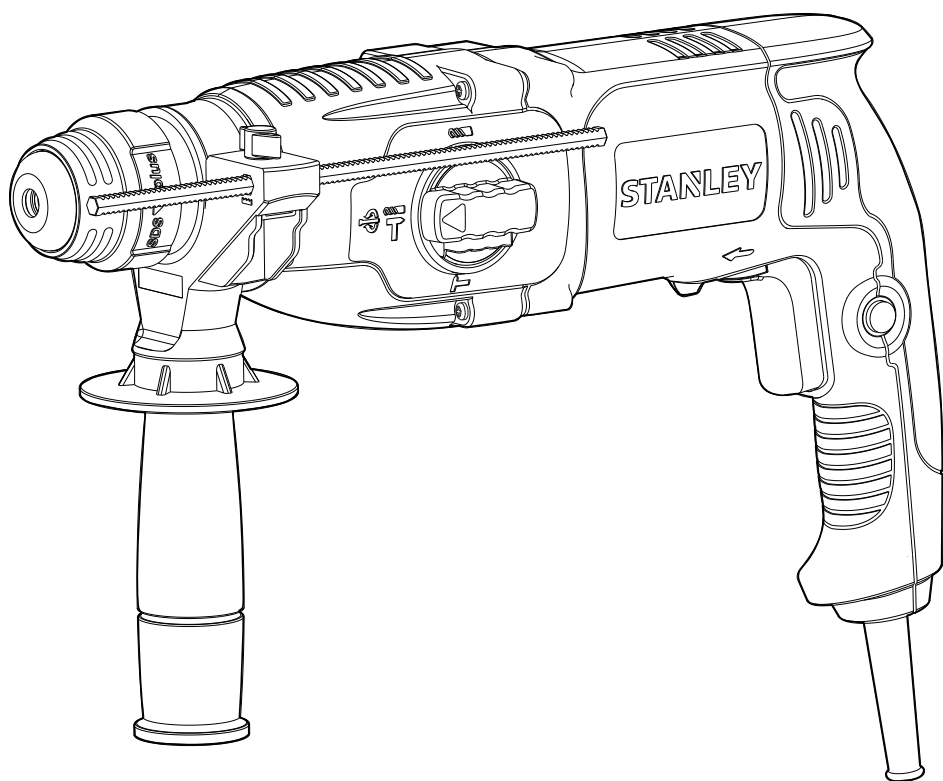
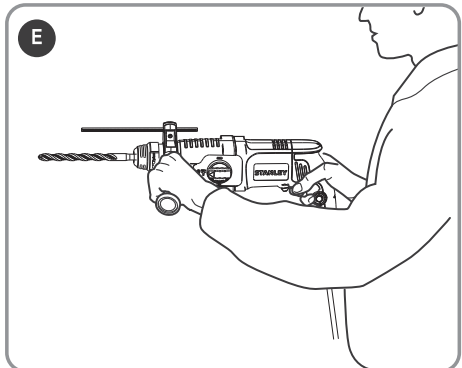
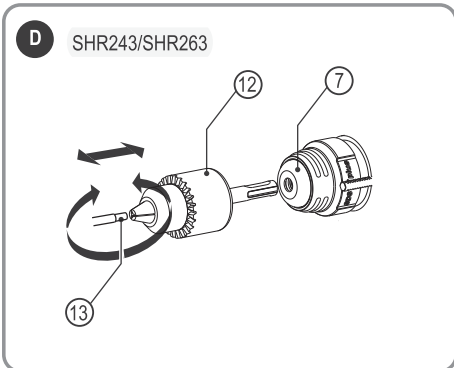
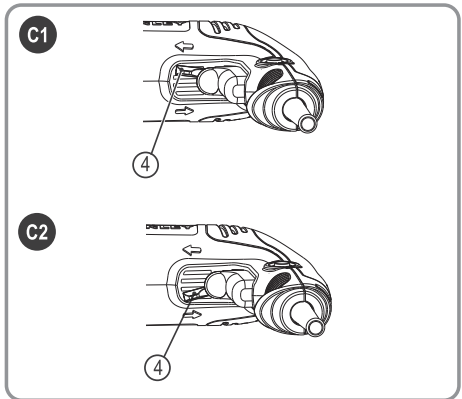
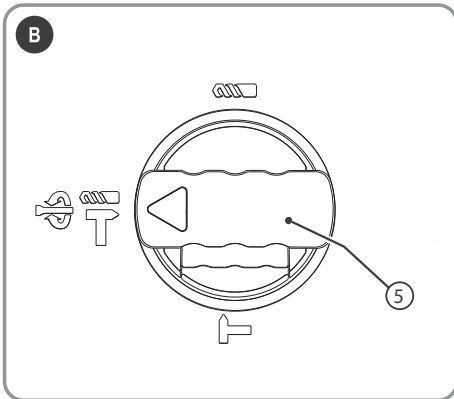
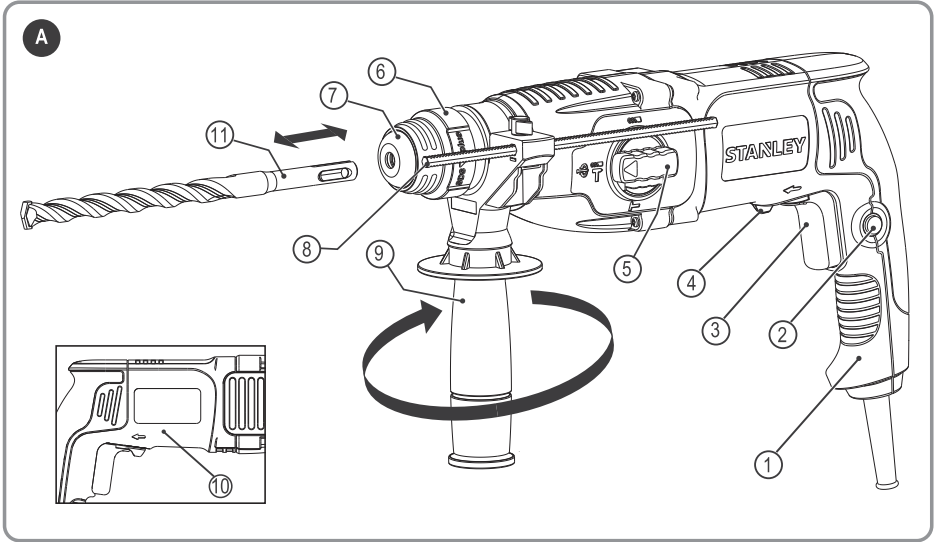


# STANLEY®

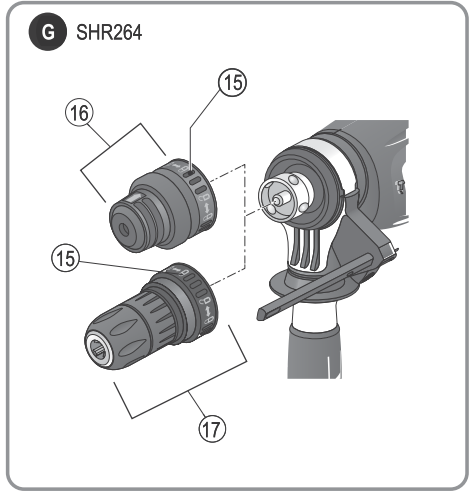
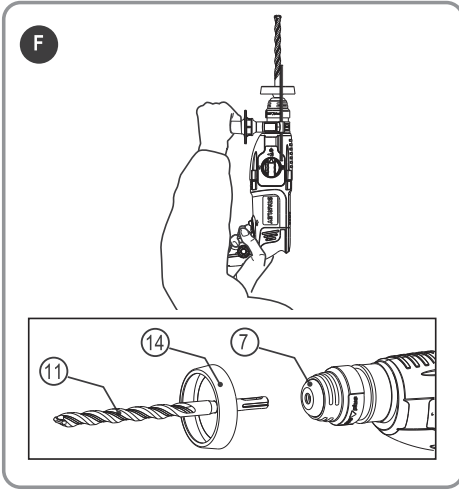


**SHR243**  
**SHR263**  
**SHR264**

English	Page	04
Turkish	Page	11
Russian	Page	19
Ukrainian	Page	29



\* The picture above may differ slightly to actual unit.



## Intended use

Your STANLEY SHR243, SHR263, SHR264 SDS-Plus rotary hammer is intended to drill holes in concrete, bricks, wood, and steel, light chipping demolition applications and for carbide tipped core drilling or use for screw driver. This tool is intended for professional use.

## SAFETY INSTRUCTIONS

### General Power Tool Safety Warnings



**WARNING! Read all safety warnings and all instructions.** Failure to follow the warnings and instructions may result in electric shock, fire and/or serious injury.

#### Save all warnings and instructions for future reference.

The term “power tool” in the warnings refers to your mains-operated (corded) power tool or battery operated (cordless) power tool.

1. **Work area safety**
  - a. **Keep work area clean and well lit.** Cluttered or dark areas invite accidents.
  - b. **Do not operate power tools in explosive atmospheres, such as in the presence of flammable liquids, gases or dust.** Power tools create sparks which may ignite the dust or fumes.
  - c. **Keep children and bystanders away while operating a power tool.** Distractions can cause you to lose control.
2. **Electrical safety**
  - a. **Power tool plugs must match the outlet. Never modify the plug in any way. Do not use any adapter plugs with earthed (grounded) power tools.** Unmodified plugs and matching outlets will reduce risk of electric shock.
  - b. **Avoid body contact with earthed or grounded surfaces such as pipes, radiators, ranges and refrigerators.** There is an increased risk of electric shock if your body is earthed or grounded.
  - c. **Do not expose power tools to rain or wet conditions.** Water entering a power tool will increase the risk of electric shock.
  - d. **Do not abuse the cord. Never use the cord for carrying, pulling or unplugging the power tool. Keep cord away from heat, oil, sharp edges or moving parts.** Damaged or entangled cords increase the risk of electric shock.
  - e. **When operating a power tool outdoors, use an extension cord suitable for outdoor use.** Use of a cord suitable for outdoor use reduces the risk of electric shock.
  - f. **If operating a power tool in a damp location is unavoidable, use a residual current device (RCD) protected supply.** Use of an RCD reduces the risk of electric shock. **NOTE:** The term “residual current device (RCD)” may be replaced by the term “ground fault circuit interrupter (GFCI)” or “earth leakage circuit breaker (ELCB)”.
3. **Personal safety**
  - a. **Stay alert, watch what you are doing and use common sense when operating a power tool. Do not use a power tool while you are tired or under the influence of drugs, alcohol or medication.** A moment of inattention while operating power tools may result in serious personal injury.
  - b. **Use personal protective equipment. Always wear eye protection.** Protective equipment such as dust mask, non-skid safety shoes, hard hat, or hearing protection used for appropriate conditions will reduce personal injuries.
  - c. **Prevent unintentional starting. Ensure the switch is in the off-position before connecting to power source and/or battery pack, picking up or carrying the tool.** Carrying power tools with your finger on the switch or energising power tools that have the switch on invites accidents.
  - d. **Remove any adjusting key or wrench before turning the power tool on.** A wrench or a key left attached to a rotating part of the power tool may result in personal injury.
  - e. **Do not overreach. Keep proper footing and balance at all times.** This enables better control of the power tool in unexpected situations.
  - f. **Dress properly. Do not wear loose clothing or jewellery. Keep your hair, clothing and gloves away from moving parts.** Loose clothes, jewellery or long hair can be caught in moving parts.
  - g. **If devices are provided for the connection of dust extraction and collection facilities, ensure these are connected and properly used.** Use of dust collection can reduce dust-related hazards.
4. **Power tool use and care**
  - a. **Do not force the power tool. Use the correct power tool for your application.** The correct power tool will do the job better and safer at the rate for which it was designed.
  - b. **Do not use the power tool if the switch does not turn it on and off.** Any power tool that cannot be controlled with the switch is dangerous and must be repaired.
  - c. **Disconnect the plug from the power source and/or the battery pack from the power tool before making any adjustments, changing accessories, or storing power tools.** Such preventive safety measures reduce the risk of starting the power tool accidentally.
  - d. **Store idle power tools out of the reach of children and do not allow persons unfamiliar with the power tool or these instructions to operate the power tool.** Power tools are dangerous in the hands of untrained users.
  - e. **Maintain power tools. Check for misalignment or binding of moving parts, breakage of parts and any other condition that may affect the power tools operation. If damaged, have the power tool repaired before use.** Many accidents are caused by poorly maintained power tools.

- f. **Keep cutting tools sharp and clean.** Properly maintained cutting tools with sharp cutting edges are less likely to bind and are easier to control.
  - g. **Use the power tool, accessories and tool bits etc. in accordance with these instructions, taking into account the working conditions and the work to be performed.** Use of the power tool for operations different from those intended could result in a hazardous situation.
5. **Service**
- a. **Have your power tool serviced by a qualified repair person using only identical replacement parts.** This will ensure that the safety of the power tool is maintained.

**ROTARY HAMMER SAFETY WARNINGS**

- **Wear ear protectors.** Exposure to noise can cause hearing loss.
- **Use auxiliary handle(s), if supplied with the tool.** Loss of control can cause personal injury.
- **Hold power tool by insulated gripping surfaces, when performing an operation where the cutting accessory may contact hidden wiring or its own cord.** Cutting accessory contacting a "live" wire may make exposed metal parts of the power tool "live" and could give the operator an electric shock.
- Never use a chisel accessory in rotary mode. The accessory will bind in the material and rotate the drill.
- Use clamps or another practical way to secure and support the work piece to a stable platform. Holding the work by hand or against your body leaves it unstable and may lead to loss of control.
- Before drilling into walls, floors or ceilings, check for the location of wiring and pipes.
- Avoid touching the tip of the drill bit after drilling so as to avoid scalding.
- The intended use is described in this instruction manual. The use of any accessory or attachment or performance of any operation with this tool other than those recommended in this instruction MANUAL MAY present a risk of personal injury and/or damage to property.

**Note:** Mains voltage: When connecting to the mains, it is imperative to verify if the voltage of the mains matches that of the power tool. If the mains voltage exceeds the voltage indicated on the power tool, the user may become severely injured in an accident, and the tool may be damaged. On the contrary, if the mains voltage is lower than the voltage required by the tool, the motor may be damaged as a result. Thus, if it is not possible to verify the voltage, it is imperative not to plug in to the power source

**RESIDUAL RISKS**

Additional residual risks may arise when using the tool which may not be included in the enclosed safety warnings. These

risks can arise from misuse, prolonged use etc. In spite of the application of the relevant safety regulations and the implementation of safety devices, certain risks cannot be avoided. These are:

- Injuries caused by touching any rotating/moving parts.
- Injuries caused when changing any parts, blades or accessories.
- Injuries caused by prolonged use of a tool. When using any tool for prolonged periods ensure you take regular breaks.
- Impairment of hearing.
- Health hazards caused by breathing dust developed when using your tool (example: working with wood, especially oak, beech and MDF.)

**SAFETY OF OTHERS**

- This appliance is not intended for use by persons (including children) with reduced physical, sensory or mental capabilities, or lack of experience and knowledge, unless they have been given supervision or instruction concerning use of the appliance by a person responsible for their safety.
- Children should be supervised to ensure that they do not play with the appliance.

**LABELS ON TOOL**

The following symbols are shown on the tool along with date code:

	<b>WARNING!</b> TO REDUCE THE RISK OF INJURY, THE USER MUST READ THE INSTRUCTION MANUAL BEFORE USE.		
	Wear ear protection.		
	Wear safety glasses or goggles.		
V	Volts	===	Direct Current
A	Amperes	n <sub>0</sub>	No-Load Speed
Hz	Hertz		Class II Construction
W	Watts		Earthing Terminal
min	minutes		Safety Alert Symbol
	Alternating Current	/min.	Revolutions or Reciprocation per minute

**Position of Date Code (FIG. A)**

The Date Code (10), which also includes the year of manufacture, is printed into the housing.

Example:

2017 XX JN  
Year of manufacturing

**PACKAGE CONTENTS**

The package contains:

- 1 SDS-Plus rotary hammer
- 1 Side handle
- 1 Depth stop
- 1 Kitbox
- 1 Drill chuck (Optional)
- 1 Bit (Optional)
- 1 Instruction manual
- 1 Dust collector
- 1 Keyless chuck (SHR264)

- Check for damage to the tool, parts or accessories which may have occurred during transport.
- Take the time to thoroughly read and understand this manual prior to operation.

**ELECTRICAL SAFETY**



Your tool is double insulated; therefore no earth wire is required. Be sure to check that the power supply corresponds to the voltage on the rating plate.



If the supply cord is damaged, it must be replaced by the manufacturer or an authorised STANLEY Black & Decker Service Centre in order to avoid a hazard.

**USING AN EXTENSION CABLE**

If it is necessary to use an extension cable, please use an approved extension cable that fits the tool's power input specifications. The minimum cross-sectional area of the conducting wire is 1.5 sq. mm. Cables should be untangled before reeling up.

Cable cross-sectional area (mm <sup>2</sup> )	Cable rated current (Ampere)
0.75	6
1.00	10
1.50	15
2.50	20
4.00	25

Cable length (m)						
	7.5	15	25	30	45	60

Voltage	Amperes	Cable rated current (Ampere)					
		6	6	6	6	15	15
115	0 - 2.0	6	6	6	6	6	10
	2.1 - 3.4	6	6	6	6	15	15
	3.5 - 5.0	6	6	10	15	20	20
	5.1 - 7.0	10	10	15	20	20	25
	7.1 - 12.0	15	15	20	25	25	-
230	12.1 - 20.0	20	20	25	-	-	-
	0 - 2.0	6	6	6	6	6	6
	2.1 - 3.4	6	6	6	6	6	6
	3.5 - 5.0	6	6	6	6	10	15
	5.1 - 7.0	10	10	10	10	15	15
	7.1 - 12.0	15	15	15	15	20	20
	12.1 - 20.0	20	20	20	20	25	-

**FEATURES (FIG. A, FIG. B, FIG. C, FIG. D, FIG. F, FIG. G)**

This tool includes some or all of the following features.

1. Main handle
2. Lock-on button
3. Variable speed switch
4. Forward/Reverse lever
5. Mode selector switch
6. Sleeve
7. Tool clamp
8. Depth Stop
9. Side handle
10. Date code
11. SDS Plus bit
12. Drill chuck
13. Drill bit
14. Dust collector
15. Locking collar
16. SDS Plus Tool Holder
17. Keyless chuck

**ASSEMBLY**

**WARNING!** Before assembly, make sure that the tool is switched off and unplugged.

**Attaching the Side Handle (FIG. A)**

**WARNING!** When using the tool, please use the side handle (9) for your safety.

The side handle can be fitted to suit both right-handed and left-handed users.

- Turn the grip counter-clockwise until you can slide the side handle onto the front of the tool.
- Rotate the side handle into the desired position.

- Tighten the side handle by turning the grip clockwise.

**WARNING!** When using the tool, remember to install the side handles properly.

### Fitting an accessory (FIG. A)

- Clean and grease the shank (11) of the SDS Plus bit.
- Insert the accessory bar into the tool clamp (7).
- Push the accessory down and turn it slightly until it fits into the slots.
- Pull on the accessory to check if it is properly locked. The hammering and drilling function requires the accessory to be able to move axially several centimetres when locked in the tool clamp.
- To remove the accessory, pull back the sleeve (6) and pull out the accessory from the tool clamp.

### Fitting dust collector (Fig. F)

- Insert the SDS Plus bit (11) into dust collector (14), then insert the bit (11) with dust collector into tool clamp (7).
- Use the dust collector only when the unit is used for upright drilling (Fig. F).

## USE

**WARNING!** Always wear gloves when you change accessories. The exposed metal parts on the tool and accessory may become extremely hot during operation. Please operate tool with normal load. Do not overload. Do not abuse the tool, please refer instruction manual to use the tool correctly.

**WARNING!** Before drilling into walls, floors or ceilings, check for the location of wiring and pipes.

### Setting the drilling depth (FIG. A)

The depth stop is a convenient feature to ensure uniformity in drilling depth. Loosen the side handle to adjust the depth gauge according to the required depth. After that, tighten the side handle.

- Slacken the side handle (9) by turning the grip counter-clockwise.
- Set the depth stop (8) to the required position. The maximum drilling depth is equal to the distance between the tip of the drill bit and the front end of the depth stop.
- Tighten the side handle by turning the grip clockwise.

### Switching on and off (FIG. A)

**WARNING!** Before plugging in to the power source, make sure the variable speed switch can be flipped freely, and can return to its original position once released. Please check switch lock on position before turn on and make sure switch lock off before plugging in to the power source.

- To switch the tool on, press the variable speed switch (3). The tool speed depends on how far you press the switch.
- As a general rule, use low speeds for large diameter drill bits and high speeds for smaller diameter drill bits.

- For continuous operation, press the lock-on button (2) and release the variable speed switch.
- To switch the tool off, release the variable speed switch. To switch the tool off when in continuous operation, press the variable speed switch once more and release it.

**WARNING!** When the user leaves, or pick up, transport, manner and position the tool, make sure that tool is switched off and unplugged.

### Fitting drill chuck (SHR243, SHR263 - Fig D)

#### Optional accessory (not included in the packaging)

- Insert the drill chuck suitable for SDS-Plus fitment (12) into the tool clamp (7) according to the instructions for installing attachments.
- Turn the drill chuck to loosen the clamps at the frontend of the drill-clamp, and insert the drill bit (13) into the clamps and turn the chuck in the opposite direction.
- You may also use the drill chuck key to tighten the clamp.



**Warning:** Never use standard chucks in the hammer-drilling mode

### Replacing the SDS Plus Tool Holder with the Keyless Chuck (SHR264 - Fig. G)

- Turn the locking collar (15) into the unlocking position and pull the SDS Plus Tool Holder (16) off.
- Push the keyless chuck (17) onto the spindle and turn the locking collar (15) to the locking position.

To replace the keyless chuck with the SDS Plus tool holder, first remove the keyless chuck the same way the tool holder was removed. Then place the tool holder the same way the keyless chuck was placed making sure to turn the locking collar to the locking position.



**Warning:** Never use standard chucks in the hammer-drilling mode

### Selecting the Operating Mode (FIG. B)

The tool can be used in the following operating modes:



**Rotary drilling:** for screw driving and for drilling into steel, wood and plastics



**Hammer drilling:** for concrete and masonry drilling operations. Bit rotation: non-working position used only to rotate a flat chisel into the desired position



**Hammering only:** for light chipping and chiselling. In this mode the tool can also be used as a lever to free a jammed drill bit.

1. To select the operating mode, press the mode selector button and rotate the mode selector switch (5) until it points to the symbol of the required mode.
2. Release the mode selector button and check that the mode selector switch is locked in place.



**WARNING!** Do not select the operating mode when the tool is running.

### Proper Hand Position (FIG. A, FIG. E)




**WARNING!** To reduce the risk of serious personal injury, ALWAYS use proper hand position as shown.



**WARNING!** To reduce the risk of serious personal injury, ALWAYS hold securely in anticipation of a sudden reaction.


Proper hand position requires one hand on the side handle (9), with the other hand on the main handle (1).

### Rotary drilling (FIG. B, FIG. D, FIG. C1/C2, Fig. D, Fig. G)

- For drilling in steel, wood and plastics, or for screw driving set the operating mode selector (5) to the  position.
- Fit the drill chuck assembly. Depending on your tool, follow either of the following instructions:  
**SHR264:** Replace the SDS Plus tool holder (16) with the keyless chuck (17).  
**SHR243/SHR263:** Fit the drill chuck assembly (12).
- Insert the appropriate bits. When driving slotted head screws always use bits with a finder sleeve.
- For drilling in steel, wood and plastics, set the forward/reverse lever(4) to the forward position(Fig C1). When use for screw driver function, tighten screws set the forward/reverse lever (4) to the forward position(Fig C1) and loose screws set the forward/reverse lever (4) to the reverse position(Fig C2).

**WARNING!** Never use drill chucks in the hammer drilling mode.

### Hammer drilling (FIG. B)

- For hammer drilling in masonry and concrete, set the operating mode selector (5) to the  position.
- The drill bit has to be placed accurately onto the drill hole position. After that, pull the switch for optimal effects. Make sure the tool is in the correct position to prevent the drill from deviating from the hole.
- When the drill hole is clogged with debris or fine powder, please don't exert any more pressure. Tool should be put in free-running state before removing part of the drill bit from the hole. If repeated a few times, the blockage in the hole would be cleared, and normal drilling can resume.

**WARNING!** When the drill bit hits the steel rebar in the cement, the tool may recoil dangerously. Please hold the tool tightly in a balanced and stable position at all times to prevent it from recoiling dangerously.

### Safety Clutch


All rotary hammer are equipped with a safety clutch that

reduces the maximum torque reaction transmitted to the operator in case of jamming of a drill bit. This feature also prevents the gearing and electric motor from stalling. The torque limiting clutch has been factory-set and cannot be adjusted.

### Overload coupling device

If the drill bit is caught or hooked, the driving force transmitted to the drill shaft will be cut off. This would generate a strong recoil, so it would be necessary to hold the tool tightly with both hands to remain in a stable position.

### Chipping and chiselling (FIG. B)

- Set the mode selector switch (5) to the "hammering only"  position.
- Insert the appropriate chisel and rotate it by hand to lock it into positions.
- Adjust the side handle (9) as required.
- Switch on the tool and start working.
- Always switch off the tool when work is finished and before unplugging.



**WARNING!** Do not use this tool to mix or pump easily combustible or explosive fluids (benzine, alcohol, etc.). Do not mix or stir inflammable liquids labelled accordingly.

### Accessories

The performance of your tool depends on the accessory used. Stanley accessories are engineered to high quality standards and designed to enhance the performance of your tool. By using these accessories you will get the very best from your tool.

## MAINTENANCE

Your STANLEY corded/cordless appliance/tool has been designed to operate over a long period of time with a minimum of maintenance. To ensure satisfactory operations, the tool must be maintained and cleaned regularly



**WARNING:** To reduce the risk of injury, turn unit off and disconnect machine from power source before installing and removing accessories, before adjusting or changing set-ups or when making repairs. Be sure the trigger switch is in the OFF position. An accidental start-up can cause injury.

- This machine is not user-serviceable. If problems occur contact an authorised repair agent.
- The tool will automatically switch off when the carbon brushes are worn.
- WARNING!** Before performing any maintenance on corded/ cordless power tools:
- Switch off and unplug the appliance/tool.



- Or switch off and remove the battery from the appliance/tool if the appliance/tool has a separate battery pack.
- Or run the battery down completely if it is integral and then switch off.
- Unplug the charger before cleaning it. Your charger does not require any maintenance apart from regular cleaning.
- Regularly clean the ventilation slots in your appliance/ tool/ charger using a soft brush or dry cloth.
- Regularly clean the motor housing using a damp cloth. Do not use any abrasive or solvent-based cleaner.
- Regularly open the chuck and tap it to remove any dust from the interior (when fitted).



### Lubrication

Your power tool requires no additional lubrication. Accessories and attachments used must be regularly lubricated around the SDS Plus fitment.



### Cleaning



**WARNING!** Blow dirt and dust out of the main housing with dry air as often as dirt is seen collecting in and around the air vents. Wear approved eye protection and approved dust mask when performing this procedure.



**WARNING!** Never use solvents or other harsh chemicals for cleaning the nonmetallic parts of the tool. These chemicals may weaken the material of the parts. Use only mild soap and damp cloth to clean the tool. Never let any liquid get inside the tool, cleaning of gasoline or other chemicals, never immerse any part of the tool into liquid.

### Optional Accessories



**WARNING!** Since accessories, other than those offered by STANLEY, have not been tested with this product, use of such accessories with this tool could be hazardous. To reduce the risk of injury, only STANLEY, recommended accessories should be used with this product.

Various types of SDS Plus drill bits and chisels are available as an option.

Consult your dealer for further information on the appropriate accessories.

### Protecting The Environment



Separate collection. This product must not be disposed of with normal household waste.

Should you find one day that your STANLEY product needs replacement, or if it is of no further use to you, do not dispose of it with household waste. Make this product available for separate collection.



STANLEY provides a facility for the collection and recycling of STANLEY products once they have reached the end of their working life. To take advantage of this service please return your product to any authorised repair agent who will collect them on our behalf.

You can check the location of your nearest authorised repair agent by contacting your local STANLEY office at the address indicated in this manual. Alternatively, a list of authorised STANLEY repair agents and full details of our after-sales service and contacts are available on the Internet at: [www.2helpU.com](http://www.2helpU.com).

### Notes

STANLEY's policy is one of continuous improvement to our products and as such, we reserve the right to change product specifications without prior notice.

Standard equipment and accessories may vary by country.

Product specifications may differ by country.

Complete product range may not be available in all countries. Contact your local STANLEY dealers for range availability.

### TECHNICAL DATA

ROTARY HAMMER		SHR243	SHR263	SHR264
Voltage	V	220-240	220-240	220-240
Frequency	Hz	50/60	50/60	50/60
Power input	W	780	800	800
No-load speed	min <sup>-1</sup>	0-1250	0-1150	0-1250
Impact rate	bpm	0-4670	0-4300	0-4670
Impact energy (EPTA / Max)	J	2.2/3.1	2.4/3.4	2.4/3.4
Modes		3	3	3
Max drilling capacity	mm			
- Concrete		24	26	26
- Steel		13	13	13
- Wood		30	30	30
Weight	kg	2.6	2.6	2.7

### SHR243

#### Level of sound pressure according to EN 60745:

Sound pressure ( $L_{pA}$ ) 92.5 dB(A), uncertainty (K) 3 dB(A)

Sound power ( $L_{WA}$ ) 103.5 dB(A), uncertainty (K) 3 dB(A)

#### Vibration emission value ah:

ah, Cheq =  $m/s^2$  16.3

ah, HD =  $m/s^2$  17.2

Uncertainty K = 1.5  $m/s^2$

**SHR263, SHR264**

**Level of sound pressure according to EN 60745:**  
 Sound pressure ( $L_{pA}$ ) 90.7 dB(A), uncertainty (K) 3 dB(A)  
 Sound power ( $L_{WA}$ ) 101.7 dB(A), uncertainty (K) 3 dB(A)

**Vibration emission value ah:**  
 ah, Cheq =  $m/s^2$  17.6  
 ah, HD =  $m/s^2$  17.4  
 Uncertainty K = 1.5  $m/s^2$

**Vibration**

The declared vibration emission values stated in the technical data and the declaration of conformity have been measured in accordance with a standard test method provided by EN 60745 and may be used for comparing one tool with another. The declared vibration emission value may also be used in a preliminary assessment of exposure.

**Warning!** The vibration emission value during actual use of the power tool can differ from the declared value depending on the ways in which the tool is used. The vibration level may increase above the level stated.

When assessing vibration exposure to determine safety measures required by 2002/44/EC to protect persons regularly using power tools in employment, an estimation of vibration exposure should consider, the actual conditions of use and the way the tool is used, including taking account of all parts of the operating cycle such as the times when the tool is switched off and when it is running idle in addition to the trigger time.

**Service Information**

STANLEY offers a full network of company-owned and/ or authorized service agents throughout your country. All STANLEY Service Centers are staffed with trained personnel to provide customers with efficient and reliable power tool service. Whether you need technical advice, repair, or genuine factory replacement parts, contact the STANLEY location nearest to you.

**EC declaration of conformity**  
 MACHINERY DIRECTIVE



**SHR243-SHR263-SHR264 - Rotary Hammer**

STANLEY Europe declares that these products described under "technical data" are in compliance with: 2006/42/EC, EN 60745-1:2009 + A11:2010, EN 60745-2-1:2010, EN 60745-2-6:2010

These products also comply with 2014/30/EU and 2011/65/EU.

For more information, please contact STANLEY Europe at the following address or refer to the back of the manual. The undersigned is responsible for compilation of the technical file and makes this declaration on behalf of STANLEY Europe.

**R.Laverick**  
 Engineering Manager  
 STANLEY , Europe, Egide Walschaertsstraat14-18,  
 2800 Mechelen, Belgium  
 06.2017

**TWO YEAR WARRANTY**

If your STANLEY product becomes defective due to faulty materials or workmanship within 24 months from the date of purchase, STANLEY guarantees to replace all defective parts free of charge or – at our discretion – replace the unit free of charge provided that:

- The product has not been misused and has been used in accordance with the instruction manual;
- The product has been subject to fair wear and tear;
- Repairs have not been attempted by unauthorized persons;
- Proof of purchase is produced.
- The STANLEY product is returned complete with all original components
- The product hasn't been used for hire purposes

If you wish to make a claim, contact your seller or check the location of your nearest authorised STANLEY repair agent in the STANLEY catalogue or contact your local STANLEY office at the address indicated in this manual. A list of authorised STANLEY repair agents and full details of our after sales service is available on the internet at: [www.2helpU.com](http://www.2helpU.com)

**Kullanım amacı**

SHR243, SHR263, SHR264 STANLEY SDS-Plus pnömatik matkabınız beton, duvar, ahşap ve metal delme işleri, basit kırma, karpit uçlu buat açma ve vidalama uygulamaları için tasarlanmıştır. Bu alet profesyonel kullanım içindir.

**GÜVENLİK TALİMATLARI****Elektrikli el aletleri için genel güvenlik talimatları**

**UYARI!** Bütün güvenlik uyarılarını ve talimatlarını mutlaka okuyun. Bu uyarılar ve talimatların herhangi birisine uyulmaması elektrik çarpması, yangın ve/veya ciddi yaralanma riskine neden olabilir.

**Bütün uyarı ve güvenlik talimatlarını ilerde bakmak üzere saklayın.** Uyarılarda yer alan «elektrikli alet» terimi şebeke elektrigiyle (kablolu) veya akü/pille (şarjlı) çalışan elektrikli aletinizi ifade etmektedir.

**1. Çalışma alanının güvenliği**

- Çalışma alanını temiz ve aydınlık tutun.** Dağınık ve karanlık alanlar kazaya davetiye çıkarır.
- Elektrikli aletleri, yanıcı sıvılar, gazlar ve tozların bulunduğu yerler gibi yanıcı ortamlarda çalıştırmayın.** Elektrikli aletler, toz veya dumanları ateşleyebilecek kıvılcımlar çıkarır.
- Bir elektrikli aleti çalıştırırken çocuklardan ve etraftaki kişilerden uzak tutun.** Dikkatinizi dağıtıcı şeyler kontrolü kaybetmenize neden olabilir.

**2. Elektrik güvenliği**

- Elektrikli aletlerin fişleri prizlere uygun olmalıdır. Fiş üzerinde kesinlikle hiçbir değişiklik yapmayın. Topraklı (topraklanmış) elektrikli aletlerde hiçbir adaptor fişi kullanmayın.** Değiştirilmemiş fişler ve uygun prizler elektrik çarpması riskini azaltacaktır.
- Borular, radyatörler, ocaklar ve buzdolapları gibi topraklanmış yüzeylerle vücut temasından kaçının.** Vücudunuzun topraklanması halinde yüksek elektrik çarpması riski vardır.
- Elektrikli aletleri yağmura maruz bırakmayın veya ıslatmayın.** Elektrikli alete su girmesi, elektrik çarpması riskini artıracaktır.
- Kablosuna zarar vermeyin. Elektrikli aleti kesinlikle kablosundan tutarak taşımayın, çekmeyin veya prizden çıkarmayın. Kabloyu sıcaktan, yağdan, keskin kenarlardan veya hareketli parçalardan uzak tutun.** Hasarlı veya dolanmış kablolar elektrik çarpması riskini artırır.
- Elektrikli aleti açık havada kullanırken, açık hava kullanımına uygun bir uzatma kablosu kullanın.** Açık havada kullanıma uygun bir kablolu kullanılması elektrik çarpması riskini azaltır.
- Eğer bir elektrikli aleti nemli bir bölgede çalıştırması zorunluysa, bir artık akım aygıtı (RCD) korumalı bir**

**kaynak kullanın.** Bir RCD kullanılması elektrik çarpması riskini azaltır. NOT: «Artık Akım Aygıtı (RCD)» tanımı, «Kaçak Akım Koruma Cihazı (GFCI)» veya «Toprak Kaçağı Devre Kesici (ELCB)» tanımları ile değiştirilebilir.

**3. Kişisel güvenlik**

- Elektrikli bir alet kullanırken her zaman dikkatli olun, yaptığınız işe yoğunlaşın ve sağduyulu davranın. Elektrikli bir aleti yorgunken veya ilaç ya da alkolün etkisi altındayken kullanmayın.** Elektrikli aletleri kullanırken bir anlık dikkatsizlik ciddi yaralanmalara yol açabilir.
- Kişisel koruyucu ekipmanları mutlaka kullanın.** Daima koruyucu gözlük takın. Koşullara uygun toz maskesi, kaymayan güvenlik ayakkabıları, baret veya kulaklık gibi koruyucu donanımların kullanılması kişisel yaralanmaları azaltacaktır.
- İstem dışı çalıştırılmasını önleyin. Cihazı güç kaynağına ve/veya aküye bağlamadan, kaldırmadan veya taşımadan önce düğmenin kapalı konumda olduğundan emin olun.** Aleti, parmağınız düğme üzerinde bulunacak şekilde taşımak veya açık konumdaki elektrikli aletleri elektrik şebekesine bağlamak kazaya davetiye çıkarır.
- Elektrikli aleti çalıştırmadan önce herhangi bir ayarlama anahtarını veya vida anahtarını çıkarın.** Elektrikli aletin hareketli parçasına takılı bırakılan bir vida anahtarı veya anahtar, kişisel yaralanmaya neden olabilir.
- Ulaşmakta zorlandığınız yerlerde kullanmayın. Her zaman sağlam ve dengeli basın.** Bu, beklenmedik durumlarda elektrikli aletin daha iyi kontrol edilmesine olanak tanır.
- Uygun şekilde giyinin. Bol giysiler giymeyin ve takı takmayın. Saçınızı, giysinizi ve eldivenlerinizi hareketli parçalardan uzak tutun.** Bol giysiler, takılar veya uzun saçlar hareketli parçalara takılabilir.
- Eğer kullandığınız üründe toz emme ve toplama özellikleri olan ataşmalar varsa bunların bağlı olduğundan ve doğru şekilde kullanıldığından emin olun.** Bu toz toplama ataşmanların kullanılması tozla ilgili tehlikeleri azaltabilir.
- Elektrikli aletlerin kullanımı ve bakımı**
  - Elektrikli aleti zorlamayın. Uygulamanız için doğru elektrikli aleti kullanın.** Doğru elektrikli alet, belirlendiği kapasite ayarında kullanıldığında daha iyi ve güvenli çalışacaktır.
  - Düğme açmıyor ve kapatmıyorsa elektrikli aleti kullanmayın.** Düğmeyle kontrol edilemeyen tüm elektrikli aletler tehlikelidir ve tamir edilmesi gerekmektedir.
  - Herhangi bir ayarlama, aksesuar değişimi veya elektrikli aletlerin saklanması öncesinde fişi güç kaynağından çekin.** Bu tür önleyici güvenlik tedbirleri aletin istem dışı çalıştırılması riskini azaltır.

- d. **Elektrikli aleti, çocukların ulaşamayacağı yerlerde saklayın ve elektrikli aleti tanımayan veya bu talimatları bilmeyen kişilerin elektrikli aleti kullanmasına izin vermeyin.** Elektrikli aletler, eğitimsiz kullanıcıların elinde tehlikelidir.
- e. **Elektrikli aletlerin bakımını yapın. Hareketli parçalarındaki hizalama hatalarını ve tutuklukları, parçalarındaki kırılmalar ve elektrikli aletin çalışmasını etkileyebilecek tüm koşulları kontrol edin. Hasarlı ise, elektrikli aleti kullanmadan önce tamir ettirin.** Kazaların çoğu, elektrikli aletlerin bakımının yeterli şekilde yapılmamasından kaynaklanır.
- f. **Kesim aletlerini keskin ve temiz tutun.** Bakımı uygun şekilde yapılmış keskin kesim uçlu kesim aletlerinin sıkışma ihtimali daha düşüktür ve kontrol edilmesi kolaydır.
- g. **Elektrikli aleti, aksesuarlarını ve aletin diğer parçalarını vs. kullanırken bu talimatlara mutlaka uyun ve elektrikli alet türü için öngörüldüğü şekilde, çalışma ortamının koşullarını ve yapılacak işin ne olduğunu göz önünde bulundurun.** Elektrikli aletin öngörülen işlemler dışındaki işlemler için kullanılması tehlikeli durumlara neden olabilir.
5. **Servis**
- a. **Elektrikli aletinizi, sadece orijinal yedek parçaların kullanıldığı yetkili servise tamir ettirin.** Bu, elektrikli aletin güvenliğinin muhafaza edilmesini sağlayacaktır.

### PNÖMATİK MATKAPLAR İÇİN GÜVENLİK UYARILARI

- **Kulaklık takın.** Yüksek sese maruz kalmak işitme kaybına yol açabilir.
- **Aletle birlikte verilmiş olan yardımcı tutma kollarını kullanın.** Kontrol kaybı kişisel yaralanmalara neden olabilir.
- **Kesme aksesuarının gizli kabloları veya kendi kablosuna temas edebileceği yerlerde çalışma yaparken elektrikli aleti yalıtımlı kavrama yüzeylerini tutun.** Kesme aksesuarının «akım taşıyan» bir kabloya temas etmesi durumunda elektrikli aletin metal kısımları da «akım taşıy» hale gelecek ve kullanıcının elektrik çarpmasına neden olabilir.
- Hiçbir zaman dönme konumunda kırıcı uç kullanmayın. Aksesuar malzeme içinde sıkışacak ve matkabı döndürecektir.
- Üzerinde çalıştığınız parçayı sabitlemek ve desteklemek için kelepçeler veya başka pratik yöntemler kullanın. Parçayı elle veya vücudunuza dayamanız dengesiz durmasına neden olacaktır ve aletin kontrolünü kaybetmenize yol açabilir.
- Duvar, zemin veya tavanda delik açmadan önce kablo ve boruların konumunu kontrol edin.
- Isınmadan dolayı cildinizin zarar görmesini önlemek amacıyla delme işleminin hemen ardından matkap ucuna dokunmaktan kaçının.
- Kullanım amacı bu kullanım kılavuzunda açıklanmıştır.

Herhangi bir aksesuarın veya bağlantının ya da işlemin, bu kılavuzda tavsiye edilen şekilden başka bir şekilde kullanılması şahısların yaralanmalarına ve/veya mal kaybına yol açabilir.

**Not:** Şebeke gerilimi: Şebekeye bağlarken, şebeke geriliminin elektrikli alet gerilimine uyumlu olduğunu doğrulamak zorunludur. Şebeke gerilimi elektrikli aletin üzerinde belirtilen gerilimi aşarsa, kullanıcı ciddi bir kazadan yaralanabilir ve alet zarar görebilir. Bilakis, şebeke gerilimi alet için gerekli olan voltajdan daha düşük ise motor hasar görebilir. Şebeke gerilimini doğrulamak mümkün değilse alet güç kaynağına bağlanmamalıdır.

### DİĞER TEHLİKELER

Aletin kullanımıyla ilgili ekte sunulan güvenlik uyarılarına dahil olmayan ilave kalıcı riskler ortaya çıkabilir. Bu riskler, hatalı, uzun süreli kullanım vb. dolayısıyla ortaya çıkabilir. Emniyet tedbirlerini düzenleyen yönetmeliğin uygulanmasına ve emniyet sağlayıcı aygıtların kullanılmasına rağmen, başka belirli risklerden kaçınılamaz. Bunlar:




- Aletin dönen ve hareket eden parçalarına dokunma sonucu ortaya çıkan yaralanmalar.
- Herhangi bir parçayı, bıçak veya aksesuarı değiştirirken ortaya çıkan yaralanmalar.
- Aletin uzun süreli kullanılması sonucu ortaya çıkan yaralanmalar. Herhangi bir aleti uzun sürelerle kullanacaksanız düzenli olarak çalışmanıza ara verin.
- Duyma bozukluğu.
- Aleti kullanırken ortaya çıkan tozun solunması sonucu ortaya çıkan sağlık sorunları (örnek: ahşapta, özellikle meşe, kayın ve MDF).

### DİĞER KİŞİLERİN GÜVENLİĞİ

- Bu alet fiziksel ve zihinsel kapasitesinin yanı sıra algılama gücü azalmış olan veya yeterince deneyim ve bilgisi bulunmayan kişiler (çocuklar dahil) tarafından kullanılmak üzere üretilmemiştir. Bu tür kişiler aleti ancak güvenliklerinden sorumlu bir kişi tarafından aletin kullanımıyla ilgili talimatların verilmesi veya sürekli kontrol altında tutulması durumunda kullanılabilir.
- Çocuklar, aletle oynamalarını önlemek amacıyla kontrol altında tutulmalıdır.

### ALET ÜZERİNDEKİ ETİKETLER

Aletin etiketinde tarih kodu ile birlikte aşağıdaki semboller bulunabilir:

	<b>UYARI!</b> Yaralanma riskini en aza indirmek için kullanıcı kullanım talimatlarını mutlaka okumalıdır.
	Kulaklık takın.
	Koruyucu gözlük takın.

V	Volt		Doğru akım
A	Amper	$\eta_0$	Yüksüz hızı
Hz	Hertz		Çift yalıtım
W	Watt		Topraklı terminal
min	dakikalar		Güvenlik uyarı sembolü
	Dalgalı akım	/min.	Dakikada devir veya darbe sayısı

**Tarih kodu konumu (Şekil A)**

İmalat yılını da içeren Tarih Kodu (10) gövdeye basılıdır.

Örnek:

2017 XX JN  
İmalat Yılı AMBALAJIN İÇERİĞİ

**AMBALAJ, AŞAĞIDAKI PARÇALARI İÇERMEKTEDİR:**

- 1 SDS Plus pnömatik matkap
- 1 Yan kol
- 1 Derinlik çubuğu
- 1 Çanta
- 1 Mandren (İlave aksesuar)
- 1 Uç (İlave aksesuar)
- 1 Kullanım kılavuzu
- 1 Toz toplayıcı
- 1 Anahtarsız mandren (SHR264)
- Alette, parçalarda veya aksesuarlarda nakliye sırasında meydana gelmiş olabilecek hasarı kontrol edin.
- Aleti çalıştırmadan önce, bu kullanım kılavuzunu baştan sonra okuyup anlamak için gerekli zamanı ayırın.

**ELEKTRİK GÜVENLİĞİ**

Bu alet çift yalıtımlıdır. Bu yüzden hiçbir topraklama kablosuna gerek yoktur. Her zaman şebeke geriliminin aletin üretim etiketinde belirlenmiş değerlere uyup uymadığını kontrol edin.



Elektrik kablosu hasarlı ise, bir tehlike oluşmasını önlemek için üretici ya da yetkili STANLEY Bblack & Decker Servis Merkezi tarafından değiştirilmelidir.

**UZATMA KABLOLARININ KULLANIMI**

Bir uzatma kablosu gerekli ise, bu aletin elektrik girişine uygun, onaylı bir uzatma kablo kullanın. Minimum iletken boyutu 1,5 mm<sup>2</sup>'dir. Bir kablo makarası kullanırken, kabloyu daima sonuna kadar açın.

İletken boyutu (mm <sup>2</sup> )	Kablo gücü (Amper)
0,75	6
1,00	10
1,50	15
2,50	20
4,00	25

Kablo uzunluğu (m)						
	7,5	15	25	30	45	60

Voltaj	Amper	Kablo gücü (Amper)					
110-127	0 - 2,0	6	6	6	6	6	10
	2,1 - 3,4	6	6	6	6	15	15
	3,5 - 5,0	6	6	10	15	20	20
	5,1 - 7,0	10	10	15	20	20	25
220-240	7,1 - 12,0	15	15	20	25	25	-
	12,1 - 20,0	20	20	25	-	-	-
	0 - 2,0	6	6	6	6	6	6
	2,1 - 3,4	6	6	6	6	6	6
	3,5 - 5,0	6	6	6	6	10	15
	5,1 - 7,0	10	10	10	10	15	15
	7,1 - 12,0	15	15	15	15	20	20
	12,1 - 20,0	20	20	20	20	25	-

**ÖZELLİKLER (ŞEKİL A, ŞEKİL B, ŞEKİL C, ŞEKİL D, ŞEKİL F, ŞEKİL G)**

Bu alet, aşağıdaki özelliklerin bir kısmını veya tümünü içermektedir.

1. Ana kol
2. Kesintisiz çalıştırma düğmesi
3. Değişken hız ayarlı açma/kapama tetiği
4. İleri/geri sürgüsü
5. Çalışma modu değiştirme düğmesi
6. Kovan
7. Uç tutucu
8. Derinlik çubuğu
9. Yan sap
10. Tarih kodu
11. SDS Plus ucu
12. Mandren
13. Matkap ucu
14. Toz toplayıcı
15. Sıkma bileziği
16. SDS Plus mandren
17. Anahtarsız mandren

**MONTAJ**

**UYARI!** Montajdan önce aletin kapalı ve fişinin çekilmiş olduğundan emin olun.

**Yan kolunun takılması (Şekil A)**

**UYARI!** Güvenli çalışmasını sağlamak için alet kullanımı sırasında lütfen yan kolu (9) tutun.

Yan kol, sol ve sağ elini kullanan kullanıcılara uygun olması için takılabilir.

- Tutamağı, yan kol aletin ön kısmının üzerine kaydırabilir duruma gelene kadar saatin ters yönünde çevirin.
- Yan kolu istediğiniz konuma çevirin.
- Tutamağı saat yönünde çevirerek yan kolu sıkın.

**UYARI!** Aleti kullanırken yan kolu düzgün bir şekilde takmayı unutmayın.

**Aksesuar takılması (Şekil A)**

- SDS Plus ucunun sap kısmını (15) temizleyip yağlayın.
- Aksesuarın sapını uç tutucuya (7) sokun.
- Aksesuarı aşağı bastırın ve yuvaların içine oturana kadar hafifçe çevirin.
- Uygun şekilde kilitlenip kilitlenmediğini kontrol etmek için aksesuarı çekin. Darbeli ve darbesiz delme fonksiyonu, aksesuarın uç tutucuya kilitlendikten sonra yukarı aşağı birkaç santimetre hareket edebilmesini gerektirir.
- Aksesuarı çıkartmak için, kovanı (6) geri çekin ve aksesuarı çekip uç tutucudan çıkartın.

**Toz toplayıcının takılması (Şekil F)**

- SDS Plus ucunu (11) toz toplayıcıya (14) takın, sonra ikisini birlikte uç tutucuya (7) sokun.
- Toz toplayıcıyı sadece aleti baş üzere hizada delik delerken kullanın (Şekil F).

**KULLANIM**

**UYARI!** Aksesuarı değiştirirken her zaman koruyucu eldiven takın. Aletin metal kısımları ve aksesuar kullanım sırasında aşırı derecede ısınır. Aletin kendi hızında çalışmasına izin verin. Aşırı yüklenmeyin. Aleti uygun olmayan amaçlarla kullanmayın. Aletin doğru kullanılması için kullanım kılavuzuna bakın.

**UYARI!** Duvar, zemin veya tavanda delik açmadan önce kablo ve boruların konumunu kontrol edin.

**Delme derinliğinin ayarlanması (Şekil A)**

Delik derinliğinin uygun olduğundan emin olmak için derinlik çubuğunu kullanın. Yan kolu gevşetin ve derinlik çubuğunu istediğiniz derinliğe göre ayarlayın. Bunları yaptıktan sonra yan kolu sıkın.

- Tutamağı saatin tersi yönde çevirerek yan kolu (9) gevşetin.

- Derinlik çubuğunu (8) istediğiniz konuma ayarlayın. Maksimum delme derinliği, matkap ucunun uç kısmı ile derinlik çubuğunun ön ucu arasındaki mesafeye eşittir.
- Tutamağı saat yönünde çevirerek yan kolu sıkın.

**Açılması ve kapatılması (Şekil A)**

**UYARI!** Fişi takmadan önce değişken hız ayarlı tetiğin serbestçe çalışıp çalışmadığını ve bıraktıktan sonra orijinal konuma dönebileceğini kontrol edin. Aleti açmadan önce kesintisiz çalışma düğmesinin pozisyonunu kontrol edin. Aleti güç kaynağına bağlamadan önce kesintisiz çalışma düğmesinin kapalı olduğundan emin olun.

- Aleti açmak için, değişken hız ayarlı tetiğine (3) basın. Aletin hızı, tetiğe ne kadar bastığınıza bağlıdır.
- Genel kural olarak, büyük çaplı uçlar için düşük hız, küçük çaplı uçlar içinse yüksek hız seçin.
- Sürekli çalışması için kesintisiz çalışma düğmesine (2) basın ve değişken hız ayarlı tetiğini bırakın.
- Aleti kapatmak için, değişken hız ayarlı tetiğini bırakın. Kesintisiz çalışma konumundayken aleti kapatmak için değişken hız ayarlı tetiğine bir kez daha basın ve bırakın.

**UYARI!** Aleti bıraktığınızda veya taşırken, kaldırıırken ve konumunu değiştirirken, aletin kapalı ve fişinin güç kaynağından çekilmiş olduğundan emin olun.

**Mandrenin takılması (SHR243, SHR263-Şekil D)****İlave aksesuar (ambalaja dahil değildir)**

- Aksesuarların takılması talimatlarına göre SDS-Plus sisteme uygun olan mandreni (12) uç tutucuya (7) sokun.
- Mandrenin ön tarafında bulunan kışkaçları gevşetmek için mandreni döndürün, matkap ucunun sapını (13) uç tutucuya sokun ve mandreni ters tarafa döndürün.
- Kışkaçları iyice sıkılamak için ayrıca mandren anahtarını kullanabilirsiniz.



**Uyarı:** Darbeli delme modunda kesinlikle standart mandreni kullanmayın.

**SDS Plus mandrenin anahtarsız mandren ile değiştirilmesi (SHR264 - Şekil G)**

- Sıkma bileziğini (15) açma konuma çevirin ve SDS Plus mandreni (16) çıkartın.
- Anahtarsız mandreni (17) mil üzerine takın ve sıkma bileziğini (15) kapama konuma çevirin.

Anahtarsız mandreni SDS Plus mandren ile değiştirmek için anahtarsız mandreni uç tutucu gibi aynı şekilde çıkartın. Uç tutucuyu anahtarsız mandren gibi aynı şekilde takın ve sabitleme bileziğinin kapama konumunda olduğundan emin olun.



**Uyarı:** Darbeli delme modunda kesinlikle standart mandreni kullanmayın.

**Çalışma modunun seçilmesi (Şekil B)**

Alet aşağıdaki çalışma modlarında kullanılabilir:



**Delme:** çelik, ahşap ve plastikte delik açmak ve vida takmak için.



**Darbeli delme:** beton ve duvar delme uygulamaları için. Kıрма ucu dönme yönü: alet çalışmadığı zaman; düz kıрма ucunu istenilen pozisyona döndürmek için kullanılır.



**Kırma:** hafif kırma uygulamaları için. Bu modda alet aynı zamanda sıkışmış matkap ucunu serbest bırakmak için bir kol olarak da kullanılabilir.

1. Çalışma modunu seçmek için, çalışma modu değiştirme düğmesine (5) basın ve gerekli modun sembolünü işaret edene kadar döndürün.
2. Çalışma modu değiştirme düğmesini bırakın ve yerinde kilitlendiğinden emin olun.



**UYARI!** Alet çalışırken çalışma modunu değiştirmeyin.

**Uygun el pozisyonu (Şekil A, E)**


**UYARI!** Ciddi yaralanma riskini azaltmak için, DAİMA şekilde gösterilen uygun el pozisyonunu kullanın.



**UYARI!** Ciddi yaralanma riskini azaltmak için, ani tepki ihtimaline karşı aleti DAİMA sıkıca tutun.


Doğru el pozisyonu; bir el yan kolun (9), diğer el ana kolun (1) üzerinde olacak şekildedir.

**Darbesiz delme (Şekil B, Şekil D, Şekil C1/C2, Şekil D, Şekil G)**

- Çelik, ahşap ve plastikte delik açmak veya vida takmak için çalışma modu değiştirme düğmesini (5)  konumuna getirin.
- SDS Plus adaptörlü mandreni takın. Alet modeline bağlı olarak, aşağıdaki talimatlardan birini izleyin:  
SHR264: SDS Plus mandreni (16) anahtarsız mandren (17) ile değiştirin.  
SHR243/SHR263: SDS Plus adaptörlü mandreni (12) takın.
- Uygun ucu yerleştirin. Düz başlı vidaları takarken her zaman hassas uç kullanın.
- Çelik, ahşap ve plastiği delmek için ileri/geri seçicisini (4) ileri konumuna getirin (Şekil C1). Aleti tornavida olarak kullanırken vidaları sıkmak için ileri/geri seçicisini (4) ileri konumuna getirin (Şekil C1), vidaları sökmek için ileri/geri seçicisini (4) geri konumuna getirin (Şekil C2).

**UYARI!** Darbeli delme modunda kesinlikle darbesiz delme mandreni kullanmayın.

**Darbeli delme (Şekil B)**

- Duvar ve betonda darbeli delme için çalışma modu değiştirme düğmesini (5)  konumuna getirin.

- Matkap ucu delik üzerine doğru bir konuma yerleştirilmelidir. En iyi sonuçları alabilmek için bundan sonra tetiğe basın. Elektrikli aletin doğru bir şekilde yerleştirilmesi delik sapmasını önler.
- Delik atık veya tozlar ile takıldığında, alete daha fazla baskı uygulamayın. Boşta dönmeye izin verin, sonra yavaş yavaş matkap ucunu delikten dışarı çıkarın. Bu adımları birkaç kez tekrarlayın, tıklmış delik temizlenebilir ve daha sonra normal delmeyi devam edersiniz.

**UYARI!** Matkap ucu beton içindeki çelik mile çarparken elektrikli alet tehlikeli karşı geri tepme gücüne sahip olabilir. Geri tepme tehlikesini önlemek için her zaman dengeli basın, sabit durun ve aleti sıkı tutun.


**Emniyet debriyajı**

Tüm pnömatik matkaplar, matkap ucunun sıkışması durumunda kullanıcıya iletilen maksimum tork tepkimesini düşüren emniyet debriyajı ile donatılmıştır. Bu özellik ayrıca dişliler ve elektrik motorunun sıkışmasını da engeller. Tork sınırlayıcı debriyaj fabrikada ayarlanmış olarak gelir ve sonradan ayarlanamaz.

**Aşırı yük koruması**

Matkap ucu sıkışmış veya takılmış olduğu durumlarda matkap miline geçen itici güç kesilecektir. Kuvvetli geri tepme ortaya çıkar. Bu yüzden çalışan elektrikli aletin iki elle sıkı tutulduğundan ve kullanıcının sabit ve dengeli bir pozisyonunda olduğundan emin olun.

**Kırma (Şekil B)**

- Çalışma modu değiştirme düğmesini (5)  "kırma" konumuna ayarlayın.
- Uygun bir kırıcı ucunu yerleştirin ve konumlardan birine kilitlemek için elle döndürün.
- Yan kolu (9) gerektiği şekilde ayarlayın.
- Aleti çalıştırın ve çalışmaya başlayın.
- Çalışma bittiğinde ve prizden çıkarmadan önce her zaman aleti kapatın.



**UYARI!** Bu aleti kolayca yanabilir veya patlayıcı sıvıları (benzin, alkol, vb) karıştırmak veya pompalamak için kullanmayın. Buna göre etiketlenmiş olan yanıcı sıvıları birleştirmeyin ve karıştırmayın.

**Aksesuarlar**

Aletinizin performansı kullanılan aksesuarla bağlıdır. Stanley aksesuarları, yüksek kalite standartlarına göre üretilmiş ve aletinizin performansını arttıracak şekilde tasarlanmıştır. Bu aksesuarları kullanarak, aletinizden en iyi verimi alacaksınız.

**BAKIM**

STANLEY elektrikli/şarjlı aletiniz minimum bakımla uzun bir süre çalışacak şekilde tasarlanmıştır. Kesintisiz olarak memnuniyet verici bir şekilde çalışması gerekli özenin gösterilmesine ve düzenli temizliğe bağlıdır.



**UYARI!** Yaralanma riskini azaltmak için aksesuarları takıp çıkarmadan önce, ayarlarla oynamadan veya değiştirmeden önce ya da tamir yaparken aleti kapatın ve makineyi güç kaynağından ayırın. Tetik düğmesinin kapalı konumda olduğunu kontrol edin. Aletin yanlışlıkla çalıştırılması yaralanmaya neden olabilir.

- Bu aletin servisi kullanıcı tarafından yapılamaz. Bir sorun çıkarsa, yetkili servisiyle temasa geçin.
- Karbon kömürler yıprandıklarında alet otomatik olarak kapanır.
- **UYARI!** Elektrikli/şarjlı alet üzerinde herhangi bir bakım işlemi gerçekleştirmeden önce:
- Aleti kapatın ve fişten çekin.
- Veya aletin çıkartılabilir aküsü varsa; aleti kapatın ve aküyü aletten çıkartın.
- Or run the battery down completely if it is integral and then switch off.
- Şarj cihazını temizlemeden önce fişten çekin. Şarj cihazınız, düzenli temizlik dışında herhangi bir bakım gerektirmemektedir.
- Regularly clean the ventilation slots in your appliance/ tool/ charger using a soft brush or dry cloth.
- Motor muhafazasını düzenli olarak nemli bir bezle silin. Aşındırıcı veya çözücü bazlı temizleyiciler kullanmayın.
- Mandreni düzenli olarak tamamen açın ve içindeki tozu dökmek için hafifçe vurun (mandren alete takılıysa).

**Yağlama**

Elektrikli aletiniz ek bir yağlama gerektirmemektedir. SDS Plus bağlantılı aksesuarlar ve uçlar düzenli olarak yağlanmalıdır.

**Temizleme**

**UYARI!** Havalandırma deliklerinde ve etrafında toz toplanması halinde bu tozu ve kiri kuru hava kullanarak ana gövdeden uzaklaştırın. Bu işlemi gerçekleştiren onaylı bir göz koruması ve onaylı toz maskesi takın.



**UYARI!** Aletin metalik olmayan parçalarını temizlemek için asla çözücü veya başka sert kimyasal kullanmayın. Bu kimyasallar bu parçalarda kullanılan malzemeleri güçsüzleştirir. Aleti temizlemek için, sadece yumuşak sabun ve nemli bir bez kullanın. Aletin içine sıvı kaçmasına kesinlikle izin vermeyin, aleti benzin ve diğer kimyasal maddeleri kullanarak temizlemeyin ve aletin hiçbir parçasını kesinlikle sıvıya batırmayın.

**İlave Aksesuarlar**

**UYARI!** STANLEY tarafından tedarik veya tavsiye edilenlerin dışındaki aksesuarlar bu ürün üzerinde test edilmediğinden, söz konusu aksesuarların bu aletle birlikte kullanılması tehlikeli olabilir. Yaralanma riskini azaltmak için bu ürünle birlikte sadece STANLEY tarafından tavsiye edilen aksesuarlar kullanılmalıdır.

Bir seçenek olarak çeşitli tiplerde SDS Plus delici uçları ve kırıcı uçları mevcuttur.

Uygun aksesuarlarla ilgili daha ayrıntılı bilgi için bayiinize danışın.

**Çevrenin korunması**

Ayrı olarak atın. Bu ürün, normal evsel atıklarla birlikte atılmamalıdır.

STANLEY ürününüzün değiştirilmesi gerektiğini düşünmeniz veya artık kullanılamaz durumda olması halinde onu, evsel atıklarla birlikte atmayın. Bu ürünü, ayrı olarak toplanacak şekilde atın.



STANLEY, hizmet ömrünün sonuna ulaşan STANLEY ürünlerinin toplanması ve geri dönüşüme sokulması için bir imkân sunmaktadır. Bu hizmetin avantajlarından faydalanmak için, lütfen, ürününüzü bizim adımıza teslim alacak herhangi bir yetkili servise iade edin.

Bu kılavuzda belirtilen listeden size en yakın STANLEY yetkili tamir servisinin yerini öğrenebilirsiniz. Ya da, alternatif olarak internet'ten STANLEY yetkili tamir servislerinin listesini ve satış sonrası hizmetlerimizle ilgili tüm bilgiler ve temas bilgilerine aşağıdaki siteden ulaşabilirsiniz. [www.2helpU.com](http://www.2helpU.com)

**Notlar**

STANLEY olarak, ürünlerimizi sürekli iyileştirme politikası uyguladığımızdan, önceden haber vermeden ürün özelliklerini değiştirme hakkını saklı tutarız.

Standart ekipman ve aksesuarlar ülkeye göre değişebilir. Ürün özellikleri ülkelere göre farklı olabilir.

Komple ürün çeşidi tüm ülkelerde geçerli olmayabilir. Ürün çeşidi durumu hakkında lütfen en yakın STANLEY yetkili servisiyle temasa kurun.



**TEKNİK ÖZELLİKLERİ**

PNÖMATİK MATKAP		SHR243	SHR263	SHR264
Voltaj	V	220-240	220-240	220-240
Frekans	Hz	50/60	50/60	50/60
Giriş gücü	W	780	800	800
Darbe oranı	darbe/dak	0-1250	0-1150	0-1250
Impact rate	bpm	0-4670	0-4300	0-4670
Tek darbe gücü (EPTA)	J	2,2/3,1	2,4/3,4	2,4/3,4
Çalışma modları		3	3	3
Maks. delme kapasitesi	mm			
- Beton		24	26	26
- Çelik		13	13	13
- Ahşap		30	30	30
Ağırlık	kg	2,6	2,6	2,7

**SHR243****EN 60745'e göre ses basıncı düzeyi:**Ses basıncı ( $L_{pA}$ ) 92,5 dB(A), belirsizlik (K) 3 dB(A)Akustik güç ( $L_{WA}$ ) 103,5 dB(A), belirsizlik (K) 3 dB(A)**Titreşim emisyon değeri ah:**ah, Cheq= $m/s^2$  16,3ah, HD= $m/s^2$  17,2Belirsizlik K =  $m/s^2$  1,5**SHR263, SHR264****EN 60745'e göre ses basıncı düzeyi:**Ses basıncı ( $L_{pA}$ ) 97,0 dB(A), belirsizlik (K) 3 dB(A)Akustik güç ( $L_{WA}$ ) 108,0 dB(A), belirsizlik (K) 3 dB(A)**Titreşim emisyon değeri ah:**ah, Cheq= $m/s^2$  17,6ah, HD= $m/s^2$  17,4Belirsizlik K =  $m/s^2$  1,5**Titreşim**

Teknik veriler ve uygunluk beyanati içerisinde belirtilen titreşim emisyon değerleri EN60745 tarafından belirlenen standart bir test yöntemine uygun olarak ölçülmektedir ve diğer bir aletle karşılaştırma yaparken kullanılabilir. Beyan edilen titreşim emisyon değeri aynı zamanda maruz kalmanın önceden değerlendirilmesinde de kullanılabilir

**Uyarı!** Elektrikli aletin mevcut kullanımı sırasındaki titreşim

emisyon değeri, aletin kullanım yöntemine bağlı olarak, beyan edilen değere göre farklılık sergileyebilir. Titreşim düzeyi belirlenen seviyenin üzerinde artış gösterebilir."

İşyerinde düzenli olarak elektrikli alet kullanan çalışanları korumak amacıyla 2002/44/EC tarafından getirilen elektrik güvenliği önlemlerini belirlemek üzere titreşime maruz kalmayı değerlendirirken, çalışma döngüsü içerisinde örneğin aletin kapalı olduğu ve aktif durumda olmasının yanı sıra boşta çalıştığı zamanlar gibi, bütün zaman dilimleri dahil olmak üzere mevcut kullanım durumu ve aletin kullanım şekli göz önünde bulundurularak değerlendirilmelidir.

**Servis bilgileri**

STANLEY kendisine ait servis merkezleri ve/veya yetkili servisleriyle tam bir ağ sunmaktadır. Tüm STANLEY Servis Merkezleri müşterilere etkili ve güvenilir elektrikli el aleti hizmeti sunmak için eğitimli personel ile donatılmıştır. Eğer teknik danışmanlık, onarım veya orijinal fabrika yedek parçası ihtiyacınız varsa, size en yakın STANLEY merkezine başvurun.

**AT Uygunluk Beyanatı**  
MAKİNE DİREKTİFİ



**SHR243-SHR263-SHR264 – Pnömatik Matkap**

STANLEY, «teknik özellikleri» bölümünde açıklanan bu ürünlerin aşağıda belirtilen yönergelere uygun olduğunu beyan eder: 2006/42/EC, EN 60745-1:2009 + A11:2010, EN 60745-2-1:2010, EN 60745-2-6:2010

Bu ürünler ayrıca 2004/108/EC, 2014/30/EU ve 2011/65/EU Direktiflerine de uygundur.

Daha fazla bilgi için, lütfen aşağıdaki adresten STANLEY ile irtibata geçin veya kılavuzun arkasına bakın. Bu belge altında imzası bulunan yetkili, teknik dosyanın derlenmesinden sorumludur ve bu beyanı STANLEY adına vermiştir.

**R.Laverick**

Mühendislik Bölümü Müdürü  
STANLEY Europe, Egide Walschaertsstraat 14-18,  
2800 Mechelen, Belçika  
06.2017

**İki yıl garanti**

Sahip olduğunuz STANLEY ürünü satın alma tarihinden itibaren 24 ay içinde hatalı malzeme veya işçilik nedeniyle bozulursa, STANLEY aşağıdaki şartlara uyulması koşuluyla ücretsiz olarak tüm kusurlu parçaların yenilenmesini veya -kendi inisiyatifine bağlı olarak- satın alınan ürünün değiştirilmesini garanti eder:

- Ürün, hatalı kullanılmamış kullanım kılavuzuna uygun kullanılmıştır.
- Ürün yıpranmamış, hırpalanmamış ve aşınmamıştır;
- Yetkili olmayan kişilerce tamire çalışılmamıştır.
- Satın alma belgesi (fatura) ibraz edilmiştir;
- STANLEY ürünü, tüm orijinal parçaları ile birlikte iade edilmiştir;
- Ürün kiralama amacıyla kullanılmamıştır.

Garanti talebinde bulunmak için, lütfen satıcıyla irtibata geçin veya STANLEY katalogunda belirtilen size en yakın STANLEY yetkili satıcı adresini kontrol edin veya ürünün kılavuzunda belirtilen adresteki yerel STANLEY yetkili tamir servisi ile temas kurun. İnternet'ten STANLEY yetkili tamir servislerinin listesine ve satış sonrası hizmetlerimizle ilgili tüm bilgilerine aşağıdaki siteden ulaşabilirsiniz: [www.2helpU.com](http://www.2helpU.com)

Sanayi ve Ticaret Bakanlığı tebliğince kullanım ömrü 7 yıldır.

Türkiye Distribütörü  
STANLEY BLACK&DECKER TURKEY ALET ÜRETİM SAN.  
TIC. LTD.STİ.

Kozyatağı Mh Değirmen Sk. Nida Kule  
No:18 Kat:6 34742 Kadıköy İstanbul  
Tel : (0216) 665 29 00  
Faks : (0216) 665 29 01  
E-posta: [info-tr@sbdinc.com](mailto:info-tr@sbdinc.com)

## Назначение

Ваш перфоратор STANLEY SHR243, SHR263, SHR264 SDSPlus предназначен для сверления отверстий в бетоне, кирпиче, древесине и стали, для лёгких работ по долблению, а также для сверления с использованием коронок с карбидными напайками и заворачивания. Данный инструмент предназначен для профессионального использования.

## ИНСТРУКЦИИ ПО ТЕХНИКЕ БЕЗОПАСНОСТИ

### Общие правила безопасности при работе с электроинструментами



**ВНИМАНИЕ!** Внимательно прочтите все инструкции по безопасности и руководство по эксплуатации. Несоблюдение всех перечисленных ниже правил безопасности и инструкций может привести к поражению электрическим током, возникновению пожара и/или получению тяжёлой травмы.

**Сохраните все инструкции по безопасности и руководство по эксплуатации для их дальнейшего использования.** Термин «Электроинструмент» во всех приведённых ниже указаниях относится к Вашему сетевому (с кабелем) или аккумуляторному (беспроводному) электроинструменту.

#### 1. Безопасность рабочего места

- a. **Содержите рабочее место в чистоте и хорошо освещённым.** Беспорядок на рабочем месте или отсутствие освещения рабочего места может привести к аварии.
- b. **Не работайте с электроинструментом в месте хранения взрывоопасных материалов, например, в присутствии огнеопасных жидкостей, газов или пыли.** Электрические инструменты создают искры, которые могут воспламенить пыль или пары.
- c. **Дети и посторонние лица должны находиться как можно дальше во время работы с электроинструментом.** Вы можете отвлечься и потерять контроль.

#### 2. Электробезопасность

- a. **Вилка электроинструмента должна соответствовать розетке. Никогда не модифицируйте вилку каким-либо образом. Не используйте никакие вилки-переходники с заземлёнными (замкнутыми на землю) электроинструментами. Вилки и розетки, которые не подвергались никаким изменениям снижают риск поражения электрическим током.**
- b. **Избегайте контакта тела с заземлёнными поверхностями, такими как трубы, радиаторы, плиты и холодильники.** Существует повышенный риск поражения электрическим током, если ваше тело заземлено.

- c. **Избегайте любого воздействия дождя или влаги на электроинструменты.** Вода, попавшая в электроинструмент, увеличивает риск поражения электрическим током.
- d. **Аккуратно обращайтесь со шнуром питания. Никогда не используйте шнур питания для переноски, перемещения или извлечения вилки из розетки. Держите шнур вдали от источников тепла, масла, острых краёв или движущихся частей.** Поврежденные или запутанные шнуры увеличивают риск поражения электрическим током.
- e. **При работе с электроинструментом на улице, используйте удлинитель, подходящий для наружного использования.** Использование кабеля, пригодного для использования на открытом воздухе, снижает риск поражения электрическим током.
- f. **При необходимости работы с электроинструментом во влажной среде, используйте устройство защитного отключения (УЗО).** Использование УЗО снижает риск поражения электрическим током. ПРИМЕЧАНИЕ: Термин «устройство защитного отключения (УЗО)» может быть заменён на «аварийный прерыватель заземления» или «автоматический выключатель тока утечки».

#### 3. Личная безопасность

- a. **Будьте внимательны, смотрите, что вы делаете, используйте здравый смысл при работе с электроинструментом. Не используйте электроинструмент, если вы устали или находитесь под влиянием наркотиков, алкоголя или лекарств.** Малейшая неосторожность при работе с электроинструментом может привести к серьёзным травмам.
- b. **Используйте средства индивидуальной защиты. Всегда надевайте защитные очки. Другое защитное оборудование, включая респиратор, ботинки на нескользящей подошве, защитный шлем или средства защиты органов слуха, используемые в надлежащих условиях, уменьшат риск получения травмы.**
- c. **Для предотвращения случайного запуска, убедитесь, что переключатель находится в выключенном положении перед подключением к источнику питания и/или аккумуляторной батарее, поднятия или переноски инструмента.** Не переносите электроинструмент с пальцем на выключателе и не включайте питание на инструмент с включённым выключателем, что может привести к несчастному случаю.
- d. **Перед включением электроинструмента снимайте регулировочный или гаечный ключ.** Гаечный или регулировочный ключ, оставленный на вращающейся части электроинструмента, может привести к травме.

- e. **Не тянитесь.** Сохраняйте правильную стойку и баланс все время. Это позволяет лучше контролировать инструмент в неожиданных ситуациях.
- f. **Одевайтесь правильно.** Не надевайте свободную одежду или украшения. Держите волосы, одежду и перчатки вдали от движущихся частей. Свободная одежда, украшения или длинные волосы могут попасть в движущиеся части.
- g. **Если имеются устройства для подключения пылесборника или вытяжки, убедитесь в том, что они подсоединены и используются правильно.** Использование пылесборника снижает вероятность возникновения рисков, связанных с пылью.
- 4. Использование и уход за электроинструментом**
- a. **Не перегружайте электроинструмент. Используйте подходящий электрический инструмент для соответствующего применения.** Правильно подобранный электроинструмент позволит выполнить работу лучше и безопаснее при скорости, для которой он был разработан.
- b. **Не используйте электроинструмент, если переключатель не может его включить и выключить.** Любой электроинструмент, который нельзя контролировать с помощью переключателя, опасен и должен быть отремонтирован.
- c. **Отключите кабель питания от источника питания и/или аккумуляторный блок от электрического инструмента перед выполнением любых регулировок, замены принадлежностей или при хранении электроинструмента.** Такие профилактические меры безопасности уменьшают риск непреднамеренного запуска электрического инструмента.
- d. **Храните неиспользуемые электроинструменты в недоступном для детей месте и не позволяйте лицам, не знакомым с электроинструментом или данными инструкциями, работать с электроинструментом.** Электроинструменты опасны в руках неопытных пользователей.
- e. **Поддержание электроинструмента. Проверяйте разрегулированность или соединение подвижных частей, поломки частей и любые другие условия, которые могут повлиять на работу электроинструмента. При наличии повреждения, отремонтируйте электроинструмент перед использованием.** Многие несчастные случаи являются следствием плохого ухода за электроинструментом.
- f. **Держите режущий инструмент острым и чистым.** Хорошо ухоженный режущий инструмент с острыми режущими кромками легче контролировать.
- g. **Используйте электроинструмент, принадлежности, насадки и т.д. в соответствии с**

этим инструментами, принимая во внимание рабочие условия и характер выполняемой работы. Использование электроинструмента иным способом может привести к опасным ситуациям.

## 5. Обслуживание

- a. **Обеспечьте, чтобы обслуживание и ремонт вашего электроинструмента проводился в авторизованном сервисном центре по ремонту с использованием только оригинальных запасных частей.** Это станет гарантией безопасности электроинструмента.

## ПРАВИЛА БЕЗОПАСНОСТИ ПРИ РАБОТЕ ПЕРФОРАТОРАМИ

- **Надевайте защитные наушники.** Воздействие шума может привести к потере слуха.
- **При работе пользуйтесь дополнительными рукоятками, если они прилагаются к инструменту.** Потеря контроля над инструментом может привести к получению тяжелой травмы.
- **Держите инструмент за изолированные ручки при выполнении операций, во время которых режущий инструмент может соприкасаться со скрытой проводкой или собственным кабелем.** Контакт насадки с находящимся под напряжением проводом делает не покрытые изоляцией металлические части электроинструмента также «живыми», что создаёт опасность поражения оператора электрическим током.
- **Никогда не используйте долото в режиме вращения.** Насадка может застрять в материале, заставив перфоратор вращаться.
- **Используйте струбцины или другие приспособления для фиксации обрабатываемой детали, устанавливая их только на неподвижной поверхности.** Если держать обрабатываемую деталь руками или с упором в собственное тело, то можно потерять контроль над инструментом или обрабатываемой деталью.
- **Прежде чем сверлить отверстия в стенах, полах или потолках, проверьте наличие электропроводки и трубопроводов.**
- **Во избежание получения ожога не дотрагивайтесь до сверла сразу же после окончания сверления.**
- **Назначение инструмента описывается в данном руководстве по эксплуатации. Использование любых принадлежностей или приспособлений, а также выполнение данным инструментом любых видов работ, не рекомендованных данным руководством по эксплуатации, может привести к несчастному случаю и/или повреждению личного имущества.**

**Примечание:** Напряжение сети: Перед подключением к сети необходимо проверить, совпадает ли напряжение сети с напряжением Вашего электроинструмента. Если напряжение сети превышает напряжение, указанное на электроинструменте, оператор может получить тяжёлую травму в результате несчастного случая, а инструмент может быть повреждён. Если же напряжение сети ниже напряжения, требуемого инструментом, это может привести к повреждению двигателя. Таким образом, если проверить напряжение не представляется возможным, запрещается подключать инструмент к источнику электропитания.

### ОСТАТОЧНЫЕ РИСКИ

При работе данным инструментом возможно возникновение дополнительных остаточных рисков, которые не вошли в описанные здесь правила техники безопасности. Эти риски могут возникнуть при неправильном или продолжительном использовании изделия и т.п. Несмотря на соблюдение соответствующих инструкций по технике безопасности и использование предохранительных устройств, некоторые остаточные риски невозможно полностью исключить. К ним относятся:

- Травмы в результате касания вращающихся/двигающихся частей инструмента.
- Риск получения травмы во время смены деталей или насадок.
- Риск получения травмы, связанный с продолжительным использованием инструмента. При использовании инструмента в течение продолжительного периода времени делайте регулярные перерывы в работе.
- Ухудшение слуха.
- Ущерб здоровью в результате вдыхания пыли в процессе работы с инструментом (например, при обработке древесины, в особенности, дуба, бука и ДВП).

### БЕЗОПАСНОСТЬ ПОСТОРОННИХ ЛИЦ

- Данный инструмент не может использоваться людьми (включая детей) со сниженными физическими, сенсорными и умственными способностями или при отсутствии необходимого опыта или навыка, за исключением, если они выполняют работу под присмотром или получили инструкции относительно работы с этим инструментом от лица, отвечающего за их безопасность.
- Не позволяйте детям играть с электроинструментом.

### МАРКИРОВКА ИНСТРУМЕНТА

Помимо кода даты на инструменте имеются следующие знаки:

	<b>ВНИМАНИЕ!</b> Полное ознакомление с руководством по эксплуатации перед использованием инструмента снизит риск получения травмы.		
	Используйте средства защиты органов слуха.		
	Надевайте защитные очки или маску.		
V	Вольт	===	Постоянный ток
A	Ампер	$I_0$	Скорость без нагрузки
Hz	Герц		Конструкция Класса II
W	Ватт		Клемма заземления
min	минут		Символ опасности
	Переменный ток	/min.	Кол-во оборотов или шагов в минуту

### Место положения кода даты (Рис. А)

Код даты (10), который также включает в себя год изготовления, отштампован на поверхности корпуса инструмента.

Пример:

2017 XX JN  
Год изготовления

### КОМПЛЕКТ ПОСТАВКИ

В упаковке входят:

- 1 Перфоратор SDS Plus
  - 1 Боковая рукоятка
  - 1 Ограничитель глубины сверления
  - 1 Чемодан
  - 1 Патрон (Дополнительная принадлежность)
  - 1 Насадка (Дополнительная принадлежность)
  - 1 Руководство по эксплуатации
  - 1 Пылесборник
  - 1 Быстрозажимной патрон (SHR264)
- Проверьте инструмент, детали и дополнительные приспособления на наличие повреждений, которые могли произойти во время транспортировки.
  - Перед началом работы необходимо внимательно прочитать настоящее руководство и принять к сведению содержащуюся в нем информацию.

### ЭЛЕКТРОБЕЗОПАСНОСТЬ



Данный инструмент защищён двойной изоляцией, что исключает потребность в заземляющем проводе. Следите за напряжением электрической сети, оно должно соответствовать величине, обозначенной на информационной табличке инструмента.



Во избежание несчастного случая, замена повреждённого кабеля питания должна производиться только на заводе-изготовителе или в авторизованном сервисном центре STANLEY Black & Decker.

### ИСПОЛЬЗОВАНИЕ УДЛИНИТЕЛЬНОГО КАБЕЛЯ

При необходимости использования удлинительного кабеля, используйте только утверждённые кабели промышленного изготовления, рассчитанные на мощность не меньшую, чем потребляемая мощность данного инструмента. Минимальный размер проводника должен составлять 1.5 мм<sup>2</sup>. При использовании кабельного барабана, всегда полностью разматывайте кабель.

Поперечное сечение проводника (мм <sup>2</sup> )	Номинальный ток кабеля (Ампер)
0,75	6
1,00	10
1,50	15
2,50	20
4,00	25

Длина кабеля (м)						
	7,5	15	25	30	45	60

Напряжение	Ампер	Номинал кабеля (Ампер)					
110-127	0 - 2,0	6	6	6	6	6	10
	2,1 - 3,4	6	6	6	6	15	15
	3,5 - 5,0	6	6	10	15	20	20
	5,1 - 7,0	10	10	15	20	20	25
	7,1 - 12,0	15	15	20	25	25	-
220-240	12,1 - 20,0	20	20	25	-	-	-
	0 - 2,0	6	6	6	6	6	6
	2,1 - 3,4	6	6	6	6	6	6
	3,5 - 5,0	6	6	6	6	10	15
	5,1 - 7,0	10	10	10	10	15	15
	7,1 - 12,0	15	15	15	15	20	20
	12,1 - 20,0	20	20	20	20	25	-

### ОПИСАНИЕ (Рис. А, Рис.В, Рис. С, Рис. D, Рис. F, FIG. G)

Данный инструмент может содержать все или некоторые из перечисленных ниже составных частей:

1. Основная рукоятка

2. Кнопка блокировки пускового выключателя
3. Курковый пусковой выключатель с регулировкой скорости
4. Переключатель направления вращения (реверса)
5. Переключатель режимов работы
6. Зажимное кольцо
7. Держатель насадки
8. Ограничитель глубины сверления
9. Боковая рукоятка
10. Код даты
11. Насадка SDS Plus
12. Патрон
13. Сверло
14. Пылесборник
15. Кольцо фиксации насадки
16. Патрон SDS Plus
17. Быстрозажимной патрон

### СБОРКА

**ВНИМАНИЕ!** Перед началом сборки убедитесь, что инструмент выключен и отсоединён от электросети.

#### Установка боковой рукоятки (Рис. А)

**ВНИМАНИЕ!** При использовании инструмента всегда устанавливайте боковую рукоятку (9) в целях личной безопасности.

Боковая рукоятка может быть установлена так, чтобы создать удобство для пользователей как с правой, так и с левой рабочей рукой.

- Поворачивайте ручку в направлении против часовой стрелки до тех пор, пока боковая рукоятка не надвинется на свое посадочное место на корпусе электроинструмента.
- Повернув боковую рукоятку, установите её в необходимое положение.
- Затяните боковую рукоятку, поворачивая её ручку в направлении по часовой стрелке.

**ВНИМАНИЕ!** При использовании инструмента всегда правильно устанавливайте боковую рукоятку.

#### Установка насадки (Рис. А)

- Очистите и смажьте хвостовик (15) насадки SDS Plus.
- Вставьте хвостовик насадки в держатель (7).
- Нажимайте и поворачивайте насадку, чтобы хвостовик вошел в шлицы.
- Проверьте надёжность фиксации насадки в патроне. Для выполнения сверления и ударного сверления насадка, установленная в держатель, должна иметь некоторую свободу перемещения в продольном направлении в пределах нескольких сантиметров.
- Для извлечения насадки оттяните зажимное кольцо (6) и вытяните насадку из держателя.

## Установка пылесборника (Рис. F)

- Вставьте насадку SDS Plus (11) в пылесборник (14), затем вставьте насадку (11) с пылесборником в держатель насадки (7).
- Устанавливайте пылесборник только при использовании инструмента для сверления в положении над головой (Рис. F).

## ЭКСПЛУАТАЦИЯ

**ВНИМАНИЕ!** Всегда надевайте перчатки при смене насадок. Открытые металлические поверхности электроинструмента и насадки в процессе работы сильно нагреваются. Используйте инструмент только под нормальной нагрузкой. Избегайте перегрузки инструмента. Бережно обращайтесь с инструментом. В целях правильного использования, перед эксплуатацией прочтите руководство.

**ВНИМАНИЕ!** Прежде чем сверлить отверстия в стенах, полах или потолках, проверьте наличие электропроводки и трубопроводов.

## Настройка глубины сверления (Рис. А)

Ограничитель глубины сверления обеспечивает равномерность глубины высверливаемых отверстий. Ослабьте боковую рукоятку и установите ограничитель на требуемую глубину сверления. Затяните боковую рукоятку.

- Ослабьте боковую рукоятку (9), поворачивая её ручку в направлении против часовой стрелки.
- Установите ограничитель глубины сверления (8) на необходимую глубину. Максимальная глубина сверления равна расстоянию между острием сверла и передним торцом ограничителя глубины сверления.
- Затяните боковую рукоятку, поворачивая её ручку в направлении по часовой стрелке.

## Включение и выключение (Рис. А)

**ВНИМАНИЕ!** Перед подключением инструмента к источнику питания убедитесь, что выключатель с регулировкой скорости работает без помех и при отпуске свободно возвращается в исходное положение. Перед включением инструмента убедитесь, что задействована кнопка блокировки пусковой выключателя; перед подключением инструмента к источнику питания убедитесь, что функция блокировки выключателя отключена.

- Чтобы включить инструмент, нажмите на курковый пусковой выключатель с регулировкой скорости (3). Скорость инструмента зависит от глубины нажатия на курковый выключатель.
- Принято использовать малые частоты вращения для свёрл большого диаметра и, соответственно, большие

частоты вращения для свёрл малого диаметра.

- Для непрерывного режима работы нажмите кнопку блокировки пускового выключателя (2) и отпустите курковый инструмент, отпустите курковый пусковой выключатель. Для выключения непрерывного режима работы инструмента снова нажмите на курковый пусковой выключатель и отпустите.

**ВНИМАНИЕ!** При оставлении инструмента, его поднятии, переноске, перевозке или изменении его положения убедитесь, что инструмент выключен и отсоединён от электросети.

## Установка патрона (SHR243, SHR263 - Рис. D)

**Дополнительная принадлежность (не входит в комплект поставки)**

- Вставьте в держатель (7) патрон, соответствующий системе SDS-Plus (12), согласно с инструкциями по установке насадок.
- Поверните патрон, чтобы ослабить зажим в передней части держателя насадок, вставьте в зажим хвостовик насадки (13) и поверните патрон в обратном направлении.
- Вы также можете использовать патрон, чтобы затянуть зажим.



**Внимание:** Ни в коем случае не используйте стандартные патроны в режиме сверления с ударом.

## Замена патрона SDS Plus на быстрозажимной патрон (SHR264 - Рис. G)

- Поверните кольцо фиксации насадки (15) в положение разблокировки и снимите патрон SDS Plus (16).
- Надвиньте быстрозажимной патрон (17) на шпindel и поверните кольцо фиксации насадки (15) в положение блокировки.

Для замены быстрозажимного патрона на патрон SDS Plus, сначала снимите быстрозажимной патрон таким же образом, как был снят патрон. Затем установите патрон таким же образом, каким был установлен быстрозажимной патрон, и поверните зажимное кольцо в положении блокировки.



**Внимание:** Ни в коем случае не используйте стандартные патроны в режиме сверления с ударом.

## Выбор режима работы (Рис. B)

Перфоратор может использоваться в следующих режимах работы:



**Сверление без удара:** для заворачивания саморезов и сверления в металле, дереве и пластике.



**Сверление с ударом:** для сверления в бетоне и кирпичной кладке. Поворот насадки: нерабочий режим, используется только для установки плоского долота в заданное положение.



**Долбление только:** для лёгких работ по дроблению и долблению. В этом режиме перфоратор может использоваться в качестве рычага для извлечения застрявшего бура.

1. Для установки режима работы, надавите на переключатель (5) режимов и поворачивайте его, пока стрелка не укажет на символ заданного режима.
2. Отпустите переключатель режимов и убедитесь, что он зафиксирован на месте.



**ВНИМАНИЕ!** Не устанавливайте рабочий режим в процессе работы инструмента.

### Правильное положение рук во время работы (Рис. А, F)




**ВНИМАНИЕ!** Для уменьшения риска получения тяжёлой травмы, ВСЕГДА правильно удерживайте электроинструмент, как показано на рисунке.



**ВНИМАНИЕ!** Для уменьшения риска получения тяжёлой травмы ВСЕГДА надёжно удерживайте инструмент, предупреждая внезапные сбои в работе.


Правильное положение рук во время работы: одной рукой возьмитесь за боковую рукоятку (9), другой рукой удерживайте основную рукоятку (1).

### Сверление (Рис. В, Рис. D, Рис. C1/C2, Рис. D, Рис. G)

- Для сверления в металле, древесине и пластиках, а также для заворачивания саморезов установите переключатель режимов работы (5) в  положение
- Установите сборный патрон. В зависимости от модели Вашего инструмента, следуйте инструкциям: SHR264: Замените патрон SDS Plus (16) на быстрозажимной патрон (17). SHR243/SHR263: Установите сборный патрон (12).
- Вставьте соответствующую насадку. При заворачивании саморезов со шлицевой головкой, всегда используйте насадки с направляющей.
- Для сверления в металле, древесине и пластиках установите переключатель направления вращения (4) в переднее положение (Рис. C1). Для использования инструмента для заворачивания саморезов устанавливайте переключатель направления вращения (4) в переднее положение (Рис. C1); для выкручивания саморезов устанавливайте переключатель направления вращения (4) в положение реверса (Рис. C2).

**ВНИМАНИЕ!** Ни в коем случае не используйте стандартные патроны в режиме сверления с ударом.

### Сверление с ударом (Рис. В)

- Для сверления в кирпичной кладке и бетоне установите переключатель режимов сверления (5) в позицию .
- Сверло должно быть помещено точно в точку сверления. После этого нажмите на курковый выключатель. Чтобы предотвратить отклонение сверла от высверливаемого отверстия, убедитесь, что Вы удерживаете дрель в правильном положении
- При забивании высверливаемого отверстия отходами или пылью не прилагайте к инструменту чрезмерное давление. Перед извлечением сверла из отверстия дайте инструменту поработать без нагрузки. Повторите эти действия несколько раз, забившееся отверстие прочистится, и Вы сможете закончить сверление.

**ВНИМАНИЕ!** При касании насадкой стальной арматуры в бетоне может произойти опасная отдача. Для предотвращения опасности обратного удара всегда крепко удерживайте инструмент и сохраняйте устойчивое и сбалансированное положение.


### Предохранительная муфта

Все перфораторы оборудованы встроенной предохранительной муфтой, которая снижает реакцию от крутящего момента, действующую на оператора при заклинивании бура. Это устройство также предотвращает останов трансмиссии и электродвигателя. Муфта предельного момента установлена на заводе-изготовителе и не может регулироваться в дальнейшем.

### Муфта предохранения от перегрузки

При застревании или защемлении сверла, подача движущей силы к шпинделю будет прекращена. Это может привести к образованию сильного обратного удара, поэтому при работе необходимо всегда крепко удерживать инструмент обеими руками и сохранять устойчивое положение.

### Дробление и долбление (Рис. В)

- Установите переключатель режимов (5) в  положение «долбление только».
- Вставьте соответствующее долото и поверните его рукой для фиксации в одной из позиций.
- Отрегулируйте положение боковой рукоятки (9).
- Включите электроинструмент и начинайте работать.
- Всегда выключайте электроинструмент после окончания работы и перед отключением от электросети.





**ВНИМАНИЕ!** Не используйте этот электроинструмент для смешивания или подкачивания легковоспламеняющихся или взрывоопасных жидкостей (бензина, спирта и пр.). Не смешивайте и не перемешивайте воспламеняющиеся жидкости, отмеченные соответствующим предупреждающим знаком.

## Дополнительные принадлежности

Производительность Вашего электроинструмента напрямую зависит от используемых принадлежностей. Принадлежности Stanley изготовлены в соответствии с самыми высокими стандартами качества и способны увеличить производительность вашего электроинструмента. Используя эти принадлежности, Вы достигнете наилучших результатов в работе.

## ТЕХНИЧЕСКОЕ ОБСЛУЖИВАНИЕ

Ваш электрический/аккумуляторный инструмент STANLEY рассчитан на работу в течение продолжительного времени при минимальном техническом обслуживании. Срок службы и надёжность инструмента увеличивается при правильном уходе и регулярной чистке.



**ВНИМАНИЕ:** Во избежание травмы, выключите инструмент и отсоедините его от источника электропитания, прежде чем устанавливать и демонтировать принадлежности, выполнять или изменять настройки, а также перед проведением ремонта. Убедитесь, что курковый переключатель находится в положении ВЫКЛ. Непреднамеренный запуск инструмента может привести к получению травмы.

- Данный инструмент не обслуживается пользователем. В случае возникновения проблем до истечения указанного срока, обращайтесь в авторизованный сервисный центр.
- Электроинструмент автоматически выключается в случае износа угольных щеток.
- **ВНИМАНИЕ!** Перед проведением технического обслуживания электрического/аккумуляторного инструмента:
- Выключите инструмент и отключите его от источника питания.
- Или выключите инструмент и извлеките из него аккумулятор, если инструмент оснащён съёмным аккумулятором.
- В случае наличия встроенного аккумулятора, полностью разгрузите аккумулятор и выключите инструмент.
- Перед чисткой зарядного устройства отключите его от источника питания. Ваше зарядное устройство не

требует никакого дополнительного технического обслуживания, кроме регулярной чистки.

- Регулярно очищайте вентиляционные отверстия инструмента/зарядного устройства мягкой щёткой или сухой тканью.
- Регулярно очищайте корпус двигателя влажной тканью. Не используйте абразивные чистящие средства, а также чистящие средства на основе растворителей.
- Регулярно раскрывайте патрон (при наличии) и встряхивайте из него всю накопившуюся пыль.



## Смазка

Ваш электроинструмент не требует дополнительной смазки. Хвостовики использующихся в работе насадок SDS Plus необходимо регулярно очищать и смазывать.



## Чистка

**ВНИМАНИЕ!** Выдувайте грязь и пыль из корпуса сухим сжатым воздухом по мере видимого скопления грязи внутри и вокруг вентиляционных отверстий. Выполняйте данную процедуру, надев средство защиты глаз и респиратор утверждённого типа.



**ВНИМАНИЕ!** Никогда не используйте растворители или другие агрессивные химические средствами для очистки неметаллических деталей инструмента. Эти химикаты могут ухудшить свойства материалов, применённых в данных деталях. Для чистки инструмента используйте только слабый мыльный раствор и влажную ткань. Не допускайте попадания какой-либо жидкости внутрь инструмента; ни в коем случае не погружайте какую-либо часть инструмента в жидкость.

## Дополнительные принадлежности



**ВНИМАНИЕ!** Поскольку принадлежности, отличные от тех, которые предлагает STANLEY, не проходили тесты на данном изделии, то использование этих принадлежностей может привести к опасной ситуации. Во избежание риска получения травмы, с данным продуктом должны использоваться только дополнительные принадлежности, рекомендованные STANLEY.

Различные типы свёрл и долот SDS Plus можно приобрести дополнительно.

По вопросу приобретения дополнительных принадлежностей обращайтесь к Вашему дилеру.

## Защита окружающей среды



Раздельный сбор. Данное изделие нельзя утилизировать вместе с обычными бытовыми отходами.

Если однажды Вы захотите заменить Ваш электроинструмент STANLEY, или Вы больше в нем не нуждаетесь, не выбрасывайте его вместе с бытовыми отходами. Отнесите изделие в специальный приемный пункт.



Фирма STANLEY обеспечивает прием и переработку отслуживших свой срок изделий STANLEY. Чтобы воспользоваться этой услугой,

Вы можете сдать Ваше изделие в любой авторизованный сервисный центр, который собирает их по нашему поручению. Вы можете узнать место нахождения Вашего

ближайшего авторизованного сервисного центра, обратившись в Ваш местный офис STANLEY по адресу, указанному в данном руководстве по эксплуатации. Кроме того, список авторизованных сервисных центров STANLEY и полную информацию о нашем послепродажном обслуживании и контактах Вы можете найти в интернете по адресу: [www.2helpU.com](http://www.2helpU.com).

## Примечания

Политика STANLEY нацелена на постоянное усовершенствование нашей продукции, поэтому фирма оставляет за собой право изменять технические характеристики изделий без предварительного уведомления. Стандартное оборудование и дополнительные принадлежности могут меняться в зависимости от страны продаж.

Технические характеристики продуктов могут различаться в зависимости от страны продаж.

Полная линия продуктов присутствует на рынках не всех стран.

Для получения информации касательно линии продуктов в Вашей стране обратитесь в ближайший сервисный центр STANLEY.

## Технические характеристики

ПЕРФОРАТОР		SHR243	SHR263	SHR264
Напряжение	В	220-240	220-240	220-240
Частота	Гц	50/60	50/60	50/60
Потребляемая мощность	Вт	780	800	800
Число оборотов без нагрузки	мин.	0-1250	0-1150	0-1250
Кол-во ударов в минуту	уд./мин.	0-4670	0-4300	0-4670
Энергия удара (ЕРТА / Макс)	Дж	2,2/3,1	2,4/3,4	2,4/3,4
Режимы работы		3	3	3
Максимальный диаметр сверления:	мм			
- Бетон		24	26	26
- Металл		13	13	13
- Древесина		30	30	30
Вес	кг	2,6	2,6	2,7

## Информация по техническому обслуживанию

STANLEY имеет обширную сеть принадлежащих компании и/или авторизованных сервисных центров по всей стране. В целях предоставления клиентам эффективного и надёжного технического обслуживания электроинструментов во всех сервисных центрах STANLEY работает обученный персонал. Если Вы нуждаетесь в технической консультации, ремонте или покупке оригинальных запасных частей, обратитесь в ближайший к Вам сервисный центр STANLEY.

# STANLEY

## Гарантийные условия

### Уважаемый покупатель!

1. Поздравляем Вас с покупкой высококачественного изделия STANLEY и выражаем признательность за Ваш выбор.
2. При покупке изделия требуйте проверки его комплектности и исправности в Вашем присутствии, инструкцию по эксплуатации и заполненный гарантийный талон на русском языке.  
В гарантийном талоне должны быть внесены: модель, дата продажи, серийный номер, дата производства инструмента; название, печать и подпись торговой организации. При отсутствии у Вас правильно заполненного гарантийного талона, а также несоответствия указанных в нем данных мы будем вынуждены отклонить Ваши претензии по качеству данного изделия.
3. Во избежание недоразумений убедительно просим Вас перед началом работы с изделием внимательно ознакомиться с инструкцией по его эксплуатации. Правовой основой настоящих гарантийных условий является действующее Законодательство. Гарантийный срок на данное изделие составляет 24 месяца и исчисляется со дня продажи. В случае устранения недостатков изделия, гарантийный срок продлевается на период его нахождения в ремонте. Срок службы изделия составляет 5 лет со дня продажи.
4. В случае возникновения каких-либо проблем в процессе эксплуатации изделия рекомендуем Вам обращаться только в уполномоченные сервисные центры STANLEY, адреса и телефоны которых Вы сможете найти в гарантийном талоне, на сайте [www.2helpU.com](http://www.2helpU.com) или узнать в магазине. Наши сервисные станции - это не только квалифицированный ремонт, но и широкий ассортимент запчастей и принадлежностей.
5. Производитель рекомендует проводить периодическую проверку и техническое обслуживание изделия в уполномоченных сервисных центрах.

# EAC

Изготовитель  
Блэк энд Деккер Холдингс ГмБХ  
Германия, 65510, Идштайн,  
ул. Блэк энд Деккер, 40

6. Наши гарантийные обязательства распространяются только на неисправности, выявленные в течение гарантийного срока и вызванные дефектами производства и \ или материалов.
7. **Гарантийные условия не распространяются на неисправности изделия, возникшие в результате:**
  - 7.1. Несоблюдения пользователем предписаний инструкции по эксплуатации изделия, применения изделия не по назначению, неправильного хранения, использования принадлежностей, расходных материалов и запчастей, не предусмотренных производителем.
  - 7.2. Механического повреждения (сколы, трещины и разрушения) внутренних и внешних деталей изделия, основных и вспомогательных рукояток, сетевого электрического кабеля, вызванного внешним ударным или любым иным воздействием
  - 7.3. Попадания в вентиляционные отверстия и проникновение внутрь изделия посторонних предметов, материалов или веществ, не являющихся отходами, сопровождающими применение изделия по назначению, такими как: стружка, опилки, песок, и пр.
  - 7.4. Воздействий на изделие неблагоприятных атмосферных и иных внешних факторов, таких как дождь, снег, повышенная влажность, нагрев, агрессивные среды, несоответствие параметров питающей электросети, указанных на инструменте.
  - 7.5. Стихийного бедствия. Повреждение или утрата изделия, связанное с непредвиденными бедствиями, стихийными явлениями, в том числе вследствие действия непреодолимой силы (пожар, молния, потоп и другие природные явления), а так же вследствие перепадов напряжения в электросети и другими причинами, которые находятся вне контроля производителя.
8. **Гарантийные условия не распространяются:**
  - 8.1. На инструменты, подвергавшиеся вскрытию, ремонту или модификации вне уполномоченного сервисного центра.
  - 8.2. На детали и узлы, имеющие следы естественного износа, такие как:  
приводные ремни и колеса, угольные щетки, смазка, подшипники, зубчатое зацепление редукторов, резиновые уплотнения, сальники, направляющие ролики, муфты, выключатели, бойки, толкатели, стволы, и т.п.
  - 8.3. На сменные части: патроны, цанги, зажимные гайки и фланцы, фильтры, аккумуляторные батареи, ножи, шлифовальные подошвы, цепи, звездочки, пыльные шины, защитные кожухи, пилки, абразивы, пыльные и абразивные диски, фрезы, сверла, буры и т.п.
  - 8.4. На неисправности, возникшие в результате перегрузки инструмента (как механической, так и электрической), повлекшей выход из строя одновременно двух и более деталей и узлов, таких как: ротора и статора, обеих обмоток статора, ведомой и ведущей шестерни редуктора или других узлов и деталей. К безусловным признакам перегрузки изделия относятся, помимо прочего: появление цветов побежалости, деформация или оплавление деталей и узлов изделия, потемнение или обугливание изоляции проводов электродвигателя под воздействием высокой температуры.



Приложение к руководству по эксплуатации

Перфораторы

Модели: STHR223\*, D2548\*, D2581\*, D25981\*, SHR263\*, BDHR202\*, BDHR223\*, STHR223\*- Сделано в Китае.

Где символ "\*" - различные варианты исполнения изделия.

Сертификат №: RU С-ДЕ.АЯ46.В.78281 Действителен до: 19 января 2020 г. Выдан: Орган по сертификации "РОСТЕСТ-Москва" ЗАО "Региональный орган по сертификации и тестированию", Адрес: 119049,г. Москва, улица Житная, д. 14, стр. 1; 117418, Москва, Нахимовский просп., 31 (фактический), Телефон: (499) 1291911, (495) 6682715,; Факс: (495) 6682893, E-mail: info@rostest.ru, Изготовитель: Блэк энд Деккер Холдингс ГмбХ Германия, 65510, Идштайн, ул. Блэк энд Деккер, 40

Уполномоченное изготовителем юр.лицо: ООО "Стэнли Блэк энд Деккер",117485, город Москва, улица Обручева, дом 30/1, строение 2  
Телефон: + 7 (495) 258-3981, факс: + 7 (495) 258-3984, E-mail: inbox@dewalt.com  
Сведения о импортере указаны в сопроводительной документации и/или на упаковке

**Хранение.**

Необходимо хранить в сухом месте, вдали от источников повышенных температур и воздействия солнечных лучей. При хранении необходимо избегать резкого перепада температур. Хранение без упаковки не допускается

**Транспортировка.**

Категорически не допускается падение и любые механические воздействия на упаковку при транспортировке.

При разгрузке/погрузке не допускается использование любого вида техники, работающей по принципу зажима упаковки.

**Срок службы.**

Срок службы изделия составляет 5 лет. Не рекомендуется к эксплуатации по истечении 5 лет хранения с даты изготовления без предварительной проверки.

**Перечень критических отказов, возможные ошибочные действия персонала.**

Не допускается эксплуатация изделия:  
-При появлении дыма из корпуса изделия  
-При поврежденном и/или оголенном сетевом кабеле  
-при повреждении корпуса изделия, защитного кожуха, рукоятки  
-при попадании жидкости в корпус  
-при возникновении сильной вибрации  
-при возникновении сильного искрения внутри корпуса

Дата изготовления (код даты) указана на корпусе инструмента. Код даты, который также включает год изготовления, отштампован на поверхности корпуса изделия.

Пример:

2014 46 XX, где 2014 –год изготовления, 46-неделя изготовления.

**Критерии предельных состояний.**

-При поврежденном и/или оголенном сетевом кабеле  
-при повреждении корпуса изделия

Определить месяц изготовления по указанной неделе изготовления можно согласно приведенной ниже таблице.

Месяц	Январь	Февраль	Март	Апрель	Май	Июнь	Июль	Август	Сентябрь	Октябрь	Ноябрь	Декабрь	Год производства
Неделя	01	05	09	14	18	22	27	31	36	40	44	49	2014
	02	06	10	15	19	23	28	32	37	41	45	50	
	03	07	11	16	20	24	29	33	38	42	46	51	
	04	08	12	17	21	25	30	34	39	43	47	52	
	05	09	13	18	22	26	31	35	40	44	48		
			14		27								
Неделя	01	05	09	14	18	23	27	31	36	40	44	49	2015
	02	06	10	15	19	24	28	32	37	41	45	50	
	03	07	11	16	20	25	29	33	38	42	46	51	
	04	08	12	17	21	26	30	34	39	43	47	52	
		09	13	18	22	27	31	35	40	44	48	53	
			14				36			49			
Неделя	01	05	09	13	17	22	26	31	35	39	44	48	2016
	02	06	10	14	18	23	27	32	36	40	45	49	
	03	07	11	15	19	24	28	33	37	41	46	50	
	04	08	12	16	20	25	29	34	38	42	47	51	
		09	13	17	21	26	30	35	39	43	48	52	
			22					44					
Неделя	01	05	09	13	18	22	26	31	35	39	44	48	2017
	02	06	10	14	19	23	27	32	36	40	45	49	
	03	07	11	15	20	24	28	33	37	41	46	50	
	04	08	12	16	21	25	29	34	38	42	47	51	
	05	09	13	17	22	26	30	35	39	43	48	52	
					31			44					

## Призначення

Перфоратор STANLEY SHR243, SHR263, SHR264 SDS Plus призначений для свердління отворів у бетоні, цеглі, дереві і сталі, демонтажу і свердління з використанням свердла з твердосплавними пластинами або для використання як викрутки. Цей інструмент призначений для професійного використання.

## ІНСТРУКЦІЇ З ТЕХНІКИ БЕЗПЕКИ

### Загальні правила безпеки для електричного інструменту



**УВАГА!** Прочитайте всі попередження та всі інструкції. Невиконання всіх інструкцій, що наведені нижче, може призвести до ураження електричним струмом, пожежі та/або серйозних травм.

Зберігайте це керівництво для отримання інформації в подальшому. Термін "електричний інструмент" в усіх попередженнях, перерахованих нижче, стосується викомалтовуваних Вами інструментів, що працюють від мережі енергоспоживання або акумуляторів.

#### 1. Вказівки з техніки безпеки на робочому місці

- a. **Утримуйте робоче місце в чистоті і добре освітленим.** Безлад або погане освітлення на робочому місці можуть призвести до нещасного випадку.
- b. **Не працюйте з електроінструментом в місці зберігання вибухонебезпечних матеріалів, наприклад, у присутності легкозаймистих рідин, газів або пилу.** Електричні інструменти створюють іскри, що можуть запалити пил або пари.
- c. **Забороняється перебування дітей та сторонніх осіб поблизу працюючого електричного інструменту.** Ви можете відволіктися і втратити контроль за роботою інструменту.

#### 2. Електрична безпека

- a. **Вилка шнура живлення інструмента повинна відповідати мережевій розетці. Забороняється вносити будь-які зміни у вилку шнура живлення. Не використовуйте жодних вилок-перехідників із заземленими (зануленими) електроінструментами.** Відсутність змін у вилках шнурів живлення та відповідність електричних вилок і розеток знижує ризик ураження електричним струмом.
- b. **Не торкайтеся поверхонь заземлених чи занулених предметів, наприклад труб, радіаторів, електроплит або холодильників.** Заземлення чи занулення тіла підвищує ризик ураження електричним струмом.
- c. **Забороняється піддавати електричні інструменти впливу дощу чи підвищеної вологості.** При попаданні вологи всередину електричного інструмента підвищується ризик ураження

електричним струмом.

- d. **Забороняється пошкоджувати шнур живлення. У жодному разі не використовуйте шнур живлення для перенесення чи зміни положення інструмента; не тягніть за шнур, виймаючи вилку з розетки. Не прокладайте шнур живлення поруч із гарячими предметами, мастилом, гострими кінцями і рухомими деталями.** Пошкодження й заплутування шнурів живлення підвищує ризик ураження електричним струмом.
- e. **Під час роботи з електричним інструментом за межами приміщень використовуйте відповідний подовжувач.** Використання подовжувача, призначеного для роботи поза приміщеннями, знижує ризик ураження електричним струмом.
- f. **Якщо електричним інструментом необхідно користуватись у вологому місці, слід використовувати пристрій захисного відключення (ПЗВ) електричної мережі.** Використанн Примітка: Термін «пристрій захисного відключення» (ПЗВ) може бути замінений терміном «вимикач короткого замикання на землю» (BK33) або терміном «автоматичний вимикач витоку на землю» (ABB3). Я ПЗВ знижує ризик ураження електричним струмом.

#### 3. Безпека персоналу

- a. **Під час роботи з електричним інструментом необхідно бути обачним, слідкувати за виконуваною роботою та керуватися здоровим глуздом.** Забороняється працювати з електричним інструментом у стані втоми чи під впливом наркотиків, алкоголю й лікарських препаратів. Ослаблення уваги навіть на мить може призвести до серйозної травми.
- b. **Використовуйте засоби індивідуального захисту. Завжди користуйтеся засобами захисту очей.** Використання у відповідних умовах засобів індивідуального захисту, наприклад пилозахисної маски, протиковзного захисного взуття, захисної каски або засобів захисту органів слуху, завжди знижує ризик отримання травми.
- c. **Не допускайте ненавмисного вмикання інструмента.** Перш ніж підключити джерело живлення та/або акумулятор, піднімати чи переносити інструмент, переконайтесь, що його вимикач переведено у положення «вимкнено». Якщо тримати палець на вимикачі під час перенесення інструмента чи підключення увімкненого інструмента до мережі, це підвищує ризик нещасного випадку.
- d. **Перш ніж увімкнути електричний інструмент, обов'язково вийміть із нього регулювальний чи гайковий ключ.** Ключ, залишений ключ на обертальній деталі інструмента, може призвести до травмування.

- e. **Не намагайтеся дотягнутися до важкодоступних місць. Завжди міцно тримайтеся на ногах і зберігайте рівновагу під час роботи.** Це дозволяє краще контролювати електричний інструмент у непередбачуваних ситуаціях.
- f. **Одягайте відповідний одяг. Забороняється одягати вільний одяг або прикраси. Волосся, одяг та рукавиці повинні знаходитися на максимальній відстані від рухомих деталей інструмента.** Вільний одяг, прикраси або довге волосся можуть бути захоплені рухомими деталями.
- g. **Якщо встановлені пристрої підключення засобів пилівловлювання та пилосбірників, необхідно перевіряти, щоб вони були підключені та використовувалися належним чином.** Використання цих пристроїв знижує рівень ризику, пов'язаного з пилом.
- 4. Використання та догляд за електричним інструментом**
- a. **Не застосовуйте надмірне зусилля до електричного інструмента. Використовуйте електричний інструмент тільки за призначенням.** Правильно підібраний електроінструмент дозволить виконати роботу краще і безпечніше при швидкості, для якої він був розроблений.
- b. **Забороняється використовувати цей електричний інструмент, якщо не вдається ввімкнути чи вимкнути його вимикачем.** Будь-який електричний інструмент, роботою якого неможливо керувати за допомогою вимикача, є небезпечним, і його обов'язково потрібно відремонтувати.
- c. **Перш ніж регулювати електричний інструмент, замінювати на ньому приладдя чи класти на зберігання, необхідно витягти вилку живлення з розетки та/або зняти з нього акумулятор.** Такий превентивний захід безпеки знижує ризик випадкового увімкнення інструмента.
- d. **Зберігайте електричний інструмент, який в даний момент не використовується, в недоступному для дітей місці та не дозволяйте працювати з інструментом особам, які не знайомі з ним або з цими вказівками.** Електричний інструмент є небезпечним в руках ненавченої людини.
- e. **Підтримуйте інструмент в робочому стані. Перевіряйте центрування та з'єднання рухомих деталей, наявність пошкоджених деталей та будь-які фактори, які можуть негативно позначитися на роботі електричного інструмента.** У разі виявлення пошкодження електричний інструмент необхідно відремонтувати перед використанням. Багато нещасних випадків трапляється через неналежне технічне обслуговування електричних інструментів.

- f. **Ріжучі інструменти мають бути загостреними й чистими.** Підтримуваний у належному робочому стані ріжучий інструмент з гострими лезами менше застряє, ним легше керувати.
- g. **Використовуйте електричний інструмент, приладдя, вставні різці і т. п. відповідно до даних вказівок, враховуючи умови експлуатації та роботу, яка має бути виконана.** Використання електричного інструменту не за призначенням може призвести до небезпечної ситуації.

## 5. Обслуговування

- a. **Обслуговувати електричний інструмент повинен тільки кваліфікований ремонтний персонал із використанням лише ідентичних запасних частин.** Це забезпечить утримання електричного інструмента у безпечному стані.

## ВКАЗІВКИ ЩОДО ТЕХНІКИ БЕЗПЕКИ ПІД ЧАС РОБОТИ З ПЕРФОРАТОРОМ

- Користуйтеся захисними навушниками. Дія шуму може стати причиною втрати слуху.
- Використовуйте додаткові ручки, якщо вони входять у комплект поставки інструменту. Втрата контролю може спричинити травми.
- Під час виконання робіт, коли ріжучий інструмент може контактувати з прихованими кабелями чи власним кабелем електроживлення тримайте електроінструмент за спеціальні ізовані поверхні. При контакті ріжучого інструменту з кабелями, що знаходиться під напругою, відкриті металеві частини електроінструменту також можуть опинитися під напругою та створювати небезпеку ураження електричним струмом.
- Ніколи не використовуйте зубило в режимі обертання. Насадка застрягне в матеріалі та перфоратор почне обертатися.
- Використовуйте затискачі або інші придатні способи закріплення деталі на стійкій платформі, щоб зробити її безпечною. Коли деталь утримується руками або іншими частинами тіла, вона залишається нестійкою, що може спричинити втрату контролю.
- Перед свердлінням отворів у стінах, підлозі чи стелі перевірте розміщення кабелів та труб.
- Не торкайтеся наконечника робочого інструменту відразу після свердління отворів, тому що він може бути гарячим.
- Цільове призначення описане в інструкції з використання. Використання будь-якого приладдя чи насадок, або робота з інструментом способом, відмінним від рекомендованого в цьому посібнику може спричинити ризик травмування та/або завдання шкоди майну.

**Примітка:** Напруга мережі: При підключенні до мережі необхідно обов'язково перевірити чи відповідає напруга мережі напрузі електроінструменту. Якщо напруга мережі більша, ніж напруга, зазначена на інструменті, користувач може отримати серйозну травму в результаті нещасного випадку, а інструмент може вийти з ладу. І навпаки, якщо напруга в мережі нижча, ніж напруга, необхідна для інструменту, це може призвести до пошкодження двигуна. Таким чином, якщо перевірити напругу неможливо, не підключайте електроінструмент до джерела живлення.

### Залишкові ризики

Незважаючи на виконання всіх відповідних правил техніки безпеки та викомалтання пмалтроїв безпеки, неможливо уникнути деяких залишкових ризиків. Сюди належать:




- Травми через контакт з деталями, що рухаються/обертаються.
- Порушення слуху.
- Ризик отримання травми під час заміни певних частин інструменту, або насадок.
- Загроза для здоров'я, яка виникає під час вдихання деревної тирси, особливо тирси дуба, бука або ДВП.
- Ризик отримання травм, пов'язаний з довготривалим викомалтанням інструменту. Якщо Ви викомалтовуєте будь-які інструменти досить довго, робіть періодичні перерви.

### Безпека інших осіб

- Використання цього інструменту особами, які мають фізичні, сенсорні або розумові обмеження, а також недостатній рівень досвіду та знань (в тому числі використання інструменту дітьми) не допускається, окрім випадків, коли такі особи працюють під наглядом особи, яка є відповідальною за їх безпеку, або коли ця відповідальна особа проінструктувала їх щодо особливостей використання інструменту.
- Не слід дозволити дітям гратися з інструментом.

### Позначки на корпусі інструменту

Окрім коду, що позначає дату випуску, на корпусі інструменту можуть знаходитись наступні позначки:

	<b>УВАГА!</b> Для зниження ризику травмування оператор повинен прочитати цю інструкцію з експлуатації перед початком роботи.
	Застосовуйте засоби захисту органів слуху.
	Використовуйте відкриті і закриті захисні окуляри.

B	Напруга	===	Постійний струм
A	Ампери	$\Pi_0$	Швидкість холостого ходу
Гц	Герци		Конструкція класу II
Bт	Вати		Клема заземлення
хв.	хвилини		Попереджувальний знак
	Змінний струм	/хв	Кількість обертів або зворотно-поступальних рухів за хвилину

### Положення дати штрих-кодуювання (Мал. А).

Дата коду, який також включає рік виготовлення, друкується на корпусі.

Приклад:

2016 XX JN  
Рік виготовлення

### Вміст комплекту постачання

У комплект поставки входять:

- 1 Перфоратор для важкого режиму роботи
  - 1 Бічна ручка
  - 1 Обмежувач глибини
  - 1 Кейс
  - 1 Затискний патрон дрילה (додатково)
  - 1 Свердло (додатково)
  - 1 Інструкція з експлуатації
  - 1 Пилосбірник
  - 1 Безключовий затискний патрон дрילה (SHR264)
- Перевірте інструмент, деталі або приналежності на предмет пошкоджень, що могли виникнути під час транспортування.
  - Перед початком експлуатації уважно прочитайте цю інструкцію.

### ЕЛЕКТРИЧНА БЕЗПЕКА



Цей інструмент має подвійну ізоляцію; тому заземлення не є необхідним. Завжди перевіряйте, що джерело живлення відповідає напрузі, яка вказана на таблиці з паспортними даними.



Якщо шнур живлення пошкоджений, його необхідно замінити у виробника або в офіційному сервісному центрі STANLEY Black & Decker для уникнення небезпеки.

**ВИКОРИСТАННЯ КАБЕЛЮ-ПОДОВЖУВАЧА**

Завжди використовуйте кабель-подовжувач дозволеного типу, який підходить до силового входу цього інструмента (див. технічні характеристики виробу). Перед тим, як використовувати подовжувач, огляньте його та впевніться в тому, що пошкодження, ознаки зношування та того, що подовжувач використовувався упродовж довгого терміну, відсутні. Пошкоджений або дефектний кабель-подовжувач слід замінити. Якщо Ви використовуєте кабель на барабані, завжди розмотуйте його повністю. Використання кабелів-подовжувачів, які не підходять під силовий вхід інструменту, або які є пошкодженими чи дефектними, може призвести до виникнення пожежі або ураження оператора електричним струмом.

Площа поперечного перетину кабелю (мм <sup>2</sup> )	Номінальний струм кабелю (Ампер)
0,75	6
1,00	10
1,50	15
2,50	20
4,00	25

Довжина кабелю (м)						
	7,5	15	25	30	45	60

Напруга	Ампер	Номинальний струм кабелю (Ампер)					
110-127	0 - 2,0	6	6	6	6	6	10
	2,1 - 3,4	6	6	6	6	15	15
	3,5 - 5,0	6	6	10	15	20	20
	5,1 - 7,0	10	10	15	20	20	25
	7,1 - 12,0	15	15	20	25	25	-
220-240	12,1 - 20,0	20	20	25	-	-	-
	0 - 2,0	6	6	6	6	6	6
	2,1 - 3,4	6	6	6	6	6	6
	3,5 - 5,0	6	6	6	6	10	15
	5,1 - 7,0	10	10	10	10	15	15
	7,1 - 12,0	15	15	15	15	20	20
	12,1 - 20,0	20	20	20	20	25	-

**ОСНОВНІ ЕЛЕМЕНТИ ВИРОБУ (МАЛ. А, МАЛ. В, МАЛ. С, МАЛ. D, МАЛ. F, МАЛ. G)**

Інструмент має наступні елементи (всі перераховані або їх частину):

1. Головна рукоятка
2. Кнопка блокування
3. Кнопка регулювання швидкості
4. Перемикач вперед /назад
5. Перемикач режимів
6. Муфта
7. Затискач
8. Обмежувач глибини
9. Бічна рукоятка
10. Код дати виготовлення
11. Бур SDS Plus
12. Затискний патрон
13. Свердло
14. Пилозбірник
15. Фіксувальний кільцевий виступ
16. Тримач інструмента SDS Plus
17. Безключовий затискний патрон

**ЗБИРАННЯ**

**УВАГА!** Перед виконанням збирання переконайтесь у тому, що інструмент вимкнений та від'єднаний від розетки живлення.

**Установка бічної рукоятки (МАЛ. А)**

**УВАГА!** Під час використання інструменту використовуйте, будь ласка, бічну рукоятку (9) для вашої безпеки. Бічна рукоятка може бути встановлена як для правші, так і для лівші.

- Повертайте затискач проти часової стрілки доти, доки бічна рукоятка не зсунеться на передню частину інструменту.
- Поверніть бічну рукоятку в бажане положення.
- Затягніть затискач, обертаючи його за годинниковою стрілкою.

**УВАГА!** Під час використання інструменту не забувайте правильно встановлювати бічні рукоятки.

**Установка насадок (МАЛ. А)**

- Очистіть та змажте хвостик (15) свердла SDS Plus.
- Вставте стрижень в затискач (7).
- Натисніть на насадку і злегка поверніть її, поки вона не стане в пазі.
- Потягніть за насадку, щоб перевірити надійність її встановлення та фіксації. Для виконання функцій удару та свердління насадка повинна мати можливість рухатись в осьовому напрямку на декілька сантиметрів, коли вона зафіксована в затискачі.
- Щоб зняти насадку, відтягніть муфту (6) і витягніть насадку із затискача.



### Установка пілозбірника (рис. F)

- Вставте бур SDS Plus (11) у пілозбірник (14), а потім вставте бур (11) і пілозбірник у різцетримач (7).
- Використовуйте пілозбірник лише для вертикального свердління (рис. F).

### ВИКОРИСТАННЯ

**УВАГА!** Завжди надягайте рукавички при зміні насадок. Відкриті металеві частини інструменту та насадок можуть дуже нагріватися під час роботи. Використовуйте інструмент з нормальним навантаженням. Не перевантажуйте його. Не використовуйте інструмент не за призначенням. Зверніться до інструкції з експлуатації, щоб дізнатися як правильно використовувати інструмент.

**УВАГА!** Перед свердлінням стін, підлоги і стелі перевірте розташування проводів і труб.

### Установка глибини свердління (МАЛ. А)

Обмежувач глибини – це зручна функція для забезпечення однакової глибини свердління. Відпустіть бічну рукоятку, щоб відрегулювати шкалу глибини на необхідну глибину. Після цього затягніть бічну рукоятку.

Послабте бічну рукоятку (9), обертаючи затискач проти годинникової стрілки.

- Встановіть обмежувач глибини (8) в необхідне положення.
- Максимальна глибина свердління дорівнює відстані між вістрям свердла і переднім кінцем обмежувача глибини.
- Затягніть бічну рукоятку, обертаючи затискач за годинниковою стрілкою.

### Увімкнення та вимкнення (МАЛ. А)

**УВАГА!** Перед підключенням до джерела живлення переконайтеся, що кнопка регулювання швидкості може вільно рухатися і повертається у початкове положення після її відпускання. Перед увімкненням, перевірте кнопку блокування і переконайтеся, що вона знаходиться у положенні «вимкнено» перед підключенням до джерела живлення.

- Щоб увімкнути інструмент, натисніть на кнопку регулювання швидкості (3). Швидкість інструменту залежить від того, наскільки сильно ви натискаєте на кнопку.
- Як правило, мала швидкість використовується для свердел великого діаметра доліт і висока швидкість для свердел малого діаметра.
- Для роботи у безперервному режимі натисніть на кнопку блокування (2) і відпустіть кнопку регулювання швидкості.
- Щоб вимкнути інструмент, відпустіть кнопку регулювання швидкості. Щоб вимкнути інструмент під час роботи в безперервному режимі, натисніть на кнопку регулювання швидкості ще раз та відпустіть її.

**УВАГА!** Якщо користувач залишає інструмент без нагляду, а також у випадку підняття, транспортування, виконання

певних дій і встановлення положення інструмента його обов'язково необхідно вимкнути і витягнути шнур електроживлення з розетки.

### Установка патрона (SHR243, SHR263-МАЛ. D)

**Доподаткові аксесуари (не входять у комплект постачання)**

- Вставте патрон (12) у затискач (7) відповідно до інструкцій з установлення насадок.
- Поверніть патрон, щоб послабити затискачі на передній частині, вставте свердло (13) у затискачі і поверніть патрон у протилежному напрямку.
- Для затягування можна також використовувати ключ для свердильного патрона.



**Увага:** Ніколи не використовуйте стандартні патрони в режимі ударного свердління

### Заміна тримача інструмента SDS Plus з безключовим затискним патроном (SHR264 – Рис. G)

- Поверніть фіксувальний кільцевий виступ (15) в положення розблокування і витягніть тримач інструмента SDS Plus (16).
- Натисніть і перемістіть безключовий затискний патрон (17) вниз по шпindelю і поверніть фіксувальний кільцевий виступ (15) в положення блокування.

Для заміни безключового затискного патрона з тримачем інструмента SDS Plus спочатку зніміть безключовий затискний патрон тим самим способом, яким було знято тримач інструмента. Потім встановіть тримач інструмента тим самим способом, яким було встановлено безключовий затискний патрон, не забуваючи перевести фіксувальний кільцевий виступ в блокувальне положення.



**Обережно! Забороняється застосовувати стандартні затискні патрони в режимі ударного дрilla**

### Вибір режиму роботи (МАЛ. В)

Інструмент може використовуватись в таких режимах:



**Обертальне свердління:** для загвинчування і для свердління отворів у сталі, дереві та пластмасі



**Ударне свердління:** для свердління у бетоні і цеглі. Обертання свердла: неробоче положення використовується лише для повороту плоского долота у потрібне положення



**Лише удар:** для легких робіт із зачищення поверхонь, додання і демонтажу. У цьому режимі інструмент також може використовуватись як важіль для звільнення застряглого свердла.

1. Для вибору режиму роботи натисніть на кнопку вибору режиму роботи і поверніть перемикач режимів (5) стрілкою на символ необхідного режиму.

2. Відпустіть кнопку вибору режиму і переконайтеся, що перемикач режимів зафіксований.



**УВАГА!** Не вибирайте режим роботи, коли інструмент працює.

### Правильне положення рук (МАЛ. А, МАЛ. Е)




**УВАГА!** Щоб знизити ризик отримання серйозної травми, ЗАВЖДИ використовуйте правильне положення рук, як показано на рисунку.



**УВАГА!** Щоб знизити ризик отримання серйозної травми, ЗАВЖДИ міцно тримайте інструмент в очікуванні раптової реакції.

Для правильного положення рук одна рука має знаходитись на бічній рукоятці (9), а інша – на головній рукоятці (1).

### Обертальне свердління (МАЛ. В, МАЛ. D, МАЛ. С1/С2 МАЛ. D, МАЛ. G)

- Для свердління у сталі, дереві і пластмасі або для загвинчування встановіть перемикач режимів роботи (5) в положення .
- Встановіть вузол затискного патрона дреля. В залежності від вашого інструмента, виконайте одну з наступних вказівок:  
SHR264: замініть тримач інструмента SDS Plus (16) безключовим затискним патроном (17).  
SHR243/SHR263: встановіть вузол затискного патрона дреля (12).
- Вставте відповідні насадки. При загвинчуванні гвинтів зі шліцевою головкою завжди використовуйте насадки з шукачем.
- Для свердління свердління у сталі, дереві і пластмасі встановіть перемикач вперед /назад (4) у положення «вперед» (МАЛ. С1). При викоМАЛтанні інструмента як викрутки, для затягування гвинтів встановіть перемикач вперед /назад (4) у положення «вперед» (МАЛ. С1), а для ослаблених гвинтів перемикач вперед /назад (4) у положення «назад» (МАЛ. С2).

**УВАГА!** Ніколи не використовуйте свердлильні патрони в режимі ударного свердління.

### Ударне свердління (МАЛ. В)

- Для ударного свердління в цегляній кладці і бетоні встановіть перемикач режимів роботи (5) у положення
- Свердло має бути встановлено точно у положення де має бути зроблений отвір. Після цього витягніть перемикач для оптимального ефекту. Переконайтеся, що інструмент знаходиться в правильному положенні, щоб свердло не відхилялось від отвору.
- Якщо просвердлений отвір забитий сміттям або дрібним пилом, не докладайте більших зусиль. Перед

видаленням частини свердла інструмент має бути переведений у режим вільного обертання. Якщо повторити це декілька разів, отвір очиститься і можна буде продовжити свердління.

**УВАГА!** Коли свердло потрапляє у цемент або сталеву арматуру в цементі, інструмент може небезпечно відскочити. Завжди тримайте інструмент міцно у зрівноваженому і стабільному положенні, щоб запобігти небезпечному відскоку.


### Запобіжна муфта

Ваш перфоратор обладнаний запобіжною муфтою, яка зменшує максимальну реакцію моменту, що обертає, передану користувачеві в разі заклинювання свердла. Це доповнення також перешкоджає різкою незапалірованою зупинці приводу і електродвигуна. Запобіжна муфта встановлена заводом виготівником і не може бути примусово відключена.

### Запобіжна муфта для захисту від перевантаження

Якщо свердло дреля застряне або зігнеться, рушійна сила, яка передається на вал дреля, зникне. Це призведе до сильної віддачі, внаслідок чого для збереження інструмента в стійкому положенні його необхідно буде міцно тримати двома руками.

### Дроблення і довбання (МАЛ. В)

- Встановіть перемикач режимів роботи (5) у  положення «лише удар».
- Вставте відповідну насадку і повертайте її вручну, поки вона не зафіксується.
- Встановіть бічну рукоятку (9) відповідно до інструкцій.
- Увімкніть інструмент та починайте роботу.
- Завжди вимикайте інструмент після закінчення роботи і перед відключенням від мережі живлення.



**УВАГА!** Не використовувати цей інструмент для перемішування або перекачування легкозаймих або вибухонебезпечних рідин (бензин, спирт тощо). Не перемішуйте займісті рідини з відповідним маркуванням.

### Приладдя

Ефективність роботи вашого інструменту залежить від приладдя, що використовується. Приладдя Stanley розроблене у відповідності до високих стандартів якості, і його конструкція покращує робочі характеристики вашого інструмента. При використанні цього приладдя ви отримуєте від вашого інструменту максимальну користь.

**ОБСЛУГОВУВАННЯ**

Ваш мережевий/акумуляторний електроприлад/інструмент STANLEY спроектований для роботи протягом тривалого часу з мінімальним необхідним технічним обслуговуванням. Тривала задовільна робота інструменту залежить від правильного догляду за ним та його регулярного очищення



**УВАГА!** Щоб знизити ризик отримання травми, завжди вимикайте прилад і від'єднайте його від джерела живлення перед установленням і видаленням насадок, перед налаштуванням або змінною налаштувань або під час виконання ремонту. Переконайтеся, що тригерний вимикач знаходиться у положенні «ВИМК.». Випадковий пуск може призвести до отримання травми.

- Цей прилад не призначений для обслуговування користувачем. При виникненні проблем зверніться до авторизованого сервісного центру.
- Коли зношуються вугільні щітки інструмент автоматично вимикається.
- **УВАГА!** Перед виконанням будь-яких робіт з обслуговування мережевих/акумуляторних електроінструментів:
- Вимкніть прилад/інструмент та від'єднайте його від джерела живлення.
- Або вимкніть і вийміть акумулятор з приладу/інструменту, якщо прилад/інструмент має окреме портативне акумуляторне джерело живлення.
- Або повністю розрядіть акумулятор, якщо він є невід'ємною частиною приладу/інструменту, а потім вимкніть його.
- Від'єднайте зарядний пристрій від мережі перед його очищенням. Ваш зарядний пристрій не потребує обслуговування крім регулярного чищення.
- Регулярно очищуйте вентиляційні отвори приладу/інструменту/зарядного пристрою за допомогою м'якої щітки чи сухої тканини.
- Регулярно очищуйте корпус двигуна за допомогою вологої тканини. Не використовуйте абразивні миючі засоби та миючі засоби на основі розчинників.
- Регулярно знімайте патрон та простукуйте його для видалення пилу з його внутрішніх частин (при установленні).

**Змачення**

Ваш електроінструмент не потребує додаткового змачення. Додаткове приладдя та насадки необхідно регулярно змачувати навколо хвостовика SDS Plus.

**Чищення**

**УВАГА!** Видавайте бруд і пил з основного

корпусу сухим повітрям у міру видимого скупчення бруду всередині і навколо вентиляційних отворів. При виконанні цієї процедури надягайте засоби захисту очей і респіратор.



**УВАГА!** Ніколи не використовуйте розчинники або інші агресивні хімічні речовини для очищення неметалевих деталей інструменту. Ці хімічні речовини можуть послабити матеріал деталей. Використовуйте лише м'яке мило і вологу тканину для очищення інструменту. Ніколи не допускайте потрапляння рідини всередину інструменту, очищення бензином чи іншими хімічними речовинами, ніколи не опускайте будь-яку частину інструменту в рідину.

**Додаткові аксесуари**

**УВАГА!** Оскільки аксесуари, крім тих, що пропонує STANLEY, не проходили випробування, використання таких аксесуарів з цим інструментом може бути небезпечним. Щоб зменшити ризик отримання травми, з цим виробом слід використовувати лише рекомендовані аксесуари фірми STANLEY.

Як опція пропонуються різні типи свердел і зубил SDS Plus.

Зверніться до свого дилера для отримання додаткової інформації про відповідні аксесуари.

**Захист навколишнього середовища**

Окреме збирання. Цей продукт не можна викидати разом зі звичайним побутовим сміттям.

Якщо якимось ви вирішите, що ваш виріб фірми STANLEY має бути замінено, або він вам більше не потрібний, не викидайте його на смітник побутового сміття. Зробіть цей виріб доступним для спеціального збирання.



Компанія STANLEY має можливість для збору та переробки продуктів власного виробництва після закінчення їхнього терміну служби. Щоб скористатися цією послугою, поверніть виріб компанії в офіційний сервісний центр, які збирають відпрацьовані продукти за наш рахунок.

Ви можете знайти місцезнаходження найближчого до Вас сервісного центру, зв'язавшись з місцевим офісом компанії STANLEY за адресою, вказаною в цих інструкціях. Крім того, список офіційних сервісних центрів компанії STANLEY з усіма подробицями нашого післяпродажного обслуговування та контактною інформацією міститься в Інтернеті за адресою: [www.2helpU.com](http://www.2helpU.com)

## Пояснення

Постійне удосконалення наших виробів є одним із принципів компанії STANLEY, тому ми залишаємо за собою право вносити зміни в конструкцію виробу без попереднього повідомлення про це.

Базовий виріб та допоміжні/змінні елементи можуть мати різну конструкцію під пас постачання продукції в різні країни.

Характеристики виробу також можуть бути відмінними в різних країнах.

Повна лінійка готових виробів в деяких країнах може бути недоступною. З питань асортименту продукції звертайтеся до Вашого місцевого представництва компанії STANLEY.

## ТЕХНІЧНІ ДАНІ

ПЕРФОРАТОР		SHR243	SHR263	SHR264
Живлення	В	220-240	220-240	220-240
Частота	Гц	50/60	50/60	50/60
Потужність	Вт	780	800	800
Швидкість хол.хода	об/хв	0-1250	0-1150	0-1250
Продуктивність	уд/хв	0-4670	0-4300	0-4670
Сила удару (ЕРТА / Макс)	Дж	2,2/3,1	2,4/3,4	2,4/3,4
К-ть режимів		3	3	3
Макс.діаметр свердління	мм			
- Бетон		24	26	26
- Метал		13	13	13
- Деревина		30	30	30
Вага	кг	2,6	2,6	2,7

## Інформація стосовно обслуговування

Компанія STANLEY має мережу власних сервісних центрів та уповноважених органів з обслуговування інструментів. Всі сервісні організації компанії STANLEY укомплектовані кваліфікованим персоналом, який надає покупцям послуги з ефективного та надійного обслуговування електроінструменту. Для того, щоб отримати додаткову інформацію про наші уповноважені сервісні центри, а також, якщо Вам потрібна порада з технічних питань, ремонт або виготовлені нашою компанією запасні частини, зв'яжіться з найближчим представництвом компанії STANLEY.

# STANLEY

## Гарантійні умови

### Шановний покупець!

1. Вітаємо Вас з покупкою високоякісного виробу STANLEY і висловлюємо вдячність за Ваш вибір.
2. При покупці виробу вимагайте перевірки його комплектності і справності у Вашій присутності, інструкцію з експлуатації та заповнений гарантійний талон українською мовою

В гарантійному талоні повинні бути внесені: модель, дата продажу, серійний номер, дата виробництва інструменту; назва, печатка і підпис торгової організації. За відсутності у Вас правильно заповненого гарантійного талону, а також при невідповідності зазначених у ньому даних ми будемо змушені відхилити Ваші претензії щодо якості даного виробу.

3. Щоб уникнути непорозумінь, переконавши просимо Вас перед початком роботи з виробом уважно ознайомитися з інструкцією з його експлуатації. Правовою основою справжніх гарантійних умов є чинне Законодавство. Гарантійний термін на даний виріб складає 24 місяці і обчислюється з дня продажу. У разі усунення недоліків виробу, гарантійний строк продовжується на період його перебування в ремонті. Термін служби виробу становить 5 років з дня продажу.
4. У разі виникнення будь-яких проблем у процесі експлуатації виробу рекомендуємо Вам звертатися тільки в уповноважені сервісні центри STANLEY, адреси та телефони яких Ви зможете знайти в гарантійному талоні, на сайті [www.2helpU.com](http://www.2helpU.com) або дізнатися в магазині. Наші сервісні станції - це не тільки кваліфікований ремонт, але і широкий асортимент запчастин і аксесуарів.
5. Виробник рекомендує проводити періодичну перевірку і технічне обслуговування виробу в уповноважених сервісних центрах.
6. Наші гарантійні зобов'язання поширюються тільки на несправності, виявлені протягом гарантійного терміну і викликані дефектами виробництва та \ або матеріалів.
7. Гарантійні умови не поширюються на несправності виробу, що виникли в результаті:
  - 7.1 Недотримання користувачем приписів інструкції з експлуатації виробу, застосування виробу не за призначенням, неправильного зберігання, використання приладдя, витратних матеріалів і запчастин, що не передбачені виробником.
  - 7.2 Механічного пошкодження (відколи, тріщини і руйнування) внутрішніх і зовнішніх деталей виробу, основних і допоміжних рукояток, мережевого кабелю, що викликані зовнішнім ударним або будь-яким іншим впливом

- 7.3 Потраплення у вентиляційні отвори та проникнення всередину виробу сторонніх предметів, матеріалів або речовин, що не є відходами, які супроводжують застосування виробу за призначенням, такими як: стружка, тирса, пісок, та ін.
- 7.4 Впливу на виріб несприятливих атмосферних і інших зовнішніх факторів, таких як дощ, сніг, підвищена вологість, нагрівання, агресивні середовища, невідповідність параметрів електромережі, що зазначені на інструменті.
- 7.5 Стихійного лиха. Пошкодження або втрати виробу, що пов'язані з непередбаченими лихами, стихійними явищами, у тому числі внаслідок дії непереборної сили (пожежа, блискавка, потоп і інші природні явища), а також внаслідок перепадів напруги в електромережі та іншими причинами, які знаходяться поза контролем виробника.
8. Гарантійні умови не поширюються:
  - 8.1. На інструменти, що піддавались розкриттю, ремонту або модифікації поза уповноваженим сервісним центром.
  - 8.2. На деталі, вузли та матеріали, що мають сліди природного зносу, такі як: приводні реміні і колеса, вугільні щітки, мастило, підшипники, зубчасті зчеплення редукторів, гумові ущільнювачі, сальники, направляючі роликки, муфти, вимикачі, бойки, штовхачі, стовпи тощо.
  - 8.3. На змінні частини: патрони, цанги, затискові гайки і фланці, фільтри, акумуляторні батареї, ножі, шліфувальні підшоши, ланцюги, зірочки, пильні шини, захисні кожухи, пилки, абразиви, пильні і абразивні диски, фрези, свердла, бури тощо
  - 8.4. На несправності, що виникли в результаті перевантаження інструменту (як механічного, так і електричного), що спричинили вихід з ладу одночасно двох і більше деталей і вузлів, таких як: ротора і статора, обох обмоток статора, веденої і ведучої шестерень редуктора або інших вузлів і деталей. До безумовних ознак перевантаження виробу відносяться, крім інших: поява кольорів мінливості, деформація або оплавлення деталей і вузлів виробу, потемніння або обуглювання ізоляції проводів електродвигуна під впливом високої температури.



Виробник:  
 "Stanley Black & Decker Deutschland  
 GmbH" Black-&-Decker Str.40, D-65510  
 Idstein, Німеччина





