

DEWALT®

XR LI-ION

www.DEWALT.com

DCMW564

Fig. A

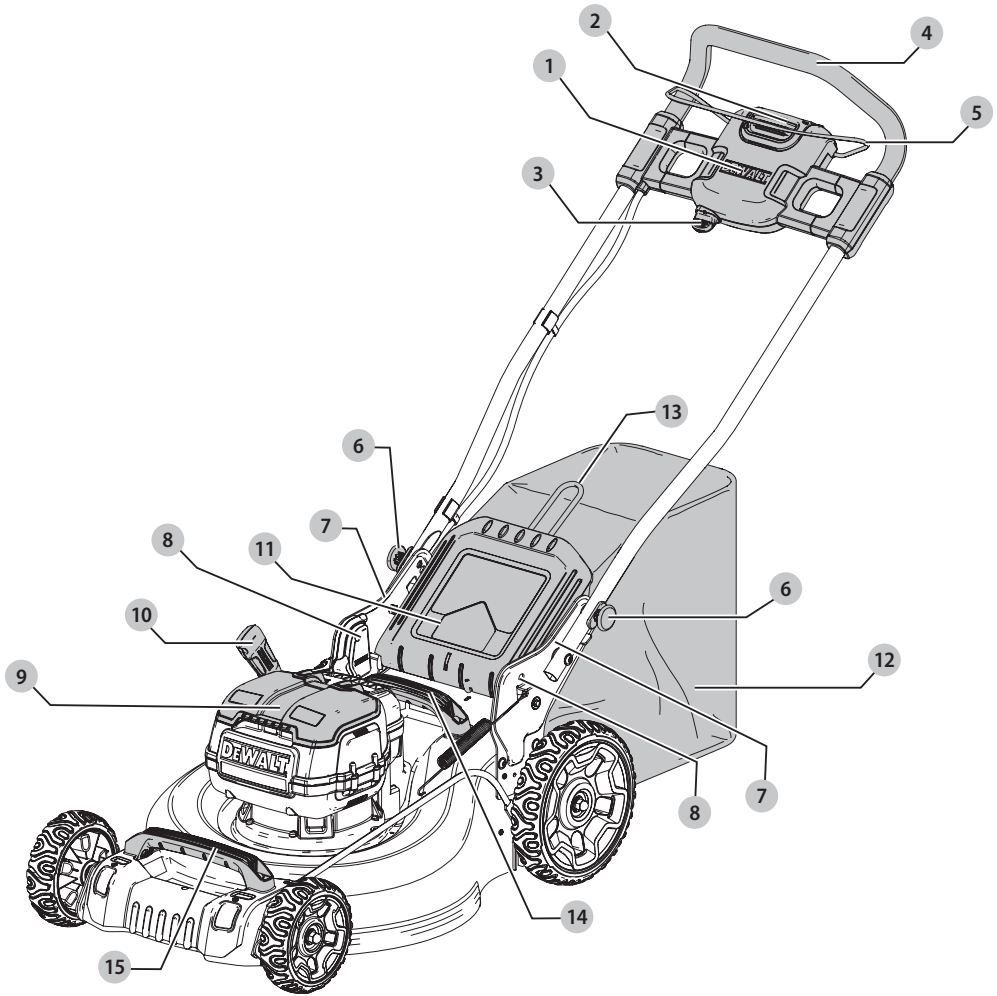


Fig. B

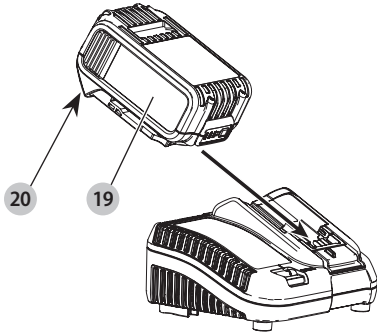


Fig. C

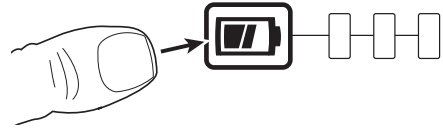


Fig. D

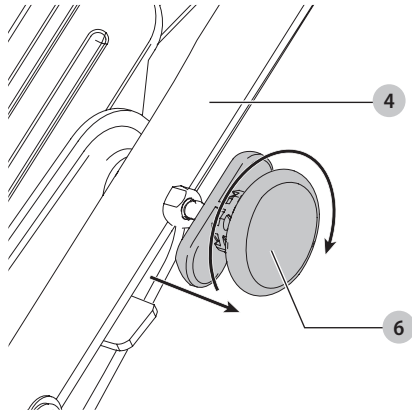


Fig. E

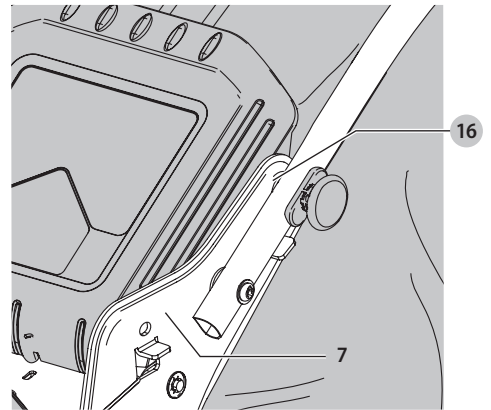


Fig. F

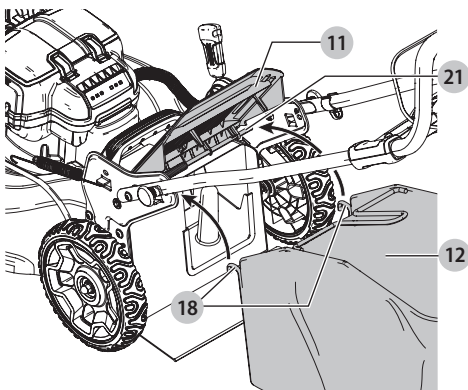


Fig. G

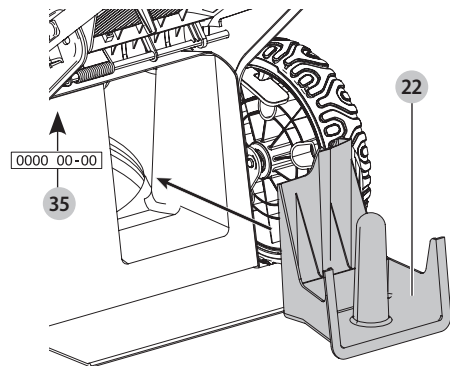


Fig. H

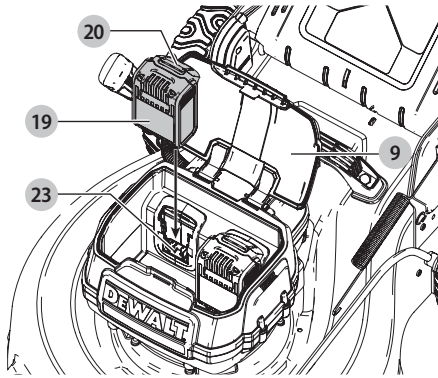


Fig. I

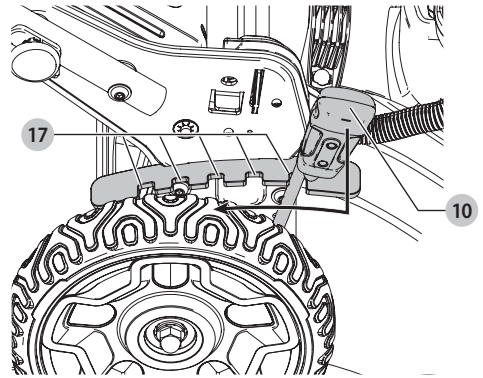


Fig. J

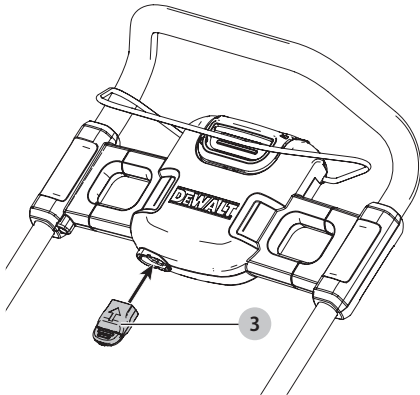


Fig. K

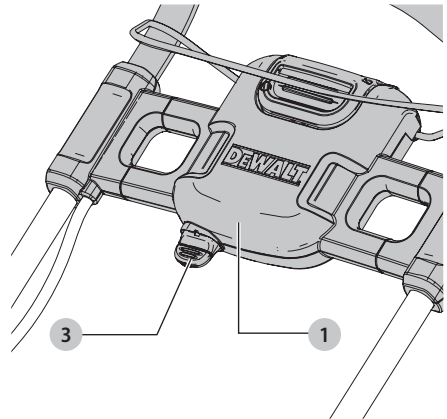


Fig. L

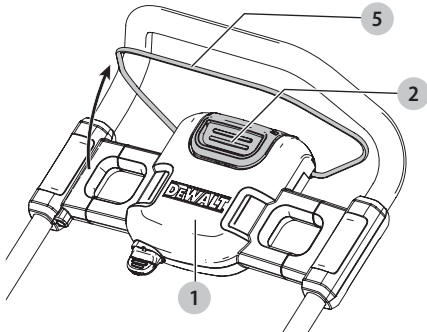


Fig. M

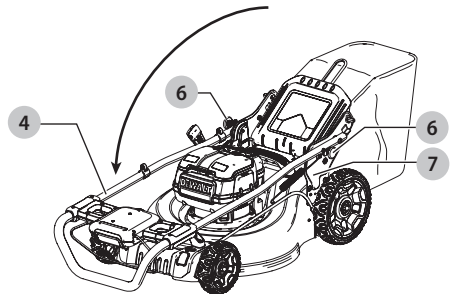


Fig.N

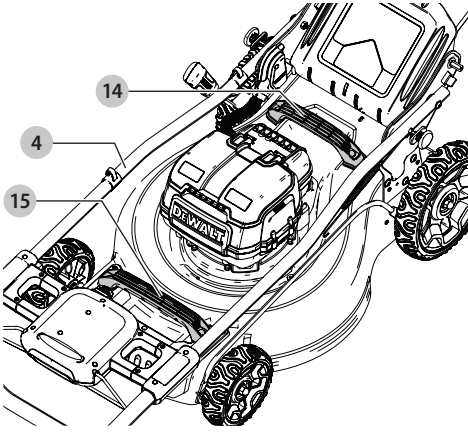


Fig.O

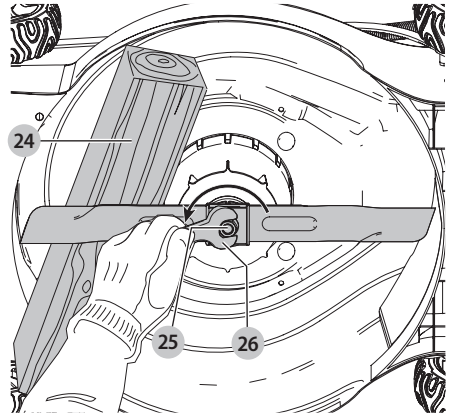


Fig.P

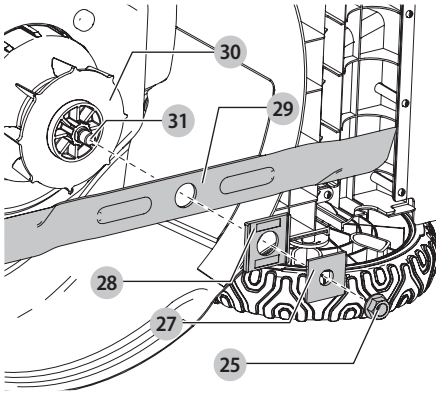


Fig.Q

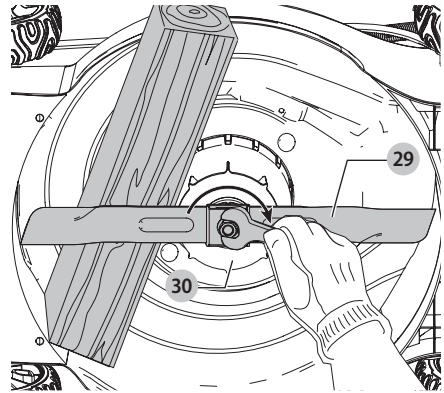


Fig.R

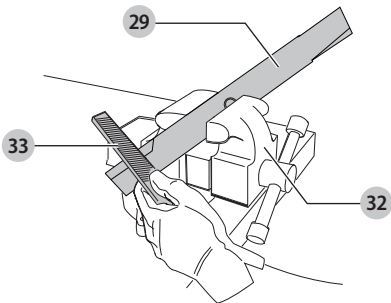
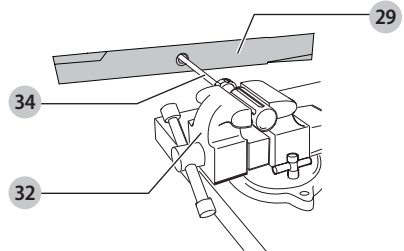


Fig.S



2 X 18V LAWN MOWER

DCMW564

Congratulations!

You have chosen a DeWALT tool. Years of experience, thorough product development and innovation make DeWALT one of the most reliable partners for professional power tool users.

Technical Data

		DCMW564
Voltage	V_{DC}	2 x 18
Type		1
Battery type		Li-Ion
No load speed	rpm	3300
Blade Length	cm	48
Weight (without battery pack)	kg	25.9

Noise values and vibration values (triax vector sum) according to EN60335:

L_{PA} (emission sound pressure level)	dB(A)	79.5
L_{WA} (sound power level)	dB(A)	92
K (uncertainty for the given sound level)	dB(A)	2.0

Hand/arm weighted vibration value:

Vibration emission value a_{Hv} =	m/s^2	2.5
Uncertainty K =	m/s^2	1.5

The vibration emission level given in this information sheet has been measured in accordance with a standardised test given in EN60335 and may be used to compare one tool with another. It may be used for a preliminary assessment of exposure.

WARNING: The declared vibration emission level represents the main applications of the tool. However if the tool is used for different applications, with different accessories or poorly maintained, the vibration emission may differ. This may significantly increase the exposure level over the total working period.

An estimation of the level of exposure to vibration should also take into account the times when the tool is switched off or when it is running but not actually doing the job. This may significantly reduce the exposure level over the total working period.

Identify additional safety measures to protect the operator from the effects of vibration such as: maintain the tool and the accessories, keep the hands warm, organisation of work patterns.

EC-Declaration of Conformity

Machinery Directive



Lawn Mower DCMW564

DeWALT declares that these products described under **Technical Data** are in compliance with: 2006/42/EC, EN60335-1:2012 + A11:2014, EN 60335-2-77:2010. These products also comply with Directive 2014/30/EU and 2011/65/EU. For more information, please contact DeWALT at the following address or refer to the back of the manual. The undersigned is responsible for compilation of the technical file and makes this declaration on behalf of DeWALT.

2000/14/EC, Lawn Mower, L < 50cm, Annex VI, DEKRA Certification B.V., Meander 1051 / P.O. Box 5185
6825 MJ ARNHEM / 6802 ED ARNHEM, Netherlands
Notified Body ID No.: 0344

Level of acoustic power according to 2000/14/EC (Article 12, Annex III, L < 50cm):

L_{WA} (measured sound power) 92 dB(A)
uncertainty (K) = 2 dB(A)

L_{WA} (guaranteed sound power) 96 dB(A)

Markus Rompel
Director Engineering
DeWALT, Richard-Klinger-Straße 11,
D-65510, Idstein, Germany
19.12.2017



WARNING: To reduce the risk of injury, read the instruction manual.

Definitions: Safety Guidelines

The definitions below describe the level of severity for each signal word. Please read the manual and pay attention to these symbols.



DANGER: Indicates an imminently hazardous situation which, if not avoided, **will** result in **death or serious injury**.



WARNING: Indicates a potentially hazardous situation which, if not avoided, **could** result in **death or serious injury**.



CAUTION: Indicates a potentially hazardous situation which, if not avoided, **may** result in **minor or moderate injury**.

Batteries				Chargers/Charge Times (Minutes)					
Cat #	V _{oc}	Ah	Weight (kg)	DCB107	DCB113	DCB115	DCB118	DCB132	DCB119
DCB546	18/54	6.0/2.0	1.05	270	140	90	60	90	X
DCB547	18/54	9.0/3.0	1.25	420	220	140	85	140	X
DCB181	18	1.5	0.35	70	35	22	22	22	45
DCB182	18	4.0	0.61	185	100	60	60	60	120
DCB183/B	18	2.0	0.40	90	50	30	30	30	60
DCB184/B	18	5.0	0.62	240	120	75	75	75	150
DCB185	18	1.3	0.35	60	30	22	22	22	X
DCB187	18	3.0	0.48	140	70	45	45	45	90

NOTICE: Indicates a practice **not related to personal injury** which, if not avoided, **may result in property damage.**



Denotes risk of electric shock.



Denotes risk of fire.

Safety Instructions



WARNING: When using cordless appliances, basic safety precautions, including the following, should always be followed to reduce the risk of fire, electric shock, personal injury and material damage.



WARNING: When using the machine the safety rules must be followed. For your own safety and bystanders please read these instructions before operating the machine. Please keep the instructions safe for later use.

- Read all of this manual carefully before operating the appliance.
- The intended use is described in this manual. The use of any accessory or attachment or the performance of any operation with this appliance other than those recommended in this instruction manual may present a risk of personal injury.
- Retain this manual for future reference.

SAVE ALL WARNINGS AND INSTRUCTIONS FOR FUTURE REFERENCE

Using Your Appliance

Always take care when using the appliance.

- This appliance is not intended for use by young or infirm persons without supervision.
- The appliance is not to be used as a toy.
- Do not allow children or animals to come near the work area or touch the appliance.
- Close supervision is necessary when the appliance is used near children.
- Use in a dry location only. Do not allow the appliance to become wet.
- Do not immerse the appliance in water.

- Do not open body casing. There are no user serviceable parts inside.
- Do not operate the appliance in explosive atmospheres, such as in the presence of flammable liquids, gases or dust.
- Before using, always visually inspect to see that the blades, blade bolts and cutter assembly are not worn or damaged. Replace worn or damaged blades and bolts in sets to preserve balance.
- Never operate the machine while people, especially children, or pets are nearby.
- Keep in mind that the operator or user is responsible for accidents or hazards occurring to other people or their property.

Before Use

- While operating the machine always wear substantial footwear and long trousers. Do not operate the machine when barefoot or wearing open sandals. Avoid wearing clothing that is loose fitting or that has hanging cords or ties.
- Thoroughly inspect the area where the machine is to be used and remove all objects which can be thrown by the machine.
- Before using, always visually inspect to see that the blade, blade bolt and the blade assembly are not worn or damaged. Replace worn or damaged components in sets to preserve balance. Replace damaged or unreadable labels.

After Use

- When not in use, the appliance should be stored in a dry, well ventilated place out of the reach of children.
- Children should not have access to stored appliances.
- When the appliance is stored or transported in a vehicle it should be placed in the boot or restrained to prevent movement following sudden changes in speed or direction.

Inspection and Repairs

- Before use, check the appliance for damaged or defective parts. Check for breakage of parts, damage to switches and any other conditions that may affect its operation.
- Do not use the appliance if any part is damaged or defective.
- Have any damaged or defective parts repaired or replaced by an authorised repair agent.
- Never attempt to remove or replace any parts other than those specified in this manual.

- *Be careful during adjustment of the mower to prevent entrapment of the fingers between moving blades/parts and fixed parts of the machine.*
- *When servicing the blades be aware that, even though the power source is switched off, the blades can still be moved.*

Additional Safety Instructions for Lawn Mowers

- *Do not transport the machine while the power source is running.*
- *Firmly grip handle with both hands when operating the lawn mower.*
- *If at any time it is felt necessary to tilt the lawn mower, make sure that both hands remain in the operating position while the lawn mower is tilted. Keep both hands in the operating position until the lawn mower is returned to rest correctly on the ground.*
- *Never wear radio or music headphones while operating the lawn mower.*
- *Never attempt to make a wheel height adjustment while the motor is running or while the safety key is in the switch housing.*
- *If the lawn mower stalls, release bail bar to turn mower off, wait for blade to stop, before attempting to unclog the chute or remove anything from under the deck.*
- *Keep hands and feet away from cutting area.*
- *Keep blades sharp. Always use protective gloves when handling the lawn mower blade.*
- *If you are using the grass collector, check it frequently for wear and deterioration. If excessively worn, replace with a new grass collector for your safety.*
- *Use extreme caution when reversing or pulling the lawn mower towards you.*
- *Do not put hands or feet near or under the lawn mower. Keep clear of the discharger opening at all times.*
- *Clear the area where the lawn mower is to be used of objects such as rocks, sticks, wire, toys, bones etc., which could be thrown by the blade. Objects struck by the blade can cause severe injury to persons. Stay behind the handle when the motor is running.*
- *Do not operate the lawn mower barefooted or while wearing sandals. Always wear substantial footwear.*
- *Do not pull lawn mower backward unless absolutely necessary. Always look down and behind before and while moving backward.*
- *Never direct discharged material toward anyone. Avoid discharging material against a wall or obstruction. Material may ricochet back toward the operator. Release the bail bar to turn the lawn mower off and stop the blade when crossing gravel surfaces.*
- *Do not operate the lawn mower without the entire grass collector, discharge guard, rear guard, or other safety protective devices in place and working. Periodically check all guards and safety protective devices to ensure they are in good working order and will operate properly and perform their intended function. Replace a damaged guard or other safety device before further use.*
- *Never leave a running lawn mower unattended.*
- *Always release the bail bar to stop the motor and wait until the blade comes to a complete stop before cleaning the lawn mower, removing the grass bag, unclogging the discharge guard, when leaving the lawn mower, or before making any adjustments, repairs or inspections.*
- *Operate lawn mower only in daylight or good artificial light when objects in the path of the blade are clearly visible from the operating area of the lawn mower.*
- *Do not operate the lawn mower while under the influence of alcohol or drugs, or when you are tired or ill. Always stay alert, watch what you are doing, and use common sense.*
- *Avoid dangerous environments. Never operate the lawn mower in damp or wet grass, never use lawn mower in the rain. Always be sure of your footing, walk, never run.*
- *If the lawn mower should start to vibrate abnormally, release the bail bar, wait for the blade to stop and then check for the cause immediately. Vibration is generally a warning of trouble, see the **Troubleshooting** for advice in the case of abnormal vibration.*
- *Always wear proper eye and respiratory protection when operating the lawn mower.*
- *The use of any accessory or attachment not recommended for use with this lawn mower could be hazardous. Only use accessories approved by DEWALT.*
- *Never overreach while operating the lawn mower. Always be sure to keep proper footing and balance at all times while operating the lawn mower.*
- *Mow across the face of slopes, never up and down. Exercise extreme caution when changing direction on slopes.*
- *Watch for holes, ruts, bumps, rocks or other hidden objects. Uneven terrain could cause a slip and fall accident. Tall grass can hide obstacles.*
- *Do not mow on wet grass or excessively steep slopes. Poor footing could cause a slip and fall accident.*
- *Do not mow near drop-offs, ditches, or embankments. You could lose your footing or balance.*
- *Always allow the mower to cool down before storing.*
- *Pull the plug from the socket and pull the battery pack from the machine. Make sure that all moving parts have come to a complete stop:*
 - *Whenever you leave the machine;*
 - *Before clearing a blockage;*
 - *Before checking, cleaning or working on the appliance.*

Safety of Others

- *This appliance is not intended for use by persons (including children) with reduced physical, sensory or mental capabilities, or lack of experience and knowledge, unless they have been given supervision or instruction concerning use of the appliance by a person responsible for their safety.*
- *Children must be supervised to ensure that they do not play with the appliance.*

- After striking a foreign object. Inspect the appliance for damage and make repairs as necessary.

Residual Risks

In spite of the application of the relevant safety regulations and the implementation of safety devices, certain residual risks cannot be avoided. These are:

- Injuries caused by touching any rotating/moving parts.
- Injuries caused when changing any parts, blades or accessories.
- Injuries caused by prolonged use of a tool. When using any tool for prolonged periods ensure you take regular breaks.
- Impairment of hearing.
- Health hazards caused by breathing dust developed when using your tool (example:- working with wood, especially oak, beech and MDF.)
- Never pick up or carry an appliance while the motor is running.

Electrical Safety

The electric motor has been designed for one voltage only. Always check that the battery pack voltage corresponds to the voltage on the rating plate. Also make sure that the voltage of your charger corresponds to that of your mains.



Your DeWALT charger is double insulated in accordance with EN60335; therefore no earth wire is required.

If the supply cord is damaged, it must be replaced by a specially prepared cord available through the DeWALT service organisation.

Mains Plug Replacement (U.K. & Ireland Only)

If a new mains plug needs to be fitted:

- Safely dispose of the old plug.
- Connect the brown lead to the live terminal in the plug.
- Connect the blue lead to the neutral terminal.



WARNING: No connection is to be made to the earth terminal.

Follow the fitting instructions supplied with good quality plugs. Recommended fuse: 3 A.

Using an Extension Cable

An extension cord should not be used unless absolutely necessary. Use an approved extension cable suitable for the power input of your charger (see **Technical Data**). The minimum conductor size is 1 mm²; the maximum length is 30 m.

When using a cable reel, always unwind the cable completely.

SAVE THESE INSTRUCTIONS

Chargers

DeWALT chargers require no adjustment and are designed to be as easy as possible to operate.

Important Safety Instructions for All Battery Chargers

SAVE THESE INSTRUCTIONS: This manual contains important safety and operating instructions for compatible battery chargers (refer to **Technical Data**).

- Before using charger, read all instructions and cautionary markings on charger, battery pack, and product using battery pack.



WARNING: Shock hazard. Do not allow any liquid to get inside charger. Electric shock may result.



WARNING: We recommend the use of a residual current device with a residual current rating of 30mA or less.



CAUTION: Burn hazard. To reduce the risk of injury, charge only DeWALT rechargeable batteries. Other types of batteries may burst causing personal injury and damage.



CAUTION: Children should be supervised to ensure that they do not play with the appliance.

NOTICE: Under certain conditions, with the charger plugged into the power supply, the exposed charging contacts inside the charger can be shorted by foreign material. Foreign materials of a conductive nature such as, but not limited to, steel wool, aluminum foil or any buildup of metallic particles should be kept away from charger cavities. Always unplug the charger from the power supply when there is no battery pack in the cavity. Unplug charger before attempting to clean

- **DO NOT attempt to charge the battery pack with any chargers other than the ones in this manual.** The charger and battery pack are specifically designed to work together.
- **These chargers are not intended for any uses other than charging DeWALT rechargeable batteries.** Any other uses may result in risk of fire, electric shock or electrocution.
- **Do not expose charger to rain or snow.**
- **Pull by plug rather than cord when disconnecting charger.** This will reduce risk of damage to electric plug and cord.
- **Make sure that cord is located so that it will not be stepped on, tripped over, or otherwise subjected to damage or stress.**
- **Do not use an extension cord unless it is absolutely necessary.** Use of improper extension cord could result in risk of fire, electric shock, or electrocution.
- **Do not place any object on top of charger or place the charger on a soft surface that might block the ventilation slots and result in excessive internal heat.** Place the charger in a position away from any heat source. The charger is ventilated through slots in the top and the bottom of the housing.
- **Do not operate charger with damaged cord or plug—** have them replaced immediately.
- **Do not operate charger if it has received a sharp blow, been dropped, or otherwise damaged in any way.** Take it to an authorised service centre.
- **Do not disassemble charger; take it to an authorised service centre when service or repair is required.** Incorrect

reassembly may result in a risk of electric shock, electrocution or fire.

- In case of damaged power supply cord the supply cord must be replaced immediately by the manufacturer, its service agent or similar qualified person to prevent any hazard.
- **Disconnect the charger from the outlet before attempting any cleaning. This will reduce the risk of electric shock.** Removing the battery pack will not reduce this risk.
- **NEVER** attempt to connect two chargers together.
- **The charger is designed to operate on standard 230V household electrical power. Do not attempt to use it on any other voltage.** This does not apply to the vehicular charger.







Charging a Battery (Fig. B)

1. Plug the charger into an appropriate outlet before inserting battery pack.
2. Insert the battery pack **19** into the charger, making sure the battery pack is fully seated in the charger. The red (charging) light will blink repeatedly indicating that the charging process has started.
3. The completion of charge will be indicated by the red light remaining ON continuously. The battery pack is fully charged and may be used at this time or left in the charger. To remove the battery pack from the charger, push the battery release button **20** on the battery pack.

NOTE: To ensure maximum performance and life of lithium-ion battery packs, charge the battery pack fully before first use.

Charger Operation

Refer to the indicators below for the charge status of the battery pack.

Charge Indicators	
 Charging	
 Fully Charged	
 Hot/Cold Pack Delay*	

*The red light will continue to blink, but a yellow indicator light will be illuminated during this operation. Once the battery pack has reached an appropriate temperature, the yellow light will turn off and the charger will resume the charging procedure.

The compatible charger(s) will not charge a faulty battery pack. The charger will indicate faulty battery by refusing to light or by displaying problem pack or charger blink pattern.

NOTE: This could also mean a problem with a charger.

If the charger indicates a problem, take the charger and battery pack to be tested at an authorised service centre.

Hot/Cold Pack Delay

When the charger detects a battery pack that is too hot or too cold, it automatically starts a Hot/Cold Pack Delay, suspending charging until the battery pack has reached an appropriate temperature. The charger then automatically switches to the

pack charging mode. This feature ensures maximum battery pack life.

A cold battery pack will charge at a slower rate than a warm battery pack. The battery pack will charge at that slower rate throughout the entire charging cycle and will not return to maximum charge rate even if the battery pack warms.

The DCB115 charger is equipped with an internal fan designed to cool the battery pack. The fan will turn on automatically when the battery pack needs to be cooled. Never operate the charger if the fan does not operate properly or if ventilation slots are blocked. Do not permit foreign objects to enter the interior of the charger.

Electronic Protection System

XR Li-Ion tools are designed with an Electronic Protection System that will protect the battery pack against overloading, overheating or deep discharge.

The tool will automatically turn off if the Electronic Protection System engages. If this occurs, place the lithium-ion battery pack on the charger until it is fully charged.

Wall Mounting

These chargers are designed to be wall mountable or to sit upright on a table or work surface. If wall mounting, locate the charger within reach of an electrical outlet, and away from a corner or other obstructions which may impede air flow. Use the back of the charger as a template for the location of the mounting screws on the wall. Mount the charger securely using drywall screws (purchased separately) at least 25.4 mm long with a screw head diameter of 7–9 mm, screwed into wood to an optimal depth leaving approximately 5.5 mm of the screw exposed. Align the slots on the back of the charger with the exposed screws and fully engage them in the slots.

Charger Cleaning Instructions

WARNING: Shock hazard. Disconnect the charger from the AC outlet before cleaning. Dirt and grease may be removed from the exterior of the charger using a cloth or soft non-metallic brush. Do not use water or any cleaning solutions. Never let any liquid get inside the tool; never immerse any part of the tool into a liquid.

Battery Packs

Important Safety Instructions for All Battery Packs

When ordering replacement battery packs, be sure to include catalogue number and voltage.

The battery pack is not fully charged out of the carton. Before using the battery pack and charger, read the safety instructions below. Then follow charging procedures outlined.


READ ALL INSTRUCTIONS


- **Do not charge or use battery in explosive atmospheres, such as in the presence of flammable liquids, gases or dust.** Inserting or removing the battery from the charger may ignite the dust or fumes.
- **Never force battery pack into charger. Do not modify battery pack in any way to fit into a non-compatible**


charger as battery pack may rupture causing serious personal injury.

- Charge the battery packs only in DeWALT chargers.
- **DO NOT** splash or immerse in water or other liquids.
- **Do not store or use the tool and battery pack in locations where the temperature may reach or exceed 40 °C (104 °F) (such as outside sheds or metal buildings in summer).**
- **Do not incinerate the battery pack even if it is severely damaged or is completely worn out.** The battery pack can explode in a fire. Toxic fumes and materials are created when lithium-ion battery packs are burned.
- **If battery contents come into contact with the skin, immediately wash area with mild soap and water.** If battery liquid gets into the eye, rinse water over the open eye for 15 minutes or until irritation ceases. If medical attention is needed, the battery electrolyte is composed of a mixture of liquid organic carbonates and lithium salts.
- **Contents of opened battery cells may cause respiratory irritation.** Provide fresh air. If symptoms persists, seek medical attention.


 **WARNING:** Burn hazard. Battery liquid may be flammable if exposed to spark or flame.

 **WARNING:** Never attempt to open the battery pack for any reason. If battery pack case is cracked or damaged, do not insert into charger. Do not crush, drop or damage battery pack. Do not use a battery pack or charger that has received a sharp blow, been dropped, run over or damaged in any way (i.e., pierced with a nail, hit with a hammer, stepped on). Electric shock or electrocution may result. Damaged battery packs should be returned to service centre for recycling.

 **WARNING:** Fire hazard. Do not store or carry the battery pack so that metal objects can contact exposed battery terminals. For example, do not place the battery pack in aprons, pockets, tool boxes, product kit boxes, drawers, etc., with loose nails, screws, keys, etc.

 **CAUTION:** When not in use, place tool on its side on a stable surface where it will not cause a tripping or falling hazard. Some tools with large battery packs will stand upright on the battery pack but may be easily knocked over.

Transportation

 **WARNING:** Fire hazard. Transporting batteries can possibly cause fire if the battery terminals inadvertently come in contact with conductive materials. When transporting batteries, make sure that the battery terminals are protected and well insulated from materials that could contact them and cause a short circuit.

DeWALT batteries comply with all applicable shipping regulations as prescribed by industry and legal standards which include UN Recommendations on the Transport of Dangerous Goods; International Air Transport Association (IATA) Dangerous Goods Regulations, International Maritime Dangerous Goods (IMDG) Regulations, and the European Agreement Concerning

The International Carriage of Dangerous Goods by Road (ADR). Lithium-ion cells and batteries have been tested to section 38.3 of the UN Recommendations on the Transport of Dangerous Goods Manual of Tests and Criteria.

In most instances, shipping a DeWALT battery pack will be excepted from being classified as a fully regulated Class 9 Hazardous Material. In general, only shipments containing a lithium-ion battery with an energy rating greater than 100 Watt Hours (Wh) will require being shipped as fully regulated Class 9. All lithium-ion batteries have the Watt Hour rating marked on the pack. Furthermore, due to regulation complexities, DeWALT does not recommend air shipping lithium-ion battery packs alone regardless of Watt Hour rating. Shipments of tools with batteries (combo kits) can be air shipped as excepted if the Watt Hour rating of the battery pack is no greater than 100 Whr. Regardless of whether a shipment is considered excepted or fully regulated, it is the shipper's responsibility to consult the latest regulations for packaging, labeling/markings and documentation requirements.

The information provided in this section of the manual is provided in good faith and believed to be accurate at the time the document was created. However, no warranty, expressed or implied, is given. It is the buyer's responsibility to ensure that its activities comply with the applicable regulations.

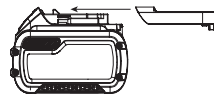
Transporting the FLEXVOLT™ Battery

The DeWALT FLEXVOLT™ battery has two modes: **Use** and **Transport**.

Use Mode: When the FLEXVOLT™ battery stands alone or is in a DeWALT 18V product, it will operate as an 18V battery. When the FLEXVOLT™ battery is in a 54V or a 108V (two 54V batteries) product, it will operate as a 54V battery.

Transport Mode: When the cap is attached to the FLEXVOLT™ battery, the battery is in Transport mode. Keep the cap for shipping.

When in Transport mode, strings of cells are electrically disconnected within the pack resulting in 3 batteries with a lower Watt hour (Wh) rating as compared to 1 battery with a higher Watt hour rating. This increased quantity of 3 batteries with the lower Watt hour rating can exempt the pack from certain shipping regulations that are imposed upon the higher Watt hour batteries.



For example, the Transport Wh rating might indicate 3 x 36 Wh, meaning 3 batteries of 36 Wh each.

Example of Use and Transport Label Marking



The Use Wh rating might indicate 108 Wh (1 battery implied).

Storage Recommendations

1. The best storage place is one that is cool and dry away from direct sunlight and excess heat or cold. For optimum battery performance and life, store battery packs at room temperature when not in use.

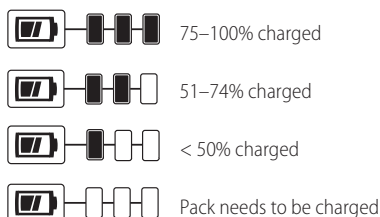
2. For long storage, it is recommended to store a fully charged battery pack in a cool, dry place out of the charger for optimal results.

NOTE: Battery packs should not be stored completely depleted of charge. The battery pack will need to be recharged before use.

Fuel Gauge Battery Packs (Fig. C)

Some DEWALT battery packs include a fuel gauge which consists of three green LED lights that indicate the level of charge remaining in the battery pack.

The fuel gauge is an indication of approximate levels of charge remaining in the battery pack according to the following indicators:



To actuate the fuel gauge, press and hold the fuel gauge button. A combination of the three green LED lights will illuminate designating the level of charge left. When the level of charge in the battery is below the usable limit, the fuel gauge will not illuminate and the battery will need to be recharged.

NOTE: The fuel gauge is only an indication of the charge left on the battery pack. It does not indicate tool functionality and is subject to variation based on product components, temperature and end-user application.

Labels on Charger and Battery Pack

In addition to the pictographs used in this manual, the labels on the charger and the battery pack may show the following pictographs:



Read instruction manual before use.



See **Technical Data** for charging time.



Do not probe with conductive objects.



Do not charge damaged battery packs.



Do not expose to water.



Have defective cords replaced immediately.



Charge only between 4 °C and 40 °C.



Only for indoor use.



Discard the battery pack with due care for the environment.



Charge DEWALT battery packs only with designated DEWALT chargers. Charging battery packs other than the designated DEWALT batteries with a DEWALT charger may make them burst or lead to other dangerous situations.



Do not incinerate the battery pack.



USE (without transport cap). Example: Wh rating indicates 108 Wh (1 battery with 108 Wh).



TRANSPORT (with built-in transport cap). Example: Wh rating indicates 3 x 36 Wh (3 batteries of 36 Wh).

Battery Type

The DCMW564 operates on two 18V battery packs.

For optimum results, use DCB184, DCB546 or DCB547

Refer to **Technical Data** for more information.

Package Contents

The package contains:

- 1 Lawn mower
- 1 Charger
- 1 Grass Collection Bag
- 1 Mulching Plug
- 1 Safety Key
- 1 Li-Ion battery pack (C1, D1, L1, M1, P1, S1, T1, X1 models)
- 2 Li-Ion battery packs (C2, D2, L2, M2, P2, S2, T2, X2 models)
- 3 Li-Ion battery packs (C3, D3, L3, M3, P3, S3, T3, X3 models)
- 1 Instruction manual

NOTE: Battery packs, chargers and kitboxes are not included with N models. Battery packs and chargers are not included with NT models. B models include Bluetooth® battery packs.

NOTE: The Bluetooth® word mark and logos are registered trademarks owned by the Bluetooth®, SIG, Inc. and any use of such marks by DEWALT is under license. Other trademarks and trade names are those of their respective owners.

- Check for damage to the tool, parts or accessories which may have occurred during transport.
- Take the time to thoroughly read and understand this manual prior to operation.

Markings on Tool

The following pictographs are shown on the tool:



Read instruction manual before use.



Wear eye protection.



Beware of sharp blades. Blades continue to rotate after the motor is switched off. Remove disabling device before maintenance or if cord is damaged.



Beware of flying objects. Keep bystanders away from the cutting area.



Directive 2000/14/EC guaranteed sound power.



Do not expose to rain.



The blades will continue to rotate after the machine is switched off.

Date Code Position (Fig. G)

The date code **35**, which also includes the year of manufacture, is printed into the housing.

Example:

2018 XX-XX
Year of Manufacture

Description (Fig. A)

WARNING: Never modify the power tool or any part of it. Damage or personal injury could result.

- 1 ON-OFF Switch box
- 2 ON-OFF button
- 3 Safety key
- 4 Handle
- 5 Bail handle
- 6 Handle locks
- 7 Handle brackets
- 8 Handle storage detent holes
- 9 Battery port cover
- 10 Cut height adjust lever
- 11 Rear door cover
- 12 Grass collection bag
- 13 Grass collection bag handle
- 14 Upper carrying handle
- 15 Lower carrying handle

Intended Use

This lawn mower has been designed for professional lawn mowing applications.

DO NOT use under wet conditions or in presence of flammable liquids or gases.

This lawn mower is a professional lawn care appliance.

DO NOT let children come into contact with the tool. Supervision is required when inexperienced operators use this tool.

ASSEMBLY



DANGER: To reduce the risk of serious personal injury, turn unit off, remove safety key, and remove battery packs before assembly, making any adjustments or removing/installing attachments or accessories. An accidental start-up can cause injury.

Adjusting Handle Height (Fig. D, E)

The mower is shipped in storage mode. You will need to adjust the handle to operating position before continuing.

1. To unlock the handle **4** from storage position, pull and twist a half turn the two handle locks **6** located on both sides of the handle as shown in Fig. D.
2. Raise the handle to operating position.
3. Locate the two handle detent holes **16** located on the handle brackets **7** as shown in Fig. E.
4. Adjust the handle to the position that best fits the operator and lock the handle in place by untwisting the handle locks **6** allowing them to snap into the desired detent holes.

Grass Collection Bag (Fig. F, G)



DANGER: Remove safety key and battery packs before removing mulching insert, and when opening rear door cover and installing bag.

1. Ensure the mulching insert **22** (Fig. G) is removed from the mower before proceeding to step 2.
2. Lift the rear door cover **11** and place the grass collection bag **12** onto the mower so the bag hooks **18** rest on the lugs **21** as shown in Fig. F. Then lower the rear door cover.

Grass Mulching Insert (Fig. A, G)



DANGER: Remove safety key and battery packs before removing collection bag, and when installing mulching insert.

1. Ensure the grass collection bag **12** is not attached before proceeding to step 2.
2. Lift the rear door cover **11** and slide the mulching insert **22** fully into the mower as shown in Fig. G.
3. Ensure the rear door cover is down before turning mower on.

Rear Discharge



DANGER: Remove safety key and battery packs before removing collection bag, and mulching insert.

1. To operate mower in rear discharge mode remove both the bag and the mulching insert.
2. Be sure rear door cover is down for rear discharge.
NOTE: The rear door is shaped in such a way that the opening (at the bottom) cannot be completely closed off.

OPERATION



DANGER: To reduce the risk of serious personal injury, turn unit off, remove safety key, and remove battery packs before making any adjustments or

removing/installing attachments or accessories. An accidental start-up can cause injury.

Installing and Removing the Battery Packs (Fig. H)

⚠ DANGER: MAKE CERTAIN THE SAFETY KEY IS REMOVED TO PREVENT ACTUATION BEFORE REMOVING OR INSTALLING BATTERY.

This mower is designed to operate on two battery packs of equal capacity. The mower will not operate on a single battery pack, and if using different capacity battery packs, the smaller capacity battery pack, when depleted, will cause the unit to turn off.

NOTE: For best results, make sure each battery pack is fully charged.

To Install Battery Packs

1. Lift and hold the battery port cover **9** up to expose the battery ports **23**.
2. Slide a battery **16** into each of the two battery ports until an audible click is heard (Fig. H). Make sure the battery packs are fully seated and fully latched into position.
3. Close the battery port cover. Ensure the cover is fully closed before starting mower.

To Remove Battery Packs

1. Open the battery port cover **9** as described above.
2. Depress the battery release button **15** on the battery pack and pull battery pack **16** out of tool.

READ THIS INSTRUCTION MANUAL BEFORE OPERATING YOUR MOWER

Refer to Figure A at the beginning of this manual for a complete list of components. Save this manual for future reference.

⚠ DANGER: Sharp moving blade. Do not operate the mower in mulching mode if the rear door is not closed under spring tension as serious injury could result. Take your mower to the nearest service centre for repair.

⚠ DANGER: Do not operate mower unless handle is locked into position.

⚠ DANGER: Sharp moving blade. Never operate the mower in bagging mode unless the hanger hooks on the grass catcher are seated properly on the mower and the rear discharge door rests firmly against the top of the grass catcher as serious injury could result.

⚠ WARNING: Let the mower work at its own pace. Do not overload.

Adjusting Mower Height (Fig. I)

The height of cut is adjusted by the central cut height adjust lever.

NOTE: If you are not sure which height to cut, begin mowing with the cut height adjustment lever **10** positioned towards the rear of the appliance and adjust the height down as needed, as shown in Fig. I.

To Set the Height of Cut

1. Pull the cut height adjustment lever **10** out of the locking notch **17**.
2. Move the lever towards the rear of the appliance to raise the height of cut.
3. Move the lever towards the front of the appliance to lower the height of cut.
4. Push the height adjustment lever into one of the locking notches.

Safety Key (Fig. J)

⚠ DANGER: Sharp moving blade. In order to prevent accidental start-up or unauthorised use of your Cordless Mower, a removable safety key **3** has been incorporated into the design of your mower. The mower will be completely disabled when the safety key has been removed from the mower.

NOTE: The safety key has a rope attached to allow for storage on a nail, out of the reach of children. do not tether safety key to mower.

⚠ DANGER: Rotating blades can cause serious injury. To prevent serious injury, remove safety key and battery packs when unattended, or when charging, cleaning, servicing, transporting, lifting, or storing mower.

Starting Mower (Fig. K, L)

⚠ DANGER: Sharp moving blade. Never attempt to override the operation of this switch box and safety key system as serious injury could result.

NOTE: Mower is operational when batteries and safety key are installed.

1. Insert safety key **3** into the ON-OFF switch box **1** until it is fully seated inside housing as shown in Fig. K. The mower is now operational.
2. Your mower is equipped with a special ON-OFF switch box **1**. To operate the mower, push and hold the ON-OFF button **2** on the ON-OFF switch box **1**, then pull the bail handle **5** to the handlebar as shown in Fig. L. Once the mower starts you can release the ON-OFF button.
3. To turn the mower OFF, release the bail handle **5**.

⚠ WARNING: Never attempt to lock a switch or bail handle in the ON position.

NOTE: Once the bail handle has returned to the original position it will activate the "Automatic Braking Mechanism". The motor is mechanically braked and the mower blade will stop rotating in three seconds or less.

Mower Overload

To prevent damage due to overload conditions, do not try to remove too much grass at one time. Slow down your cutting pace, or raise the cut height.

Storage (Fig. A, M)

⚠ DANGER: Rotating blade can cause serious injury. Release bail handle **5** to turn mower off, remove safety key, and

remove batteries before lifting, transporting, or storing the mower. Store in a dry place.



CAUTION: Pinch point. To avoid being pinched, keep fingers away from area around handle brackets when folding down handles.



CAUTION: Make sure cord does not become stretched or pinched in the area between the handle and handle bracket during folding. This can cause damage to the cord.

The handle of the mower can be easily folded down for quick and convenient storage.

1. To unlock the handle **4**, pull and twist a half turn the two handle locks **6** located on both sides of the handle.
2. Fold the handle to the front of the mower as shown in Fig. M.
3. Locate the handle storage detent holes **8** located on the handle brackets **7** as shown in Fig. M.
4. Lock the handle in place by untwisting the handle locks **6** allowing them to snap into the storage detent holes and ensure the handle is firmly latched as shown in Fig. M.

Carrying the Mower (Fig. A, N)



DANGER: Rotating blades can cause serious injury. To prevent serious injury, remove safety key and battery packs when unattended, or when charging, cleaning, servicing, transporting, lifting, or storing mower.

- The mower can be carried using the convenient carry handles **14**, **15** as shown in Fig. N. DO NOT attempt to lift the mower by grasping the main handle **4**.

Mowing Tips



WARNING: ALWAYS INSPECT AREA WHERE MOWER IS TO BE USED AND REMOVE ALL STONES, STICKS, WIRE, BONES, AND OTHER DEBRIS WHICH MIGHT BE THROWN BY THE ROTATING BLADE.



WARNING: Mow across the face of slopes, never up-and-down. Exercise extreme caution when changing direction on slopes. Do not mow excessively steep slopes. Always maintain good footing.

1. Release bail handle to turn mower "OFF" when crossing any gravel area (stones can be thrown by the blade).
2. Set mower at highest cutting height when mowing in rough ground or in tall weeds. Removing too much grass at one time can cause the motor to be overloaded and to stop. Refer to **Troubleshooting Section**.
3. If a grass collection bag **12** is used during the fast growing season, the grass may tend to clog up at the discharge opening. Release bail handle to turn mower off, remove the safety key and battery packs. Remove the catcher and shake the grass down to the back end of the bag. Also clean out any grass or debris which may be packed around the discharge opening. Replace the grass catcher.
4. If mower should start to vibrate abnormally, release bail handle to turn mower off, remove the safety key and battery packs. Check immediately for cause. Vibration is a warning of trouble. Do not operate mower until a service check

has been made. Refer to **troubleshooting** section in this manual.

5. For best cutting results, keep blade sharpened and balanced.
6. Inspect and thoroughly clean mower after each use as a deck with caked grass will degrade performance.
7. **ALWAYS RELEASE BAIL HANDLE TO TURN MOWER OFF, REMOVE SAFETY KEY AND BATTERY PACKS WHEN LEAVING IT UNATTENDED EVEN FOR A SHORT PERIOD OF TIME.**

The following suggestions will help you to obtain optimum run time from your cordless mower:

- Slow down in areas where the grass is especially long or thick.
- Avoid mowing when the grass is wet from rain or dew soaked.
- Cut your lawn frequently, especially during high growth periods.

NOTE: It is recommended that your mower be recharged after use to prolong the battery life. Frequent charging will not harm your battery, and will ensure that the battery is fully charged and ready for its next use. Storing battery not fully charged will shorten battery life.

MAINTENANCE



DANGER: To reduce the risk of serious personal injury, turn unit off, remove safety key, and remove battery packs before making any adjustments or removing/installing attachments or accessories. An accidental start-up can cause injury.

Removing and Installing Blade (Fig. O – Q)



DANGER: RISK OF INJURY. WHEN REASSEMBLING THE BLADE SYSTEM, ENSURE EACH PART IS REINSTALLED CORRECTLY, AS DESCRIBED BELOW. IMPROPER ASSEMBLY OF THE BLADE OR OTHER PARTS OF THE BLADE SYSTEM MAY CAUSE SERIOUS INJURY.



DANGER: To reduce the risk of serious personal injury, turn unit off, remove safety key, and remove battery packs before making any adjustments or removing/installing attachments or accessories. An accidental start-up can cause injury.

1. Cut a piece of 2x4 wood **24** (about 610 mm long) to keep blade from turning when removing the flange nut **25**.
- WARNING:** Use gloves and proper eye protection. Turn the mower on its side. Be careful of sharp edges of blade.

2. Position wood and unscrew flange nut **25** counterclockwise with a 18 mm wrench **26** as shown in Fig. O.
3. Remove square metal blade spacer **27**, square plastic blade insulator **28** and blade **29** as shown in Fig. P. The blade fan **30** should not be removed. Examine all pieces for damage and replace if necessary.

4. Install sharpened or new blade **29** on shoulder **31** of the blade fan **30** as shown in Fig. P.

NOTE: When replacing sharpened or new blade on shoulder **31** of blade fan **30**, make sure the "GRASS SIDE" on the blade will be facing the ground when the mower is returned to its normal upright position.

5. Install the plastic blade insulator **28** on the blade such that the raised lips on one side engage the edges of the blade.
6. Install the blade spacer **27** so that it sits inside the raised lips on the other side of the blade insulator. Be sure to align the flats in the hole of the blade spacer with the flats of the shaft, rotating the blade and blade insulator together as necessary.
7. Position piece of wood **24** to keep blade from turning as shown in Fig. Q. Install flange nut **25** with the flange against the blade spacer **27** and securely tighten with a wrench.

Blade Sharpening

KEEP BLADE SHARP FOR BEST MOWER PERFORMANCE. A DULL BLADE DOES NOT CUT GRASS CLEANLY.

- DCMW564 requires replacement blade DT20671.

The use of accessories not recommended in this manual may be hazardous.



WARNING: Use gloves and proper eye protection while removing, sharpening, and installing blade. Ensure that safety key and battery packs are removed.

Sharpening the blade twice during a mowing season is usually sufficient under normal circumstances. Sand causes the blade to dull quickly. If your lawn has sandy soil, more frequent sharpening may be required. **REPLACE BENT OR DAMAGED BLADE IMMEDIATELY.**

When Sharpening the Blade

- Make sure blade remains balanced.
- Sharpen blade at the original cutting angle.
- Sharpen cutting edges on both ends of blade, removing equal amounts of material from both ends.

To Sharpen Blade in a Vice (Fig. R)

1. Be sure the bail handle is released, the blade has stopped and safety key and battery packs are removed before removing the blade.
2. Remove blade from mower. See instructions for **Removing and Installing Blade**.
3. Secure blade **29** in a vice **32**.
4. Wear proper eye protection and gloves and be careful not to cut yourself.
5. Carefully file the cutting edges of the blade with a fine-tooth file **33** or sharpening stone, maintaining the angle of the original cutting edge.
6. Check balance of blade. See instructions for **Blade Balancing**.
7. Replace blade on mower and tighten securely.

Blade Balancing (Fig. S)

Check balance of the blade **29** by placing centre hole in the blade over a nail or round screwdriver **34**, clamped horizontally in a vice **32**. If either end of the blade rotates downward, file along the sharp edge of that dropping end. Blade is properly balanced when neither end drops.



Lubrication

No lubrication is necessary. Do not oil the wheels. They have plastic bearing surfaces which require no lubrication.



Cleaning

Release bail handle **5** to turn mower off, let the blade come to a stop and then remove safety key. Clean out any clippings which may have accumulated on the underside of the deck. After several uses, check all exposed fasteners for tightness.



WARNING: Blow dirt and dust out of the main housing with dry air as often as dirt is seen collecting in and around the air vents. Wear approved eye protection and approved dust mask when performing this procedure.



WARNING: Never use solvents or other harsh chemicals for cleaning the non-metallic parts of the tool. These chemicals may weaken the materials used in these parts. Use a cloth dampened only with water and mild soap. Never let any liquid get inside the tool; never immerse any part of the tool into a liquid.

Preventing Corrosion

Fertilizers and other garden chemicals contain agents which greatly accelerate the corrosion of metals. If you mow in areas where fertilizers or chemicals have been used, the mower should be cleaned immediately afterward as follows: Release bail handle **5** to turn mower off and unplug safety key. Wipe all exposed parts with a damp cloth.

Optional Accessories



WARNING: Since accessories, other than those offered by DEWALT, have not been tested with this product, use of such accessories with this tool could be hazardous. To reduce the risk of injury, only DEWALT recommended accessories should be used with this product.

Consult your dealer for further information on the appropriate accessories.

Protecting the Environment



Separate collection. Products and batteries marked with this symbol must not be disposed of with normal household waste.



Products and batteries contain materials that can be recovered or recycled reducing the demand for raw materials. Please recycle electrical products and batteries according to local provisions. Further information is available at www.2helpU.com.

Rechargeable Battery Pack

This long life battery pack must be recharged when it fails to produce sufficient power on jobs which were easily done before. At the end of its technical life, discard it with due care for our environment:

- Run the battery pack down completely, then remove it from the tool.
- Li-Ion cells are recyclable. Take them to your dealer or a local recycling station. The collected battery packs will be recycled or disposed of properly.

TROUBLESHOOTING

If your appliance seems not to operate properly, follow the instructions below. If this does not solve the problem, please contact your local DeWALT repair agent.



WARNING: Before proceeding, release the bail bar to turn mower off and wait for the blade to stop.

Problem	Possible Solution
Mower doesn't run when bail handle is activated	Check to make sure mower battery is properly installed and that the button on switch box is being completely depressed before pulling the bail handle.
	Release bail handle to turn mower off. Remove safety key and battery pack, turn mower over and check that blade is free to turn.
	Check that the battery cavity is free of debris and is connected properly.
	Has battery been fully charged? Press state of charge button.
Motor stops while mowing	Release bail handle to turn mower off. Remove safety key and battery pack Turn mower over and check that blade is free to turn.
	Raise cutting height of wheels to highest position and start mower.
	Check that the battery cavity is free of debris and is connected properly
	Has battery been fully charged? Press state of charge button
	Avoid overloading the mower. Slow down the cutting pace, or raise the cut height.
Mower runs but cutting performance is unsatisfactory	Release bail handle to turn mower off. Uninstall power source. Turn mower over and check: <ul style="list-style-type: none"> • Blade for sharpness - Keep blade sharp. • Deck and discharge chute for clogging.
	Wheel height adjustment may be set too low for grass condition. Raise cutting height.
Mower is too hard to push	Release bail handle to turn mower off. Uninstall power source. Raise cutting height to reduce deck drag on grass. Check each wheel for free rotation.

Problem	Possible Solution
Mower is abnormally noisy and vibrates	Release bail handle to turn mower off. Uninstall power source. Turn mower on side and check blade to ensure it has not been bent or damaged. If blade is damaged, replace with a DeWALT replacement blade. If the underside of the deck is damaged, return mower to a DeWALT Authorised service centre.
	If there is no visible damage to the blade and the mower still vibrates: <ul style="list-style-type: none"> • Release bail handle to turn mower off. • Unplug mower. • Disassemble entire blade assembly as described in the Removing and installing blade section. • Remove any debris and clean each piece. • Replace each piece as described in the Removing and installing blade section.
	If mower still vibrates, return the mower to an authorised DeWALT service center.
Battery charger LEDs not on	Check plug connection.
	Replace charger.
Mower not picking up clippings with bag	Chute clogged. Release bail handle to turn mower off. Uninstall power source. Clear chute of grass clippings.
	Raise cutting height of wheels to shorten length of the cut.
	Bag full. Empty bag more often.



Belgique et Luxembourg België en Luxemburg	DeWALT - Belgium BVBA Egide Walschaertsstraat 16 2800 Mechelen	Tel: NL 32 15 47 37 63 Tel: FR 32 15 47 37 64 Fax: 32 15 47 37 99	www.dewalt.be enduser.BE@SBDinc.com
Danmark	DeWALT (Stanley Black&Decker AS) Roskildevej 22 2620 Albertslund	Tel: 70 20 15 10 Fax: 70 22 49 10	www.dewalt.dk kundeservice.dk@sbdinc.com
Deutschland	DeWALT Richard Klingler Str. 11 65510 Idstein	Tel: 06126-21-0 Fax: 06126-21-2770	www.dewalt.de infofwge@sbdinc.com
Ελλάς	DeWALT (Ελλάς) A.E. ΕΔΠΑ-ΓΡΑΦΕΙΑ : Στραβόμονος 7 & Α. Βουλιαγμένης, Πλωράδα 166 74, Αθήνα SERVICE : Ημέρος, Τόπος (2 Χάν Αβάρ) – 193 00 Ασπρόπυργος	Τηλ: 00302108981616 Φαξ: 00302108983570	www.dewalt.gr Greece.Service@sbdinc.com
España	DeWALT Ibérica, S.C.A. Parc de Negocios "Mas Blau" Edificio Muntadas, c/Bergadà, 1, Of. A6 08820 El Prat de Llobregat (Barcelona)	Tel: 934 797 400 Fax: 934 797 419	www.dewalt.es respuesta.postventa@sbdinc.com
France	DeWALT 5, allée des Hêtres BP 60105, 69579 Limonest Cedex	Tel: 04 72 20 39 20 Fax: 04 72 20 39 00	www.dewalt.fr scufi@sbdinc.com
Schweiz Suisse Svizzera	DeWALT In der Luberzen 42 8902 Urdorf	Tel: 044 - 755 60 70 Fax: 044 - 730 70 67	www.dewalt.ch service@rofaag.ch
Ireland	DeWALT Building 4500, Kinsale Road Cork Airport Business Park Cork, Ireland	Tel: 00353-2781800 Fax: 01278 1811	www.dewalt.ie Sales.ireland@sbdinc.com
Italia	DeWALT via Energypark 6 20871 Vimercate (MB), IT	Tel: 800-014353 39 039-9590200 Fax: 39 039-9590311	www.dewalt.it
Nederlands	DeWALT Netherlands BVPostbus 83, 6120 AB BORN	Tel: 31 164 283 063 Fax: 31 164 283 200	www.dewalt.nl
Norge	DeWALT Postboks 4613 0405 Oslo, Norge	Tel: 45 25 13 00 Fax: 45 25 08 00	www.dewalt.no kundeservice.no@sbdinc.com
Österreich	DeWALT Werkzeug Vertriebsges m.b.H Oberlaaerstrasse 248, A-1230 Wien	Tel: 01 - 66116 - 0 Fax: 01 - 66116 - 614	www.dewalt.at service.austria@sbdinc.com
Portugal	DeWALT Ed. D Dinis, Quina da Fonte Rua dos Malhoes 2 2A 2º Esq. Oeiras e S. Juliao da Barra, paço de Arcos e Caxias 2770 071 Paço de Arcos	Tel: +351 214667500 Fax: +351214667580	www.dewalt.pt resposta.postventa@sbdinc.com
Suomi	DeWALT PL47 00521 Helsinki, Suomi	Puh: 010 400 4333 Faksi: 0800 411 340	www.dewalt.fi asiakaspalvelu.fi@sbdinc.com
Sverige	DeWALT BOX 94 43122 Mölndal Sverige	Tel: 031 68 61 60 Fax: 031 68 60 08	www.dewalt.se kundservice.se@sbdinc.com
Türkiye	Sanayi ve Ticaret Bakanlığı tebliğince kullanılmı 7 yıldır. Stanley Black & Decker Turkey Alet Üretim San. Tic. Ltd.Şti. Kozyatağı Mh Değirmen Sk. Nida Kule No: 18 Kat: 6, 34742 Kadıköy, İstanbul, Türkiye	Tel: +90 216 665 2900 Faks: +90 216 665 2901	www.dewalt.com.tr info-tr@sbdinc.com
United Kingdom	DeWALT 210 Bath Road; Slough, Berks SL1 3YD	Tel: 01753-567055 Fax: 01753-572112	www.dewalt.co.uk emeaservice@sbdinc.com
Australia	DeWALT 810 Whitehorse Road Box Hill VIC 3103 Australia	Tel: Aust 1800 338 002 Tel: NZ 0800 339 258	www.dewalt.com.au www.dewalt.co.nz
Middle East Africa	DeWALT P.O. Box - 17164, Jebel Ali Free Zone (South), Dubai, UAE	Tel: 971 4 812 7400 Fax: 971 4 2822765	www.dewalt.ae Service.MEA@sbdinc.com