

**DEWALT**®

**[www.DEWALT.com](http://www.DEWALT.com)**

**DWE7485**



Fig. A

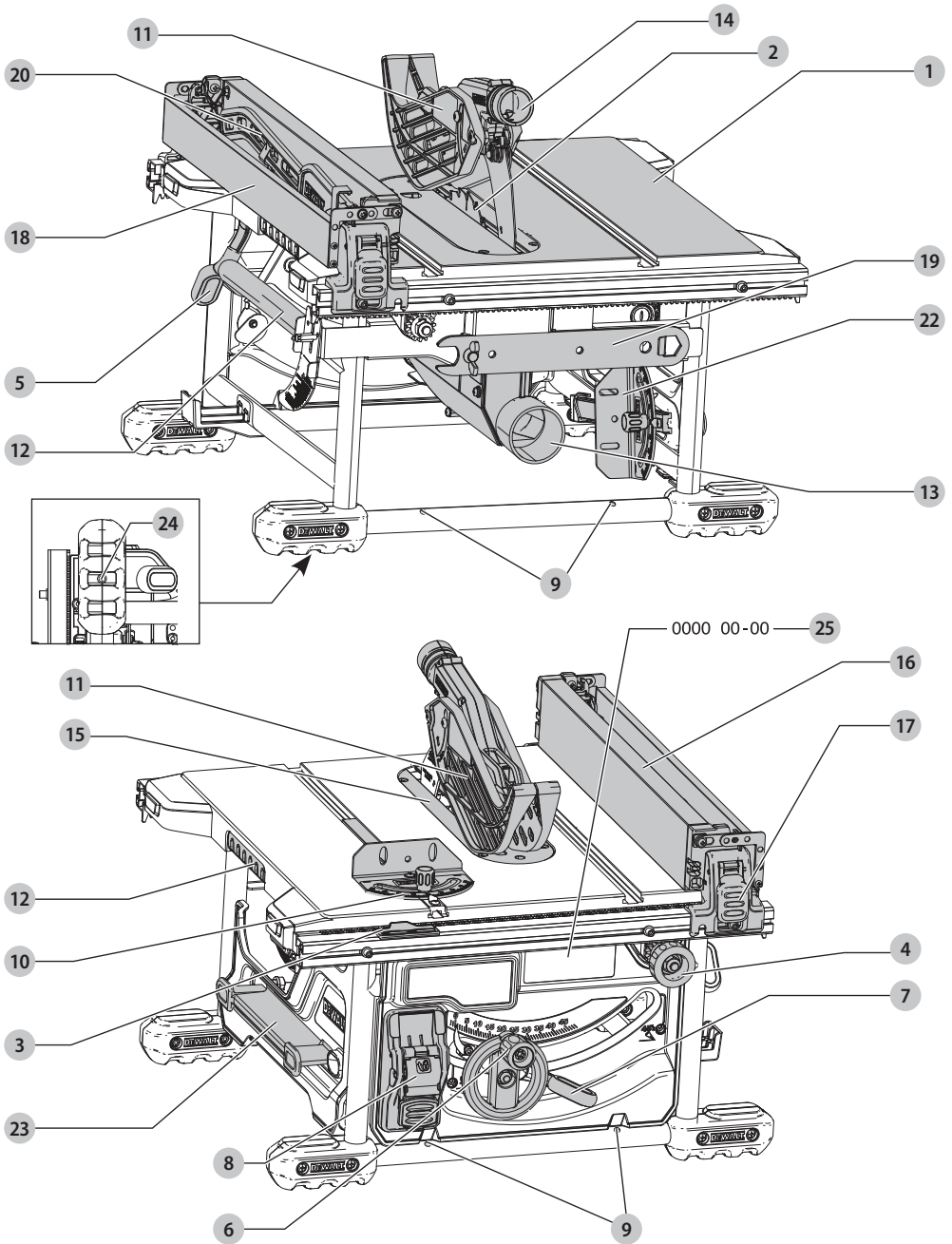


Fig. B

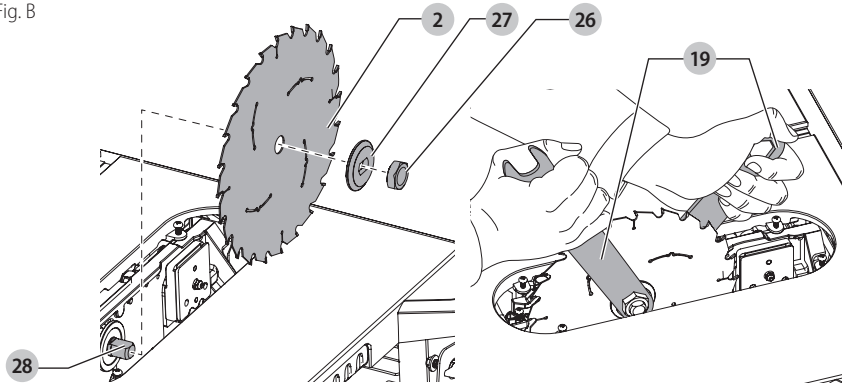


Fig. C

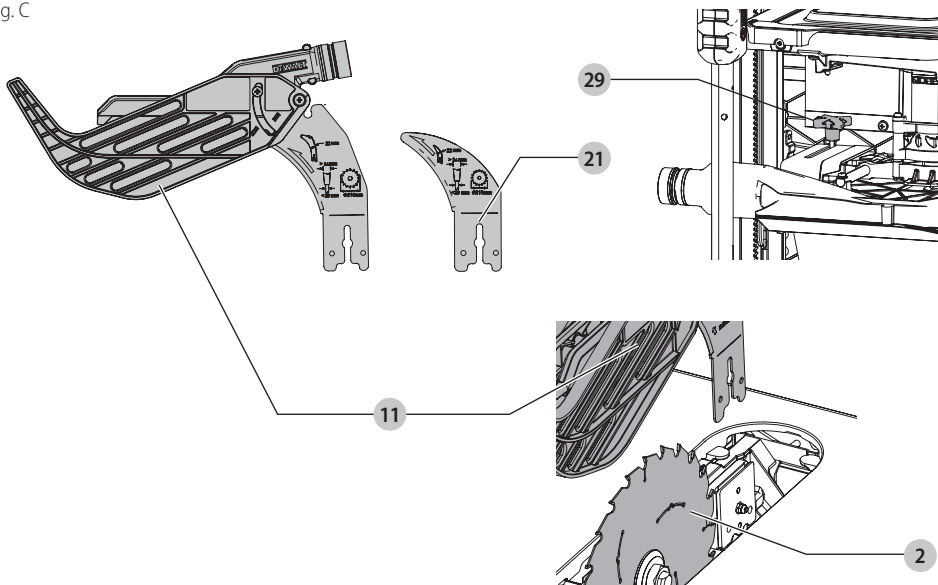


Fig. D

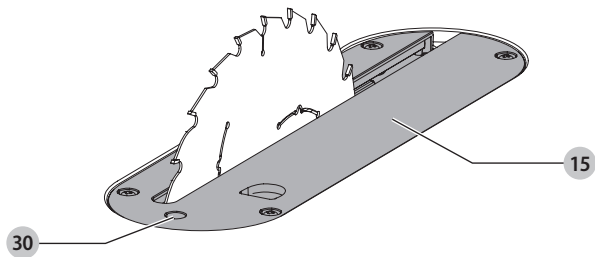


Fig. E

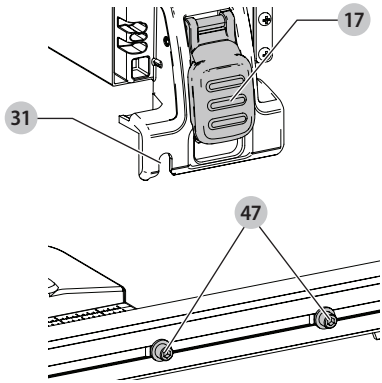


Fig. F

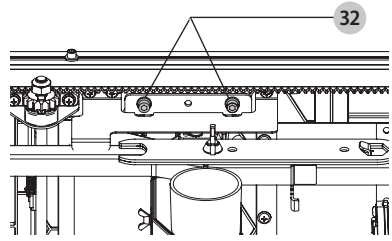


Fig. G

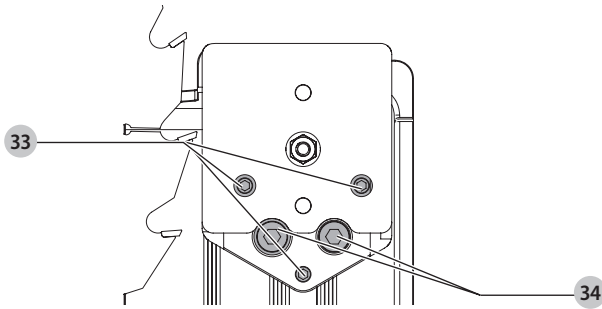


Fig. H

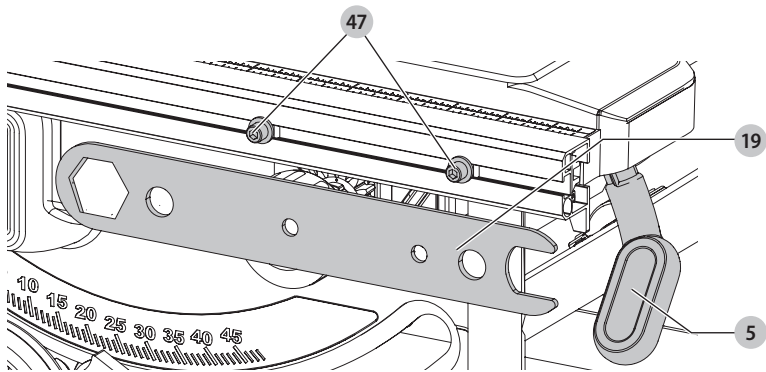


Fig. I

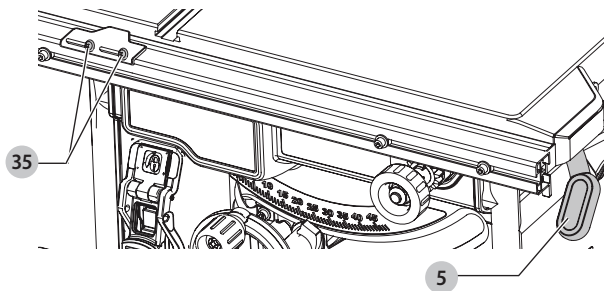


Fig. J

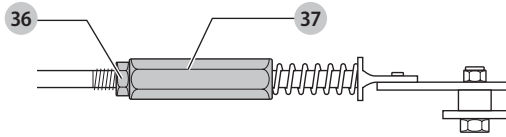


Fig. K

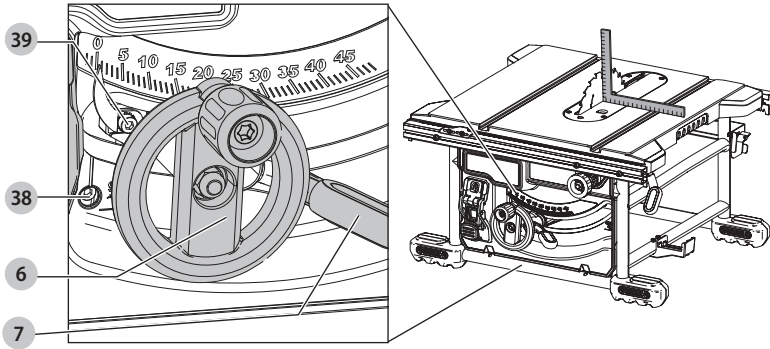


Fig. L

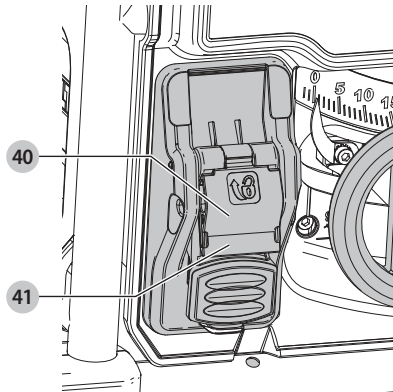


Fig. M

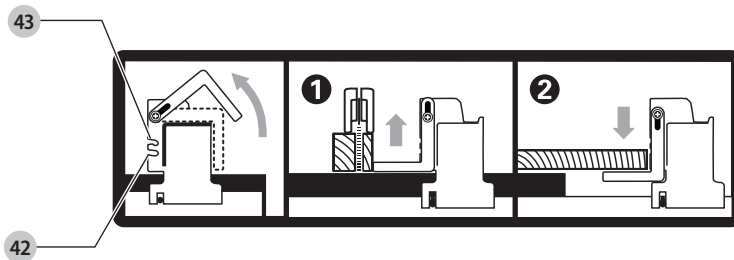


Fig. N

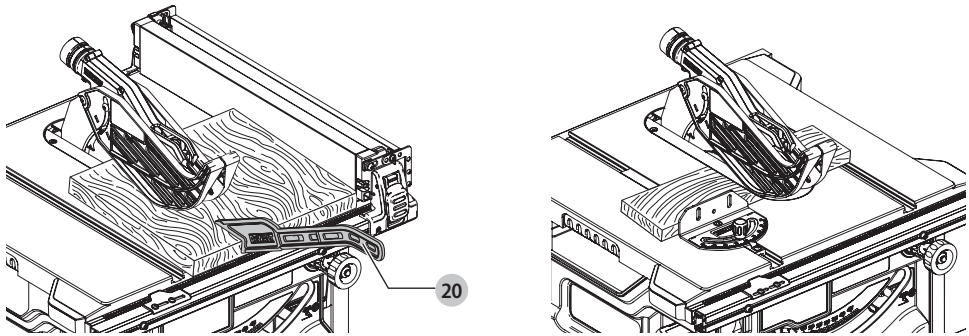


Fig. O

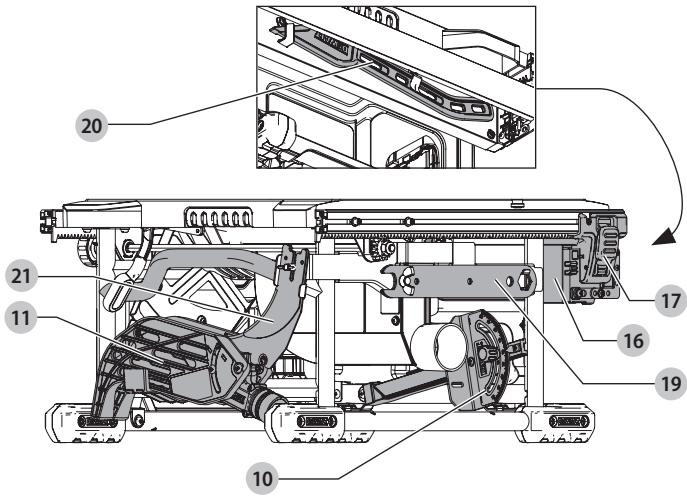


Fig. P

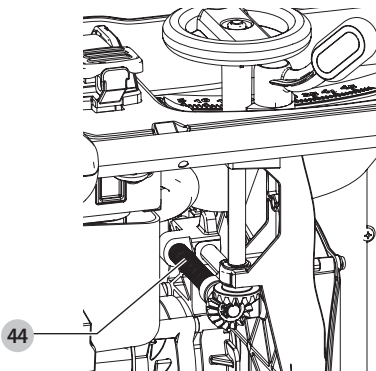
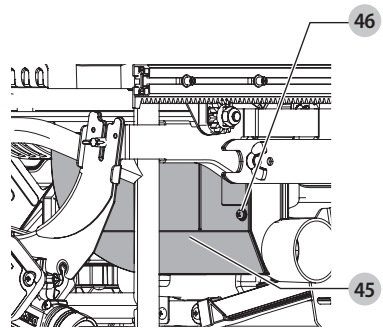


Fig. Q



# TABLE SAW

## DWE7485

### Congratulations!

You have chosen a DEWALT tool. Years of experience, thorough product development and innovation make DEWALT one of the most reliable partners for professional power tool users.

### Technical Data

|  |                   | DWE7485<br>(QS, GB) | DWE7485<br>(XE)    | DWE7485<br>(LX)    |
|--|-------------------|---------------------|--------------------|--------------------|
| Voltage  | V <sub>bc</sub>   | 230                 | 220–240            | 115                |
| Type   |                   | 3                   | 3                  | 3                  |
| Rated input power  | W                 | 1850                | 1850               | 1700               |
| No load speed  | min <sup>-1</sup> | 5800                | 5800               | 5800               |
| Blade diameter   | mm                | 210                 | 210                | 210                |
| Blade bore   | mm                | 30                  | 30                 | 30                 |
| Blade kerf   | mm                | 2.4                 | 2.4                | 2.4                |
| Blade body thickness   | mm                | 1.6                 | 1.6                | 1.6                |
| Riving knife thickness   | mm                | 2.2                 | 2.2                | 2.2                |
| Depth of cut at 90°  | mm                | 65                  | 65                 | 65                 |
| Depth of bevel cut at 45°  | mm                | 45                  | 45                 | 45                 |
| Ripping capacity<br>(Right of blade)   | mm                | 622.3               | 622.3              | 622.3              |
| Ripping capacity<br>(Left of blade)  | mm                | 318                 | 318                | 318                |
| Work surface dimensions  | mm                | 485 x 485           | 485 x 485          | 485 x 485          |
| Overall dimensions   | mm                | 605 x 605<br>x 330  | 605 x 605<br>x 330 | 605 x 605<br>x 330 |
| Weight   | kg                | 22                  | 22                 | 22                 |
| Noise values and/or vibration values (triax vector sum) according to EN62841-1-2015: |                   |                     |                    |                    |
| L <sub>PA</sub> (emission sound pressure level)                                      | dB(A)             | 90                  | 90                 | 91                 |
| L <sub>WA</sub> (sound power level)  | dB(A)             | 107                 | 107                | 108                |
| K (uncertainty for the given sound level)  | dB(A)             | 3                   | 3                  | 3                  |

The vibration and/or noise emission level given in this information sheet has been measured in accordance with a standardised test given in EN62841 and may be used to compare one tool with another. It may be used for a preliminary assessment of exposure.

**WARNING:** The declared vibration and/or noise emission level represents the main applications of the tool. However if the tool is used for different applications, with different accessories or poorly maintained, the vibration and/or noise emission may differ. This may significantly increase the exposure level over the total working period.

An estimation of the level of exposure to vibration and/or noise should also take into account the times when the tool is switched off or when it is running but not actually

doing the job. This may significantly reduce the exposure level over the total working period.

Identify additional safety measures to protect the operator from the effects of vibration and/or noise such as: maintain the tool and the accessories, keep the hands warm (relevant for vibration), organisation of work patterns.

### EC-Declaration of Conformity

#### Machinery Directive



#### Table Saw DWE7485

DEWALT declares that these products described under **Technical Data** are in compliance with: 2006/42/EC, EN62841-1:2015+AC:2015, EN62841-3-1:2014+AC:2015 + A11:2017.

These products also comply with Directive 2014/30/EU and 2011/65/EU. For more information, please contact DEWALT at the following address or refer to the back of the manual.

The undersigned is responsible for compilation of the technical file and makes this declaration on behalf of DEWALT.

Markus Rompel  
Vice-President Engineering, PTE-Europe  
DEWALT, Richard-Klinger-Straße 11,  
D-65510, Idstein, Germany  
25.01.2020



**WARNING:** To reduce the risk of injury, read the instruction manual.

### Definitions: Safety Guidelines

The definitions below describe the level of severity for each signal word. Please read the manual and pay attention to these symbols.



**DANGER:** Indicates an imminently hazardous situation which, if not avoided, **will** result in **death or serious injury**.



**WARNING:** Indicates a potentially hazardous situation which, if not avoided, **could** result in **death or serious injury**.



**CAUTION:** Indicates a potentially hazardous situation which, if not avoided, **may** result in **minor or moderate injury**.



**NOTICE:** Indicates a practice **not related to personal injury** which, if not avoided, **may** result in **property damage**.



Denotes risk of electric shock.



Denotes risk of fire.

## GENERAL POWER TOOL SAFETY WARNINGS



**WARNING:** Read all safety warnings, instructions, illustrations and specifications provided with this power tool. Failure to follow all instructions listed below may result in electric shock, fire and/or serious injury.

### SAVE ALL WARNINGS AND INSTRUCTIONS FOR FUTURE REFERENCE.

The term "power tool" in the warnings refers to your mains-operated (corded) power tool or battery-operated (cordless) power tool.

#### 1) Work Area Safety

- Keep work area clean and well lit.** Cluttered or dark areas invite accidents.
- Do not operate power tools in explosive atmospheres, such as in the presence of flammable liquids, gases or dust.** Power tools create sparks which may ignite the dust or fumes.
- Keep children and bystanders away while operating a power tool.** Distractions can cause you to lose control.

#### 2) Electrical Safety

- Power tool plugs must match the outlet. Never modify the plug in any way. Do not use any adapter plugs with earthed (grounded) power tools.** Unmodified plugs and matching outlets will reduce risk of electric shock.
- Avoid body contact with earthed or grounded surfaces, such as pipes, radiators, ranges and refrigerators.** There is an increased risk of electric shock if your body is earthed or grounded.
- Do not expose power tools to rain or wet conditions.** Water entering a power tool will increase the risk of electric shock.
- Do not abuse the cord. Never use the cord for carrying, pulling or unplugging the power tool. Keep cord away from heat, oil, sharp edges or moving parts.** Damaged or entangled cords increase the risk of electric shock.
- When operating a power tool outdoors, use an extension cord suitable for outdoor use.** Use of a cord suitable for outdoor use reduces the risk of electric shock.
- If operating a power tool in a damp location is unavoidable, use a residual current device (RCD) protected supply.** Use of an RCD reduces the risk of electric shock.

#### 3) Personal Safety

- Stay alert, watch what you are doing and use common sense when operating a power tool. Do not use a power tool while you are tired or under the**

**influence of drugs, alcohol or medication.** A moment of inattention while operating power tools may result in serious personal injury.

- Use personal protective equipment. Always wear eye protection.** Protective equipment such as a dust mask, non-skid safety shoes, hard hat or hearing protection used for appropriate conditions will reduce personal injuries.
- Prevent unintentional starting. Ensure the switch is in the off-position before connecting to power source and/or battery pack, picking up or carrying the tool.** Carrying power tools with your finger on the switch or energising power tools that have the switch on invites accidents.
- Remove any adjusting key or wrench before turning the power tool on.** A wrench or a key left attached to a rotating part of the power tool may result in personal injury.
- Do not overreach. Keep proper footing and balance at all times.** This enables better control of the power tool in unexpected situations.
- Dress properly. Do not wear loose clothing or jewellery. Keep your hair and clothing away from moving parts.** Loose clothes, jewellery or long hair can be caught in moving parts.
- If devices are provided for the connection of dust extraction and collection facilities, ensure these are connected and properly used.** Use of dust collection can reduce dust-related hazards.
- Do not let familiarity gained from frequent use of tools allow you to become complacent and ignore tool safety principles.** A careless action can cause severe injury within a fraction of a second.

#### 4) Power Tool Use and Care

- Do not force the power tool. Use the correct power tool for your application.** The correct power tool will do the job better and safer at the rate for which it was designed.
- Do not use the power tool if the switch does not turn it on and off.** Any power tool that cannot be controlled with the switch is dangerous and must be repaired.
- Disconnect the plug from the power source and/or remove the battery pack, if detachable, from the power tool before making any adjustments, changing accessories, or storing power tools.** Such preventive safety measures reduce the risk of starting the power tool accidentally.
- Store idle power tools out of the reach of children and do not allow persons unfamiliar with the power tool or these instructions to operate the power tool.** Power tools are dangerous in the hands of untrained users.
- Maintain power tools and accessories. Check for misalignment or binding of moving parts, breakage of parts and any other condition that may affect the power tool's operation. If damaged, have the power tool repaired before use.** Many accidents are caused by poorly maintained power tools.

- f) **Keep cutting tools sharp and clean.** Properly maintained cutting tools with sharp cutting edges are less likely to bind and are easier to control.
- g) **Use the power tool, accessories and tool bits etc. in accordance with these instructions, taking into account the working conditions and the work to be performed.** Use of the power tool for operations different from those intended could result in a hazardous situation.
- h) **Keep handles and grasping surfaces dry, clean and free from oil and grease.** Slippery handles and grasping surfaces do not allow for safe handling and control of the tool in unexpected situations.

## 5) Service


- a) **Have your power tool serviced by a qualified repair person using only identical replacement parts.** This will ensure that the safety of the power tool is maintained.

## Safety Instructions for Table Saws

### 1) Guarding Related Warnings

- a) **Keep guards in place. Guards must be in working order and be properly mounted.** A guard that is loose, damaged, or is not functioning correctly must be repaired or replaced.
- b) **Always use saw blade guard, riving knife for every through-cutting operation.** For through-cutting operations where the saw blade cuts completely through the thickness of the workpiece, the guard and other safety devices help reduce the risk of injury.
- c) **Immediately reattach the guarding system after completing an operation (such as rabbeting or resawing cuts) which requires removal of the guard or riving knife.** The guard and riving knife help to reduce the risk of injury.
- d) **Make sure the saw blade is not contacting the guard, riving knife or the workpiece before the switch is turned on.** Inadvertent contact of these items with the saw blade could cause a hazardous condition.
- e) **Adjust the riving knife as described in this instruction manual.** Incorrect spacing, positioning and alignment can make the riving knife ineffective in reducing the likelihood of kickback.
- f) **For the riving knife to work, they must be engaged in the workpiece.** The riving knife is ineffective when cutting workpieces that are too short to be engaged with the riving knife. Under these conditions a kickback cannot be prevented by the riving knife.
- g) **Use the appropriate saw blade for the riving knife.** For the riving knife to function properly, the saw blade diameter must match the appropriate riving knife and the body of the saw blade must be thinner than the thickness of the riving knife and the cutting width of the saw blade must be wider than the thickness of the riving knife.

### 2) Cutting Procedures Warnings

- a)  **DANGER: Never place your fingers or hands in the vicinity or in line with the saw blade.**

A moment of inattention or a slip could direct your hand towards the saw blade and result in serious personal injury.

- b) **Feed the workpiece into the saw blade only against the direction of rotation.** Feeding the workpiece in the same direction that the saw blade is rotating above the table may result in the workpiece, and your hand, being pulled into the saw blade.
- c) **Never use the mitre gauge to feed the workpiece when ripping and do not use the rip fence as a length stop when cross cutting with the mitre gauge.** Guiding the workpiece with the rip fence and the mitre gauge at the same time increases the likelihood of saw blade binding and kickback.
- d) **When ripping, always apply the workpiece feeding force between the fence and the saw blade. Use a push stick when the distance between the fence and the saw blade is less than 150 mm, and use a push block when this distance is less than 50 mm.** "Work helping" devices will keep your hand at a safe distance from the saw blade.
- e) **Use only the push stick provided by the manufacturer or constructed in accordance with the instructions.** This push stick provides sufficient distance of the hand from the saw blade.
- f) **Never use a damaged or cut push stick.** A damaged push stick may break causing your hand to slip into the saw blade.
- g) **Do not perform any operation "freehand". Always use either the rip fence or the mitre gauge to position and guide the workpiece.** "Freehand" means using your hands to support or guide the workpiece, in lieu of a rip fence or mitre gauge. Freehand sawing leads to misalignment, binding and kickback.
- h) **Never reach around or over a rotating saw blade.** Reaching for a workpiece may lead to accidental contact with the moving saw blade.
- i) **Provide auxiliary workpiece support to the rear and/or sides of the saw table for long and/or wide workpieces to keep them level.** A long and/or wide workpiece has a tendency to pivot on the table's edge, causing loss of control, saw blade binding and kickback.
- j) **Feed workpiece at an even pace. Do not bend or twist the workpiece. If jamming occurs, turn the tool off immediately, unplug the tool then clear the jam.** Jamming the saw blade by the workpiece can cause kickback or stall the motor.
- k) **Do not remove pieces of cut-off material while the saw is running.** The material may become trapped between the fence or inside the saw blade guard and the saw blade pulling your fingers into the saw blade. Turn the saw off and wait until the saw blade stops before removing material.
- l) **Use an auxiliary fence in contact with the table top when ripping workpieces less than 2 mm thick. A**

thin workpiece may wedge under the rip fence and create a kickback.

### 3) Kickback Causes and Related Warnings

Kickback is a sudden reaction of the workpiece due to a pinched, jammed saw blade or misaligned line of cut in the workpiece with respect to the saw blade or when a part of the workpiece binds between the saw blade and the rip fence or other fixed object.

Most frequently during kickback, the workpiece is lifted from the table by the rear portion of the saw blade and is propelled towards the operator. Kickback is the result of saw misuse and/or incorrect operating procedures or conditions and can be avoided by taking proper precautions as given below.

- a) **Never stand directly in line with the saw blade.** Always position your body on the same side of the saw blade as the fence. Kickback may propel the workpiece at high velocity towards anyone standing in front and in line with the saw blade.
- b) **Never reach over or in back of the saw blade to pull or to support the workpiece.** Accidental contact with the saw blade may occur or kickback may drag your fingers into the saw blade.
- c) **Never hold and press the workpiece that is being cut off against the rotating saw blade.** Pressing the workpiece being cut off against the saw blade will create a binding condition and kickback.
- d) **Align the fence to be parallel with the saw blade.** A misaligned fence will pinch the workpiece against the saw blade and create kickback.
- e) **Use a featherboard to guide the workpiece against the table and fence when making non-through cuts such as rabbeting or resawing cuts.** A featherboard helps to control the workpiece in the event of a kickback.
- f) **Use extra caution when making a cut into blind areas of assembled workpieces.** The protruding saw blade may cut objects that can cause kickback.
- g) **Support large panels to minimise the risk of saw blade pinching and kickback.** Large panels tend to sag under their own weight. Support(s) must be placed under all portions of the panel overhanging the table top.
- h) **Use extra caution when cutting a workpiece that is twisted, knotted, warped or does not have a straight edge to guide it with a mitre gauge or along the fence.** A warped, knotted, or twisted workpiece is unstable and causes misalignment of the kerf with the saw blade, binding and kickback.
- i) **Never cut more than one workpiece, stacked vertically or horizontally.** The saw blade could pick up one or more pieces and cause kickback.
- j) **When restarting the saw with the saw blade in the workpiece, centre the saw blade in the kerf so that the saw teeth are not engaged in the material.** If the saw blade binds, it may lift up the workpiece and cause kickback when the saw is restarted.
- k) **Keep saw blades clean, sharp, and with sufficient set. Never use warped saw blades or saw blades with**

**cracked or broken teeth.** Sharp and properly set saw blades minimise binding, stalling and kickback.

### 4) Table Saw Operating Procedure Warnings

- a) **Turn off the table saw and disconnect the power cord when removing the table insert, changing the saw blade or making adjustments to the riving knife, or saw blade guard, and when the machine is left unattended.** Precautionary measures will avoid accidents.
- b) **Never leave the table saw running unattended. Turn it off and don't leave the tool until it comes to a complete stop.** An unattended running saw is an uncontrolled hazard.
- c) **Locate the table saw in a well-lit and level area where you can maintain good footing and balance. It should be installed in an area that provides enough room to easily handle the size of your workpiece.** Cramped, dark areas, and uneven slippery floors invite accidents.
- d) **Frequently clean and remove sawdust from under the saw table and/or the dust collection device.** Accumulated sawdust is combustible and may self-ignite.
- e) **The table saw must be secured.** A table saw that is not properly secured may move or tip over.
- f) **Remove tools, wood scraps, etc. from the table before the table saw is turned on.** Distraction or a potential jam can be dangerous.
- g) **Always use saw blades with correct size and shape (diamond versus round) of arbour holes.** Saw blades that do not match the mounting hardware of the saw will run off-centre, causing loss of control.
- h) **Never use damaged or incorrect saw blade mounting means such as flanges, saw blade washers, bolts or nuts.** These mounting means were specially designed for your saw, for safe operation and optimum performance.
- i) **Never stand on the table saw, do not use it as a stepping stool.** Serious injury could occur if the tool is tipped or if the cutting tool is accidentally contacted.
- j) **Make sure that the saw blade is installed to rotate in the proper direction. Do not use grinding wheels, wire brushes, or abrasive wheels on a table saw.** Improper saw blade installation or use of accessories not recommended may cause serious injury.

### Additional Safety Rules for Saw Benches



**WARNING:** Cutting plastics, sap coated wood, and other materials may cause melted material to accumulate on the blade tips and the body of the saw blade, increasing the risk of blade overheating and binding while cutting.

- Make sure that the blade rotates in the correct direction and that the teeth are pointing to the front of the saw bench.
- Be sure all clamp handles are tight before starting any operation.

- Be sure all blade and flanges are clean and the larger face of the clamp washer is against the blade. Tighten the arbor nut securely.
- Make sure that the riving knife is adjusted to the correct distance from the blade - maximum 8 mm.
- Never operate the saw without the upper and lower guards in place.
- Do not apply lubricants to the blade when it is running.
- Always keep the push stick in its store place when not in use.
- Do not use the guard for handling or transportation.
- Do not exert side pressure on the saw blade.
- Never cut light alloy. The machine is not designed for this application.
- Do not use abrasive disc or diamond cutting wheels.
- Rabbeting, slotting or grooving is not allowed.
- In case of machine failure, immediately switch the machine off and remove from the power source. Report the failure and mark the machine in suitable form which prevents that other persons use the defective machine.
- When the saw blade is blocked due to abnormal feed force during cutting, ALWAYS switch the machine off and remove from the power source. Remove the workpiece and ensure that the saw blade runs free. Turn the machine on and start a new cutting operation with reduced feed force.
- NEVER attempt to cut a stack of loose pieces of material which could cause loss of control or kickback. Support all materials securely.
- Take care that the blade guard is properly positioned. When sawing, it must always face against the workpiece.

### Saw Blades

- Do not use saw blades that do not conform to the dimensions stated in the **Technical Data**. Do not use any spacers to make a blade fit onto the spindle. Use only the blades specified in this manual, complying with EN847-1, if intended for wood and similar materials.
- The maximum speed of the saw blade shall always be greater than or at least equal to the speed marked on the rating plate of the tool.
- The saw blade diameter must be in accordance with the markings on rating plate of the tool.
- Consider applying specially designed noise-reduction blades.
- Do not use high steel (HS) saw blades.
- Do not use cracked or damaged saw blades.
- Ensure that the chosen saw blade is suitable for the material to be cut.
- Always wear gloves for handling saw blades and rough material. Saw blades should be carried in a holder wherever practicable.

### Residual risks

The following risks are inherent to the use of saws:

- injuries caused by touching the rotating parts

In spite of the application of the relevant safety regulations and the implementation of safety devices, certain residual risks cannot be avoided. These are:

- Impairment of hearing.
- Risk of accidents caused by the uncovered parts of the rotating saw blade.
- Risk of injury when changing the saw blade with unprotected hands.
- Risk of squeezing fingers when opening the guards.
- Health hazards caused by breathing dust developed when sawing wood, especially oak, beech and MDF.

The following factors are of influence to noise production:

- the material to be cut
- the type of saw blade
- the feed force
- machine maintenance

The following factors are of influence to dust exposure:

- worn saw blade
- dust extractor with air velocity less than 20 m/s
- workpiece not exactly guided

### Electrical Safety

The electric motor has been designed for one voltage only. Always check that the power supply corresponds to the voltage on the rating plate.



Your DEWALT tool is double insulated in accordance with EN62841; therefore no earth wire is required.

If the supply cord is damaged, it must be replaced only by DEWALT or an authorised service organisation.



**WARNING:** We recommend the use of a residual current device with a residual current rating of 30mA or less.

**NOTE:** This device is intended for the connection to a power supply system with maximum permissible system impedance  $Z_{max}$  of 0.25  $\Omega$  at the interface point (power service box) of user's supply. The user has to ensure that this device is connected only to a power system which fulfills the requirement above. If necessary, the user can ask the public power supply company for the system impedance at the interface point.

### Mains Plug Replacement (U.K. & Ireland Only)

If a new mains plug needs to be fitted:

- Safely dispose of the old plug.
- Connect the brown lead to the live terminal in the plug.
- Connect the blue lead to the neutral terminal.



**WARNING:** No connection is to be made to the earth terminal.

Follow the fitting instructions supplied with good quality plugs. Recommended fuse: 13 A.

### Using an Extension Cable

If an extension cable is required, use an approved 3-core extension cable suitable for the power input of this tool (see **Technical Data**). The minimum conductor size is 1.5 mm<sup>2</sup>; the maximum length is 30 m.

When using a cable reel, always unwind the cable completely.

## Package Contents

The package contains:

- 1 Partly assembled machine
- 1 Rip fence assembly
- 1 Mitre fence
- 1 Saw blade
- 1 Upper blade guard assembly
- 1 Throat plate
- 2 Blade wrenches
- 1 Dust extraction adapter
- 1 Instruction manual
- Check for damage to the tool, parts or accessories which may have occurred during transport.
- Take the time to thoroughly read and understand this manual prior to operation.

## Markings on Tool

The following pictograms are shown on the tool:



Read instruction manual before use.



Wear ear protection.



Wear eye protection.



Wear face mask.



Keep hands away from cutting area and the blade.



Carrying point.

## Date Code Position (Fig. A)

The date code **25**, which also includes the year of manufacture, is printed into the housing.

Example:

2019 XX XX  
Year of Manufacture

## Description (Fig. A, C)



**WARNING:** Never modify the power tool or any part of it. Damage or personal injury could result.

- |                                 |                               |
|---------------------------------|-------------------------------|
| 1 Table                         | 8 ON/OFF assembly             |
| 2 Blade                         | 9 Mounting holes              |
| 3 Rip scale indicator           | 10 Mitre gauge                |
| 4 Fine adjust knob              | 11 Blade guard assembly       |
| 5 Rail lock lever               | 12 Carry handle               |
| 6 Blade height adjustment wheel | 13 Dust collection port       |
| 7 Bevel lock lever              | 14 Guard dust collection port |
|                                 | 15 Throat plate               |

- |   |   |
|---|---|
| 16 Rip fence                              | 21 Riving knife (non-through sawing) (Fig. C) |
| 17 Rip fence latch                        | 22 Mitre gauge storage                        |
| 18 Narrow ripping fence/support extension | 23 Cable holder                               |
| 19 Blade wrenches (stored position)       | 24 DE7400 brackets mounting holes             |
| 20 Push stick (stored position)           |   |

## Intended Use

Your table saw has been designed for professional ripping, cross-cutting, mitreing and bevelling with various materials as wood analogous materials and plastic.

**DO NOT** use under wet conditions or in the presence of flammable liquids or gases.

This table saw is a professional power tool.

**DO NOT** let children come into contact with the tool.

Supervision is required when inexperienced operators use this tool.

- **Young children and the infirm.** This appliance is not intended for use by young children or infirm persons without supervision.
- This product is not intended for use by persons (including children) suffering from diminished physical, sensory or mental abilities; lack of experience, knowledge or skills unless they are supervised by a person responsible for their safety. Children should never be left alone with this product.

## ASSEMBLY AND ADJUSTMENTS



**WARNING:** To reduce the risk of serious personal injury, turn tool off and disconnect tool from power source before making any adjustments or removing/installing attachments or accessories. An accidental start-up can cause injury.

## Unpacking

- Remove the saw from the packaging material carefully.
- The machine is fully assembled except for the rip fence, mitre gauge, dust adapter and blade guard assembly.
- Finalise the assembly following the instructions as described below.

## Mounting the Saw Blade (Fig. A, B)



**WARNING:** To reduce the risk of serious personal injury, turn tool off and disconnect tool from power source before making any adjustments or removing/installing attachments or accessories. An accidental start-up can cause injury.



**WARNING:** To reduce the risk of injury, wear gloves when handling the saw blade.



**WARNING:** The teeth of a new blade are very sharp and can be dangerous.




**WARNING:** The saw blade **MUST** be replaced as described in this section. **ONLY** use saw blades as specified under **Technical Data**. We suggest DT99565. NEVER fit other saw blades.


**NOTE:** This tool has blade installed from factory.



1. Raise the saw blade arbour to its maximum height by turning the blade height adjustment wheel ( 6 ) clockwise.
2. Remove the throat plate ( 15 ). Refer to **Mounting the Throat Plate**.
3. Using wrenches ( 19 ), loosen and remove the arbour nut ( 26 ) and clamp washer ( 27 ) from the saw arbour by turning anti-clockwise.
4. Place the saw blade on to the arbour ( 28 ) making sure the teeth of the blade ( 2 ) point down at the front of the table. Assemble the washers and arbour nut to the spindle and tighten arbour nut ( 26 ) as far as possible by hand, making sure that the saw blade is against the inner washer and the outer clamp washer ( 27 ) is against the blade. Ensure the largest diameter of the flange is against the blade. Ensure the spindle and washers are free from dust and debris.
5. To keep the spindle from rotating when tightening the arbour nut, use the open end of the blade wrench ( 19 ) to secure the spindle.
6. Using the closed end of the blade wrench, tighten the arbour nut ( 26 ) firmly by turning it clockwise.
7. Replace the throat plate.


 **WARNING:** Always check the rip fence pointer and the blade guard assembly after having changed the blade.


## Mounting/Removing the Blade Guard Assembly/Riving Knife (Fig. A, C)

 **WARNING:** Use the guard assembly for all through cutting.

1. Raise the saw blade arbour to its maximum height.
2. Loosen the riving knife lock knob ( 29 ) (minimum of three turns).
3. To disengage riving knife lock pin, pull lock knob as indicated by the black arrows on the knob.
4. While pulling the lock knob, lift the riving knife out of the clamp. Then slide the blade guard assembly ( 11 ) into the clamp until it bottoms out.  
**NOTE:** Do not install both blade guard assembly and riving knife into the clamp at the same time.
5. Release the lock knob to engage the lock pin. Give the blade guard a slight pull upwards to ensure pin is engaged.
6. Tighten the riving knife lock knob.

**NOTE:** Follow the same procedure for the riving knife.

 **WARNING:** Before connecting the table saw to the power source or operating the saw, always inspect the blade guard assembly for proper alignment and clearance with saw blade. Check alignment after each change of bevel angle.

 **WARNING:** To reduce the risk of serious personal injury, DO NOT operate saw if blade assembly is not securely clamped in place.


When properly aligned, the riving knife ( 21 ) will be in line with the blade at both table top level, and at the top of the blade. Using a straight edge, ensure that the blade ( 2 ) is aligned with the riving knife ( 21 ). With power disconnected, operate the blade tilt and height adjustments through the extremes of

travel and insure the blade guard assembly clears the blade in all operations.

 **WARNING:** Correct mounting and alignment of the blade guard assembly is essential to safe operation!

## Mounting the Throat Plate (Fig. D)

1. Align the throat plate ( 15 ) as shown in Figure D, and insert the tabs on the back of the throat plate into the holes on the back of the table opening.
2. Turn the locking screw ( 30 ) with a screw driver clockwise 90° to lock the table insert in place.
3. The throat plate includes four adjustment screws which raise or lower the throat plate. When properly adjusted, the front of the throat plate should be flush or slightly below the surface of the table top and secured in place. The rear of the throat plate should be flush or slightly above the table top.

 **WARNING:** Never use the machine without the throat plate. Immediately replace the throatplate when worn or damaged.

## Removing the Throat Plate

1. Remove the throat plate ( 15 ) by turning the locking screw ( 30 ) with a screw driver 90° anti-clockwise
2. Pull throat plate up and forward to expose the inside of the saw. DO NOT operate the saw without the throat plate.

## Fitting the Rip Fence (Fig. E)

The rip fence can be installed in two positions on the right (Position 1 ( 47 ) for 0 mm to 510 mm ripping, and Position 2 ( 47 ) for 100 mm to 610 mm ripping.) and one position on the left of your table saw.

1. Unlock the rip fence latches ( 17 ).
2. Holding the fence at an angle, align the locator pins ( 47 ) (front and back) on the fence rails with the fence head slots ( 31 ).
3. Slide the head slots onto the pins and rotate the fence down until it rests on the rails.
4. Lock the fence in place by closing the front and back latches ( 17 ) onto the rails.

## Fixing to Workbench (Fig. A)

- The machine frame between the feet on each side is provided with two holes ( 9 ) which allow fixing on a workbench. Use the holes diagonally.
- To improve the handling, fix the machine onto a piece of plywood a minimum of 15 mm thick.

When in use, the plywood sheet can be clamped to the workbench. This allows easier transportation of the machine, by releasing the clamps.

Holes ( 24 ) are also provided under the saw feet for mounting to DE7400 brackets.

## ADJUSTMENTS

### Blade Adjustment

#### Blade Alignment (Parallel to Mitre Slot) (Fig. F)

**WARNING:** *Cut Hazard. Check the blade at 0° and 45° to make sure blade does not hit the throat plate, causing personal injury.*

If the blade appears to be out of alignment with the mitre slot on the table top, it will require calibration for alignment. To realign the blade and mitre slot, use the following procedure:

**WARNING:** *To reduce the risk of serious personal injury, turn tool off and disconnect tool from power source before making any adjustments or removing/installing attachments or accessories. An accidental start-up can cause injury.*

1. Using a 5 mm hex wrench, loosen rear pivot bracket fasteners ( 32 , located on the underside of the table, just enough to allow the bracket to move side-to-side.
2. Adjust the bracket until the blade is parallel to the mitre gauge slot.
3. Tighten the rear pivot bracket fasteners to 12.5–13.6 Nm.

#### Blade Height Adjustment (Fig. A)

The blade can be raised and lowered by turning the blade height adjustment wheel ( 6 .

Make sure the top three teeth of the blade are just breaking through the upper surface of the workpiece when sawing. This will ensure that the maximum number of teeth are removing material at any given time, thus giving optimum performance.

#### Aligning Guard Assembly to Blade (Fig. G)

1. Remove the throat plate. Refer to **Removing Throat Plate** under **Assembly and Adjustments**.
2. Raise the blade to full depth of cut and 0° bevel angle.
3. Locate the three small set screws ( 33 . These screws will be used to adjust the riving knife position.
4. Lay a straight edge on the table against two blade tips. The riving knife should not touch the straight edge.
5. If adjustment is needed, loosen the two larger lock screws ( 34 .
6. Use the small set screws ( 33 to adjust the riving knife position. Lay the straight edge on the opposite side of the blade and repeat adjustments as needed.
7. Lightly tighten the two larger lock screws ( 34 .
8. Place a square flat against the riving knife to verify the riving knife is vertical and in-line with the blade.
9. If needed, use the set screws to bring the riving knife vertical with the square.
10. Repeat step 4 to verify position of riving knife. Repeat 5 through 9 if necessary.
11. Fully tighten the two larger lock screws ( 34 .

### Parallel Adjustment (Fig. A, H, I)

For optimum performance, the blade must be parallel to the rip fence. This adjustment has been made at the factory. To re-adjust:

#### Position 1 Fence Alignment

1. Install the fence in position 1 and unlock the rail lock lever ( 5 . Locate both locator pins ( 47 that support the fence on the front and rear rails.
2. Loosen the rear locator pin screw and adjust the alignment of the fence in the groove until the fence face is parallel to the blade. Make sure you measure from the fence face to the front and back of the blade to ensure alignment.
3. Tighten the locator screw and repeat on the left side of the blade.
4. Check rip scale pointer adjustment (Fig. I).

#### Position 2 Fence Alignment (Fig. H)

1. To align position 2 fence locator pins ( 47 , ensure position 1 pins have been aligned, refer to **Position 1 Fence Alignment**.
2. Loosen the position 2 pins, then using the holes on the blade wrench ( 19 as a guide for positioning, align the pins (Fig. H).
3. Tighten the locator pins (front and rear).

### Adjusting the Rip Scale (Fig. H, I)

1. Unlock the rail lock lever ( 5 .
2. Set the blade at 0° bevel and move the fence in until it touches the blade.
3. Lock the rail lock lever.
4. Loosen the rip scale indicator screws ( 35 and set the rip scale indicator to read zero (O). Retighten the rip scale indicator screws. The yellow rip scale (top) reads correctly only when the fence is mounted on the right side of the blade and is in position 1 ( 47 (for 0 mm to 510 mm ripping) not the 610 mm rip position. The white scale (bottom) reads correctly only when the fence is mounted on the right side of the blade and in position 2 ( 47 (for 100 mm to 610 mm ripping).

The rip scale reads correctly only when the fence is mounted to the right of the blade.

### Rail Lock Adjustment (Fig. I, J)

The rail lock has been factory-set. If you need to re-adjust, proceed as follows:

1. Lock the rail lock lever ( 5 .
2. On the underside of the saw, loosen the jam nut ( 36 .
3. Tighten the hex rod ( 37 until the spring on the locking system is compressed creating the desired tension on the rail lock lever. Retighten the jam nut against the hex rod.
4. Flip the saw over and check that the fence does not move when the lock lever is engaged. If the fence is still loose, tighten the spring further.

## Bevel Stop And Pointer Adjustment (Fig. K)

1. Raise the blade fully by rotating the blade height adjustment wheel ( 6 clockwise until it stops.
2. Unlock the bevel lock lever ( 7 by pushing it up and to the right. Loosen the bevel stop screw ( 38 .
3. Place a square flat against the table top and against the blade between teeth. Ensure the bevel lock lever is in its unlocked, or up, position.
4. Using the bevel lock lever, adjust the bevel angle until it is flat against the square.
5. Tighten the bevel lock lever by pushing it down.
6. Turn the bevel stop screw ( 38 to rotate the cam until it firmly contacts the bearing block. Tighten the bevel stop screw.
7. Check the bevel angle scale. If the pointer does not read 0°, loosen pointer screw ( 39 and move the pointer so it reads correctly. Retighten the pointer screw.
8. Repeat at 45°, but do not adjust pointer.

## Mitre Gauge Adjustment (Fig. A)

To adjust mitre gauge ( 10 loosen knob, set to desired angle and tighten knob.

## Body and Hand Position

Proper positioning of your body and hands when operating the table saw will make cutting easier, more accurate and safer.



### WARNING:

- Never place your hands near the cutting area.
- Place your hands no closer than 150 mm from the blade.
- Do not cross your hands.
- Keep both feet firmly on the floor and maintain proper balance.

## Prior to Operation



### WARNING:

- Install the appropriate saw blade. Do not use excessively worn blades. The maximum rotation speed of the tool must not exceed that of the saw blade.
- Do not attempt to cut excessively small pieces.
- Allow the blade to cut freely. Do not force.
- Allow the motor to reach full speed before cutting.

## OPERATION

### Instructions for Use



**WARNING:** Always observe the safety instructions and applicable regulations.



**WARNING:** To reduce the risk of serious personal injury, turn tool off and disconnect tool from power source before making any adjustments or removing/ installing attachments or accessories. An accidental start-up can cause injury.

To reduce effects of increased vibration, make sure the environment is not too cold, the machine and accessory are well maintained and the workpiece size is suitable for this machine.



### WARNING:

- Always observe the safety instructions and applicable regulations.
- Ensure the machine is placed to satisfy ergonomic conditions in terms of table height and stability. The machine site shall be chosen so that the operator has a good overview and enough free surrounding space around the machine that allow handling of the workpiece without any restrictions.
- Install the appropriate saw blade. Do not use excessively worn blades. The maximum rotation speed of the tool must not exceed that of the saw blade.
- Do not attempt to cut excessively small pieces.
- Allow the blade to cut freely. Do not force.
- Allow the motor to reach full speed before cutting.
- Make sure all locking knobs and clamp handles are tight.
- Never place either hand in the blade area when the saw is connected to the electrical power source.
- Never use your saw for freehand cuts!
- Do not saw warped, bowed or cupped workpieces. There must be at least one straight, smooth side to go against the rip fence or mitre fence.
- Always support long workpieces to prevent kickback.
- Do not remove any cut-offs from the blade area while the blade is running.

## Switching On and Off (Fig. A, L)

The ON/OFF assembly ( 8 of your saw bench offers multiple advantages:

- No-volt release function: should the power be shut off for any reason, the switch has to be deliberately reactivated.
- To switch the machine on, press the green start button ( 40 .
- To switch the machine off, press the red stop button ( 41 .

### Lock Off Feature Instructions

A cover above the switch folds down for insertion of a padlock to lock the saw off. A padlock with a maximum diameter of 6.35 mm and minimum clearance of 76.2 mm is recommended.

## Rip Fence Operation (Fig. A, M)

### Rail Lock Lever

The rail lock lever ( 5 locks the fence in place preventing movement during cutting. To lock the rail lever, push it down and toward the rear of the saw. To unlock, pull it up and toward the front of the saw.

**NOTE:** When ripping, always lock the rail lock lever.

### Work Support Extension /Narrow Ripping Fence

Your table saw is equipped with a work support extension to support work that extends beyond the saw table.



To use the narrow ripping fence in the work support position, rotate it from its stored position as shown in Figure M, and slide the pins into the lower sets of slots ( 42 on both ends of the fence.

To use the narrow ripping fence in the narrow ripping position, snap the pins into the upper sets of slots ( 43 on both ends of the fence. This feature will allow 51 mm of extra clearance to the blade. Refer to Figure M.

**NOTE:** Retract the work support extension or adjust to narrow rip fence position whenever working over the table.

### Fine Adjustment Knob

The fine adjustment knob ( 4 allows smaller adjustments when setting the fence. Before adjusting, be sure the rail lock lever is in its up or unlocked, position.

### Rip Scale Pointer

The rip scale pointer will need to be adjusted for proper performance of the rip fence if the user switches between thick and thin kerf blades. The rip scale pointer only reads correctly for position 1 (0 mm to 510 mm), however for position 1 with narrow rip fence in use add 52 mm. See **Adjusting the Rip Scale** under **Assembly and Adjustments**.

## Basic Saw Cuts

### Ripping (Fig. A, N)



**WARNING:** Sharp edges.

1. Set the blade to 0°.
2. Lock the rip fence latch ( 17 (Fig. A).
3. Raise the blade until it is about 3 mm higher than the top of the workpiece.
4. Adjust the position of the fence, refer to **Rip Fence Operation**.
5. Hold the workpiece flat on the table and against the fence. Keep the workpiece away from the blade.
6. Keep both hands away from the path of the blade.
7. Switch the machine on and allow the blade to reach full speed.
8. Slowly feed the workpiece underneath the guard, keeping it firmly pressed against the rip fence. Allow the teeth to cut, and do not force the workpiece through the blade. The blade speed should be kept constant.
9. Always use a push stick ( 20 when working close to the blade (Fig. N).
10. After completing the cut, switch the machine off, allow the blade to stop and remove the workpiece.



**WARNING:**

- Never push or hold the "free" or cut-off-side of the workpiece.
- Do not cut excessively small workpieces.
- Always use a push stick when ripping small workpieces.

### Bevel Cuts (Fig. A)



**WARNING:** Avoid bevel ripping on the beveling (left) side of the blade.

1. Set the required bevel angle, by rotating lever ( 7 by pushing it up and to the right.
2. Set to desired angle, rotate lever by pushing down and to the left to lock in place.
3. Proceed as for ripping.

### Cross-Cutting and Bevel Crosscutting

1. Remove the rip fence and install the mitre gauge in the slot.
2. Lock the mitre gauge at 0°.
3. Proceed as for ripping.

### Mitre Cuts (Fig. A)

1. Set the mitre gauge ( 10 to the required angle.

**NOTE:** Always hold the workpiece tightly against the face of the mitre gauge.

2. Proceed as for ripping.

### Compound Mitre

This cut is a combination of a mitre and a bevel cut. Set the bevel to the angle required and proceed as for a cross-cut mitre.

## Support for Long Pieces

- Always support long pieces.
- Support long workpieces using any convenient means such as saw-horses or similar devices to keep the ends from dropping.



## Dust Extraction (Fig. A)

Dust from materials such as lead-containing coatings and some wood types, can be harmful to one's health. Breathing-in the dust can cause allergic reactions and/or lead to respiratory infections of the user or bystanders. Certain dust, such as oak or beech dust, is considered carcinogenic, especially in connection with woodtreatment additives.

Observe the relevant regulations in your country for the materials to be worked.

The vacuum cleaner must be suitable for the material being worked.

When vacuuming dry dust that is especially detrimental to health or carcinogenic, use dust class M vacuum cleaner.

The machine is provided with a dust collection port ( 13 at the rear of the machine suitable for use with dust extraction equipment featuring 57/65 mm nozzles. Supplied with the machine is a reducer port for use of dust extraction nozzles of 34–40 mm diameter.

The blade guard assembly also features a dust collection port ( 14 for 35 mm nozzles and AirLock system.

- During all operations, connect a dust extraction device designed in accordance with the relevant regulations regarding dust emission.

- Ensure that the dust extraction hose in use is suitable for the application and material being cut. Ensure proper hose management.
- A splitter accessory is available to connect both ports to a single dust extractor.
- Be aware that man-made materials such as chipboard or MDF produce more dust particles during cutting than natural timber.

## Storage (Fig. A, O)

1. Attach push stick ( 20 ) to fence.
2. Remove the blade guard assembly ( 11 ). Refer to **Mounting/Removing the Blade Guard Assembly/Riving Knife**. Place blade guard assembly into holder as shown, then turn lock 1/4 turn to lock in place.
3. Slide closed end of blade wrenches ( 19 ) into catch then secure in place with wing nut.
4. Insert guide bar of mitre gauge ( 10 ) into pocket until it bottoms out.
5. Remove the non-through sawing riving knife ( 21 ). Refer to **Mounting/Removing the Blade Guard Assembly/Riving Knife**. Place the non-through sawing riving knife into the holder as shown, then turn lock 1/4 turn to lock in place. The non-through sawing riving knife can also be installed and stored in its regular usage position.
6. To store fence ( 16 ), snap work support in stored position. Remove fence from rails. Reattach fence upside down on left side of saw. Pivot fence lock latches to secure.
7. Turn the handwheel ( 6 ) in anticlockwise direction until the teeth of the saw blade are positioned below the saw table ( 1 ).
8. Wind the mains cable around the cable holder ( 23 ).

## Transporting (Fig. A)

- Turn the tool off and disconnect from power supply.
- Wind the mains cable around the cable holder ( 23 ).
- Remove all accessories that cannot be mounted firmly to the power tool.
- Retract the work support extension.
- Always carry the machine using the carry handles ( 12 ).



**WARNING:** Always transport the machine with the upper blade guard fitted.

## MAINTENANCE

Your power tool has been designed to operate over a long period of time with a minimum of maintenance. Continuous satisfactory operation depends upon proper tool care and regular cleaning.



**WARNING:** To reduce the risk of serious personal injury, turn tool off and disconnect tool from power source before making any adjustments or removing/installing attachments or accessories. An accidental start-up can cause injury.



## Lubrication (Fig. P)

The motor and bearings require no additional lubrication. If raising and lowering the blade becomes difficult, clean and grease the height adjustment screws:

1. Unplug the saw from power source.
2. Turn the saw on its side.
3. Clean and lubricate the height adjustment screw threads ( 44 ) on the underside of this saw as shown in Figure P. Use general purpose grease.



## Cleaning (Fig. A, Q)



**WARNING:** Blow dirt and dust out of the main housing with dry air as often as dirt is seen collecting in and around the air vents. Wear approved eye protection and approved dust mask when performing this procedure.



**WARNING:** Never use solvents or other harsh chemicals for cleaning the non-metallic parts of the tool. These chemicals may weaken the materials used in these parts. Use a cloth dampened only with water and mild soap. Never let any liquid get inside the tool; never immerse any part of the tool into a liquid.



**WARNING:** To reduce the risk of injury, regularly clean the table top and ventilation slots.



**WARNING:** To reduce the risk of injury, regularly clean the dust collection system.



**WARNING:** To reduce the risk of serious personal injury, do not use the saw without reattaching the dust access door.

The blade guard assembly ( 11 ) and throat plate must be placed in position before operating the saw.

Before use, carefully inspect upper and lower blade guards as well as the dust extraction tube to determine that it will operate properly. Ensure that chips, dust or work piece particles cannot lead to blockage of one of the functions.

In case workpiece fragments are jammed between saw blade and guards, disconnect the machine from the power supply and follow the instructions given in section **Mounting the Saw Blade**. Remove the jammed parts and reassemble the saw blade.

Keep the ventilation slots clear and regularly clean the housing with a soft cloth.

Regularly clean the dust collection system:

1. Turn the saw on its side, so the bottom, open part of the unit is accessible.
2. Open the dust access door ( 45 ) shown in Figure Q loosening the two screws ( 46 ) and detaching the door. Clean out the excess dust, then reattach the door securing it with the screws.

## Optional Accessories



**WARNING:** *Since accessories, other than those offered by DEWALT, have not been tested with this product, use of such accessories with this tool could be hazardous.*

*To reduce the risk of injury, only DEWALT recommended accessories should be used with this product.*

Consult your dealer for further information on the appropriate accessories.

Replace blade guard when worn. Contact your local DEWALT service centre for details on a blade guard replacement.

**SAW BLADES:** ALWAYS USE 210 mm noise reduced saw blades with 30 mm arbour holes. Blade speed rating must be at least 6000 RPM. Never use a smaller diameter blade. It will not be guarded properly.

| BLADE DESCRIPTIONS |            |             |       |
|--------------------|------------|-------------|-------|
| Application        | #          | Diameter    | Teeth |
| General purpose    | DT20432-QZ | 210 x 30 mm | 24    |
| Fine crosscuts     | DT20433-QZ | 210 x 30 mm | 40    |

## Protecting the Environment



Separate collection. Products marked with this symbol must not be disposed of with normal household waste.



Products contain materials that can be recovered or recycled reducing the demand for raw materials.

Please recycle electrical products according to local provisions.

Further information is available at [www.2helpU.com](http://www.2helpU.com).

|   |   |   |   |
|---|---|---|---|
| <b>Belgique et<br/>Luxembourg België en Luxemburg</b> | DeWALT – Belgium BVBA<br>Egide Walschaertsstraat 16<br>2800 Mechelen  | Tel: NL 32 15 47 37 63<br>Tel: FR 32 15 47 37 64<br>Fax: 32 15 47 37 99 | www.dewalt.be<br>enduser.BE@SBDInc.com          |
| <b>Danmark</b>  | DeWALT (Stanley Black&Decker AS)<br>Roskildevej 22<br>2620 Albertslund  | Tel: 70 20 15 10<br>Fax: 70 22 49 10                                    | www.dewalt.dk<br>kundeservice.dk@sbdinc.com     |
| <b>Deutschland</b>                                    | DeWALT<br>Richard Klingner Str. 11<br>65510 Idstein   | Tel: 06126-21-0<br>Fax: 06126-21-2770                                   | www.dewalt.de<br>infodfwge@sbdinc.com           |
| <b>Ελλάδα</b>   | DeWALT (Ελλάδα) A.E.<br>ΕΔΠΑ-ΓΡΑΦΕΙΑ : Στραβουρος 7<br>& Λ. Βουλιαγμένης, Γλυφάδα 166 74, Αθήνα<br>SERVICE : Ημερος Τόπος 2 (Χάνι Αδών) – 193 00 Ασπρόπυργος  | Τηλ: 00302108981616<br>Φαξ: 00302108983570                              | www.dewalt.gr<br>Greece.Service@sbdinc.com      |
| <b>España</b>   | DeWALT Ibérica, S.C.A.<br>Parc de Negocios "Mas Blau"<br>Edificio Muntadas, c/Bergadà, 1, Of. A6<br>08820 El Prat de Llobregat (Barcelona)  | Tel: 934 797 400<br>Fax: 934 797 419                                    | www.dewalt.es<br>respuesta.postventa@sbdinc.com |
| <b>France</b>   | DeWALT (Stanley Black & Decker France SAS)<br>62 Chemin de la Bruyère<br>CS 60105,<br>69574 DARDILLY Cedex  | Tel: 04 72 20 39 20<br>Fax: 04 72 20 39 00                              | www.dewalt.fr<br>scuf@sbdinc.com                |
| <b>Schweiz<br/>Suisse<br/>Svizzera</b>                | DeWALT<br>In der Luberzen 42<br>8902 Urdorf   | Tel: 044 - 755 60 70<br>Fax: 044 - 730 70 67                            | www.dewalt.ch<br>service@rofaog.ch              |
| <b>Ireland</b>  | DeWALT<br>Building 4500, Kinsale Road<br>Cork Airport Business Park<br>Cork, Ireland  | Tel: 00353-2781800<br>Fax: 01278 1811                                   | www.dewalt.ie<br>Sales.ireland@sbdinc.com       |
| <b>Italia</b>   | DeWALT<br>via Energypark 6<br>20871 Vimercate (MB), IT  | Tel: 800-014353<br>39 039-9590200<br>Fax: 39 039-9590311                | www.dewalt.it                                   |
| <b>Nederlands</b>                                     | DeWALT<br>Netherlands BVPostbus 83,<br>6120 AB BORN   | Tel: 31 164 283 063<br>Fax: 31 164 283 200                              | www.dewalt.nl                                   |
| <b>Norge</b>  | DeWALT<br>Postboks 4613<br>0405 Oslo, Norge   | Tel: 45 25 13 00<br>Fax: 45 25 08 00                                    | www.dewalt.no<br>kundeservice.no@sbdinc.com     |
| <b>Österreich</b>                                     | DeWALT<br>Werkzeug Vertriebsges.m.b.H<br>Oberlaaerstrasse 248, A-1230 Wien  | Tel: 01 - 66116 - 0<br>Fax: 01 - 66116 - 614                            | www.dewalt.at<br>service.austria@sbdinc.com     |
| <b>Portugal</b>                                       | DeWALT<br>Ed. D Dirnis, Quina da Fonte<br>Rua dos Malhoes 2 2A 2º Esq.<br>Oeiras e S. Juliao da Barra, paço de Arcos e Caxias<br>2770 071 Paço de Arcos   | Tel: +351 214667500<br>Fax: +351214667580                               | www.dewalt.pt<br>resposta.posvenda@sbdinc.com   |
| <b>Suomi</b>  | DeWALT<br>PL47<br>00521 Helsinki, Suomi   | Puh: 010 400 4333<br>Faksi: 0800 411 340                                | www.dewalt.fi<br>asiakaspalvelu.fi@sbdinc.com   |
| <b>Sverige</b>  | DeWALT<br>BOX 94<br>43122 Mölndal<br>Sverige  | Tel: 031 68 61 60<br>Fax: 031 68 60 08                                  | www.dewalt.se<br>kundeservice.se@sbdinc.com     |
| <b>Türkiye</b>  | Sanayi ve Ticaret Bakanlıği tebliğince kullanim ömrü 7 yıldır.<br>Stanley Black & Decker Turkey Alet Üretim San. Tic. Ltd.Şti.<br>AND Kozyatağı – İçerenköy Mah. Umut Sok. AND Ofis Sit. No: 10-12 / 82-83-84<br>Ataşehir/İstanbul, Türkiye | Tel: +90 216 665 2900<br>Faks: +90 216 665 2901                         | www.dewalt.com.tr<br>info-tr@sbdinc.com         |
| <b>United Kingdom</b>                                 | DeWALT, 210 Bath Road;<br>Slough, Berks SL1 3YD   | Tel: 01753-567055<br>Tel: 01753-572112                                  | www.dewalt.co.uk<br>emaservice@sbdinc.com       |
| <b>Australia</b>                                      | DeWALT<br>810 Whitehorse Road Box Hill<br>VIC 3128 Australia  | Tel: Aust 1800 338 002<br>Tel: NZ 0800 339 258                          | www.dewalt.com.au<br>www.dewalt.co.nz           |
| <b>Middle East Africa</b>                             | DeWALT<br>P.O. Box - 17164,<br>Jebel Ali Free Zone (South), Dubai, UAE  | Tel: 971 4 812 7400<br>Fax: 971 4 2822765                               | www.dewalt.ae<br>Service.MEA@sbdinc.com         |