

DEWALT®



Instruction Manual
Guide D'utilisation
Manual de instrucciones

D25501, D25553

1-9/16" (40 mm) SDS Max and Spline Combination Hammers

D25601, D25603, D25651

1-3/4" (45 mm) SDS Max and Spline Combination Hammers

D25831, D25851

SDS Max and Spline Chipping Hammers

D25501, D25553

Marteaux mixtes, SDS Max et cannelures, 40 mm (1-9/16 po)

D25601, D25603, D25651

Marteaux mixtes, SDS Max et cannelures, 45 mm (1-3/4 po)

D25831, D25851

Marteaux burineurs, SDS Max et cannelures

D25501, D25553

Martillos de 40 mm (1-9/16") SDS Max y estriados de combinación

D25601, D25603, D25651

Martillos de 45 mm (1-3/4") SDS Max y estriados de combinación

D25831, D25851

Martillos de burilado SDS Max y estriados

www.DEWALT.com

If you have questions or comments, contact us.
Pour toute question ou tout commentaire, nous contacter.
Si tiene dudas o comentarios, contáctenos.

1-800-4-DEWALT

ENGLISH

English (***original instructions***) 1

Français (*traduction de la notice d'instructions originale*) 10

Español (*traducido de las instrucciones originales*) 20

Definitions: Safety Alert Symbols and Words

This instruction manual uses the following safety alert symbols and words to alert you to hazardous situations and your risk of personal injury or property damage.



DANGER: Indicates an imminently hazardous situation which, if not avoided, **will** result in **death or serious injury**.



WARNING: Indicates a potentially hazardous situation which, if not avoided, **could** result in **death or serious injury**.



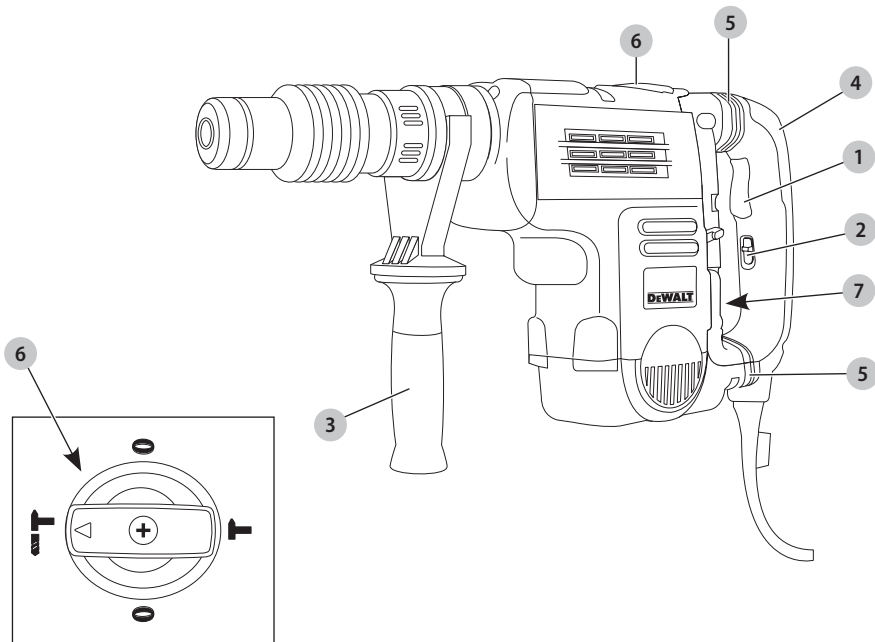
CAUTION: Indicates a potentially hazardous situation which, if not avoided, **may** result in **minor or moderate injury**.



(Used without word) Indicates a safety related message.

NOTICE: Indicates a practice **not related to personal injury** which, if not avoided, **may** result in **property damage**.

Fig. A



- 1 Trigger switch (D25501, D25553, D25601, D25603, D25651)
Toggle switch (D25831, D25851)
- 2 Lock-on slider (D25501, D25553, D25601, D25603, D25651)
- 3 Side handle
- 4 Main handle
- 5 SHOCKS Active Vibration Control® System (D25651, D25601, D25603, D25831, D25851)
- 6 Mode selector
- 7 Electronic Speed and impact control dial



WARNING! Read all safety warnings and all instructions. Failure to follow the warnings and instructions may result in electric shock, fire and/or serious injury.



WARNING: To reduce the risk of injury, read the instruction manual.

If you have any questions or comments about this or any DeWALT tool, call us toll free at: 1-800-4-DeWALT (1-800-433-9258).

GENERAL POWER TOOL SAFETY WARNINGS



WARNING! Read all safety warnings and all instructions. Failure to follow the warnings and instructions may result in electric shock, fire and/or serious injury.

SAVE ALL WARNINGS AND INSTRUCTIONS FOR FUTURE REFERENCE

The term "power tool" in the warnings refers to your mains-operated (corded) power tool or battery-operated (cordless) power tool.

1) Work Area Safety

- a) **Keep work area clean and well lit.** Cluttered or dark areas invite accidents.
- b) **Do not operate power tools in explosive atmospheres, such as in the presence of flammable liquids, gases or dust.** Power tools create sparks which may ignite the dust or fumes.
- c) **Keep children and bystanders away while operating a power tool.** Distractions can cause you to lose control.

2) Electrical Safety

- a) **Power tool plugs must match the outlet. Never modify the plug in any way. Do not use any adapter plugs with earthed (grounded) power tools.** Unmodified plugs and matching outlets will reduce risk of electric shock.
- b) **Avoid body contact with earthed or grounded surfaces such as pipes, radiators, ranges and refrigerators.** There is an increased risk of electric shock if your body is earthed or grounded.
- c) **Do not expose power tools to rain or wet conditions.** Water entering a power tool will increase the risk of electric shock.
- d) **Do not abuse the cord. Never use the cord for carrying, pulling or unplugging the power tool. Keep cord away from heat, oil, sharp edges or moving parts.** Damaged or entangled cords increase the risk of electric shock.
- e) **When operating a power tool outdoors, use an extension cord suitable for outdoor use.** Use of a cord suitable for outdoor use reduces the risk of electric shock.
- f) **If operating a power tool in a damp location is unavoidable, use a ground fault circuit interrupter (GFCI) protected supply.** Use of a GFCI reduces the risk of electric shock.

3) Personal Safety

- a) **Stay alert, watch what you are doing and use common sense when operating a power tool. Do not use a power tool while you are tired or under the influence of drugs, alcohol or medication.** A moment of inattention while operating power tools may result in serious personal injury.

- b) **Use personal protective equipment. Always wear eye protection.** Protective equipment such as dust mask, non-skid safety shoes, hard hat, or hearing protection used for appropriate conditions will reduce personal injuries.
- c) **Prevent unintentional starting. Ensure the switch is in the off position before connecting to power source and/or battery pack, picking up or carrying the tool.** Carrying power tools with your finger on the switch or energizing power tools that have the switch on invites accidents.
- d) **Remove any adjusting key or wrench before turning the power tool on.** A wrench or a key left attached to a rotating part of the power tool may result in personal injury.
- e) **Do not overreach. Keep proper footing and balance at all times.** This enables better control of the power tool in unexpected situations.
- f) **Dress properly. Do not wear loose clothing or jewelry. Keep your hair, clothing and gloves away from moving parts.** Loose clothes, jewelry or long hair can be caught in moving parts.
- g) **If devices are provided for the connection of dust extraction and collection facilities, ensure these are connected and properly used.** Use of dust collection can reduce dust-related hazards.

4) Power Tool Use and Care

- a) **Do not force the power tool. Use the correct power tool for your application.** The correct power tool will do the job better and safer at the rate for which it was designed.
- b) **Do not use the power tool if the switch does not turn it on and off.** Any power tool that cannot be controlled with the switch is dangerous and must be repaired.
- c) **Disconnect the plug from the power source and/or the battery pack from the power tool before making any adjustments, changing accessories, or storing power tools.** Such preventive safety measures reduce the risk of starting the power tool accidentally.
- d) **Store idle power tools out of the reach of children and do not allow persons unfamiliar with the power tool or these instructions to operate the power tool.** Power tools are dangerous in the hands of untrained users.
- e) **Maintain power tools. Check for misalignment or binding of moving parts, breakage of parts and any other condition that may affect the power tool's operation. If damaged, have the power tool repaired before use.** Many accidents are caused by poorly maintained power tools.
- f) **Keep cutting tools sharp and clean.** Properly maintained cutting tools with sharp cutting edges are less likely to bind and are easier to control.
- g) **Use the power tool, accessories and tool bits, etc. in accordance with these instructions, taking**

into account the working conditions and the work to be performed. Use of the power tool for operations different from those intended could result in a hazardous situation.

5) Service

- a) **Have your power tool serviced by a qualified repair person using only identical replacement parts.** This will ensure that the safety of the power tool is maintained.

Additional Safety Instructions for Rotary Hammers


- **Wear ear protectors.** Exposure to noise can cause hearing loss.
- **Use auxiliary handle(s), if supplied with the tool.** Loss of control can cause personal injury.
- **Hold power tools by insulated gripping surfaces when performing an operation where the cutting tool may contact hidden wiring or its own cord.** Cutting accessory contacting a "live" wire may make exposed metal parts of the power tool "live" and could give the operator an electric shock.
- **Use clamps or other practical way to secure and support the workpiece to a stable platform.** Holding the work by hand or against your body is unstable and may lead to loss of control.
- **Wear safety goggles or other eye protection.** Hammering operations cause chips to fly. Flying particles can cause permanent eye damage. Wear a dust mask or respirator for applications that generate dust. Ear protection may be required for most applications.
- **Keep a firm grip on the tool at all times. Do not attempt to operate this tool without holding it with both hands.** Operating this tool with one hand will result in loss of control. Breaking through or encountering hard materials such as re-bar may be hazardous as well. Tighten the side handle securely before use.
- **Do not operate this tool for long periods of time.** Vibration caused by hammer action may be harmful to your hands and arms. Use gloves to provide extra cushion and limit exposure by taking frequent rest periods.
- **Do not recondition bits yourself.** Chisel reconditioning should be done by an authorized specialist. Improperly reconditioned chisels could cause injury.
- **Wear gloves when operating tool or changing bits.** Accessible metal parts on the tool and bits may get extremely hot during operation. Small bits of broken material may damage bare hands.
- **Never lay the tool down until the bit has come to a complete stop.** Moving bits could cause injury.
- **Do not strike jammed bits with a hammer to dislodge them.** Fragments of metal or material chips could dislodge and cause injury.
- **Keep the power cord away from the rotating bit. Do not wrap the cord around any part of your body.** An electric cord wrapped around a spinning bit may cause personal injury and loss of control.

- **Air vents often cover moving parts and should be avoided.** Loose clothes, jewelry or long hair can be caught in moving parts.

Additional Safety Information

 **WARNING: ALWAYS** use safety glasses. Everyday eyeglasses are NOT safety glasses. Also use face or dust mask if cutting operation is dusty. ALWAYS WEAR CERTIFIED SAFETY EQUIPMENT:


- ANSI Z87.1 eye protection (CAN/CSA Z94.3),
- ANSI S12.6 (S3.19) hearing protection,
- NIOSH/OSHA/MSHA respiratory protection.

 **WARNING:** Some dust created by power sanding, sawing, grinding, drilling, and other construction activities contains chemicals known to the State of California to cause cancer, birth defects or other reproductive harm. Some examples of these chemicals are:


- lead from lead-based paints,
- crystalline silica from bricks and cement and other masonry products, and
- arsenic and chromium from chemically-treated lumber.

Your risk from these exposures varies, depending on how often you do this type of work. To reduce your exposure to these chemicals: work in a well ventilated area, and work with approved safety equipment, such as those dust masks that are specially designed to filter out microscopic particles.

- **Avoid prolonged contact with dust from power sanding, sawing, grinding, drilling, and other construction activities. Wear protective clothing and wash exposed areas with soap and water.** Allowing dust to get into your mouth, eyes, or lay on the skin may promote absorption of harmful chemicals.

 **WARNING:** Use of this tool can generate and/or disperse dust, which may cause serious and permanent respiratory or other injury. Always use NIOSH/OSHA approved respiratory protection appropriate for the dust exposure. Direct particles away from face and body.

 **WARNING: Always wear proper personal hearing protection that conforms to ANSI S12.6 (S3.19) during use.** Under some conditions and duration of use, noise from this product may contribute to hearing loss.

 **CAUTION: When not in use, place tool on its side on a stable surface where it will not cause a tripping or falling hazard.**

- **Air vents often cover moving parts and should be avoided.** Loose clothes, jewelry or long hair can be caught in moving parts.

ENGLISH

- **An extension cord must have adequate wire size (AWG or American Wire Gauge) for safety.** The smaller the gauge number of the wire, the greater the capacity of the cable, that is, 16 gauge has more capacity than 18 gauge. An undersized cord will cause a drop in line voltage resulting in loss of power and overheating. When using more than one extension to make up the total length, be sure each individual extension contains at least the minimum wire size. The following table shows the correct size to use depending on cord length and nameplate ampere rating. If in doubt, use the next heavier gauge. The lower the gauge number, the heavier the cord.

Minimum Gauge for Cord Sets

Volts	Total Length of Cord in Feet (meters)					
	120 V	25 (7.6)	50 (15.2)	100 (30.5)	150 (45.7)	200 (61.0)
240 V	50 (15.2)	100 (30.5)	200 (61.0)	300 (91.4)		
Ampere Rating		American Wire Gauge				
More Than	Not More Than					
0	6	18	16	16	14	
6	10	18	16	14	12	
10	12	16	16	14	12	
12	16	14	12	Not Recommended		

The label on your tool may include the following symbols. The symbols and their definitions are as follows:

- V volts
- Hz hertz
- min minutes
- or DC..... direct current
- Ⓢ Class I Construction (grounded)
- .../min per minute
- BPM beats per minute
- IPM impacts per minute
- RPM revolutions per minute
- sfpm surface feet per minute
- SPM strokes per minute
- A amperes
- W watts
- ~ or AC..... alternating current
- Ⓢ or AC/DC... alternating or direct current
- Ⓢ Class II Construction (double insulated)
- n₀ no load speed
- n rated speed
- Ⓢ earthing terminal
- ⚠ safety alert symbol
- ⚠ visible radiation
- ☹ wear respiratory protection
- ☹ wear eye protection
- ☹ wear hearing protection
- 📖 read all documentation

SAVE THESE INSTRUCTIONS FOR FUTURE USE

Motor

Be sure your power supply agrees with the nameplate marking. Voltage decrease of more than 10% will cause loss of power and overheating. DeWALT tools are factory tested; if this tool does not operate, check power supply.

COMPONENTS (FIG. A)

⚠ WARNING: Never modify the power tool or any part of it. Damage or personal injury could result.

Refer to Figure A at the beginning of this manual for a complete list of components.

INTENDED USE

These heavy-duty rotary hammers have been designed for professional hammerdrilling, and chipping at various work sites (i.e., construction sites). **DO NOT** use under wet conditions or in presence of flammable liquids or gases.

DO NOT use under wet conditions or in presence of flammable liquids or gases.

These heavy-duty rotary hammers are professional power tools.

DO NOT let children come into contact with the tool.

Supervision is required when inexperienced operators use this tool.

ASSEMBLY AND ADJUSTMENTS

⚠ WARNING: To reduce the risk of serious personal injury, turn unit off and disconnect it from power source before making any adjustments or removing/installing attachments or accessories. An accidental start-up can cause injury.

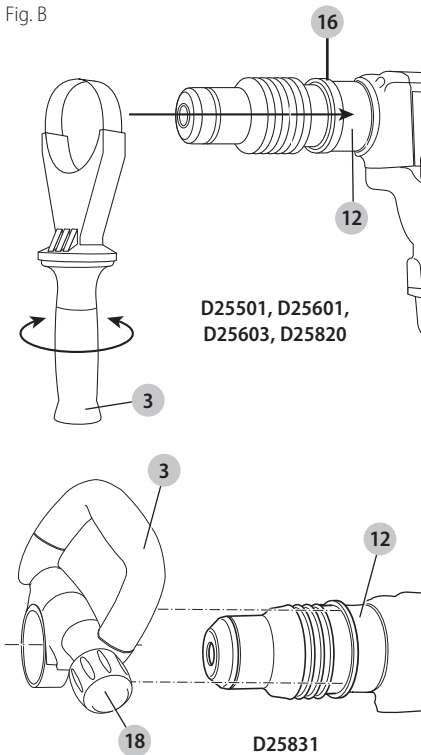
Side Handle (Fig. B)

⚠ WARNING: To reduce the risk of personal injury, **ALWAYS** operate the tool with the side handle properly installed and securely tightened. Failure to do so may result in the side handle slipping during tool operation and subsequent loss of control. Hold tool with both hands to maximize control.

The side handle **3** clamps to the mounting area **12** of the gear case and may be rotated 360° to permit right- or left-hand use. The side handle must be tightened sufficiently to resist the twisting action of the tool if the accessory binds or stalls. Be sure to grip the side handle at the far end to control the tool during a stall.

To loosen side handle, rotate counterclockwise.

Fig. B



SHOCKS Active Vibration Control® System (Fig. A, F)

D25651, D25601, D25603, D25831, D25851

For best vibration control, hold the tool with one hand on the main handle **4** and the other hand on the side handle **3**. Apply just enough pressure so the damping device on the main handle is approximately mid stroke. The hammer only needs enough pressure to engage the active vibration control. Applying too much pressure will not make the tool drill or chip faster and active vibration control will not engage.

Inserting and Removing Spline Drive Accessories (Fig. C)

D25553, D25651, D25851



WARNING: Burn hazard. ALWAYS wear gloves when changing bits. Accessible metal parts on the tool and bits may get extremely hot during operation. Small bits of broken material may damage bare hands.



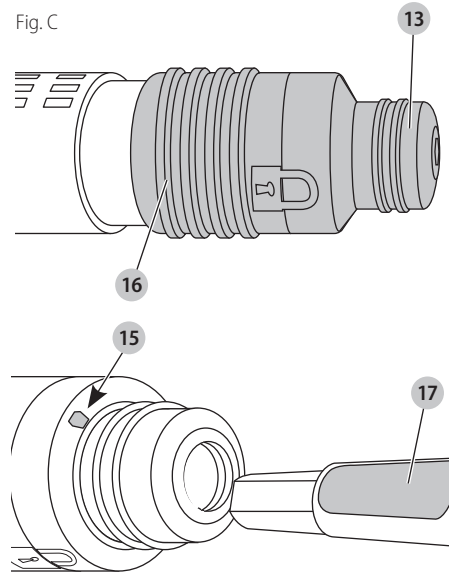
WARNING: Do not attempt to tighten or loosen drill bits (or any other accessory) by gripping the front part of the chuck and turning the tool on. Damage to the chuck and personal injury may occur.

1. Insert the bit shank into the tool holder **13** as far as it will go. The groove on the chisel shank **17** must be aligned with the symbol **15** on the toolholder. If

inserted correctly, the locking sleeve **16** moves back to the end position and shows a closed lock symbol.

2. Pull on the bit to be sure that it is properly locked.
3. If the chisel groove is not aligned with the symbol, or is not inserted to the complete depth the lock symbol remains open.
4. To remove the bit, pull back the locking sleeve and pull the bit out.

Fig. C



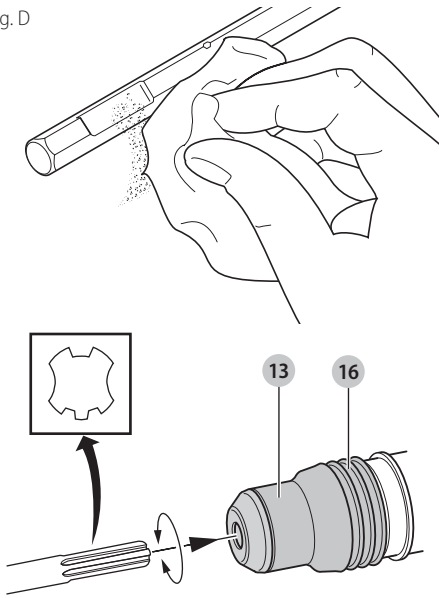
Inserting and Removing SDS Max Accessories (Fig. D)

D25501, D25601, D25603, D25831

1. Pull back the locking sleeve **16** and insert the bit shank. The bit shank must be clean.
2. Turn the bit slightly until the sleeve snaps back into position.
3. Ensure the bit is properly engaged.

NOTE: The bit needs to move several centimeters in and out of the tool holder **13** when properly engaged.
4. To remove the bit, pull back the locking sleeve and pull the bit out.

Fig. D



Two-Stage Clutch/E-Clutch™ (Fig. E)

NOTICE: Always turn the tool off before changing torque control settings or damage to tool may result.

Two-stage clutch

D25603, D25651

Clutch Setting 1 **14** is designed for most hammerdrilling applications and is designed to easily clutch out when the drill bit encounters re-bar or other foreign substances.

Clutch Setting 2 **11** is designed for higher torque applications such as core-bits and deep hole hammerdrilling and is designed to clutch out at a higher torque threshold.

Move the torque control lever **8** to Clutch Setting 1 or 2 as needed for application.

NOTE: Allow the motor housing to rotate a little while changing torque.

NOTE: If it is not possible to select Clutch Setting 2, run the unit under load and try again.

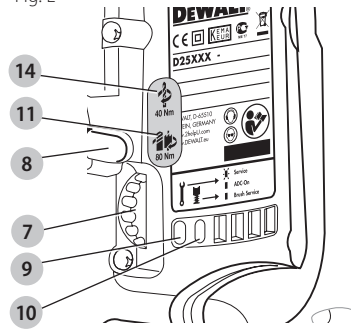
Each time the tool is plugged in, it will automatically default to Clutch Setting 1, the most sensitive setting.

E-CLUTCH™

D25603

In addition, E-Clutch™ offers increased user comfort and safety through an on-board antirotation technology capable of detecting if the user loses control of the hammer. When a jam is detected, the torque and speed are reduced instantly. The red indicator LED **9** illuminates when the E-Clutch™ is engaged.

Fig. E



Electronic Speed and Impact Control (Fig. E)

D25651, D25601, D25603, D25831, D25851

The electronic speed and impact control allows the use of smaller drill bits without the risk of bit breakage, hammerdrilling into light and brittle materials without shattering and optimal tool control for precise chipping.

To set the control dial, turn the dial **7** to the desired level. The higher the number, the greater the speed and impact energy. Dial settings make the tool extremely adaptable for many different applications. The required setting depends on the bit size and hardness of material being drilled.

Mode Selector (Fig. A)

NOTICE: Never change the mode while the unit is running. Tool must come to a complete stop before activating the mode selector button or damage to the tool may result.

CAUTION: Do not change to hammerdrill mode with chisel bit in tool holder. Personal injury and damage to tool may result.

The D25501, D25553, D25601, D25603, and D25651 use two operating modes. To select the required operating mode, rotate the mode selector **6** until the arrow points to the hammerdrilling or the chipping icon. The D25831 and D25851 use only the chipping mode.

Hammerdrilling Mode (H)

D25501, D25553, D25601, D25603, D25651

The tool simultaneously rotates and impacts the work. This mode is appropriate for all concrete and masonry operations.

Chipping Mode (T)

D25831, D25851

The spindle lock is engaged during chipping mode so the tool impacts the work without rotating. This mode is appropriate for light chipping, chiseling and demolition applications.


NOTE: In chipping mode, the hammerdrill can also be used as a lever to free a jammed drill bit.

Chisel Bit adjustment ()


D25831, D25851

Turn the mode selector to one of the chisel bit adjustment icons to adjust the chisel to the desired position. There are multiple positions to set the angle of the chisel. After finding the desired position, slightly maneuver the chisel bit back and forth to ensure the chisel is properly engaged.

Indicator Lights (Fig. A, E)

The yellow brush wear indicator LED  lights up when the carbon brushes are nearly worn out indicating that the tool needs servicing within the next 8 hours of use.


The red indicator LED  lights up if the lock-on slider  and/or E-Clutch™ is engaged in any mode except the chipping mode.


The red indicator LED  starts to flash if there is a fault with the tool or the brushes have completely worn out (refer to **Repairs** under **Maintenance**).


INDICATOR	DIAGNOSIS	SOLUTION
OFF	Tool is functioning normally	Follow all warnings and instructions when operating tool
SOLID	Perform and protect control has been activated	With tool properly supported, release trigger; the tool will function normally when the trigger is depressed again and the indicator light will go out
FLASHING	Perform and protect control is malfunctioning	Take the tool to an authorized DeWALT repair agent.

NOTE: If the tool power is insufficient for normal hammering and if the LED does not flash repeatedly after cycling the trigger, take the tool to an authorized DeWALT repair center.


OPERATION

 **WARNING:** To reduce the risk of serious personal injury, turn unit off and disconnect it from power source before making any adjustments or removing/installing attachments or accessories. An accidental start-up can cause injury.


 **WARNING:** To reduce the risk of personal injury, ALWAYS ensure workpiece is anchored or clamped firmly. If hammerdrilling thin material, use a wood “back-up” block to prevent damage to the material.


 **WARNING:** To reduce the risk of personal injury, ALWAYS operate the tool with the side handle properly installed and securely tightened. Failure to do so may result in the side handle slipping during

tool operation and subsequent loss of control. Hold tool with both hands to maximize control.

 **WARNING:** Drill may stall if overloaded causing a sudden twist. Always expect the stall. Grip the drill firmly with both hands to control the twisting action and avoid injury.

Proper Hand Position (Fig. F)

 **WARNING:** To reduce the risk of serious personal injury, ALWAYS use proper hand position as shown.

 **WARNING:** To reduce the risk of serious personal injury, ALWAYS hold securely in anticipation of a sudden reaction.



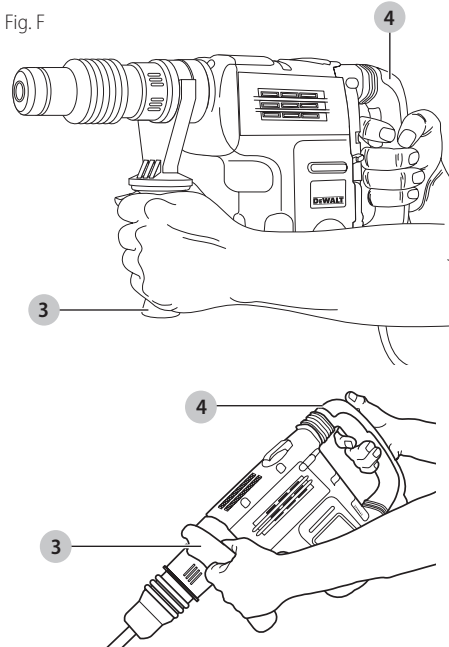
Proper hand position requires one hand on the side handle , with the other hand on the main handle .


Fig. F




NOTE: Operating temperature of this tool is 19°F to 104°F (-7°C to +40°C). Using the tool outside of this temperature range will decrease the life of the tool.

Trigger Switch (Fig. A)

D25501, D25553, D25601, D25603, D25651

To turn the tool on, depress the trigger switch . To stop the tool, release the trigger switch.

In chipping mode only, lock the trigger switch on by pushing the lock-on slider  upward while depressing the trigger switch.

To deactivate the lock-on slider, depress the trigger switch once then release.

The lock-on slider may only be activated in chipping mode. The machine will stop running when trying to engage the lock-on slider in hammerdrilling mode. The motor will stop

ENGLISH

if the lock-on slider is activated when changing from chisel mode into hammerdrilling mode.

D25831, D25851

For continuous operation, move the toggle switch ① to the on position. To stop continuous operation, move the toggle switch to the off position.

Soft Start Feature

The soft start feature allows you to build up speed slowly, thus preventing the drill bit from walking off the intended hole position when starting. The soft start feature also reduces the immediate torque reaction transmitted to the gearing and the operator if the hammer is started with the drill bit in an existing hole.

Hammerdrilling with a Solid Bit (Fig. A, E)

D25501, D25553, D25601, D25603, D25651

NOTE: The D25831 and D25851 have only chipping modes with no hammerdrilling capability.

1. Set the mode selector ⑥ to hammerdrilling mode.
2. For D25603 and D25651 only, move the torque control lever ⑧ to Setting 1 ⑭.
3. Set the speed and impact control dial ⑦.
4. Insert the appropriate drill bit.
5. Adjust the side handle (front or rear position) ③.
6. Mark the spot where the hole is to be drilled.
7. Place the drill bit on that mark and depress the trigger switch ①.
8. Apply only enough pressure to engage active vibration control (refer to **SHOCKS Active Vibration Control® System**).
9. To stop the tool, release the trigger switch.
Always turn the tool off when work is finished and before unplugging.

Hammerdrilling with a Core Bit (Fig. A, E)

D25501, D25553, D25601, D25603, D25651

CAUTION: Do not use a core bit for hammerdrilling wood. Personal injury and damage to tool may result.

NOTE: The D25831, D25851 have only chipping modes with no hammerdrilling capability.

1. Set the mode selector ⑥ to hammerdrilling mode.
2. For D25603 and D25651 only, move the torque control lever ⑧ to Setting 2 ⑮.
3. Turn the speed and impact control dial ⑦ to the desired speed.
4. Adjust the side handle (front or rear position) ③.
5. Assemble the centering bit and adapter shank into core bit.
6. Mark the spot where the hole is to be drilled.
7. Place the centering bit on that mark and depress the trigger switch ①.

NOTE: Some core drills require the removal of centering

bit after about 1 cm of penetration. If so, remove and continue hammerdrilling.

8. When hammerdrilling through a structure thicker than the depth of the core bit, break away the round cylinder of concrete or core inside the bit at regular intervals. To avoid unwanted breaking away of concrete around the hole, first drill a hole the diameter of the centering bit completely through the structure. Then drill the cored hole halfway from each side of the structure.
9. To stop the tool, release the trigger switch.
Always turn the tool off when work is finished and before unplugging.

Chipping and Chiseling (Fig. A)

D25831, D25851

1. Set the mode selector ⑥ to chipping mode.
2. Set the impact control dial ⑦ to desired setting (refer to **Electronic Speed and Impact Control**).
3. Insert the appropriate chisel and rotate it by hand to lock it into the desired position.
NOTE: For SDS Max models, only use SDS Max bits.
4. Adjust the side handle (front or rear position) ③.
5. Depress the trigger switch ①.
6. Apply only enough pressure to engage active vibration control (refer to **SHOCKS Active Vibration Control® System**).
7. To stop the tool, release the trigger switch.
Always turn the tool off when work is finished and before unplugging.

MAINTENANCE

WARNING: To reduce the risk of serious personal injury, turn unit off and disconnect it from power source before making any adjustments or removing/installing attachments or accessories. An accidental start-up can cause injury.

Cleaning

WARNING: Blow dirt and dust out of all air vents with clean, dry air at least once a week. To minimize the risk of eye injury, always wear ANSI Z87.1 approved eye protection when performing this.

WARNING: Never use solvents or other harsh chemicals for cleaning the non-metallic parts of the tool. These chemicals may weaken the plastic materials used in these parts. Use a cloth dampened only with water and mild soap. Never let any liquid get inside the tool; never immerse any part of the tool into a liquid.

Lubrication

Your tool was properly lubricated before leaving the factory. In from two to six months, depending upon use, take or send your tool to an authorized service center for a complete cleaning, inspection and lubrication. Tools used constantly on production jobs will need relubrication more often. Also, tools "out of service" for long periods should be relubricated before being put back to work.

Accessories



WARNING: *Since accessories, other than those offered by DeWALT, have not been tested with this product, use of such accessories with this tool could be hazardous. To reduce the risk of injury, only DeWALT recommended accessories should be used with this product.*

Recommended accessories for use with your tool are available at extra cost from your local dealer or authorized service center. If you need assistance in locating any accessory, please contact DeWALT Industrial Tool Co., 701 East Joppa Road, Towson, MD 21286, call 1-800-4-DeWALT (1-800-433-9258) or visit our website: www.dewalt.com.

MAXIMUM CAPACITY

	D25501 D25553	D2560 D25603	D25651	D25831	D25851
Concrete	1–9/16" (40 mm)	1–3/4" (45 mm)	1–3/4" (45 mm)	–	–
RPM	490	415	415	–	–
No load BPM	3300	2840	2840	1430– 2840	1430– 2840

Repairs



WARNING: *To assure product SAFETY and RELIABILITY, repairs, maintenance and adjustment (including brush inspection and replacement, when applicable) should be performed by a DeWALT factory service center or a DeWALT authorized service center. Always use identical replacement parts.*

Register Online

Thank you for your purchase. Register your product now for:

- **WARRANTY SERVICE:** Registering your product will help you obtain more efficient warranty service in case there is a problem with your product.
- **CONFIRMATION OF OWNERSHIP:** In case of an insurance loss, such as fire, flood or theft, your registration of ownership will serve as your proof of purchase.
- **FOR YOUR SAFETY:** Registering your product will allow us to contact you in the unlikely event a safety notification is required under the Federal Consumer Safety Act.

Register online at www.dewalt.com/register.

Three Year Limited Warranty

DeWALT will repair, without charge, any defects due to faulty materials or workmanship for three years from the date of purchase. This warranty does not cover part failure due to normal wear or tool abuse. For further detail of warranty coverage and warranty repair information, visit www.dewalt.com or call 1-800-4-DeWALT (1-800-433-9258). This warranty does not apply to accessories or damage caused where repairs have been made or attempted by others. This warranty gives you specific legal rights and you may have other rights which vary in certain states or provinces.

In addition to the warranty, DeWALT tools are covered by our:

1 YEAR FREE SERVICE

DeWALT will maintain the tool and replace worn parts caused by normal use, for free, any time during the first year after purchase.

90 DAY MONEY BACK GUARANTEE

If you are not completely satisfied with the performance of your DeWALT Power Tool, Laser, or Nailer for any reason, you can return it within 90 days from the date of purchase with a receipt for a full refund – no questions asked.

LATIN AMERICA: This warranty does not apply to products sold in Latin America. For products sold in Latin America, see country specific warranty information contained in the packaging, call the local company or see website for warranty information.

FREE WARNING LABEL REPLACEMENT: If your warning labels become illegible or are missing, call 1-800-4-DeWALT (1-800-433-9258) for a free replacement.

Définitions : symboles et termes d'alarmes sécurité

Ces guides d'utilisation utilisent les symboles et termes d'alarmes sécurité suivants pour vous prévenir de situations dangereuses et de risques de dommages corporels ou matériels.



DANGER : indique une situation dangereuse imminente qui, si elle n'est pas évitée, **entraînera la mort ou des blessures graves**.



AVERTISSEMENT : indique une situation potentiellement dangereuse qui, si elle n'est pas évitée, **pourrait entraîner la mort ou des blessures graves**.



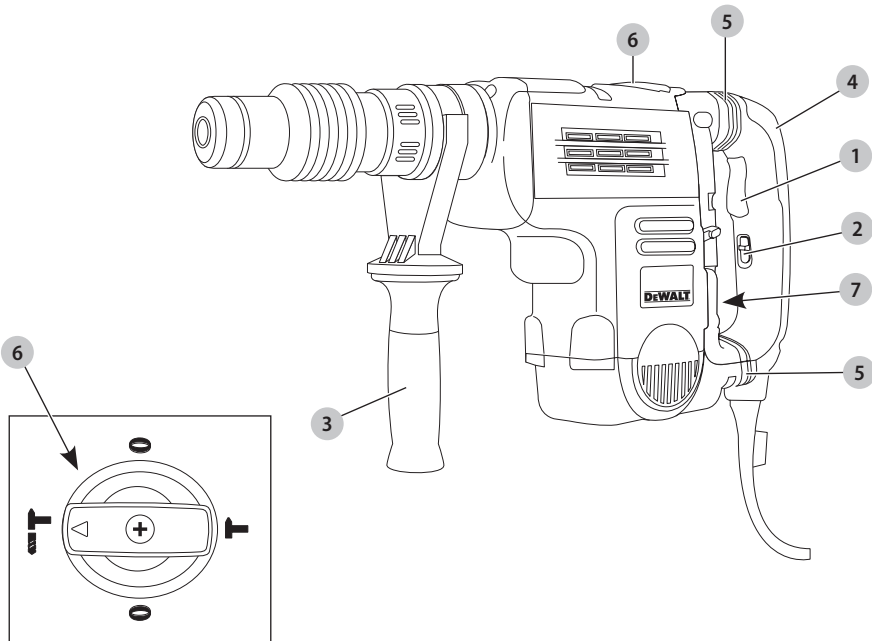
ATTENTION : indique une situation potentiellement dangereuse qui, si elle n'est pas évitée, **pourrait entraîner des blessures légères ou modérées**.



(Si utilisé sans aucun terme) Indique un message propre à la sécurité.

AVIS : indique une pratique ne posant **aucun risque de dommages corporels** mais qui par contre, si rien n'est fait pour l'éviter, **pourrait poser des risques de dommages matériels**.

Fig. A



- 1 Gâchette (D25501, D25553, D25601, D25603, D25651)
l'interrupteur à bascule (D25831, D25851)
- 2 Glissière de verrouillage (D25501, D25553, D25601,
D25603, D25651)
- 3 Poignée latérale
- 4 Poignée principale
- 5 Système d'amortissement des vibrations ANTICHOCS®
(D25651, D25601, D25603, D25831, D25851)
- 6 Sélecteur de mode
- 7 Régulateur électronique de vitesse et d'impact



AVERTISSEMENT! lire tous les avertissements de sécurité et toutes les directives. Le non-respect des avertissements et des directives pourrait se solder par un choc électrique, un incendie et/ou une blessure grave.



AVERTISSEMENT : afin de réduire le risque de blessures, lire le mode d'emploi de l'outil.

Pour toute question ou remarque au sujet de cet outil ou de tout autre outil DeWALT, composez le numéro sans frais : 1-800-4-DeWALT (1-800-433-9258).

AVERTISSEMENTS DE SÉCURITÉ GÉNÉRAUX POUR LES OUTILS ÉLECTRIQUES



AVERTISSEMENT! lire tous les avertissements de sécurité et toutes les directives. Le non-respect des avertissements et des directives pourrait se solder par un choc électrique, un incendie et/ou une blessure grave.

CONSERVER TOUS LES AVERTISSEMENTS ET TOUTES LES DIRECTIVES POUR UN USAGE ULTÉRIEUR

Le terme « outil électrique » cité dans les avertissements se rapporte à votre outil électrique à alimentation sur secteur (avec fil) ou par piles (sans fil).

1) Sécurité du lieu de travail

- Tenir l'aire de travail propre et bien éclairée.** Les lieux encombrés ou sombres sont propices aux accidents.
- Ne pas faire fonctionner d'outils électriques dans un milieu déflagrant, tel qu'en présence de liquides, de gaz ou de poussières inflammables.** Les outils électriques produisent des étincelles qui pourraient enflammer la poussière ou les vapeurs.
- Éloigner les enfants et les personnes à proximité pendant l'utilisation d'un outil électrique.** Une distraction pourrait en faire perdre la maîtrise à l'utilisateur.

2) Sécurité en matière d'électricité

- Les fiches des outils électriques doivent correspondre à la prise. Ne jamais modifier la fiche d'aucune façon. Ne jamais utiliser de fiche d'adaptation avec un outil électrique mis à la terre.** Le risque de choc électrique sera réduit par l'utilisation de fiches non modifiées correspondant à la prise.
- Éviter tout contact physique avec des surfaces mises à la terre comme des tuyaux, des radiateurs, des cuisinières et des réfrigérateurs.** Le risque de choc électrique est plus élevé si votre corps est mis à la terre.
- Ne pas exposer les outils électriques à la pluie ou à l'humidité.** La pénétration de l'eau dans un outil électrique augmente le risque de choc électrique.
- Ne pas utiliser le cordon de façon abusive. Ne jamais utiliser le cordon pour transporter, tirer ou débrancher un outil électrique. Tenir le cordon éloigné de la chaleur, de l'huile, des bords tranchants et des pièces mobiles.** Les cordons endommagés ou enchevêtrés augmentent les risques de choc électrique.
- Pour l'utilisation d'un outil électrique à l'extérieur, se servir d'une rallonge convenant à cette application.** L'utilisation d'une rallonge conçue pour l'extérieur réduira les risques de choc électrique.

- S'il est impossible d'éviter l'utilisation d'un outil électrique dans un endroit humide, brancher l'outil dans une prise ou sur un circuit d'alimentation dotés d'un disjoncteur de fuite à la terre (GFCI).** L'utilisation de ce type de disjoncteur réduit les risques de choc électrique.

3) Sécurité personnelle

- Être vigilant, surveiller le travail effectué et faire preuve de jugement lorsqu'un outil électrique est utilisé. Ne pas utiliser d'outil électrique en cas de fatigue ou sous l'influence de drogues, d'alcool ou de médicaments.** Un simple moment d'inattention en utilisant un outil électrique peut entraîner des blessures corporelles graves.
- Utiliser des équipements de protection individuelle. Toujours porter une protection oculaire.** L'utilisation d'équipements de protection comme un masque antipoussière, des chaussures antidérapantes, un casque de sécurité ou des protecteurs auditifs lorsque la situation le requiert réduira les risques de blessures corporelles.
- Empêcher les démarrages intempestifs. S'assurer que l'interrupteur se trouve à la position d'arrêt avant de relier l'outil à une source d'alimentation et/ou d'insérer un bloc-piles, de ramasser ou de transporter l'outil.** Transporter un outil électrique alors que le doigt repose sur l'interrupteur ou brancher un outil électrique dont l'interrupteur est à la position de marche risque de provoquer un accident.
- Retirer toute clé de réglage ou clé avant de démarrer l'outil.** Une clé ou une clé de réglage attachée à une partie pivotante de l'outil électrique peut provoquer des blessures corporelles.
- Ne pas trop tendre les bras. Conserver son équilibre en tout temps.** Cela permet de mieux maîtriser l'outil électrique dans les situations imprévues.
- S'habiller de manière appropriée. Ne pas porter de vêtements amples ni de bijoux. Garder les cheveux, les vêtements et les gants à l'écart des pièces mobiles.** Les vêtements amples, les bijoux ou les cheveux longs risquent de rester coincés dans les pièces mobiles.
- Si des composants sont fournis pour le raccordement de dispositifs de dépeussierage et de ramassage, s'assurer que ceux-ci sont bien raccordés et utilisés.** L'utilisation d'un dispositif de dépeussierage peut réduire les dangers engendrés par les poussières.

4) Utilisation et entretien d'un outil électrique

- Ne pas forcer un outil électrique. Utiliser l'outil électrique approprié à l'application.** L'outil électrique approprié effectuera un meilleur travail, de façon plus sûre et à la vitesse pour laquelle il a été conçu.

FRANÇAIS

- b) **Ne pas utiliser un outil électrique dont l'interrupteur est défectueux.** Tout outil électrique dont l'interrupteur est défectueux est dangereux et doit être réparé.
- c) **Débrancher la fiche de la source d'alimentation et/ou du bloc-piles de l'outil électrique avant de faire tout réglage ou changement d'accessoire ou avant de ranger l'outil.** Ces mesures préventives réduisent les risques de démarrage accidentel de l'outil électrique.
- d) **Ranger les outils électriques hors de la portée des enfants et ne permettre à aucune personne n'étant pas familière avec un outil électrique ou son mode d'emploi d'utiliser cet outil.** Les outils électriques deviennent dangereux entre les mains d'utilisateurs inexpérimentés.
- e) **Entretien des outils électriques. Vérifier si les pièces mobiles sont mal alignées ou coincées, si des pièces sont brisées ou présentent toute autre condition susceptible de nuire au bon fonctionnement de l'outil électrique. En cas de dommage, faire réparer l'outil électrique avant toute nouvelle utilisation.** Beaucoup d'accidents sont causés par des outils électriques mal entretenus.
- f) **S'assurer que les outils de coupe sont aiguisés et propres.** Les outils de coupe bien entretenus et affûtés sont moins susceptibles de se coincer et sont plus faciles à maîtriser.
- g) **Utiliser l'outil électrique, les accessoires, les forets, etc. conformément aux présentes directives en tenant compte des conditions de travail et du travail à effectuer.** L'utilisation d'un outil électrique pour toute opération autre que celle pour laquelle il a été conçu est dangereuse.

5) Réparation

- a) **Faire réparer l'outil électrique par un réparateur professionnel en n'utilisant que des pièces de rechange identiques.** Cela permettra de maintenir une utilisation sécuritaire de l'outil électrique.

Consignes de sécurité additionnelles propres aux marteaux rotatifs

- **Porter un dispositif de protection auditif.** Le bruit en résultant pourrait occasionner une perte de l'acuité auditive.
- **Utiliser la/les poignée(s) auxiliaire(s) si fournie(s) avec l'outil.** Une perte de contrôle de l'outil pourrait occasionner des dommages corporels.
- **Tenir l'outil par les surfaces isolées prévues à cet effet pendant toute utilisation où l'organe de coupe pourrait entrer en contact avec des fils électriques cachés ou son propre cordon.** Tout contact de l'organe de coupe avec un fil sous tension mettra les parties métalliques exposées de l'outil sous tension et électrocutera l'utilisateur.
- **Utiliser des serre-joints, ou tout autre moyen, pour fixer et immobiliser le matériau sur une surface**

stable. Tenir la pièce à la main ou contre son corps offre une stabilité insuffisante qui pourrait vous en faire perdre le contrôle.

- **Porter des lunettes de protection ou toute autre protection oculaire.** Le martelage pourrait faire voltiger des éclats. Ces particules volantes pourraient occasionner des dommages oculaires permanents. Porter un masque anti-poussières ou un appareil de protection des voies respiratoires pour toute application productrice de poussières. Une protection auditive peut s'avérer nécessaire pour la plupart des applications.
- **Maintenir systématiquement l'outil fermement. Ne pas tenter d'utiliser cet outil sans le maintenir à deux mains.** Le fait d'utiliser cet outil à une main pourra vous en faire perdre le contrôle. Traverser ou rencontrer des matériaux durs comme les armatures peut aussi s'avérer dangereux. Resserrer soigneusement la poignée latérale avant toute utilisation.
- **Ne pas utiliser cet outil pendant des périodes de temps prolongées.** Les vibrations causées par la percussion peuvent poser des risques pour les mains ou les bras. Porter des gants pour amortir les vibrations, et pour limiter les risques, faire des pauses fréquentes.
- **Ne pas remettre à neuf les forets soi-même.** La remise à neuf de tout burin doit être effectuée par un spécialiste agréé. Tout burin remis à neuf incorrectement pose des risques de dommages corporels.
- **Porter des gants lors de l'utilisation de l'outil ou le changement de mèche.** Les parties métalliques accessibles de l'outil et des mèches/forets pourraient s'avérer brûlantes lors de l'utilisation. De petits débris de matériau pourraient aussi blesser les mains nues.
- **Attendre systématiquement l'arrêt complet de la mèche/foret avant de déposer l'outil où que ce soit.** Des forets/mèches en rotation posent des risques de dommages corporels.
- **Ne pas donner des coups de marteau sur des forets/ mèches coincés pour les déloger.** Des fragments de métal ou de matériau pourraient être éjectés et causer des dommages corporels.
- **Maintenir le cordon d'alimentation à l'écart d'une mèche en rotation. Ne pas enrouler le cordon autour d'une partie quelconque de votre corps.** Un cordon électrique enroulé autour d'une mèche en rotation pose des risques de dommages corporels et de perdre le contrôle de l'outil.
- **Prendre des précautions à proximité des événements, car ils cachent des pièces mobiles.** Vêtements amples, bijoux ou cheveux longs risquent de rester coincés dans ces pièces mobiles.

Consigne de sécurité supplémentaire



AVERTISSEMENT : porter **SYSTEMATIQUÉMENT** des lunettes de protection. Les lunettes courantes **NE** sont **PAS** des lunettes de protection. Utiliser aussi un masque antipoussières si la découpe doit en produire beaucoup. **PORTER SYSTEMATIQUÉMENT UN ÉQUIPEMENT DE SÉCURITÉ HOMOLOGUÉ :**

- Protection oculaire ANSI Z87.1 (CAN/CSA Z94.3) ;
- Protection auditive ANSI S12.6 (S3.19) ;
- Protection des voies respiratoires NIOSH/OSHA/MSHA.



AVERTISSEMENT : les scies, meules, ponceuses, perceuses ou autres outils de construction peuvent produire des poussières contenant des produits chimiques reconnus par l'État californien pour causer cancers, malformations congénitales ou être nocifs au système reproducteur. Parmi ces produits chimiques, on retrouve :

- Le plomb dans les peintures à base de plomb ;
- La silice cristallisée dans les briques et le ciment, ou autres produits de maçonnerie ; et
- L'arsenic et le chrome dans le bois ayant subi un traitement chimique.

Le risque associé à de telles expositions varie selon la fréquence à laquelle on effectue ces travaux. Pour réduire toute exposition à ces produits : travailler dans un endroit bien aéré, en utilisant du matériel de sécurité homologué, tel un masque antipoussières spécialement conçu pour filtrer les particules microscopiques.

- **Limitier toute exposition prolongée avec les poussières provenant du ponçage, sciage, meulage, perçage ou toute activité de construction. Porter des vêtements de protection et nettoyer à l'eau savonneuse les parties du corps exposées.** Le fait de laisser la poussière pénétrer dans la bouche, les yeux ou la peau peut favoriser l'absorption de produits chimiques dangereux.



AVERTISSEMENT : cet outil peut produire et/ou répandre de la poussière susceptible de causer des dommages sérieux et permanents au système respiratoire. Utiliser systématiquement un appareil de protection des voies respiratoires homologué par le NIOSH ou l'OSHA. Diriger les particules dans le sens opposé au visage et au corps.



AVERTISSEMENT : pendant l'utilisation, porter systématiquement une protection auditive individuelle adéquate homologuée ANSI S12.6 (S3.19). Sous certaines conditions et suivant la durée d'utilisation, le bruit émanant de ce produit pourrait contribuer à une perte de l'acuité auditive.



ATTENTION : après utilisation, ranger l'outil sur son côté, sur une surface stable, là où il ne pourra ni faire trébucher ni faire chuter quelqu'un.

- **Prendre des précautions à proximité des événements, car ils cachent des pièces mobiles.** Vêtements amples, bijoux ou cheveux longs risquent de rester coincés dans ces pièces mobiles.
- **Pour la sécurité de l'utilisateur, utiliser une rallonge de calibre adéquat (AWG, American Wire Gauge [calibrage américain normalisé des fils électriques]).** Plus le calibre est petit, et plus sa capacité est grande. Un calibre 16, par exemple, a une capacité supérieure à un calibre 18. L'usage d'une rallonge de calibre insuffisant causera une chute de tension qui entraînera perte de puissance et surchauffe. Si plus d'une rallonge est utilisée

pour obtenir une certaine longueur, s'assurer que chaque rallonge présente au moins le calibre de fil minimum. Le tableau ci-dessous illustre les calibres à utiliser selon la longueur de rallonge et l'intensité nominale indiquée sur la plaque signalétique. En cas de doute, utiliser le calibre suivant. Plus le calibre est petit, plus la rallonge peut supporter de courant.

Calibre minimum pour les cordons d'alimentation

Volts		Longueur totale du cordon d'alimentation en mètre (pieds)			
120 V	7,6 (25)	15,2 (50)	30,5 (100)	45,7 (150)	
240 V	15,2 (50)	30,5 (100)	61,0 (200)	91,4 (300)	
Ampères		AWG			
Plus que	Pas plus que				
0	6	18	16	16	14
6	10	18	16	14	12
10	12	16	16	14	12
12	16	14	12	Non recommandé	

L'étiquette apposée sur votre outil peut inclure les symboles suivants. Les symboles et leur définition sont indiqués ci-après :

V	volts		or AC.....	courant alternatif
Hz	hertz		or AC/DC....	courant alternatif ou continu
min	minutes		fabrication classe II (double isolation)
	or DC.....	courant continu	
	fabrication classe I (mis à la terre)	n_0	vitesse à vide
... /min.....	par minute	n	vitesse nominale	
BPM	batttements par minute		borne de terre
IPM	impacts par minute		symbole d'avertissement
RPM	revolutions per minute		radiation visible
sfpm	pieds linéaires par minute (plpm)		protection respiratoire
SPM (FPM)	fréquence par minute		protection oculaire
A	ampères		protection auditive
W	watts		lire toute la documentation

CONSERVER CES CONSIGNES POUR UTILISATION ULTÉRIEURE

Moteur

S'assurer que le bloc d'alimentation est compatible avec l'inscription de la plaque signalétique. Une diminution de tension de plus de 10 % provoquera une perte de puissance et une surchauffe. Les outils DeWALT sont testés en usine ; si cet outil ne fonctionne pas, vérifier l'alimentation électrique.

DESCRIPTION (FIG. A)

⚠ AVERTISSEMENT : ne jamais modifier l'outil électrique ni aucun de ses composants, car il y a des risques de dommages corporels ou matériels.

Reportez-vous en figure A au début de ce manuel pour obtenir la liste complète des composants.

USAGE PRÉVU

Ces marteaux rotatifs industriels ont été conçus pour le martelage-perforage et le burinage professionnels sur des chantiers divers (ex. : chantiers de construction). **NE PAS** les utiliser en milieu ambiant humide ou en présence de liquides ou de gaz inflammables.

NE PAS les utiliser en milieu ambiant humide ou en présence de liquides ou de gaz inflammables.

Ces marteaux rotatifs industriels sont des outils de professionnels.

NE PAS le laisser à la portée des enfants. Une supervision est nécessaire auprès de tout utilisateur non expérimenté.

ASSEMBLAGE ET AJUSTEMENTS

⚠ AVERTISSEMENT : pour réduire le risque de blessures graves, éteindre l'outil et retirer le débrancher avant d'effectuer tout réglage et d'enlever ou d'installer tout accessoire. Un démarrage accidentel peut provoquer des blessures.

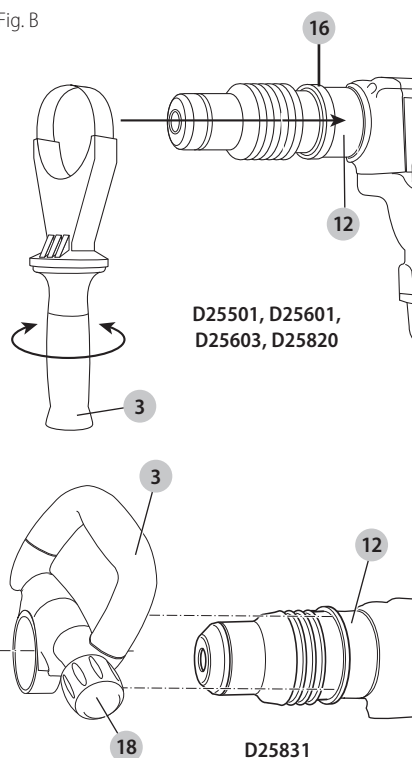
Poignée latérale (Fig. B)

⚠ AVERTISSEMENT : pour réduire tout risque de dommages corporels, utiliser **SYSTÉMATIQUEMENT** l'outil avec sa poignée latérale installée correctement et solidement arrimée. Tout manquement à cette directive pourrait faire que la poignée latérale glisse pendant l'utilisation de l'outil et entraîner la perte du contrôle de celui-ci. Maintenir l'outil fermement à deux mains pour un contrôle optimal.

La poignée latérale **3** se fixe sur l'avant du carter d'engrenage **12** et elle peut être pivotée à 360° pour permettre l'utilisation de la main droite ou de la gauche. La poignée latérale doit être suffisamment serrée afin de résister à la torsion de l'outil si l'embout se coince ou se dérobe. Assurez-vous de saisir la poignée latérale au plus loin pour pouvoir garder le contrôle de l'outil en cas de calage.

Pour desserrer la poignée latérale, tournez dans le sens inverse des aiguilles d'une montre.

Fig. B



Système d'amortissement des vibrations ANTICHOCS® (Fig. A, F)

D25651, D25601, D25603, D25831, D25851

Pour optimiser le contrôle des vibrations, maintenez l'outil une main sur la poignée principale **4** et l'autre sur la poignée latérale **3**. Appliquez juste assez de pression sur le marteau de façon à ce que le dispositif amortisseur de la poignée principale tourne à mi-régime. Seule une quantité limitée de pression sur le marteau est nécessaire pour activer le système d'amortissement. Appliquer une pression excessive sur l'outil ne le fera ni percer ni buriner plus rapidement et préviendra l'activation du système d'amortissement.

Installation et retrait d'accessoires à douille de cannelures (Fig. C)

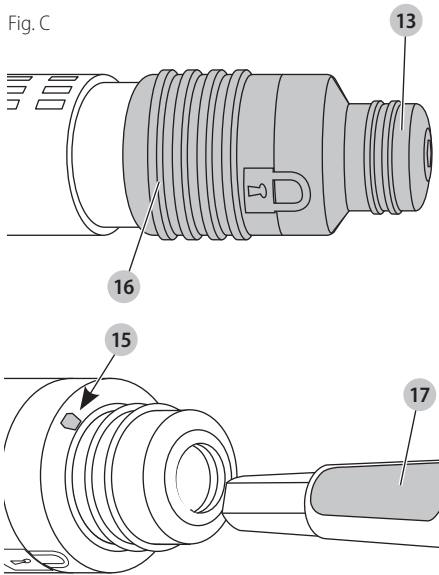
D25553, D25651, D25851

⚠ AVERTISSEMENT : risques de brûlure. Utiliser **SYSTÉMATIQUEMENT** des gants pour changer mèche ou foret. Les parties métalliques accessibles de l'outil et des mèches/forets pourraient s'avérer brûlantes lors de l'utilisation. De petits débris de matériau pourraient aussi blesser les mains nues.

⚠ AVERTISSEMENT : ne pas essayer de resserrer ou desserrer les mèches (ou tout autre accessoire) en agrippant la partie avant du mandrin tout en mettant l'outil en marche. Cela pourrait endommager le mandrin et poser des risques de dommages corporels.

1. Insérez la tige de mèche dans le porte-outil **13** aussi loin que possible. La rainure sur la tige du burin **17** doit s'aligner sur le symbole **15** sur le porte-outil. S'il est inséré correctement, le manchon de verrouillage **16** retournera sur sa position extrême et affichera un symbole de verrou fermé.
2. Tirez sur la mèche pour vous assurer qu'elle est correctement verrouillée.
3. Si la rainure du burin n'est pas alignée sur le symbole, ou s'il n'est pas inséré à fond, le symbole du verrou restera ouvert.
4. Pour retirer la mèche, tirez le manchon de verrouillage vers l'arrière et sortez la mèche.

Fig. C

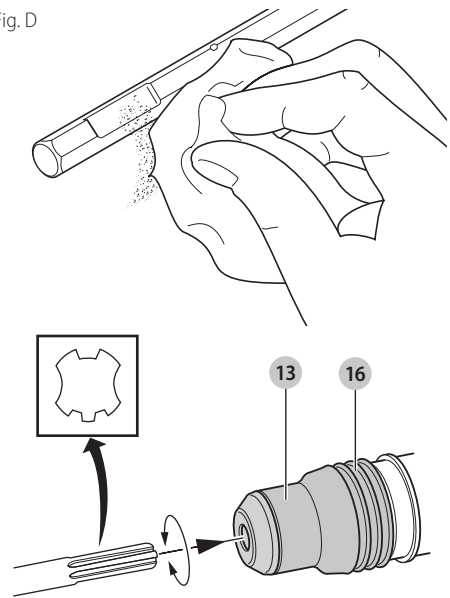


Installation et retrait des accessoires SDS Max (Fig. D)

D25501, D25601, D25603, D25831

1. Tirez vers l'arrière le manchon de verrouillage **16** et insérez une tige de mèche. La tige de mèche doit être propre.
2. Tournez la mèche légèrement jusqu'à ce que le manchon s'enclenche en position.
3. Assurez-vous que la mèche est correctement arrimée.
REMARQUE: la mèche doit pouvoir bouger de quelques centimètres, vers l'avant ou l'arrière, dans le porte-outil **13** pour être correctement installée.
4. Pour retirer la mèche, tirez le manchon de verrouillage vers l'arrière et sortez la mèche.

Fig. D



Embrayage à deux temps/E-Clutch™ (Fig. E)

AVIS : arrêter systématiquement l'outil avant de changer les paramètres de couples pour éviter d'endommager l'outil.

Embrayage à deux temps

D25603, D25651

Le réglage de couple 1 **14** a été conçu pour la plupart des applications de martelage-perforage et pour débrayer facilement lorsque la mèche rencontrera une armature ou tout autre matériel étranger.

Le réglage de couple 2 **11** a été prévu pour des applications nécessitant un couple élevé comme le perçage à percussion avec trépan carottiers ou mèches demi-rondes et conçu pour débrayer à un seuil plus élevé de couple.

Déplacez le levier du régulateur de couple **8** sur les réglages d'embrayage 1 ou 2 en fonction de l'application.

REMARQUE : laisser le boîtier du moteur tourner un peu avant de changer le couple.

REMARQUE : en cas d'impossibilité de sélectionner le réglage d'embrayage 2, faire tourner l'appareil sous charge puis réessayer.

Chaque fois que l'outil sera branché, il retournera automatiquement par défaut sur le réglage d'embrayage 1, le réglage le plus sensible.

E-CLUTCH^{MC}

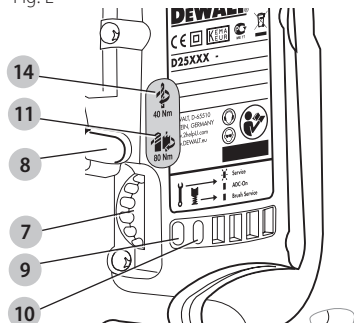
D25603

De plus, l'E-Clutch^{MC} (embrayage) offre à l'utilisateur un surcroît de confort et de sécurité au travers d'une technologie intégrée anti-rotation capable de détecter

FRANÇAIS

si l'utilisateur perd le contrôle de l'outil. En cas de détection de grippage, le couple et la vitesse sont réduits instantanément. Le voyant rouge DEL 9 s'allume lorsque l'E-ClutchMC est enclenché.

Fig. E



Régulateur électronique de vitesse et d'impact (Fig. E)

D25651, D25601, D25603, D25831, D25851

Le régulateur électronique de vitesse et d'impact permet l'utilisation de mèches plus petites sans risquer de les briser, le perçage à percussion de matériaux légers ou fragiles sans les faire éclater, et l'optimisation du contrôle de l'outil pour le ciselage de précision.

Pour l'ajuster, tournez le régulateur 7 sur le niveau désiré. Plus le chiffre est élevé, plus la vitesse et l'énergie d'impact seront grandes. Les paramètres du régulateur donnent à l'outil une adaptabilité extrême pour se prêter à différentes applications. Le réglage requis dépendra de la taille de la mèche et de la dureté du matériau à percer.

Sélecteur de mode (Fig. A)

AVIS : ne jamais changer de mode alors que l'appareil tourne. Pour prévenir tout dommage matériel, attendre l'arrêt complet de l'outil avant d'activer le bouton sélecteur de mode.

ATTENTION : ne pas passer au mode martelage-perforage avec un foret dans le porte-outil pour prévenir tout risque de dommages corporels ou matériels.

Les modèles D25501, D25553, D25601, D25603 et D25651 possèdent deux modes d'opérations. Pour choisir le mode d'utilisation requis, tournez le sélecteur de mode 6 jusqu'à ce que la flèche pointe sur l'icône martelage-perforage ou burinage. Les modèles D25831 et D25851 ne possèdent que le mode burinage.

Mode martelage-perforage (T)

D25501, D25553, D25601, D25603, D25651

L'outil tourne et percute simultanément la pièce à travailler. Ce mode est approprié pour travailler le béton et la maçonnerie.

Mode burinage (T)

D25831, D25851

Le verrou de la broche est activé en mode burinage de façon à permettre la percussion sans rotation. Ce mode est approprié pour la démolition, le burinage et le ciselage légers.

REMARQUE : en mode burinage, le marteau-perforateur peut aussi être utilisé comme levier pour débloquer une mèche enrayée.

Reglage du foret (O)

D25831, D25851

Tournez le sélecteur de mode sur l'une des icônes de réglage de foret pour l'ajuster sur la position désirée. Le foret peut être réglé sur diverses positions d'angles. Une fois la position désirée choisie, déplacez légèrement d'avant en arrière le foret pour vous assurer qu'il est correctement arrimé.

Voyants (Fig. A, E)

Le voyant DEL jaune 10 d'usure des balais s'allumera lorsque les balais de charbon seront presque usés pour indiquer que la maintenance de l'outil devrait être effectuée dans les 8 heures d'utilisation.

Le voyant DEL rouge 9 s'allumera lorsque la glissière de verrouillage 2 et/ou l'embrayage électronique seront activés en tout mode, excepté celui de burinage.

Le voyant DEL rouge 9 clignotera en cas de problème avec l'outil ou si les balais sont complètement usés (se reporter à la section **Réparations** sous **Maintenance**).

VOYANT	DIAGNOSTIC	SOLUTION
ÉTEINT	L'outil fonctionne normalement	Suivre les directives et consignes pendant l'utilisation de l'outil.
CONTINU	Le contrôle performances et sécurité a été activé	En s'assurant que l'outil est correctement maintenu, relâcher la gâchette. L'outil fonctionnera normalement lorsqu'on réappuiera sur la gâchette et le voyant s'éteindra.
CLIGNOTANT	Dysfonctionnement de contrôle performances et sécurité	Amener l'outil dans un centre de réparation agréé DeWALT.

REMARQUE : si l'alimentation de l'outil est insuffisante pour le fonctionnement normal du marteau, et que le DEL ne clignote pas répétitivement après avoir utilisé la gâchette, amener l'outil dans un centre de réparation agréé DeWALT.

UTILISATION

AVERTISSEMENT : pour réduire le risque de blessures graves, éteindre l'outil et retirer le débrancher avant d'effectuer tout réglage et d'enlever ou d'installer tout accessoire. Un démarrage accidentel peut provoquer des blessures.

AVERTISSEMENT : Pour réduire tout risque de dommages corporels, s'assurer **SYSTÉMATIQUEMENT** que la pièce est ancrée ou arrimée solidement. Pour percer des matériaux fins, utiliser un morceau de bois « de renfort » pour éviter de les endommager.

AVERTISSEMENT : Pour réduire tout risque de dommages corporels, utiliser **SYSTÉMATIQUEMENT** l'outil avec sa poignée latérale installée correctement et solidement arrimée. Tout manquement à cette directive pourrait faire que la poignée latérale glisse pendant l'utilisation de l'outil et entraîner la perte du contrôle de celui-ci. Maintenir l'outil fermement à deux mains pour un contrôle maximum.

AVERTISSEMENT : la perceuse peut caler si on la force et causer une torsion. S'attendre systématiquement à un blocage. Maintenez fermement la perceuse à deux mains pour contrôler toute torsion et éviter tout risque de dommages corporels.

Position correcte des mains (Fig. F)

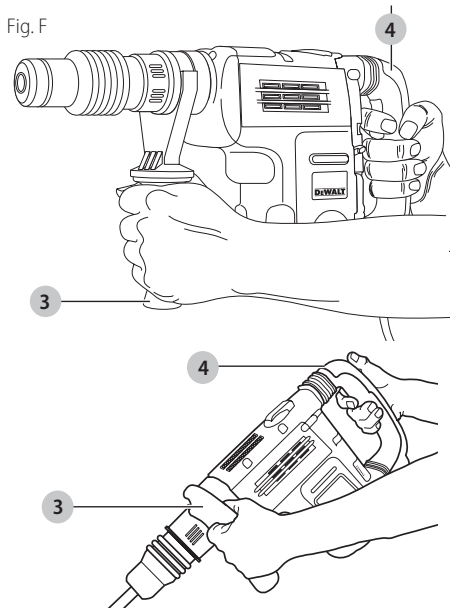
AVERTISSEMENT : pour réduire tout risque de dommages corporels graves, adopter **SYSTÉMATIQUEMENT** la position des mains illustrée.

AVERTISSEMENT : pour réduire tout risque de dommages corporels graves, maintenir **SYSTÉMATIQUEMENT** l'outil fermement pour anticiper toute réaction soudaine.

La position correcte des mains requiert une main sur la poignée latérale **3**, et l'autre sur la poignée principale **4**.

REMARQUE : il est recommandé d'utiliser cet outil à des températures entre -7 ° et +40 °C (19 ° et 104 °F). L'utilisation de cet outil en dehors de ces températures en réduira la durée de vie.

Fig. F



Gâchette (Fig. A)

D25501, D25553, D25601, D25603, D25651

Pour mettre l'outil en marche, appuyez sur la gâchette **1**. Pour arrêter l'outil, relâchez la gâchette.

En mode burinage seulement, verrouillez la gâchette en marche, poussez la glissière de verrouillage **2** vers le haut tout en appuyant sur la gâchette.

Pour désactiver la glissière de verrouillage, réappuyez rapidement une fois sur la gâchette.

La glissière de verrouillage ne peut être activée qu'en mode burinage. L'appareil s'arrêtera de fonctionner si on tente d'activer la glissière de verrouillage en mode martelage-perforage. Le moteur s'arrêtera de tourner si la glissière de verrouillage est activée pour passer du mode ciselage au mode martelage-perforage.

D25831, D25851

Pour un travail continu, mettez l'interrupteur à bascule **1** en position de marche. Pour arrêter le travail continu, mettez l'interrupteur à bascule en position d'arrêt.

Fonction démarrage en douceur

La fonction démarrage en douceur permet d'accroître la vitesse progressivement, pour prévenir que la mèche quitte la position désirée pour le trou au démarrage. La fonction démarrage en douceur réduit aussi la transmission immédiate de retour de couple à l'engrenage et à l'utilisateur si le marteau venait à démarrer alors que la mèche est dans un trou existant.

Martelage à percussion avec un trépan plein (Fig. A, E)

D25501, D25553, D25601, D25603, D25651

REMARQUE: les modèles D25831 et D25851 ne possèdent que le mode burinage et pas de martelage-perforage.

1. Réglez le sélecteur de mode **6** sur le mode martelage-perforage.
2. Pour les modèles D25603 et D25651 seulement, ajustez le levier du régulateur de couple **8** sur le réglage 1 **14**.
3. Réglez le régulateur électronique de vitesse et d'impact **7**.
4. Insérez la mèche appropriée.
5. Ajustez la poignée latérale **3**, (position arrière ou avant).
6. Marquez l'endroit où le trou doit être percé.
7. Placez la mèche sur le tracé et appuyez sur la gâchette **1**.
8. Appliquez seulement une quantité limitée de pression sur le marteau pour activer le système d'amortissement (se reporter à la section **Système d'amortissement des vibrations ANTICHOCS®**).
9. Pour arrêter l'outil, relâchez la gâchette. Mettez systématiquement l'interrupteur en position d'arrêt une fois le travail terminé et avant de débrancher l'outil.

Perçage à percussion avec un trépan carottier (Fig. A, E)

D25501, D25553, D25601, D25603, D25651

ATTENTION: ne pas utiliser un trépan carottier pour le perçage à percussion du bois pour prévenir tout risque de dommages corporels ou matériels.

REMARQUE: les modèles D25831 et D25851 ne possèdent que le mode burinage et pas de martelage-perforage.

1. Réglez le sélecteur de mode **6** sur le mode martelage-perforage.
2. Pour les modèles D25603 et D25651 seulement, ajustez le levier du régulateur de couple **8** sur le réglage 2 **11**.
3. Tournez le régulateur électronique de vitesse et d'impact **7** sur la position de vitesse désirée.
4. Ajustez la poignée latérale **3**, (position arrière ou avant).
5. Installez la mèche de centrage et l'adaptateur de tige sur le trépan carottier.
6. Marquez l'endroit où le trou doit être percé.
7. Placez la mèche de centrage sur le tracé et appuyez sur la gâchette **1**.

REMARQUE: certains trépan carottiers nécessitent le retrait de la mèche de centrage après 1 cm de pénétration. Si c'est le cas, retirez-la puis continuez le perçage à percussion.

8. Pour le perçage à percussion à travers une structure plus épaisse que la longueur du trépan carottier, cassez le cylindre de béton, ou carotte, à l'intérieur du trépan à intervalles réguliers. Pour éviter tout fendillement

indésirable du béton autour du trou, percez tout d'abord un trou du diamètre de la mèche de centrage au travers de la structure. Puis percez le trou moulé de moitié, de chaque côté de la structure.

9. Pour arrêter l'outil, relâchez la gâchette. Mettez systématiquement l'interrupteur en position d'arrêt une fois le travail terminé et avant de débrancher l'outil.

Burinage (Fig. A)

D25831, D25851

1. Réglez le sélecteur de mode **6** sur le mode burinage.
2. Réglez le régulateur électronique d'impact **7** sur le paramètre désiré (se reporter à la section **Régulateur électronique de vitesse et d'impact**).
3. Insérez le burin approprié et faites le tourner manuellement pour le verrouiller sur la position requise.
REMARQUE: pour les modèles SDS Max, utiliser exclusivement des accessoires SDS Max.
4. Ajustez la poignée latérale **3**, (position arrière ou avant).
5. Appuyez sur la gâchette **1**.
6. Appliquez seulement une quantité limitée de pression sur le marteau pour activer le système d'amortissement (se reporter à la section **Système d'amortissement des vibrations ANTICHOCS®**).
7. Pour arrêter l'outil, relâchez la gâchette. Mettez systématiquement l'interrupteur en position d'arrêt une fois le travail terminé et avant de débrancher l'outil.

MAINTENANCE



AVERTISSEMENT : pour réduire le risque de blessures graves, éteindre l'outil et retirer le débrancher avant d'effectuer tout réglage et d'enlever ou d'installer tout accessoire. Un démarrage accidentel peut provoquer des blessures.

Nettoyage



AVERTISSEMENT : enlever les saletés et la poussière hors des événements au moyen d'air comprimé propre et sec, au moins une fois par semaine. Pour minimiser le risque de blessure aux yeux, toujours porter une protection oculaire conforme à la norme ANSI Z87.1 lors du nettoyage.



AVERTISSEMENT : ne jamais utiliser de solvants ni d'autres produits chimiques puissants pour nettoyer les pièces non métalliques de l'outil. Ces produits chimiques peuvent affaiblir les matériaux de plastique utilisés dans ces pièces. Utiliser un chiffon humecté uniquement d'eau et de savon doux. Ne jamais laisser de liquide pénétrer dans l'outil et n'immerger aucune partie de l'outil dans un liquide.

Lubrification

Votre outil a été parfaitement lubrifié avant son départ d'usine. Entre deux à six mois, selon la fréquence d'utilisation, amenez ou envoyez votre outil dans un centre de réparation agréé DeWALT pour entretien, inspection et lubrification complets. Les outils utilisés constamment pour des travaux de production nécessiteront d'être lubrifiés

plus souvent. Les outils inutilisés pendant des périodes prolongées doivent être relubrifiés avant réutilisation.

Accessoires



AVERTISSEMENT : *puisque les accessoires autres que ceux offerts par DeWALT n'ont pas été testés avec ce produit, leur utilisation pourrait s'avérer dangereuse. Pour réduire le risque de blessures, utiliser exclusivement les accessoires DeWALT recommandés avec le présent produit.*

Les accessoires recommandés pour cet outil sont vendus séparément au centre de service de votre région. Pour obtenir de l'aide concernant l'achat d'un accessoire, communiquer avec DeWALT Industrial Tool Co., 701 East Joppa Road, Towson, MD 21286 aux États-Unis; composer le 1 800 433-9258 (1 800 4-DeWALT) ou visiter notre site Web : www.dewalt.com.

CAPACITÉS MAXIMALES RECOMMANDÉES

	D25501 D25553	D25601 D25603	D25651	D25831	D25851
Béton	40 mm (1–9/16 po)	45 mm (1–3/4 po)	45 mm (1–3/4 po)	–	–
R/MIN	490	415	415	–	–
BPM à vide	3300	2840	2840	1430– 2840	1430– 2840

Réparations



AVERTISSEMENT : *pour assurer la SÉCURITÉ et la FIABILITÉ du produit, les réparations, l'entretien et les réglages doivent être réalisés (cela comprend l'inspection et le remplacement du balai, le cas échéant) par un centre de réparation en usine DeWALT ou un centre de réparation agréé DeWALT. Toujours utiliser des pièces de rechange identiques.*

Registre en ligne

Merci pour votre achat. Enregistrez dès maintenant votre produit:

- **RÉPARATIONS SOUS GARANTIE:** cette carte remplit vous permettra de vous prévaloir du service de réparations sous garantie de façon plus efficace dans le cas d'un problème avec le produit.
- **CONFIRMATION DE PROPRIÉTÉ:** en cas de perte provoquée par un incendie, une inondation ou un vol, cette preuve de propriété vous servira de preuve auprès de votre compagnie d'assurances.
- **SÉCURITÉ:** l'enregistrement de votre produit nous permettra de communiquer avec vous dans l'éventualité peu probable de l'envoi d'un avis de sécurité régi par la loi fédérale américaine de la protection des consommateurs.

Registre en ligne à www.dewalt.com/register.

Garantie limitée de trois ans

DeWALT réparera, sans frais, tout produit défectueux causé par un défaut de matériel ou de fabrication pour une période de trois ans à compter de la date d'achat. La présente garantie ne couvre pas les pièces dont la défectuosité a été causée par une usure normale ou l'usage abusif de l'outil. Pour obtenir de plus amples renseignements sur les pièces ou les réparations couvertes par la présente garantie, visiter le site www.dewalt.com ou composer le 1 800 433-9258 (1 800 4-DeWALT). Cette garantie ne s'applique pas aux accessoires et ne vise pas les dommages causés par des réparations effectuées par un tiers. Cette garantie confère des droits légaux particuliers à l'acheteur, mais celui-ci pourrait aussi bénéficier d'autres droits variant d'un état ou d'une province à l'autre. En plus de la présente garantie, les outils DeWALT sont couverts par notre :

CONTRAT D'ENTRETIEN GRATUIT D'UN AN

DeWALT entretiendra l'outil et remplacera les pièces usées au cours d'une utilisation normale et ce, gratuitement, pendant une période d'un an à compter de la date d'achat.

GARANTIE DE REMBOURSEMENT DE 90 JOURS

Si l'acheteur n'est pas entièrement satisfait, pour quelque raison que ce soit, du rendement de l'outil électrique, du laser ou de la cloueuse DeWALT, celui-ci peut le retourner, accompagné d'un reçu, dans les 90 jours à compter de la date d'achat pour obtenir un remboursement intégral, sans aucun problème.

AMÉRIQUE LATINE : cette garantie ne s'applique aux produits vendus en Amérique latine. Pour ceux-ci, veuillez consulter les informations relatives à la garantie spécifique présente dans l'emballage, appeler l'entreprise locale ou consulter le site Web pour les informations relatives à cette garantie.

REMPACEMENT GRATUIT DES ÉTIQUETTES

D'AVERTISSEMENT : si les étiquettes d'avertissement deviennent illisibles ou sont manquantes, composer le 1 800 433-9258 (1 800 4-DeWALT) pour en obtenir le remplacement gratuit.

Definiciones: Símbolos y palabras de alerta de seguridad

Este manual de instrucciones utiliza los siguientes símbolos y palabras de alerta de seguridad para alertarle de situaciones peligrosas y del riesgo de lesiones corporales o daños materiales.

! **PELIGRO:** Indica una situación de peligro inminente que, si no se evita, provocará **la muerte o lesiones graves**.

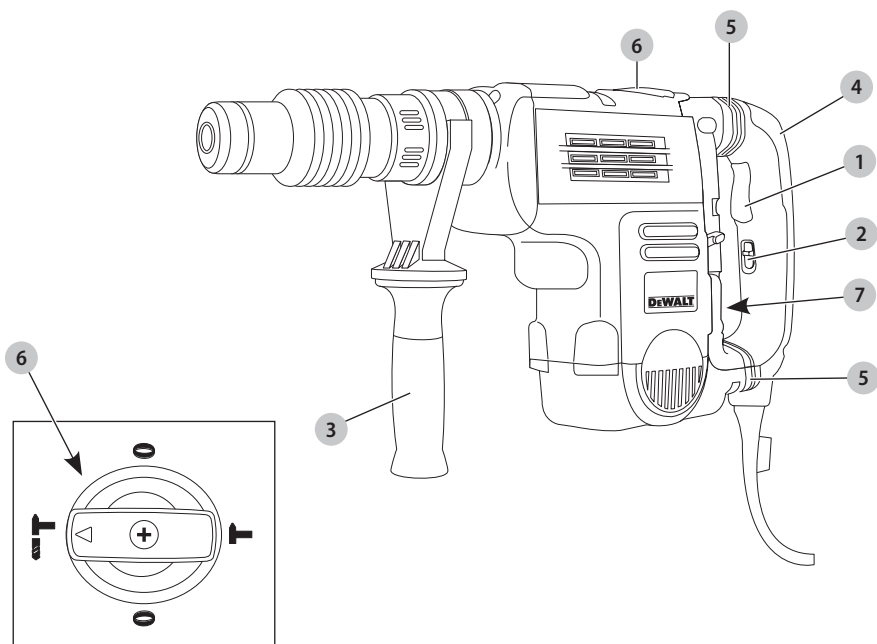
! **ADVERTENCIA:** Indica una situación de peligro potencial que, si no se evita, **podría provocar la muerte o lesiones graves**.

! **ATENCIÓN:** Indica una situación de peligro potencial que, si no se evita, **posiblemente provocaría lesiones leves o moderadas**.

! (Utilizado sin palabras) indica un mensaje de seguridad relacionado.

AVISO: Se refiere a una práctica **no relacionada a lesiones corporales** que de no evitarse **puede resultar en daños a la propiedad**.

Fig. A



- 1 Interruptor de gatillo (D25501, D25553, D25601, D25603, D25651)
Conmutador basculante (D25831, D25851)
- 2 Pieza deslizante de bloqueo (D25501, D25553, D25601, D25603, D25651)
- 3 Mango lateral
- 4 Agarradera principal
- 5 Control activo de vibración SHOCKS* (D25651, D25601, D25603, D25831, D25851)
- 6 Selector de modalidad
- 7 Dial del control electrónico de la velocidad y el impacto

! **¡ADVERTENCIA!** Lea todas las advertencias de seguridad e instrucciones. El incumplimiento de las advertencias e instrucciones puede provocar descargas eléctricas, incendios o lesiones graves.

! **ADVERTENCIA:** Para reducir el riesgo de lesiones, lea el manual de instrucciones.

Si tiene alguna duda o algún comentario sobre ésta u otra herramienta DeWALT, llámenos al número gratuito: 1-800-4-DeWALT (1-800-433-9258).

ADVERTENCIAS GENERALES DE SEGURIDAD PARA HERRAMIENTAS ELÉCTRICAS



¡ADVERTENCIA! Lea todas las advertencias de seguridad e instrucciones. El incumplimiento de las advertencias e instrucciones puede provocar descargas eléctricas, incendios o lesiones graves.

CONSERVE TODAS LAS ADVERTENCIAS E INSTRUCCIONES PARA FUTURAS CONSULTAS

El término "herramienta eléctrica" incluido en las advertencias hace referencia a las herramientas eléctricas operadas con corriente (con cable eléctrico) o a las herramientas eléctricas operadas con baterías (inalámbricas).

1) Seguridad en el Área de Trabajo

- Mantenga el área de trabajo limpia y bien iluminada.** Las áreas abarrotadas y oscuras propician accidentes.
- No opere las herramientas eléctricas en atmósferas explosivas, como ambientes donde haya polvo, gases o líquidos inflamables.** Las herramientas eléctricas originan chispas que pueden encender el polvo o los vapores.
- Mantenga alejados a los niños y a los espectadores de la herramienta eléctrica en funcionamiento.** Las distracciones pueden provocar la pérdida de control.

2) Seguridad Eléctrica

- Los enchufes de la herramienta eléctrica deben adaptarse al tomacorriente. Nunca modifique el enchufe de ninguna manera. No utilice ningún enchufe adaptador con herramientas eléctricas con conexión a tierra.** Los enchufes no modificados y que se adaptan a los tomacorrientes reducirán el riesgo de descarga eléctrica.
- Evite el contacto corporal con superficies con descargas a tierra como, por ejemplo, tuberías, radiadores, cocinas eléctricas y refrigeradores.** Existe mayor riesgo de descarga eléctrica si su cuerpo está puesto a tierra.
- No esponga las herramientas eléctricas a la lluvia o a condiciones de humedad.** Si entra agua a una herramienta eléctrica, aumentará el riesgo de descarga eléctrica.
- No maltrate el cable. Nunca utilice el cable para transportar, tirar o desenchufar la herramienta eléctrica. Mantenga el cable alejado del calor, el aceite, los bordes filosos y las piezas móviles.** Los cables dañados o enredados aumentan el riesgo de descarga eléctrica.
- Al operar una herramienta eléctrica en el exterior, utilice un cable prolongador adecuado para tal uso.** Utilice un cable adecuado para uso en exteriores a fin de reducir el riesgo de descarga eléctrica.
- Si el uso de una herramienta eléctrica en un lugar húmedo es imposible de evitar, utilice**

un suministro protegido con un interruptor de circuito por falla a tierra (GFCI). El uso de un GFCI reduce el riesgo de descargas eléctricas.

3) Seguridad Personal

- Permanezca alerta, controle lo que está haciendo y utilice el sentido común cuando emplee una herramienta eléctrica. No utilice una herramienta eléctrica si está cansado o bajo el efecto de drogas, alcohol o medicamentos.** Un momento de descuido mientras se opera una herramienta eléctrica puede provocar lesiones personales graves.
- Utilice equipos de protección personal. Siempre utilice protección para los ojos.** En las condiciones adecuadas, el uso de equipos de protección, como máscaras para polvo, calzado de seguridad antideslizante, cascos o protección auditiva, reducirá las lesiones personales.
- Evite el encendido por accidente. Asegúrese de que el interruptor esté en la posición de apagado antes de conectarlo a la fuente de energía o paquete de baterías, o antes de levantar o transportar la herramienta.** Transportar herramientas eléctricas con el dedo apoyado en el interruptor o enchufar herramientas eléctricas con el interruptor en la posición de encendido puede propiciar accidentes.
- Retire la clavija de ajuste o la llave de tuercas antes de encender la herramienta eléctrica.** Una llave de tuercas o una clavija de ajuste que quede conectada a una pieza giratoria de la herramienta eléctrica puede provocar lesiones personales.
- No se estire. Conserve el equilibrio y párese adecuadamente en todo momento.** Esto permite un mejor control de la herramienta eléctrica en situaciones inesperadas.
- Use la vestimenta adecuada. No use ropas holgadas ni joyas. Mantenga el cabello, la ropa y los guantes alejados de las piezas en movimiento.** Las ropas holgadas, las joyas o el cabello largo pueden quedar atrapados en las piezas en movimiento.
- Si se suministran dispositivos para la conexión de accesorios con fines de recolección y extracción de polvo, asegúrese de que estén conectados y que se utilicen correctamente.** El uso de dispositivos de recolección de polvo puede reducir los peligros relacionados con el polvo.

4) Uso y Mantenimiento de la Herramienta Eléctrica

- No fuerce la herramienta eléctrica. Utilice la herramienta eléctrica correcta para el trabajo que realizará.** Si se la utiliza a la velocidad para la que fue diseñada, la herramienta eléctrica correcta permite trabajar mejor y de manera más segura.
- No utilice la herramienta eléctrica si no puede encenderla o apagarla con el interruptor.** Toda

herramienta eléctrica que no pueda ser controlada mediante el interruptor es peligrosa y debe repararse.

- c) **Desconecte el enchufe de la fuente de energía o el paquete de baterías de la herramienta eléctrica antes de realizar ajustes, cambiar accesorios o almacenar la herramienta eléctrica.** Estas medidas de seguridad preventivas reducen el riesgo de encender la herramienta eléctrica en forma accidental.
- d) **Guarde la herramienta eléctrica que no esté en uso fuera del alcance de los niños y no permita que otras personas no familiarizadas con ella o con estas instrucciones operen la herramienta.** Las herramientas eléctricas son peligrosas si son operadas por usuarios no capacitados.
- e) **Realice el mantenimiento de las herramientas eléctricas. Revise que no haya piezas en movimiento mal alineadas o trabadas, piezas rotas o cualquier otra situación que pueda afectar el funcionamiento de la herramienta eléctrica. Si encuentra daños, haga reparar la herramienta eléctrica antes de utilizarla.** Se producen muchos accidentes a causa de las herramientas eléctricas que carecen de un mantenimiento adecuado.
- f) **Mantenga las herramientas de corte afiladas y limpias.** Las herramientas de corte con mantenimiento adecuado y con los bordes de corte afilados son menos propensas a trabarse y son más fáciles de controlar.
- g) **Utilice la herramienta eléctrica, los accesorios y las brocas de la herramienta, etc. de acuerdo con estas instrucciones y teniendo en cuenta las condiciones de trabajo y el trabajo que debe realizarse.** El uso de la herramienta eléctrica para operaciones diferentes de aquéllas para las que fue diseñada podría originar una situación peligrosa.

5) Mantenimiento

- a) **Solicite a una persona calificada en reparaciones que realice el mantenimiento de su herramienta eléctrica y que sólo utilice piezas de repuesto idénticas.** Esto garantizará la seguridad de la herramienta eléctrica.

Instrucciones de seguridad adicionales para los rotomartillos

- **Utilice protectores auditivos.** La exposición a ruidos puede causar pérdida auditiva.
- **Utilice la(s) agarradera(s) auxiliare(s), si son suministradas con la herramienta.** Perder el control de la herramienta podría causar lesiones corporales.
- **Sostenga la herramienta eléctrica por sus superficies de empuñadura aisladas cuando realice una operación en la cual la herramienta para cortar pudiera entrar en contacto con instalaciones eléctricas ocultas o con su propio cable.** Si el accesorio de corte entra en contacto con un cable "vivo"

puede hacer que las partes metálicas de la herramienta eléctrica queden "vivas" y causar una descarga eléctrica al operador.

- **Use abrazaderas u otra manera práctica de fijar y sujetar la pieza de trabajo a una plataforma estable.** Sujetar la pieza con la mano o contra el cuerpo es inestable y resultará en que pierda el control.
- **Lleve lentes de seguridad u otra protección ocular.** Las operaciones de martilleo provocan la expulsión de virutas. Las partículas despedidas pueden provocar lesiones irreversibles en los ojos. Lleve una mascarilla antipolvo o un respirador cuando realice aplicaciones que generen polvo. En la mayoría de las aplicaciones puede ser necesaria una protección auditiva.
- **Mantenga siempre la herramienta bien sujeta. No opere la herramienta si no puede sujetarla con ambas manos.** Si opera esta herramienta con una sola mano, perderá el control de la misma. Atravesar o topar con materiales duros, tales como un refuerzo posterior, también podría resultar peligroso. Ajuste bien el mango lateral antes de usar la herramienta.
- **No opere esta herramienta durante períodos largos de tiempo.** La vibración provocada por la acción de percusión puede ser peligrosa para sus manos y brazos. Utilice guantes para mayor amortiguación y descanse con frecuencia para limitar el riesgo de exposición.
- **No renueve las brocas usted mismo.** La renovación de las brocas debe realizarla un especialista autorizado. Una broca mal renovada puede provocar lesiones.
- **Lleve guantes al operar la herramienta y al cambiar las brocas.** Las piezas metálicas de la herramienta y las brocas pueden calentarse mucho durante la operación. Los pequeños trozos de material roto pueden dañar las manos desprotegidas.
- **Nunca suelte la herramienta hasta que la broca haya dejado de girar totalmente.** Las brocas en movimiento pueden provocar lesiones.
- **Si una broca se atasca, no la golpee con un martillo para desbloquearla.** Podrían saltar fragmentos de metal o virutas de material y provocar lesiones.
- **Mantenga el cable alejado de la broca en movimiento. No enrolle el cable alrededor de ninguna parte de su cuerpo.** Un cable eléctrico enrollado alrededor de una broca que gira puede provocar lesiones y pérdida de control.
- **Los orificios de ventilación suelen cubrir piezas en movimiento, por lo que también se deben evitar.** Las piezas en movimiento pueden atrapar prendas de vestir sueltas, joyas o el cabello largo.

Instrucción Adicional de Seguridad



ADVERTENCIA: Use SIEMPRE lentes de seguridad.

Los anteojos de diario NO SON lentes de seguridad.

Utilice además una cubrebocas o mascarilla antipolvo si la operación de corte genera demasiado polvo.

SIEMPRE LLEVE EQUIPO DE SEGURIDAD CERTIFICADO:

- protección ocular ANSI Z87.1 (CAN/CSA Z94.3),
- protección auditiva ANSI S12.6 (S3.19),

- protección respiratoria NIOSH/OSHA/MSHA.



ADVERTENCIA: Algunas partículas de polvo generadas al lijar, serrar, esmerilar y taladrar con herramientas eléctricas, así como al realizar otras actividades de construcción, contienen químicos que el Estado de California sabe que pueden producir cáncer, defectos congénitos u otras afecciones reproductivas. Ejemplos de estos químicos son:

- plomo de algunas pinturas en base a plomo,
- polvo de sílice proveniente de ladrillos y cemento y otros productos de albañilería, y
- arsénico y cromo provenientes de madera tratada químicamente.

Su riesgo de exposición a estos químicos varía, dependiendo de la frecuencia con la cual realiza usted este tipo de trabajo. Para reducir su exposición a estas sustancias químicas: trabaje en una zona bien ventilada y llevando equipos de seguridad aprobados, como mascarillas antipolvo especialmente diseñadas para filtrar partículas microscópicas.

- **Evite el contacto prolongado con polvo generado por el lijado, aserrado, pulido, taladrado y otras actividades de construcción. Vista ropas protectoras y lave las áreas de la piel expuestas con agua y jabón.** Si permite que el polvo se introduzca en la boca u ojos o quede sobre la piel, puede favorecer la absorción de productos químicos peligrosos.



ADVERTENCIA: La utilización de esta herramienta puede generar polvo o dispersarlo, lo que podría causar daños graves y permanentes al sistema respiratorio, así como otras lesiones. Siempre use protección respiratoria aprobada por NIOSH (Instituto Nacional de Seguridad y Salud en el Trabajo) u OSHA (Administración de Seguridad y Salud en el Trabajo) apropiada para la exposición al polvo. Dirija las partículas en dirección contraria a la cara y el cuerpo.



ADVERTENCIA: Siempre lleve la debida protección auditiva personal en conformidad con ANSI S12.6 (S3.19) durante el uso de esta herramienta. Bajo algunas condiciones y duraciones de uso, el ruido producido por este producto puede contribuir a la pérdida auditiva.



ATENCIÓN: Cuando no esté en uso, guarde la herramienta apoyada en un costado sobre una superficie estable, donde no interrumpa el paso o provoque una caída. Algunas herramientas con paquetes de baterías de gran tamaño pueden colocarse paradas sobre el paquete de baterías, pero pueden caerse fácilmente.

- **Los orificios de ventilación suelen cubrir piezas en movimiento, por lo que también se deben evitar.** Las piezas en movimiento pueden atrapar prendas de vestir sueltas, joyas o el cabello largo.
- **Los hilos del alargador deben ser de un calibre apropiado (AWG o American Wire Gauge) para su seguridad.** Mientras menor sea el calibre del hilo, mayor la capacidad del cable. Es decir, un hilo calibre 16 tiene mayor capacidad que uno de 18. Un cable de un calibre insuficiente causará una caída en la tensión de la línea dando por resultado una pérdida de energía

y sobrecalentamiento. Cuando se utilice más de un alargador para completar el largo total, asegúrese que los hilos de cada alargador tengan el calibre mínimo. La tabla siguiente muestra el tamaño correcto a utilizar, dependiendo de la longitud del cable y del amperaje nominal de la placa de identificación. Si tiene dudas sobre cuál calibre usar, use un calibre mayor. Cuanto menor sea el número del calibre, más resistente será el cable.

Calibre mínimo de conjuntos de cables

Voltios	Longitud total del cable en pies (metros)				
	120 V	25 (7,6)	50 (15,2)	100 (30,5)	150 (45,7)
240 V	50 (15,2)	100 (30,5)	200 (61,0)	300 (91,4)	
Amperaje nominal	AWG				
	Más de	Más de	Más de	Más de	Más de
0	6	18	16	16	14
6	10	18	16	14	12
10	12	16	16	14	12
12	16	14	12	Not Recommended	

La etiqueta de su herramienta puede incluir los siguientes símbolos. A continuación se indican los símbolos y sus definiciones:

V	voltios	or AC/DC corriente alterna o directa
Hz	hertz construcción de Clase II (doble aislamiento)
min	minutos	n_0 velocidad sin carga
or DC.....	direct current	n velocidad nominal
.....	Construcción de Clase I (tierra) terminal de conexión a tierra
... /min.....	por minuto símbolo de advertencia de seguridad
BPM.....	golpes por minuto radiación visible
IPM.....	impactos por minuto protección respiratoria
RPM.....	revoluciones por minuto protección ocular
sfpm.....	pies de superficie por minuto protección auditiva
SPM.....	pasadas por minuto lea toda la documentación
A.....	amperios	
W.....	watios	
or AC.....	corriente alterna	

GUARDE ESTAS INSTRUCCIONES PARA VOLVER A CONSULTAR EN EL FUTURO

Motor

Asegúrese de que la fuente de energía concuerde con lo que se indica en la placa. Un descenso en el voltaje de más del 10% producirá una pérdida de potencia y sobrecalentamiento. Todas las herramientas DEWALT son probadas en fábrica; si esta herramienta no funciona, verifique el suministro eléctrico.

COMPONENTES (FIG. A)

⚠️ ADVERTENCIA: Nunca modifique la herramienta eléctrica, ni tampoco ninguna de sus piezas. Podría producir lesiones corporales o daños.

Consulte la Figura A al principio de este manual para obtener una lista completa de los componentes.

USO DEBIDO

Estos rotomartillos para trabajos pesados han sido diseñados para el taladrado con percusión y corte por capas realizado a nivel profesional en diversos sitios de trabajo (por ejemplo, sitios de construcción). **NO** utilice la herramienta en condiciones de humedad o en la presencia de líquidos o gases inflamables.

NO utilice la herramienta en condiciones de humedad o en presencia de líquidos o gases inflamables.

Estos rotomartillos para trabajo pesado son herramientas eléctricas profesionales.

NO permita que los niños toquen la herramienta. Si el operador no tiene experiencia operando esta herramienta, su uso deberá ser supervisado.

MONTAJE Y AJUSTES

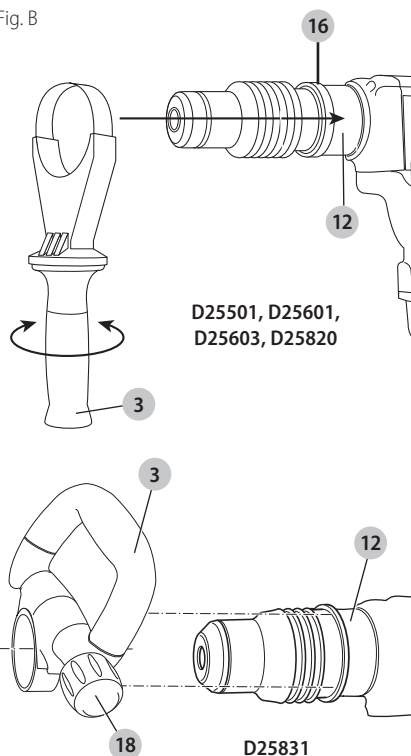
⚠️ ADVERTENCIA: Para reducir el riesgo de lesiones personales graves, apague la herramienta y desconéctela de la fuente de alimentación antes de realizar ajustes o de retirar/instalar dispositivos o accesorios. Un arranque accidental podría causar lesiones.

Agarradera lateral (Fig. B)

⚠️ ADVERTENCIA: Para reducir el riesgo de lesiones corporales, **SIEMPRE** opere la herramienta con el mango lateral debidamente instalado y ajustado. El incumplimiento con lo anterior podría resultar en que el mango lateral se suelte durante la operación de la herramienta y que el operador pierda el control como consecuencia. Sostenga la herramienta con ambas manos para maximizar control.

La empuñadura lateral **3** se engancha a la parte frontal de la caja de velocidades **12** y puede girarse a 360° para permitirle usar el aparato con la mano derecha o izquierda. Hay que apretar suficientemente la empuñadura lateral para resistir la acción de torsión de la herramienta si el accesorio se traba o se para. Asegúrese de aferrar la empuñadura por el extremo para controlar la herramienta cuando se para. Para aflojar la empuñadura lateral, gírela en sentido antihorario.

Fig. B



Sistema de Control activo de vibración SHOCKS® (Fig. A, F)

D25651, D25601, D25603, D25831, D25851

Para un mejor control de la vibración, sujetar la herramienta con una mano en el mango principal (4) y la otra mano en el mango lateral (3). Aplique solamente suficiente presión para que el dispositivo amortiguador sobre la agarradera principal quede aproximadamente a la mitad de su recorrido. El martillo sólo requiere una cantidad suficiente de presión para activar el control de vibración activa. La herramienta no taladrará ni cortará con mayor rapidez, ni se activará el control de vibración activa si se aplica más presión de la necesaria.

Inserción y desmontaje de accesorios estriados (Fig. C)

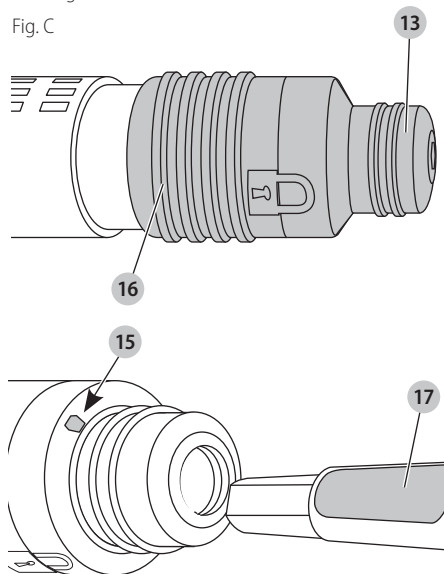
D25553, D25651, D25851

⚠️ ADVERTENCIA: Peligro de quemaduras. **SIEMPRE** use guantes al cambiar las brocas. Las piezas metálicas de la herramienta y las brocas pueden calentarse mucho durante la operación. Los pequeños trozos de material roto pueden dañar las manos desprotegidas.

⚠️ ADVERTENCIA: No intente ajustar o soltar las brocas (ni ningún otro accesorio) sujetando la parte frontal del broquero y encendiendo la herramienta. Esto podría dañar el broquero y causar lesiones corporales.

1. Inserte el vástago de la broca en el portaherramientas **13** tanto como pueda. El surco sobre el vástago del cincel **17** debe estar alineado con el símbolo **15** sobre el portaherramientas. Si está insertado correctamente, el manguito de bloqueo **16** retrocede a la posición extrema y muestra un símbolo de candado cerrado.
2. Tire de la broca para comprobar que esté bien sujeta.
3. Si el surco del cincel no está alineado con el símbolo, o no está completamente insertado, el símbolo de candado permanece abierto.
4. Para retirar la broca, tire del manguito de bloqueo y extraiga la broca.

Fig. C

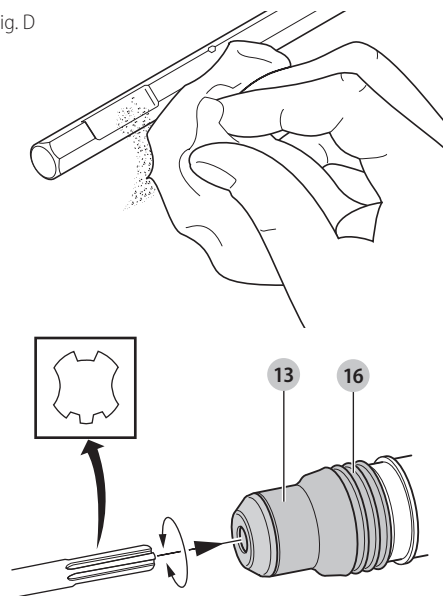


Inserción y desmontaje de accesorios SDS Max (Fig. D)

D25501, D25601, D25603, D25831

1. Tire hacia atrás del manguito de bloqueo **16** e inserte el vástago de la broca. El vástago de la broca debe estar limpio.
2. Gire ligeramente la broca hasta que el manguito vuelva a su posición.
3. Cerciérese que la broca esté engranada en forma apropiada.
NOTA: La broca necesita moverse varios centímetros adentro y afuera del portaherramientas **13** cuando está engranado en forma apropiada.
4. Para retirar la broca, tire del manguito de bloqueo y extraiga la broca.

Fig. D



Embrague de dos etapas/E-Clutch™ (Fig. E)

AVISO: Siempre apague la herramienta antes de cambiar los ajustes de control del par de torsión o podría dañar la herramienta.

Embrague de dos etapas D25603, D25651

La configuración de embrague 1 **14** está orientada a la mayoría de aplicaciones de taladrado de percusión y está diseñada para desembragar fácilmente cuando la broca encuentre varillas de refuerzo u otras sustancias extrañas.

La configuración de embrague 2 **11** está orientada a aplicaciones con mayor par de torsión, tales como barrenas huecas y taladrado de percusión de orificios profundos, y está diseñada para desembragar al pasar un mayor umbral de par de torsión.

Desplace la palanca de control del par de torsión **8** a la configuración de embrague 1 ó 2 según lo requiera la aplicación.

NOTA: Permita que la carcasa del motor gire un poco al cambiar el par de torsión.

NOTA: Si no es posible seleccionar la Posición de embrague 2, poner la herramienta en funcionamiento bajo carga e intentar de nuevo.

Cada vez que se enchufa la herramienta se pondrá automáticamente en la configuración de embrague 1, la configuración más sensible.

E-CLUTCH™

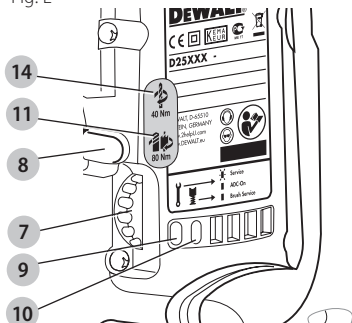
D25603

Además, E-Clutch™ ofrece una mayor comodidad y seguridad a través de una tecnología antirrotación

ESPAÑOL

incorporada capaz de detectar si el usuario pierde control del martillo. Cuando se detecta un atasco, se reducen el par de torsión y la velocidad instantáneamente. El indicador rojo LED 9 se ilumina cuando el E-Clutch™ está activado.

Fig. E



Control electrónico de la velocidad y el impacto (Fig. E)

D25651, D25601, D25603, D25831, D25851

El control electrónico de la velocidad y el impacto permite usar brocas más pequeñas sin riesgo de romperlas; taladrar con percusión en materiales ligeros y frágiles sin astillarlos, y tener un control óptimo para un burilado preciso.

Para fijar el selector de control, gire el selector 7 al nivel deseado. Cuanto más alto sea el número, mayores serán la velocidad y la energía de impacto. Los valores del selector permiten que la herramienta sea extremadamente adaptable a muchas aplicaciones distintas. El valor adecuado depende del tamaño de la broca y la dureza del material taladrado.

Selector de modo (Fig. A)

AVISO: Nunca cambie el modo mientras que la unidad esté funcionando. La herramienta debe pararse por completo antes de activar el botón selector de modo o puede producirse daño a la herramienta.

ATENCIÓN: No cambie a la modalidad de taladro percutor con la broca para cincelado en el portaherramientas. Podrían presentarse lesiones corporales y daños a la herramienta.

Los D25501, D25553, D25601, D25603 y D25651 utilizan dos modos operativos. Para seleccionar el modo operativo requerido, gire el selector de modalidad 6 hasta que la flecha apunte al ícono de taladrado de percusión o de burilado. Los D25831 y D25851 solamente utilizan el modo de burilado.

Modo de taladrado de percusión (T)

D25501, D25553, D25601, D25603, D25651

La herramienta gira e impacta el trabajo simultáneamente. Este modo es adecuado para todas las operaciones sobre hormigón y mampostería.

Modo de burilado (T)

D25831, D25851

El seguro del eje está engranado durante el modo de burilado de tal modo que la herramienta impacta el trabajo sin rotación. Este modo es adecuado para trabajos livianos de burilado, cincelado y demolición.

NOTA: En modo de burilado, el taladro percutor también puede usarse como palanca para liberar una broca atascada.

Ajuste de la broca para cincelado (O)

D25831, D25851

Gire el selector de modalidad hasta uno de los íconos de ajuste de la broca para cincelado para ajustar el cincel a la posición deseada. Hay varias posiciones para fijar el ángulo del cincel. Después de encontrar la posición deseada, manibre suavemente la broca para cincelado hacia atrás y hacia adelante para cerciorarse de que el cincel esté engranado en forma apropiada.

Luces indicadoras (Fig. A, E)

El indicador LED amarillo del desgaste de escobillas 10 se enciende cuando las escobillas de carbón estén casi desgastadas, indicando que la herramienta necesita servicio dentro de las próximas 8 horas de uso.

El indicador LED rojo 9 se enciende si se usa la pieza deslizante de bloqueo 2 y/o el embrague electrónico en cualquier modo distinto al modo de burilado.

El indicador LED rojo 9 destella si se presenta una avería en la herramienta, o si las escobillas están completamente desgastadas (refiérase a **Reparaciones** bajo **Mantenimiento**).

INDICADOR	DIAGNOSTICO	SOLUCIÓN
APAGADO (OFF)	La herramienta funciona con normalidad	Siga todas las advertencias e instrucciones cuando esté operando la herramienta
FIJO	El Control para operar y proteger ha sido activado	Habiendo apoyado apropiadamente la herramienta, libere el gatillo la herramienta funcionara normalmente cuando el obturador sea liberado nuevamente y la luz indicadora se apagará
INTERMITENTE	El Control para operar y proteger no está funcionando bien	Lleva la herramienta a un agente de reparación autorizado de DeWALT

NOTA: Si la potencia de la herramienta no es suficiente para el martillado normal y si la LED no está intermitente repetidamente después de activar y desactivar el gatillo, lleve la herramienta a un centro de reparaciones autorizado por DeWALT.

OPERACIÓN

⚠️ ADVERTENCIA: Para reducir el riesgo de lesiones personales graves, apague la herramienta y desconéctela de la fuente de alimentación antes de realizar ajustes o de retirar/instalar dispositivos o accesorios. Un arranque accidental podría causar lesiones.

⚠️ ADVERTENCIA: Para reducir el riesgo de lesiones corporales, SIEMPRE asegúrese de que la pieza de trabajo esté debidamente sujeta. Si va a perforar un material delgado, utilice un bloque de madera como "respaldo" para evitar dañarlo.

⚠️ ADVERTENCIA: Para reducir el riesgo de lesiones corporales, SIEMPRE opere la herramienta con el mango lateral debidamente instalado y ajustado. El incumplimiento con lo anterior podría resultar en que el mango lateral se suelte durante la operación de la herramienta y que el operador pierda el control como consecuencia. Sostenga la herramienta con ambas manos para maximizar control.

⚠️ ADVERTENCIA: Si se sobrecarga el taladro, el motor podría atascarse y causar una torsión repentina. Siempre anticipe que esto suceda. Sujete firmemente el taladro con ambas manos para controlar la acción de torsión y evitar lesiones.

Posición adecuada de las manos (Fig. F)

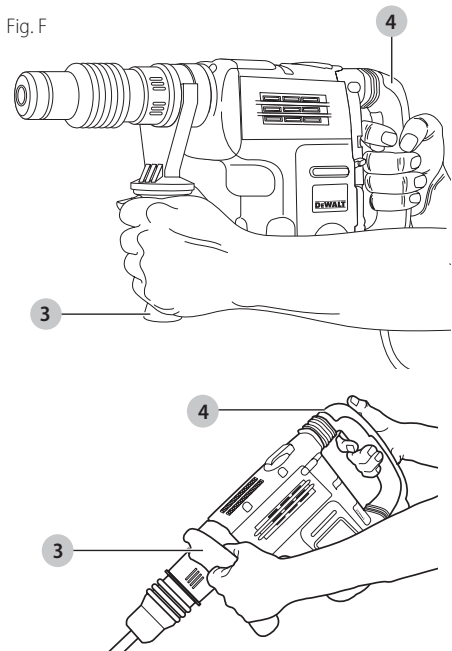
⚠️ ADVERTENCIA: Para reducir el riesgo de lesión personal grave, tenga SIEMPRE las manos en una posición adecuada como se muestra.

⚠️ ADVERTENCIA: Para reducir el riesgo de lesión personal grave, sujete SIEMPRE bien en caso de que haya una reacción repentina.

La posición correcta de las manos consiste en poner una mano en el mango lateral **3**, y la otra mano en el mango principal **4**.

NOTA: La temperatura de operación de esta herramienta es -7° a +40° C (19° a 104° F). El utilizar la herramienta por fuera de este rango de temperatura disminuirá la vida útil de la herramienta.

Fig. F



Interruptor de gatillo (Fig. A)

D25501, D25553, D25601, D25603, D25651

Para encender la herramienta, apriete el interruptor de gatillo **1**. Para detener la herramienta, suelte el interruptor de gatillo.

Sólo en el modo de burilado, bloquee el interruptor de gatillo, empuje la pieza deslizante de bloqueo **2** hacia arriba mientras presiona el interruptor de gatillo.

Para desactivar la pieza deslizante de bloqueo, presione una vez el interruptor de gatillo y suelte a continuación.

La pieza deslizante de bloqueo solamente puede ser activada en el modo de burilado. La máquina dejará de operar cuando se intente engranar la pieza deslizante de bloqueo en el modo de taladrado de percusión. El motor se detendrá si la pieza deslizante para bloqueo en encendido es activada al cambiar del modo de cincelado al modo de taladrado de percusión.

D25831, D25851

Para operación continua, desplace el conmutador basculante **1** a la posición de encendido. Para detener la operación continua, desplace el conmutador basculante a la posición de apagado.

Función de arranque progresivo

La función de arranque progresivo permite aumentar la velocidad lentamente, de modo que la broca no se mueva de la posición de taladrado al arrancar. La función de arranque progresivo también reduce la reacción de par inmediata transmitida al engranaje y al operador si el martillo arranca con la broca en un agujero que ya exista.

Taladrado de percusión con brocas sólidas (Fig. A, E)

D25501, D25553, D25601, D25603, D25651

NOTA: Los D25831 y D25851 solamente tienen modos de burilado, sin capacidad para taladrado de percusión.

1. Coloque el selector de modalidad **6** en el modo de taladrado de percusión.
2. Únicamente para D25603 y D25651, mueva la palanca de control del par de torsión **8** a la configuración 1 **14**.
3. Fije el selector de control de la velocidad y el impacto **7**.
4. Inserte la broca adecuada.
5. Ajuste la agarradera lateral (posición frontal o trasera) **3**.
6. Marque el punto donde debe taladrarse el agujero.
7. Coloque la broca sobre esa marca y presione el interruptor de gatillo **1**.
8. Aplique solamente suficiente presión para engranar el control de vibración activa (Refiérase a **Sistema de Control activo de vibración SHOCKS®**).
9. Para detener la herramienta, suelte el interruptor de gatillo. Siempre apague la herramienta al terminar el trabajo y antes de desenchufar.

Taladrado de percusión con barrenas huecas (Fig. A, E)

D25501, D25553, D25601, D25603, D25651



ATENCIÓN: No utilice una barrena hueca para taladrado de percusión en madera. Podrían presentarse lesiones corporales y daños a la herramienta.

NOTA: Los D25831, D25851 solamente tienen modos de burilado, sin capacidad para taladrado de percusión.

1. Coloque el selector de modalidad **6** en el modo de taladrado de percusión.
2. Únicamente para D25603 y D25651, mueva la palanca de control del par de torsión **8** a la configuración 2 **11**.
3. Girar el botón de control de velocidad e impacto **7** hasta la posición de velocidad deseada.
4. Ajuste la agarradera lateral (posición frontal o trasera) **3**.
5. Monte la broca de centrado y el adaptador en la barrena hueca.
6. Marque el punto donde debe taladrarse el agujero.
7. Coloque la broca de centrado sobre esa marca y presione el interruptor de gatillo **1**.

NOTA: Algunas barrenas huecas precisan que se quite la broca de centrado después de una penetración de aproximadamente 1 cm. Si es así, retire y continúe con el taladrado de percusión.

8. Al efectuar taladrado de percusión a través de una estructura más gruesa que la profundidad de la barrena hueca, quite periódicamente el cilindro de hormigón o el núcleo del interior de la barrena. Para evitar la rotura

del hormigón alrededor del orificio, taladre antes un agujero del diámetro de la broca de centrado a lo largo de toda la estructura. Luego barrene el agujero, la mitad desde cada lado de la estructura.

9. Para detener la herramienta, suelte el interruptor de gatillo. Siempre apague la herramienta al terminar el trabajo y antes de desenchufar.

Burilado (Fig. A)

D25831, D25851

1. Coloque el selector de modalidad **6** en el modo de burilado.
2. Coloque el selector de control impacto **7** en la configuración deseada (refiérase a **Control electrónico de la velocidad y el impacto**).
3. Inserte el cincel adecuado y gírelo a mano para fijarlo en la posición deseada.
NOTA: Utilice solamente brocas SDS Max para los modelos SDS Max.
4. Ajuste la agarradera lateral (posición frontal o trasera) **3**.
5. Presione el interruptor de gatillo **1**.
6. Aplique solamente suficiente presión para engranar el control de vibración activa (Refiérase a **Sistema de Control activo de vibración SHOCKS®**).
7. Para detener la herramienta, suelte el interruptor de gatillo. Siempre apague la herramienta al terminar el trabajo y antes de desenchufar.

MANTENIMIENTO



ADVERTENCIA: Para reducir el riesgo de lesiones personales graves, apague la herramienta y desconéctela de la fuente de alimentación antes de realizar ajustes o de retirar/instalar dispositivos o accesorios. Un arranque accidental podría causar lesiones.

Limpieza



ADVERTENCIA: Sople la suciedad y el polvo de todos los conductos de ventilación con aire seco, al menos una vez por semana. Para reducir el riesgo de lesiones, utilice siempre protección para los ojos aprobada ANSI Z87.1 al realizar esta tarea.



ADVERTENCIA: Nunca utilice solventes ni otros químicos abrasivos para limpiar las piezas no metálicas de la herramienta. Estos productos químicos pueden debilitar los materiales plásticos utilizados en estas piezas. Utilice un paño humedecido sólo con agua y jabón neutro. Nunca permita que penetre líquido dentro de la herramienta ni sumerja ninguna de las piezas en un líquido.

Lubricación

Su herramienta fue debidamente lubricada antes de dejar la fábrica. Lleve o envíe la herramienta a un centro de servicio certificado en dos a seis meses, dependiendo del nivel de uso para que se le haga una limpieza e inspección minuciosa. Las herramientas utilizadas constantemente en tareas de producción pueden requerir una lubricación

más frecuente. Las herramientas que no son utilizadas por períodos largos de tiempo deberían volverse a lubricar antes de usarse nuevamente.

Accesorios



ADVERTENCIA: Debido a que no se han probado con este producto otros accesorios que no sean los que ofrece DeWALT, el uso de dichos accesorios con esta herramienta podría ser peligroso. Para reducir el riesgo de lesiones, con este producto deben usarse sólo los accesorios recomendados por DeWALT.

Los accesorios que se recomiendan para utilizar con la herramienta están disponibles a un costo adicional en su distribuidor local o en un centro de mantenimiento autorizado. Si necesita ayuda para localizar algún accesorio, póngase en contacto con DeWALT Industrial Tool Co., 701 East Joppa Road, Towson, MD 21286, llame al 1-800-4-DeWALT (1-800-433-9258) o visite nuestro sitio web: www.dewalt.com.

CAPACIDADES MÁXIMAS RECOMENDADAS

	D25501 D25553	D25601 D25603	D25651	D25831	D25851
Hormigón	40 mm (1-9/16")	45 mm (1-3/4")	45 mm (1-3/4")	-	-
RPM	490	415	415	-	-
BPM sin carga	3300	2840	2840	1430- 2840	1430- 2840

Reparaciones



ADVERTENCIA: Para asegurar la **SEGURIDAD** y la **CONFIABILIDAD** del producto, las reparaciones, el mantenimiento y los ajustes (inclusive la inspección y el cambio de las escobillas, cuando proceda) deben ser realizados en un centro de mantenimiento en la fábrica DeWALT u en un centro de mantenimiento autorizado DeWALT. Utilice siempre piezas de repuesto idénticas.

Para reparación y servicio de sus herramientas eléctricas, favor de dirigirse al Centro de Servicio más cercano

CULIACAN, SIN

Bldv. Emiliano Zapata 5400-1 Poniente Col. (667) 717 89 99 San Rafael

GUADALAJARA, JAL

Av. La Paz #1779 - Col. Americana Sector Juárez (33) 3825 6978

MEXICO, D.F.

Eje Central Lázaro Cárdenas No. 18 - Local D, Col. Obrera (55) 5588 9377

MERIDA, YUC

Calle 63 #459-A - Col. Centro (999) 928 5038

MONTERREY, N.L.

Av. Francisco I. Madero 831 Poniente - Col. (818) 375 23 13 Centro

PUEBLA, PUE

17 Norte #205 - Col. Centro (222) 246 3714

QUERETARO, QRO

Av. San Roque 274 - Col. San Gregorio (442) 2 17 63 14

SAN LUIS POTOSI, SLP

Av. Universidad 1525 - Col. San Luis (444) 814 2383

TORREON, COAH

Bldv. Independencia, 96 Pte. - Col. Centro (871) 716 5265

VERACRUZ, VER

Prolongación Díaz Mirón #4280 - Col. Remes (229) 921 7016

VILLAHERMOSA, TAB

Constitución 516-A - Col. Centro (993) 312 5111

PARA OTRAS LOCALIDADES:

Si se encuentra en México, por favor llame al (55) 5326 7100

Si se encuentra en U.S., por favor llame al 1-800-433-9258 (1-800 4-DeWALT)

Póliza de Garantía

IDENTIFICACIÓN DEL PRODUCTO:

Sello o firma del Distribuidor.

Nombre del producto: _____

Mod./Cat.: _____

Marca: _____

Núm. de serie: _____

(Datos para ser llenados por el distribuidor)

Fecha de compra y/o entrega del producto: _____

Nombre y domicilio del distribuidor donde se adquirió el producto: _____

Este producto está garantizado por un año a partir de la fecha de entrega, contra cualquier defecto en su funcionamiento, así como en materiales y mano de obra empleados para su fabricación. Nuestra garantía incluye la reparación o reposición del producto y/o componentes sin cargo alguno para el cliente, incluyendo mano de obra, así como los gastos de transportación razonablemente erogados derivados del cumplimiento de este certificado.

Para hacer efectiva esta garantía deberá presentar su herramienta y esta póliza sellada por el establecimiento comercial donde se adquirió el producto, de no contar con ésta, bastará la factura de compra.

Excepciones

Esta garantía no será válida en los siguientes casos:

- Cuando el producto se hubiese utilizado en condiciones distintas a las normales;
- Cuando el producto no hubiese sido operado de acuerdo con el instructivo de uso que se acompaña;

ESPAÑOL

- *Cuando el producto hubiese sido alterado o reparado por personas distintas a las enlistadas al final de este certificado.*

Anexo encontrará una relación de sucursales de servicio de fábrica, centros de servicio autorizados y franquiciados en la República Mexicana, donde podrá hacer efectiva su garantía y adquirir partes, refacciones y accesorios originales.

Registro en línea

Gracias por su compra. Registre su producto ahora para:

- **SERVICIO EN GARANTÍA:** Si completa esta tarjeta, podrá obtener un servicio en garantía más eficiente, en caso de que exista un problema con su producto.
- **CONFIRMACIÓN DE PROPIEDAD:** En caso de una pérdida que cubra el seguro, como un incendio, una inundación o un robo, el registro de propiedad servirá como comprobante de compra.
- **PARA SU SEGURIDAD:** Si registra el producto, podremos comunicarnos con usted en el caso improbable que se deba enviar una notificación de seguridad conforme a la Federal Consumer Safety Act (Ley Federal de Seguridad de Productos para el Consumidor).

Registro en línea en www.dewalt.com/register.

Garantía limitada por tres años

DeWALT reparará, sin cargo, cualquier falla que surja de defectos en el material o la fabricación del producto, por hasta tres años a contar de la fecha de compra. Esta garantía no cubre fallas de las piezas causadas por su desgaste normal o abuso a la herramienta. Para mayores detalles sobre la cobertura de la garantía e información acerca de reparaciones realizadas bajo garantía, visítenos en www.dewalt.com o diríjase al centro de servicio más cercano. Esta garantía no aplica a accesorios o a daños causados por reparaciones realizadas o intentadas por terceros. Esta garantía le otorga derechos legales específicos, además de los cuales puede tener otros dependiendo del estado o la provincia en que se encuentre. Además de la garantía, las herramientas DeWALT están cubiertas por:

1 AÑO DE SERVICIO GRATUITO

DeWALT mantendrá la herramienta y reemplazará las piezas gastadas por su uso normal, sin cobro, en cualquier momento durante un año a contar de la fecha de compra. Los artículos gastados por la clavadora, tales como la unidad de hoja y retorno del impulsador, no están cubiertas.

GARANTÍA DE REEMBOLSO DE SU DINERO POR 90 DÍAS

Si no está completamente satisfecho con el desempeño de su máquina herramienta, láser o clavadora DeWALT, cualquiera sea el motivo, podrá devolverlo hasta 90 días de la fecha de compra con su recibo y obtener el reembolso completo de su dinero – sin necesidad de responder a ninguna pregunta.

AMÉRICA LATINA: Esta garantía no se aplica a los productos que se venden en América Latina. Para los productos que se venden en América Latina, debe consultar la información de la garantía específica del país que viene en el empaque, llamar a la compañía local o visitar el sitio Web a fin de obtener esa información.

REEMPLAZO GRATUITO DE LAS ETIQUETAS DE

ADVERTENCIAS: Si sus etiquetas de advertencia se vuelven ilegibles o faltan, llame al 1-800-433-9258 (1-800-4-DeWALT) para que se le reemplacen gratuitamente.

Solamente para propósito de México:

Importado por: DeWALT Industrial Tool Co. S.A. de C.V.

Avenida Antonio Dovalí Jaime, # 70 Torre B Piso 9

Colonia La Fe, Santa Fé

Código Postal : 01210

Delegación Alvaro Obregón

México D.F.

Tel. (52) 555-326-7100

R.F.C.: BDE810626-1W7

ESPECIFICACIONES

	D25501-AR	D25602-AR	D25820-AR	D25831-AR		
Voltaje	220 V ~	220 V ~	220 V ~	220 V ~		
Frecuencia	50 Hz	50 Hz	50 Hz	50 Hz		
Watts	1 100	1 200	1 150	1 200		
RPM	490/min	210–415/min	–	–		
Impactos por min (IPM)	3 300	1 430–2 830	2 740	1 430–2 840		
	D25501-B2	D25601-B2	D25602-B2	D25820-B2	D25831-B2	
Voltaje	220 V ~	220 V ~	220 V ~	220 V ~	220 V ~	
Frecuencia	50–60 Hz	50–60 Hz	50–60 Hz	50–60 Hz	50–60 Hz	
Watts	1 100	1 200	1 200	1 150	1 200	
RPM	490/min	210–415/min	210–415/min	–	–	
Impactos por min (IPM)	3 300	3 300	1 430–2 830	2 740	1 430–2 840	
	D25601-B3	D25820-B3				
Voltaje	120 V ~	120 V ~				
Frecuencia	50–60 Hz	50–60 Hz				
Watts	1 200	1 150				
RPM	210–415/min	–				
Impactos por min (IPM)	3 300	2 740				





DeWALT Industrial Tool Co., 701 East Joppa Road, Towson, MD 21286
(MAR17) Part No. N487907 D25501, D25553, D25601, D25603, D25651, D25831, D25851
Copyright © 2010, 2017 DeWALT

The following are trademarks for one or more DeWALT power tools: the yellow and black color scheme, the “D” shaped air intake grill, the array of pyramids on the handgrip, the kit box configuration, and the array of lozenge-shaped humps on the surface of the tool.