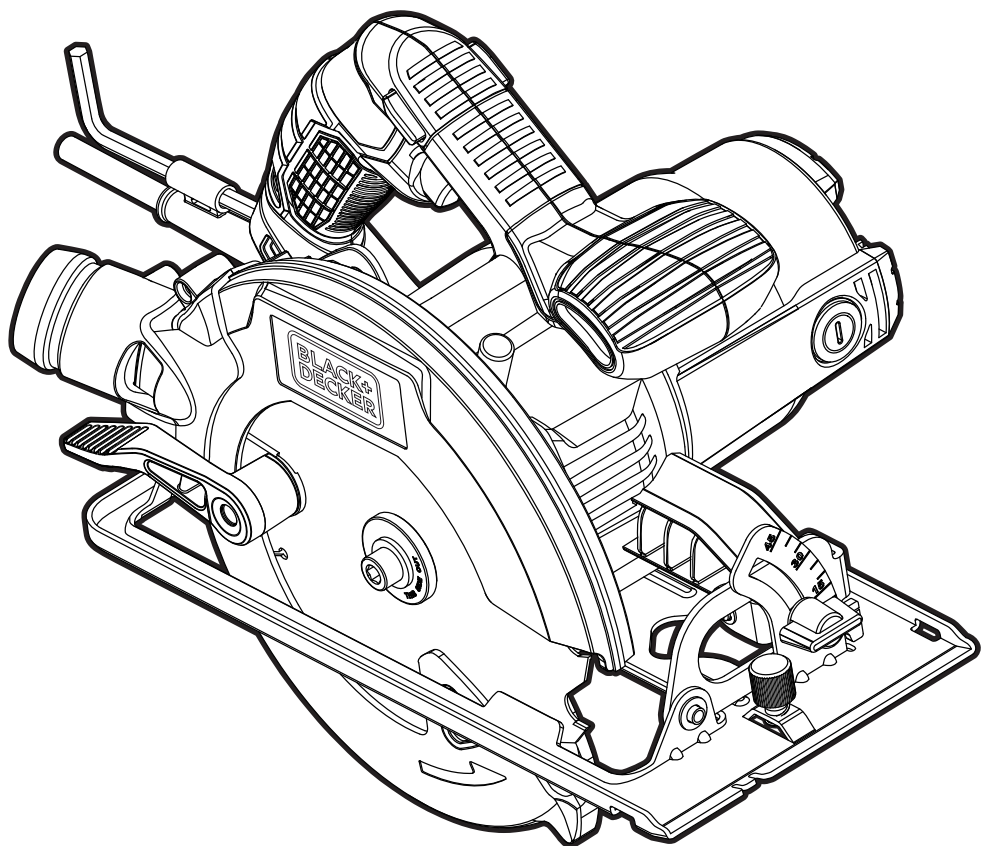
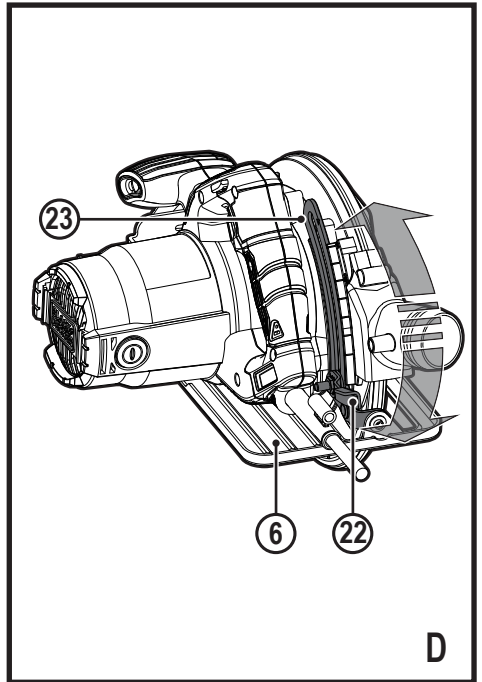
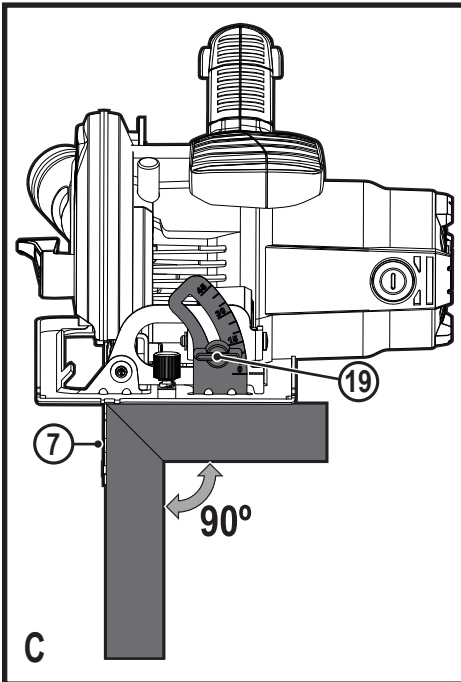
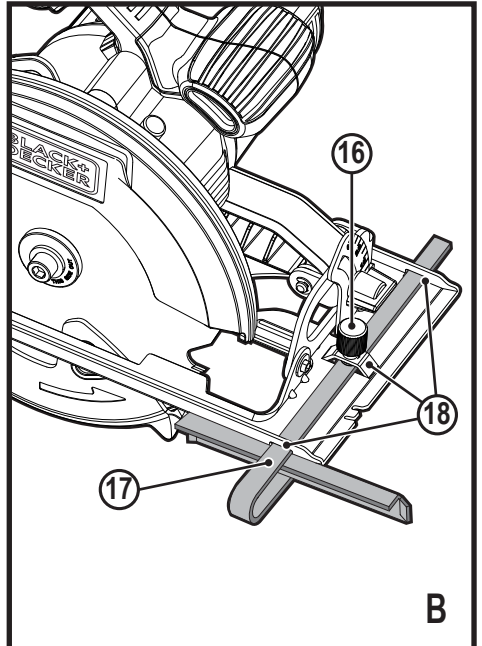
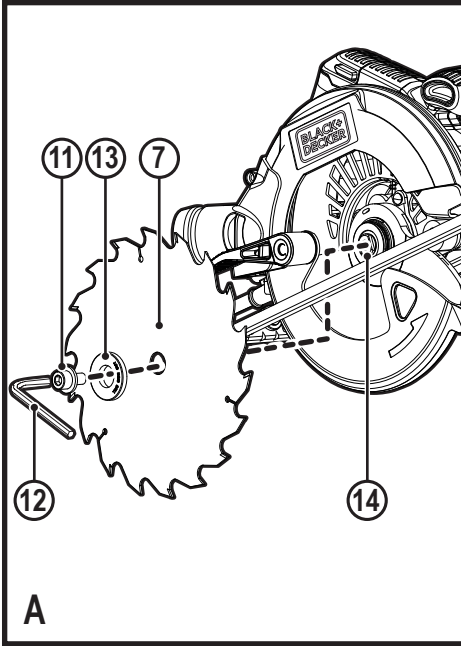
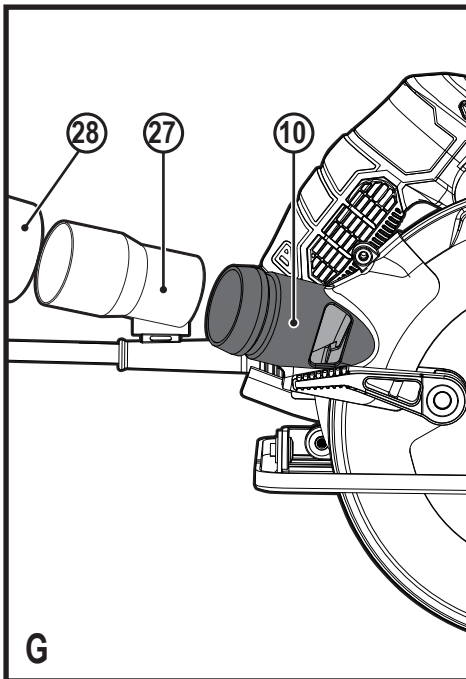
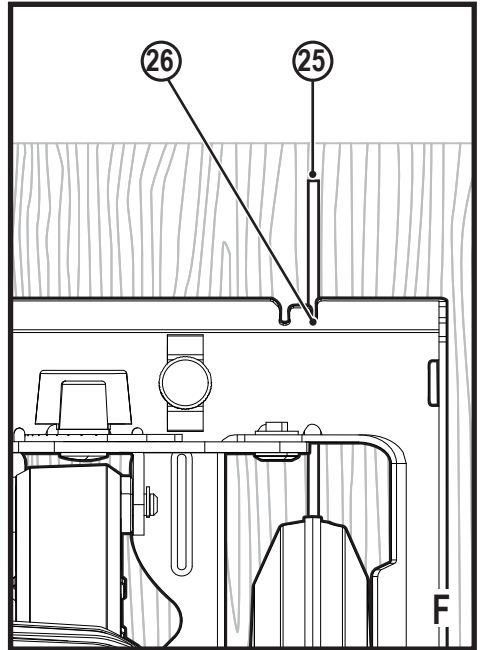
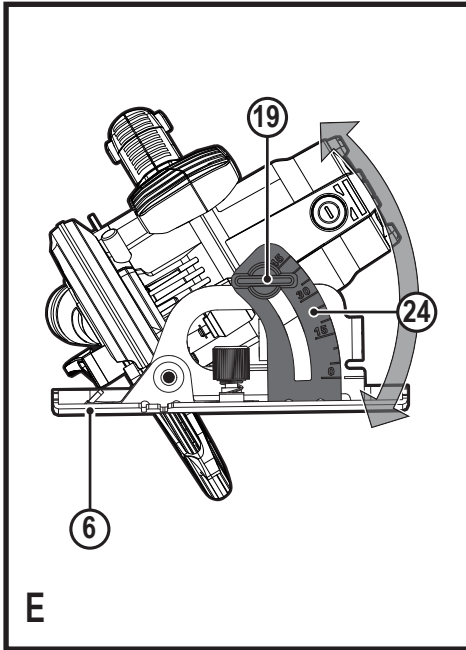


**BLACK+  
DECKER**™







## Intended use

Your BLACK+DECKER™ CS1550 Circular saw has been designed for sawing wood and wood products. This tool is intended for consumer use only.

## Safety instructions

### General power tool safety warnings



**Warning: Read all safety warnings and all instructions.** Failure to follow the warnings and instructions listed below may result in electric shock, fire and/or serious injury.

**Save all warnings and instructions for future reference.** The term "power tool" in all of the warnings listed below refers to your mains operated (corded) power tool or battery operated (cordless) power tool.

### 1. Work area safety

- a. **Keep work area clean and well lit.**  
Cluttered and dark areas invite accidents.
- b. **Do not operate power tools in explosive atmospheres, such as in the presence of flammable liquids, gases or dust.** Power tools create sparks which may ignite the dust or fumes.
- c. **Keep children and bystanders away while operating a power tool.**  
Distractions can cause you to lose control.

### 2. Electrical safety

- a. **Power tool plugs must match the outlet. Never modify the plug in any way. Do not use any adapter plugs with earthed (grounded) power tools.** Unmodified plugs and matching outlets will reduce risk of electric shock.
- b. **Avoid body contact with earthed or grounded surfaces such as pipes, radiators, ranges and refrigerators.**  
There is an increased risk of electric shock if your body is earthed or grounded.
- c. **Do not expose power tools to rain or wet conditions.** Water entering a power tool will increase the risk of electric shock.

- d. **Do not abuse the cord. Never use the cord for carrying, pulling or unplugging the power tool. Keep cord away from heat, oil, sharp edges or moving parts.**  
Damaged or entangled cords increase the risk of electric shock.
- e. **When operating a power tool outdoors, use an extension cord suitable for outdoor use.** Use of a cord suitable for outdoor use reduces the risk of electric shock.
- f. **If operating a power tool in a damp location is unavoidable, use a residual current device (RCD) protected supply.**  
Use of an RCD reduces the risk of electric shock.

### 3. Personal safety

- a. **Stay alert, watch what you are doing and use common sense when operating a power tool. Do not use a power tool while you are tired or under the influence of drugs, alcohol or medication.** A moment of inattention while operating power tools may result in serious personal injury.
- b. **Use personal protective equipment. Always wear eye protection.** Protective equipment such as dust mask, non-skid safety shoes, hard hat, or hearing protection used for appropriate conditions will reduce personal injuries.
- c. **Prevent unintentional starting. Ensure the switch is in the off-position before connecting to power source and/or battery pack, picking up or carrying the tool.** Carrying power tools with your finger on the switch or energising power tools that have the switch on invites accidents.
- d. **Remove any adjusting key or wrench before turning the power tool on.** A wrench or a key left attached to a rotating part of the power tool may result in personal injury.
- e. **Do not overreach. Keep proper footing and balance at all times.** This enables better control of the power tool in unexpected situations.

**f. Dress properly. Do not wear loose clothing or jewellery. Keep your hair, clothing and gloves away from moving parts.** Loose clothes, jewellery or long hair can be caught in moving parts.

**g. If devices are provided for the connection of dust extraction and collection facilities, ensure these are connected and properly used.** Use of dust collection can reduce dust-related hazards.

#### 4. Power tool use and care

**a. Do not force the power tool. Use the correct power tool for your application.** The correct power tool will do the job better and safer at the rate for which it was designed.

**b. Do not use the power tool if the switch does not turn it on and off.** Any power tool that cannot be controlled with the switch is dangerous and must be repaired.

**c. Disconnect the plug from the power source and/or the battery pack from the power tool before making any adjustments, changing accessories, or storing power tools.** Such preventive safety measures reduce the risk of starting the power tool accidentally.

**d. Store idle power tools out of the reach of children and do not allow persons unfamiliar with the power tool or these instructions to operate the power tool.** Power tools are dangerous in the hands of untrained users.

**e. Maintain power tools. Check for misalignment or binding of moving parts, breakage of parts and any other condition that may affect the power tools operation. If damaged, have the power tool repaired before use.** Many accidents are caused by poorly maintained power tools.

**f. Keep cutting tools sharp and clean.** Properly maintained cutting tools with sharp cutting edges are less likely to bind and are easier to control.

**g. Use the power tool, accessories and tool bits etc. in accordance with these instructions, taking into account the**

**working conditions and the work to be performed.** Use of the power tool for operations different from those intended could result in a hazardous situation.

#### 5. Service

**a. Have your power tool serviced by a qualified repair person using only identical replacement parts.** This will ensure that the safety of the power tool is maintained.

#### Additional power tool safety warnings



**Warning!** Additional safety warnings for saws

**a. Keep hands away from cutting area and the blade. Keep your second hand on auxiliary handle, or motor housing.** If both hands are holding the saw, they cannot be cut by the blade.

**b. Do not reach underneath the workpiece.** The guard cannot protect you from the blade below the workpiece.

**c. Adjust the cutting depth to the thickness of the workpiece.** Less than a full tooth of the blade teeth should be visible below the workpiece.

**d. Never hold piece being cut in your hands or across your leg. Secure the workpiece to a stable platform.** It is important to support the work properly to minimize body exposure, blade binding, or loss of control.

**e. Hold power tool by insulated gripping surfaces when performing an operation where the cutting tool may contact hidden wiring or its own cord.** Contact with a "live" wire will also make exposed metal parts of the power tool "live" and shock the operator.

**f. When ripping always use a rip fence or straight edge guide.** This improves the accuracy of cut and reduces the chance of blade binding.

**g. Always use blades with correct size and shape (diamond versus round) of arbour holes.** Blades that do not match the mounting hardware of the saw will run eccentrically, causing loss of control.

**h. Never use damaged or incorrect blade washers or bolt.** The blade washers and bolt were specially designed for your saw, for optimum performance and safety of operation.

#### Further safety instructions for all saws

Causes and operator prevention of kickback:

- kickback is a sudden reaction to a pinched, bound or misaligned saw blade, causing an uncontrolled saw to lift up and out of the workpiece toward the operator;
- when the blade is pinched or bound tightly by the kerf closing down, the blade stalls and the motor reaction drives the unit rapidly back toward the operator;
- if the blade becomes twisted or misaligned in the cut, the teeth at the back edge of the blade can dig into the top surface of the wood causing the blade to climb out of the kerf and jump back toward the operator.

Kickback is the result of saw misuse and/or incorrect operating procedures or conditions and can be avoided by taking proper precautions as given below.

- a. Maintain a firm grip with both hands on the saw and position your arms to resist kickback forces. Position your body to either side of the blade, but not in line with the blade.** Kickback could cause the saw to jump backwards, but kickback forces can be controlled by the operator, if proper precautions are taken.
  - b. When the blade is binding, or when interrupting a cut for any reason, release the trigger and hold the saw motionless in the material until the blade comes to a complete stop. Never attempt to remove the saw from the work or pull the saw backward while the blade is in motion or kickback may occur.** Investigate and take corrective actions to eliminate the cause of blade binding.
  - c. When restarting a saw in the workpiece, centre the saw blade in the kerf and check that saw teeth are not engaged**
- into the material.** If saw blade is binding, it may walk up or kickback from the workpiece as the saw is restarted.
  - d. Support large panels to minimise the risk of blade pinching and kickback. Large panels tend to sag under their own weight.** Supports must be placed under the panel on both sides, near the line of cut and near the edge of the panel.
  - e. Do not use dull or damaged blades.** Unsharpened or improperly set blades produce narrow kerf causing excessive friction, blade binding and kickback.
  - f. Blade depth and bevel adjusting locking levers must be tight and secure before making cut.** If blade adjustment shifts while cutting, it may cause binding and kickback.
  - g. Use extra caution when making a "plunge cut" into existing walls or other blind areas.** The protruding blade may cut objects that can cause kickback.

#### Safety instructions for circular saws with outer or inner pendulum guards and with tow guard

- a. Check lower guard for proper closing before each use. Do not operate the saw if lower guard does not move freely and close instantly. Never clamp or tie the lower guard into the open position.** If saw is accidentally dropped, lower guard may be bent. Raise the lower guard with the retracting handle and make sure it moves freely and does not touch the blade or any other part, in all angles and depths of cut.
- b. Check the operation of the lower guard spring. If the guard and the spring are not operating properly, they must be serviced before use.** Lower guard may operate sluggishly due to damaged parts, gummy deposits, or a build-up of debris.
- c. Lower guard should be retracted manually only for special cuts such as "plunge cuts" and "compound cuts". Raise lower guard by retracting handle and as soon as blade enters the material, the lower guard must be released.** For all other sawing, the lower guard should operate automatically.

- d. **Always observe that the lower guard is covering the blade before placing saw down on bench or floor.** An unprotected, coasting blade will cause the saw to walk backwards, cutting whatever is in its path. Be aware of the time it takes for the blade to stop after switch is released.

## Residual risks

The following risks are inherent to the use of saws:

- Injuries caused by touching the rotating parts.

Even with the application of the relevant safety regulations and the implementation of safety devices, certain residual risks cannot be avoided. These are:

- Impairment of hearing.
- Risk of accidents caused by the uncovered parts of the rotating saw blade.
- Risk of injury when changing the blade.
- Risk of squeezing fingers when opening the guards.
- Health hazards caused by breathing dust developed when sawing wood, especially oak, beech and MDF.

## Saw blades

- Do not use blades of larger or smaller diameter than recommended. For the proper blade rating refer to the technical data. Use only the blades specified in this manual, complying with EN 847-1.
- **Warning!** Never use abrasive wheels.

## Safety of others

- This appliance is not intended for use by persons (including children) with reduced physical, sensory or mental capabilities, or lack of experience and knowledge, unless they have been given supervision or instruction concerning use of the appliance by a person responsible for their safety.
- Children should be supervised to ensure that they do not play with the appliance.

## Vibration









The declared vibration emission values stated in the technical data and the declaration of conformity have been measured in accordance with a standard test method provided by EN 60745 and may be used for comparing one tool with another. The declared vibration emission value may also be used in a preliminary assessment of exposure.

**Warning!** The vibration emission value during actual use of the power tool can differ from the declared value depending on the ways in which the tool is used. The vibration level may increase above the level stated.

When assessing vibration exposure to determine safety measures required by 2002/44/EC to protect persons regularly using power tools in employment, an estimation of vibration exposure should consider, the actual conditions of use and the way the tool is used, including taking account of all parts of the operating cycle such as the times when the tool is switched off and when it is running idle in addition to the trigger time.

## Labels on tool

The label on your tool may include the following symbols

	Read Instructions Manual	Hz ..... Hertz		Class II Construction
	Use Eye Protection	W ..... Watts		Earthing Terminal
	Use Ear Protection	min ..... minutes		Safety Alert Symbol
				
		..... Alternating Current		
				
		..... Direct Current		
V ..... Volts		...../min..		Revolutions or Reciprocation per minute
A ..... Amperes		$n_0$ ..... No-Load Speed		

## Position of date barcode

The Date Code, which also includes the year of manufacture, is printed into the housing. Example:

2017 XX JN  
Year of manufacturing

## Electrical safety



This tool is double insulated; therefore no earth wire is required. Always check that the power supply corresponds to the voltage on the rating plate.

- If the supply cord is damaged, it must be replaced by the manufacturer or an authorised BLACK+DECKER Service Centre in order to avoid a hazard.

## Features

1. On/off switch
2. Lock-off button
3. Main handle
4. Secondary handle
5. Spindle lock button
6. Shoe
7. Saw blade
8. Saw blade guard
9. Guard handle
10. Saw dust outlet

## Assembly

Warning! Before attempting any of the following operations, make sure that the tool is switched off and unplugged and that the saw blade has stopped.

### Removing and fitting a saw blade (fig. A)

#### Removing

- Keep the spindle lock button (5) depressed and rotate the blade until the spindle lock engages.
- Loosen and remove the blade retaining screw (11) by turning it counterclockwise using the spanner (12) supplied.
- Remove the outer washer (13).
- Remove the saw blade (7).

#### Fitting

- Place the saw blade onto the inner flange (14), making sure that the arrow on the blade points in the same direction as the arrow on the tool.
- Fit the outer washer (13) on the spindle, with the raised part pointing away from the saw blade.
- Insert the blade retaining screw (11) into the hole.
- Keep the spindle lock button (5) depressed.
- Securely tighten the blade retaining screw by turning it clockwise using the spanner (12) supplied.
- Adjust the riving knife as described below.

### Fitting and removing the parallel fence (fig. B)

- The parallel fence is used to saw in a straight line parallel to the edge of the workpiece.

#### Fitting

- Loosen the locking knob (16).
- Insert the parallel fence (17) through the openings (18).
- Slide the parallel fence into the desired position.
- Tighten the locking knob.

#### Removing

- Loosen the locking knob.
- Pull the parallel fence off the tool.

#### Use

**Warning!** Let the tool work at its own pace. Do not overload.

**Note:** This tool can be used in the right hand or the left hand.

### Adjusting the sawing angle (fig. C)

The default angle between the saw blade and the shoe is 90°.



- Use a square to check that the angle between the saw blade and the shoe is 90°. If the angle does not measure 90° adjust as follows:
- Loosen the locking knob (19) to unlock the saw shoe.
- Loosen the locknut (20) on the adjusting screw (21).
- Screw the adjusting screw in or out to achieve a 90° angle.
- Retighten the locknut.
- Tighten the locking knob to lock the saw shoe in place.

### Adjusting the depth of cut (fig. D)

The depth of cut should be set according to the thickness of the workpiece. It should exceed the thickness by approx. 2 mm.

- Loosen the knob (22) to unlock the saw shoe.
- Move the saw shoe (6) into the desired position.

The corresponding depth of cut can be read from the scale (23).

- Tighten the knob to lock the saw shoe in place.

### Adjusting the bevel angle (fig. E)

This tool can be set to bevel angles between 0° and 45°.

- Loosen the locking knob (19) to unlock the saw shoe.
- Move the saw shoe (8) into the desired position. The corresponding bevel angle can be read from the scale (24).
- Tighten the locking knob to lock the saw shoe in place.

### Switching on and off

- To switch the tool on, move the lock-off button (2) into the unlock position and squeeze the on/off switch (1).
- To switch the tool off, release the on/off switch.

### Sawing

Always hold the tool with both hands.

- Let the blade run freely for a few seconds before starting the cut.
- Apply only a gentle pressure to the tool while performing the cut.
- Work with the shoe pressed against the workpiece.

### Hints for optimum use

- As some splintering along the line of cut on the top side of the workpiece cannot be avoided, cut on the side where splintering is acceptable.
- Where splintering is to be minimised, e.g. when cutting laminates, clamp a piece of plywood onto the top of the workpiece.

### Using the sight guide (fig. F)

The tool is equipped with a sight guide for straight cutting.

- Align the left edge of the guides (26) with the cutting line (25).
- Keep the sight guide aligned with the cutting line while sawing.
- Work with the shoe pressed against the workpiece.

### Dust extraction (fig. G)

An adaptor is required to connect a vacuum cleaner or dust extractor to the tool.

- Insert the dust extraction adaptor (27) into the saw dust outlet (10).
- Connect the vacuum cleaner hose (28) to the adaptor.

### Maintenance

Your BLACK+DECKER corded/cordless appliance/tool has been designed to operate over a long period of time with a minimum of maintenance. Continuous satisfactory operation depends upon proper tool care and regular cleaning.

**Warning!** Before performing any maintenance on corded/cordless power tools:

- Switch off and unplug the appliance/tool.
- Or switch off and remove the battery from the appliance/tool if the appliance/tool has a separate battery pack.
- Or run the battery down completely if it is integral and then switch off.
- Unplug the charger before cleaning it. Your charger does not require any maintenance apart from regular cleaning.
- Regularly clean the ventilation slots in your appliance/tool/charger using a soft brush or dry cloth.
- Regularly clean the motor housing using a damp cloth. Do not use any abrasive or solvent-based cleaner.
- Regularly open the chuck and tap it to remove any dust from the interior (when fitted).

**Protecting the environment**



Separate collection. This product must not be disposed of with normal household waste.

Should you find one day that your BLACK+DECKER product needs replacement, or if it is of no further use to you, do not dispose of it with household waste. Make this product available for separate collection.



Separate collection of used products and packaging allows materials to be recycled and used again. Reuse of recycled materials helps prevent environmental pollution and reduces the demand for raw materials.

Local regulations may provide for separate collection of electrical products from the household, at municipal waste sites or by the retailer when you purchase a new product.

BLACK+DECKER provides a facility for the collection and recycling of BLACK+DECKER products once they have reached the end of their working life. To take advantage of this service please return your product to any

authorised repair agent who will collect them on our behalf.

You can check the location of your nearest authorised repair agent by contacting your local BLACK+DECKER office at the address indicated in this manual. Alternatively, a list of authorised BLACK+DECKER repair agents and full details of our after-sales service and contacts are available on the Internet at: [www.2helpU.com](http://www.2helpU.com).

**TECHNICAL DATA**

<b>CS1550</b>		
Input voltage	V <sub>AC</sub>	220-240
Power input	W	1500
No-load speed	min <sup>-1</sup>	5500
Max. depth of cut	mm	66
Blade diameter	mm	190
Blade bore	mm	16
Blade tip width	mm	1.8
Weight	kg	3.9 (4.31 with blade)

<b>Level of sound pressure according to EN 60745:</b>	
Sound pressure (L <sub>pA</sub> )	89,0 dB(A), uncertainty (K) 3 dB(A)
Sound power (L <sub>WA</sub> )	100 dB(A), uncertainty (K) 3 dB(A)

<b>Vibration total values (triax vector sum) according to EN 60745:</b>	
Vibration emission value (a <sub>h,w</sub> )	2.6m/s <sup>2</sup> , uncertainty (K) 1.5m/s <sup>2</sup> (cutting wood)

## EC declaration of conformity

MACHINERY DIRECTIVE



### CS1550-Circular saw

BLACK+DECKER declares that these products described under "Technical data" are in compliance with: 2006/42/EC, EN60745-1:2010, EN60745-2-5:2010

These products also comply with Directive 2014/30/EU and 2011/65/EU.

For more information, please contact BLACK+DECKER at the following address or refer to the back of the manual.

The undersigned is responsible for compilation of the technical file and makes this declaration on behalf of BLACK+DECKER.

**R. Laverick**  
Engineering Manager  
BLACK+DECKER Europe, 210 Bath Road,  
Slough,  
Berkshire, SL1 3YD  
United Kingdom  
01.2017

## Guarantee

BLACK+DECKER is confident of the quality of its products and offers an outstanding guarantee. This guarantee statement is in addition to and in no way prejudices your statutory rights.

If a BLACK+DECKER product becomes defective due to faulty materials, workmanship or lack of conformity, within 24 months from the date of purchase, BLACK+DECKER guarantees to replace defective parts, repair products subjected to fair wear and tear or replace such products to make sure of the minimum inconvenience to the customer unless:

- The product has been used for trade, professional or hire purposes.
- The product has been subjected to misuse or neglect.
- The product has sustained damage through foreign objects, substances or accidents.
- Repairs have been attempted by persons other than authorised repair agents or BLACK+DECKER service staff.

To claim on the guarantee, you will need to submit proof of purchase to the seller or an authorised repair agent. You can check the location of your nearest authorised repair agent by contacting your local BLACK+DECKER office at the address indicated in this manual. Alternatively, a list of authorised BLACK+DECKER repair agents and full details of our aftersales service and contacts are available on the Internet at: [www.2helpU.com](http://www.2helpU.com)

## Назначение

Ваша дисковая пила BLACK+DECKER™ CS1550 предназначена для пиления древесины и изделий из дерева. Данный инструмент предназначен только для бытового использования.

## Инструкции по технике безопасности

### Общие правила безопасности при работе с электроинструментами



**Внимание! Внимательно прочтите все инструкции по безопасности и руководство по эксплуатации.**

Несоблюдение всех перечисленных ниже правил безопасности и инструкций может привести к поражению электрическим током, возникновению пожара и/или получению тяжелой травмы.

**Сохраните все инструкции по безопасности и руководство по эксплуатации для их дальнейшего использования.** Термин «Электроинструмент» во всех приведенных ниже указаниях относится к Вашему сетевому (с кабелем) электроинструменту или аккумуляторному (беспроводному) электроинструменту.

#### 1. Безопасность рабочего места

- a. **Содержите рабочее место в чистоте и обеспечьте хорошее освещение.** Плохое освещение или беспорядок на рабочем месте может привести к несчастному случаю.
- b. **Не используйте электроинструменты, если есть опасность возгорания или взрыва, например, вблизи легко воспламеняющихся жидкостей, газов или пыли.** В процессе работы электроинструменты создают искровые разряды, которые могут воспламенить пыль или горючие пары.
- c. **Во время работы с электроинструментом не подпускайте близко детей или посторонних лиц.** Отвлечение внимания может вызвать у Вас потерю контроля над рабочим процессом.

#### 2. Электробезопасность

- a. **Вилка кабеля электроинструмента должна соответствовать штепсельной розетке. Ни в коем случае не видоизменяйте вилку электрического кабеля.** Не используйте соединительные штепсели-переходники, если в силовом кабеле электроинструмента есть провод заземления. Использование оригинальной вилки кабеля и соответствующей ей штепсельной розетки уменьшает риск поражения электрическим

током.

- b. **Во время работы с электроинструментом избегайте физического контакта с заземлёнными объектами, такими как трубопроводы, радиаторы отопления, электроплиты и холодильники.** Риск поражения электрическим током увеличивается, если Ваше тело заземлено.
  - c. **Не используйте электроинструмент под дождём или во влажной среде.** Попадание воды в электроинструмент увеличивает риск поражения электрическим током.
  - d. **Бережно обращайтесь с электрическим кабелем. Ни в коем случае не используйте кабель для переноски электроинструмента или для вытягивания его вилки из штепсельной розетки. Не подвергайте электрический кабель воздействию высоких температур и смазочных веществ; держите его в стороне от острых кромок и движущихся частей электроинструмента.** Повреждённый или запутанный кабель увеличивает риск поражения электрическим током.
  - e. **При работе с электроинструментом на открытом воздухе используйте удлинительный кабель, предназначенный для наружных работ.** Использование кабеля, пригодного для работы на открытом воздухе, снижает риск поражения электрическим током.
  - f. **При необходимости работы с электроинструментом во влажной среде используйте источник питания, оборудованный устройством защитного отключения (УЗО).** Использование УЗО снижает риск поражения электрическим током.
- #### 3. Личная безопасность
- a. **При работе с электроинструментами будьте внимательны, следите за тем, что Вы делаете, и руководствуйтесь здравым смыслом. Не используйте электроинструмент, если Вы устали, а также находясь под действием алкоголя или понижающих реакцию лекарственных препаратов и других средств.** Малейшая неосторожность при работе с электроинструментами может привести к серьёзной травме.
  - b. **При работе используйте средства индивидуальной защиты. Всегда надевайте защитные очки.** Своевременное использование защитного снаряжения, а именно: пылезаститной маски, ботинок на нескользящей подошве, защитного шлема или противозумовых наушников, значительно снизит риск получения травмы.

- c. Не допускайте непреднамеренного запуска. Перед тем, как подключить электроинструмент к сети и/или аккумулятору, поднять или перенести его, убедитесь, что выключатель находится в положении «выключено».** Не переносите электроинструмент с нажатым курковым выключателем и не подключайте к сетевой розетке электроинструмент, выключатель которого установлен в положение «включено», это может привести к несчастному случаю.
- d. Перед включением электроинструмента снимите с него все регулировочные или гаечные ключи.** Регулировочный или гаечный ключ, оставленный закреплённым на вращающейся части электроинструмента, может стать причиной получения тяжёлой травмы.
- e. Работайте в устойчивой позе. Всегда твёрдо стойте на ногах, сохраняя равновесие.** Это позволит Вам не потерять контроль при работе электроинструментом в непредвиденной ситуации.
- f. Одевайтесь соответствующим образом. Во время работы не надевайте свободную одежду или украшения. Следите за тем, чтобы Ваши волосы, одежда или перчатки находились в постоянном отдалении от движущихся частей инструмента.** Свободная одежда, украшения или длинные волосы могут попасть в движущиеся части инструмента.
- g. Если электроинструмент снабжён устройством сбора и удаления пыли, убедитесь, что данное устройство подключено и используется надлежащим образом.** Использование устройства пылеудаления значительно снижает риск возникновения несчастного случая, связанного с запылённостью рабочего пространства.
- 4. Использование электроинструментов и технический уход**
- a. Не перегружайте электроинструмент. Используйте Ваш инструмент по назначению.** Электроинструмент работает надёжно и безопасно только при соблюдении параметров, указанных в его технических характеристиках.
- b. Не используйте электроинструмент, если его выключатель не устанавливается в положение включения или выключения.** Электроинструмент с неисправным выключателем представляет опасность и подлежит ремонту.
- c. Отключайте электроинструмент от сетевой розетки и/или извлекайте аккумулятор перед регулировкой, заменой принадлежностей или при хранении электроинструмента.** Такие меры предосторожности снижают риск случайного включения электроинструмента.
- d. Храните неиспользуемые электроинструменты в недоступном для детей месте и не позволяйте лицам, не знакомым с электроинструментом или данными инструкциями, работать с электроинструментом.** Электроинструменты представляют опасность в руках неопытных пользователей.
- e. Регулярно проверяйте исправность электроинструмента. Проверяйте точность совмещения и лёгкость перемещения подвижных частей, целостность деталей и любых других элементов электроинструмента, воздействующих на его работу. Не используйте неисправный электроинструмент, пока он не будет полностью отремонтирован.** Большинство несчастных случаев являются следствием недостаточного технического ухода за электроинструментом.
- f. Следите за остротой заточки и чистой режущей принадлежностей.** Принадлежности с острыми кромками позволяют избежать заклинивания и делают работу менее утомительной.
- g. Используйте электроинструмент, аксессуары и насадки в соответствии с данным Руководством и с учетом рабочих условий и характера будущей работы.** Использование электроинструмента не по назначению может создать опасную ситуацию.
- 5. Техническое обслуживание**
- a. Ремонт Вашего электроинструмента должен производиться только квалифицированными специалистами с использованием идентичных запасных частей.** Это обеспечит безопасность Вашего электроинструмента в дальнейшей эксплуатации.
- Дополнительные меры безопасности при работе с электроинструментами**
- Внимание!** Дополнительные меры безопасности при работе пилами
- a. Держите руки на расстоянии от области распила и диска. Держите вторую руку на дополнительной рукоятке или на корпусе двигателя.** Если пила удерживается обеими руками, исключается вероятность их пореза диском.
- b. Не держите руки под обрабатываемой деталью.** Защитный кожух не защищает руки от касания диска под обрабатываемой деталью.

- c. **Отрегулируйте глубину пропила в соответствии с толщиной обрабатываемой детали.** Зуб диска не должен выступать с нижней стороны обрабатываемой детали полностью.
- d. **Никогда не удерживайте разрезаемую деталь в руках или прижав ее к ноге. Зафиксируйте обрабатываемую деталь на неподвижной опоре.** Необходимо надлежащим образом закрепить обрабатываемую деталь для снижения риска получения травмы, заклинивания диска или потери управления.
- e. **Держите электроинструмент за изолированные ручки при выполнении операций, во время которых режущий инструмент может задеть скрытую проводку или собственный кабель.** Контакт с находящимся под напряжением проводом делает непокрытые изоляцией металлические части электроинструмента также «живыми», что создает опасность поражения электрическим током.
- f. **Во время продольной распиловки всегда используйте направляющую планку или прямой направлятель детали.** Это повышает точность распила и снижает вероятность заклинивания диска.
- g. **Всегда используйте диски с посадочными отверстиями соответствующего размера и формы (ромбовидные или круглые).** Диски, не совпадающие с крепежными приспособлениями пилы, будут вращаться эксцентрически, что приведет к потере контроля.
- h. **Ни в коем случае не используйте поврежденные или несоответствующие зажимные кольца или болты для дисков.** Зажимные кольца и болты для дисков были разработаны специально для данной пилы с целью обеспечения оптимальной производительности и безопасности во время работы.

#### Дополнительные меры безопасности для всех типов пил

Причины обратного удара и действия оператора по его предупреждению:

- Обратный удар является внезапной реакцией на защемление, зажатие или смещение пильного диска, что приводит к неконтролируемому подъему пилы из обрабатываемой детали в направлении оператора.
- При зажатии или защемлении диска в пропиле, он останавливается, и реакция электродвигателя приводит к внезапному смещению инструмента в направлении или в сторону от оператора.
- Если диск перекашивается или смещается в

пропиле, зубья на его задней кромке могут войти в верхнюю часть деревянной детали, что приведет к выходу диска из пропила и его скачку в направлении оператора.

Обратный удар является результатом использования пилы не по назначению и/или неправильных действий оператора и условий работы, и его можно избежать, соблюдая следующие меры безопасности:

- a. **Крепко держите пилу обеими руками и следите за положением рук, чтобы эффективно противостоять воздействию обратного удара. Стойте сбоку от пилы, но не на одной линии с ней.** Обратный удар может привести к скачку пилы назад, но оператор может гасить его энергию при условии соблюдения надлежащих мер.
- b. **В случае заклинивания диска или в случае прекращения процесса резки по любой причине, отпустите курковый выключатель и удерживайте пилу неподвижно в обрабатываемой детали до полной остановки диска. Никогда не пытайтесь извлечь пилу из обрабатываемой детали или вытянуть ее назад, пока вращается диск - это может привести к обратному удару.** Выясните причину заклинивания диска и примите надлежащие меры по ее устранению.
- c. **При перезапуске пилы в детали отцентрируйте пильный диск в пропиле и убедитесь в том, что зубья пилы не касаются материала.** Если пильный диск заклинен, то при повторном запуске пилы он может подскочить вверх из детали или ударить назад.
- d. **Для сведения к минимуму риска заклинивания диска и возникновения обратного удара, поддерживайте заготовки большого размера. Большие заготовки висят под собственным весом. Разместите опоры под заготовку с обеих сторон, в непосредственной близости от линии распила и краев заготовок.**
- e. **Не используйте затупившиеся или поврежденные диски.** Тупые или неправильно разведенные диски образуют узкий пропил, что приводит к повышенному трению, заклиниванию диска и образованию обратного удара.
- f. **Рычаги настройки глубины пропила и угла резки на конус перед началом работы должны быть затянуты и зафиксированы.** В случае сбоя настроек диска, во время работы может произойти заклинивание и обратный удар.
- g. **Соблюдайте повышенную осторожность при выполнении врезного пиления стен или в других слепых зонах.** Выдвигаемый диск может встречаться с предметами, которые могут привести к образованию обратного удара.

### **Инструкции по технике безопасности при работе дисковыми пилами с внешним и внутренним маятниковыми защитными кожухами и буксирным защитным кожухом**

- a. **Перед каждым использованием проверяйте, правильно ли закрыт нижний защитный кожух. Не используйте пилу, если нижний защитный кожух не перемещается свободно и не закрывает диск постоянно. Никогда не зажимайте и не подвзываете нижний защитный кожух в открытом положении.** При случайном падении пилы нижний защитный кожух может погнуться. Поднимите нижний защитный кожух при помощи тягивающей рукоятки и убедитесь в том, что кожух перемещается свободно и не прикасается к диску или другим деталям при любых углах и глубине пиления.
- b. **Проверьте функционирование и состояние возвратной пружины нижнего защитного кожуха. Если защитный кожух и пружина не работают нормально, перед использованием необходимо выполнить их текущий ремонт.** Нижний защитный кожух может перемещаться замедленно из-за повреждения деталей, отложения клейких веществ или скопления мусора.
- c. **Нижний защитный кожух следует тягивать вручную только при выполнении специальных разрезов, например, врезных и комбинированных распилов. Поднимайте нижний защитный кожух при помощи тягивающей рукоятки, а когда диск прикаснется к материалу нижний кожух следует опустить.** Для всех других типов пиления нижний защитный кожух должен работать в автоматическом режиме.
- d. **Всегда следите за тем, чтобы нижний защитный кожух закрывал диск, прежде чем класть пилу на верстак или на пол.** Незащищенный диск во время выбега приведет к смещению пилы назад и разрезанию всех находящихся на траектории его движения предметов. Помните о том, что после отпущения выключателя требуется некоторое время для полной остановки диска.

### **Остаточные риски**

Следующие риски являются характерными при использовании пил:

- Травмы в результате касания вращающихся частей.

Несмотря на соблюдение соответствующих инструкций по технике безопасности и

использование предохранительных устройств, некоторые остаточные риски невозможно полностью исключить. К ним относятся:

- Ухудшение слуха.
- Риск несчастных случаев, вызванных незакрытыми частями вращающегося режущего диска.
- Риск получения травмы при смене диска.
- Риск защемления пальцев при снятии защитных кожухов.
- Ущерб здоровью в результате вдыхания пыли от распила древесины, в особенности, дуба, бука и ДВП.

### **Пильные диски**

- Не используйте диски меньшего или большего диаметра, чем рекомендовано. См. скорость вращения дисков в технических характеристиках. Используйте только указанные в данном руководстве диски, соответствующие стандарту EN 847-1.
- **Внимание!** Никогда не используйте абразивные диски.

### **Безопасность посторонних лиц**

- Использование инструмента физически или умственно неполноценными людьми, а также детьми и неопытными лицами допускается только под контролем ответственного за их безопасность лица.
- Не позволяйте детям играть с электроинструментом.

### **Вибрация**

Значения уровня вибрации, указанные в технических характеристиках инструмента и декларации соответствия, были измерены в соответствии со стандартным методом определения вибрационного воздействия согласно EN60745 и могут использоваться при сравнении характеристик различных инструментов. Приведенные значения уровня вибрации могут также использоваться для предварительной оценки величины вибрационного воздействия.

**Внимание!** Значения вибрационного воздействия при работе с электроинструментом зависят от вида работ, выполняемых данным инструментом, и могут отличаться от заявленных значений. Уровень вибрации может превышать заявленное значение.

При оценке степени вибрационного воздействия для определения необходимых защитных мер (2002/44/ЕС) для людей, использующих в процессе работы электроинструменты, необходимо принимать во внимание действительные условия использования электроинструмента, учитывая все составляющие рабочего цикла, в том числе время, когда инструмент находится в выключенном состоянии, и время, когда он работает без нагрузки, а также время его запуска и отключения.

## Маркировка инструмента

Наравне с кодом даты на инструменте могут находиться следующие знаки:

	Прочтите руководство по эксплуатации.	Hz ..... Герц		..... Конструкция Класса II
	Используйте защитные очки.	W ..... Ватт		..... Клемма заземления
	Используйте средства защиты органов слуха.	min ..... минут		..... Переменный ток
			..... Символ опасности	
			..... Постоянный ток	..... /min.. Кол-во оборотов или шагов в минуту
V .....	Вольт			
A .....	Ампер	n <sub>0</sub> .....	Скорость без нагрузки	

## Местоположение кода даты

Код даты, который также включает в себя год изготовления, отштампован на поверхности корпуса инструмента.

Пример:

2017 XX JN  
Год изготовления

## Электробезопасность



Данный электроинструмент защищен двойной изоляцией, исключающей потребность в заземляющем проводе. Следите за напряжением электрической сети, оно должно соответствовать величине, обозначенной на информационной табличке электроинструмента.

- Во избежание несчастного случая, замена поврежденного кабеля питания должна производиться только на заводе-изготовителе или в авторизованном сервисном центре BLACK+DECKER.

## Составные части

1. Клавиша пускового выключателя
2. Кнопка защиты от непреднамеренного пуска
3. Основная рукоятка
4. Вспомогательная рукоятка

5. Кнопка блокировки шпинделя
6. Подошва
7. Пильный диск
8. Защитный кожух пильного диска
9. Рычаг защитного кожуха
10. Выпускное отверстие пылеотвода

## Сборка

**Внимание!** Перед выполнением любой из последующих операций убедитесь, что электроинструмент выключен и отсоединен от электросети, а пильный диск остановлен.

## Снятие и установка пильного диска (Рис. А)

### Снятие

- Нажимайте на кнопку блокировки шпинделя (5) и одновременно поворачивайте пильный диск, пока не включится блокировка шпинделя.
- Используя ключ (12), входящий в комплект поставки, отвинтите и удалите стопорный винт (11), поворачивая его против часовой стрелки.
- Удалите внешнюю шайбу (13).
- Снимите пильный диск (7).

### Установка

- Установите пильный диск на внутренний фланец (14), убедившись, что стрелки на диске и инструменте указывают в одном направлении.
- Установите внешнюю шайбу (13) на шпиндель, чтобы выпуклая сторона была направлена в сторону от диска.
- Вставьте в отверстие стопорный винт (11) диска.
- Нажмите и удерживайте кнопку блокировки шпинделя (5).
- Используя ключ (12), входящий в комплект поставки, крепко затяните стопорный винт диска, поворачивая его по часовой стрелке.
- Отрегулируйте расклинивающий нож, как описано ниже.

## Установка и снятие параллельной направляющей (Рис. В)

Параллельная направляющая предназначена для выполнения прямого реза параллельно краю заготовки.



**Установка**

- Ослабьте зажимную рукоятку (16).
- Вставьте направляющую (17) через отверстия (18).
- Передвиньте параллельную направляющую в необходимое положение.
- Затяните зажимную рукоятку.

**Снятие**

- Ослабьте зажимную рукоятку.
- Снимите параллельную направляющую с инструмента.

**Эксплуатация**

**Внимание!** Не форсируйте рабочий процесс. Избегайте перегрузки электроинструмента.

Примечание: Данный инструмент может управляться пользователями как с правой, так и с левой рабочей рукой.

**Регулировка угла реза (Рис. С)**

- По умолчанию угол между пильным диском и подошвой составляет 90°.
- Проверьте по угольнику, равен ли угол между пильным диском и подошвой 90°. Если нет, отрегулируйте угол следующим образом:
- Ослабьте зажимную рукоятку (19) для разблокировки подошвы.
- Открутите стопорную гайку (20) на регулировочном винте (21).
- Вкручивайте/выкручивайте регулировочный винт для установки угла 90°.
- Затяните стопорную гайку.
- Затяните зажимную рукоятку, фиксируя подошву на месте.

**Настройка глубины пропила (Рис. D)**

Глубина пропила устанавливается в соответствии с толщиной заготовки. Глубина пропила должна превышать толщину заготовки примерно на 2 мм.

- Поднимите рычаг настройки (22) для разблокировки подошвы.
- Установите подошву (6) в желаемое положение.

Глубину пропила можно проверить по шкале (23).

- Затяните зажимную рукоятку, фиксируя подошву на месте.

**Регулировка угла наклона подошвы (Рис. E)**

На данном инструменте может устанавливаться угол наклона от 0° до 45°.

- Ослабьте зажимную рукоятку (19) для разблокировки подошвы.
- Установите подошву (8) в желаемое положение. Угол наклона можно проверить по шкале (24).
- Затяните зажимную рукоятку, фиксируя подошву на месте.

**Включение и выключение**

- Для включения инструмента, переведите кнопку защиты от непреднамеренного пуска (2) в положение разблокировки и нажмите на клавишу пускового выключателя (1).
- Чтобы выключить инструмент, отпустите клавишу пускового выключателя

**Пиление**

Всегда удерживайте инструмент обеими руками.

- Перед выполнением реза дайте пильному полотну поработать без нагрузки в течение нескольких секунд.
- При распиле прикладывайте к инструменту только лёгкое усилие.
- В ходе работы прижимайте подошву к поверхности заготовки.

**Рекомендации по оптимальному использованию**

- Поскольку невозможно полностью избежать откалывания мелких частиц вдоль линии реза, выбирайте для работы ту сторону заготовки, где это допустимо.
- Если необходимо свести количество сколов к минимуму (например, при распиле ламината), закрепите верх заготовки лист фанеры

**Использование направляющей пластины (Рис. F)**

Инструмент оснащен направляющей пластиной для выполнения точных прямых резов.

- Совместите левую кромку направляющей пластины (26) с линией реза (25).
- Выполняйте рез, удерживая кромку направляющей по линии реза.
- В ходе работы прижимайте подошву к поверхности заготовки.

## Пылеудаление (Рис. G)

Для подключения к инструменту пылесоса или пылеудаляющего устройства необходим переходник.

- Вставьте переходник (27) в выпускное отверстие пылеотвода (10).
- Подключите шланг пылесоса (28) к переходнику.

## Техническое обслуживание

Ваш электрический/аккумуляторный инструмент BLACK+DECKER рассчитан на работу в течение продолжительного времени при минимальном техническом обслуживании. Срок службы и надёжность инструмента увеличивается при правильном уходе и регулярной чистке.

**Внимание!** Перед проведением технического обслуживания электрического/аккумуляторного инструмента:

- Выключите инструмент и отключите его от источника питания.
- Или выключите инструмент и извлеките из него аккумулятор, если инструмент оснащён съёмным аккумулятором.
- В случае наличия встроенного аккумулятора, полностью разгрузите аккумулятор и выключите инструмент.
- Перед чисткой зарядного устройства отключите его от источника питания. Ваше зарядное устройство не требует никакого дополнительного технического обслуживания, кроме регулярной чистки.
- Регулярно очищайте вентиляционные отверстия инструмента/зарядного устройства мягкой щёткой или сухой тканью.
- Регулярно очищайте корпус двигателя влажной тканью. Не используйте абразивные чистящие средства, а также чистящие средства на основе растворителей.
- Регулярно раскрывайте патрон (при наличии) и вытряхивайте из него всю накопившуюся пыль.

## Защита окружающей среды



Раздельный сбор отходов. Запрещается утилизировать этот продукт вместе с обычными бытовыми отходами.

Если вы решите, что ваше изделие BLACK+DECKER необходимо заменить, или если вы не будете его больше использовать, не утилизируйте его вместе с бытовыми отходами. Этот продукт подлежит раздельному сбору отходов.



Раздельный сбор использованных продуктов и упаковочных материалов позволяет производить их вторичную переработку с дальнейшим повторным использованием. Повторное использование материалов, прошедших вторичную переработку, снижает загрязнение окружающей среды и уменьшает потребность в сырьевых материалах.

Нормативные акты местных органов власти могут предусматривать сбор использованных электрических изделий отдельно от бытовых отходов, в муниципальных пунктах сбора отходов или в магазине при покупке нового изделия.

BLACK+DECKER предоставляет возможность для сбора и повторной переработки продуктов BLACK+DECKER после окончания срока их службы. Чтобы воспользоваться преимуществом этого сервиса, пожалуйста, отправьте ваш продукт любому уполномоченному представителю по ремонту, который собирает такие изделия от нашего имени.

Вы можете узнать адрес нашего ближайшего уполномоченного представителя по ремонту, позвонив в региональное представительство BLACK+DECKER, указанное в этой инструкции. Кроме того, список уполномоченных представителей по ремонту BLACK+DECKER, подробная информация о послепродажном обслуживании и контактные данные можно найти на сайте [www.2helpU.com](http://www.2helpU.com).

**Технические характеристики**

CS1550		
Входное напряжение	В перем. тока	220-240
Потребляемая мощность	Вт	1500
Число оборотов без нагрузки	об/мин.	5500
Макс. глубина пропила	мм	66
Диаметр пильного диска	мм	190
Диаметр посадочного отверстия	мм	16
Ширина шага зубьев	мм	1,8
Вес	кг	3,9 (4,31 вместе с диском)

**Уровень звукового давления в соответствии с EN 60745:**

Звуковое давление ( $L_{pA}$ ) 89,0 дБ(А),  
погрешность (К) 3 дБ(А)

Акустическая мощность ( $L_{wA}$ ) 100 дБ(А),  
погрешность (К) 3 дБ(А)

**Сумма величин вибрации (сумма векторов по трём осям), измеренных в соответствии со стандартом EN 60745:**

Значения вибрационного воздействия ( $a_{h,w}$ ) 2,6м/с<sup>2</sup>,  
Погрешность (К) 1,5м/с<sup>2</sup> (пиление древесины)

**Декларация соответствия ЕС**

ДИРЕКТИВА ПО МЕХАНИЧЕСКОМУ  
ОБОРУДОВАНИЮ

**CS1550-дисковая пила**

BLACK+DECKER заявляет, что продукты, обозначенные в разделе «Технические характеристики», полностью соответствуют стандартам: 2006/42/EC, EN60745-1:2010, EN60745-2-5:2010

Данные продукты также соответствуют Директивам 2014/30/EU и 2011/65/EU.

За дополнительной информацией обращайтесь в BLACK+DECKER по указанному ниже адресу или по адресу, указанному на последней странице руководства.

Нижеподписавшееся лицо полностью отвечает за соответствие технических данных и делает это заявление от имени фирмы BLACK+DECKER.

**R. Laverick**

Руководитель отдела технических разработок  
BLACK+DECKER Europe, 210 Bath Road,  
Slough,  
Berkshire, SL1 3YD  
United Kingdom  
01.2017



## Гарантийные условия

### Уважаемый покупатель!

1. Поздравляем Вас с покупкой высококачественного изделия Black + Decker и выражаем признательность за Ваш выбор.
2. При покупке изделия требуйте проверки его комплектности и исправности в Вашем присутствии, инструкцию по эксплуатации и заполненный гарантийный талон на русском языке.

В гарантийном талоне должны быть внесены: модель, дата продажи, серийный номер, дата производства инструмента; название, печать и подпись торговой организации. При отсутствии у Вас правильно заполненного гарантийного талона мы будем вынуждены отклонить Ваши претензии по качеству данного изделия.

3. Во избежание недоразумений убедительно просим Вас перед началом работы с изделием внимательно ознакомиться с инструкцией по его эксплуатации.

Правовой основой настоящих гарантийных условий является действующее Законодательство.

Гарантийный срок на данное изделие составляет 24 месяца и исчисляется со дня продажи. В случае устранения недостатков изделия, гарантийный срок продлевается на период его нахождения в ремонте. Срок службы изделия - 5 лет со дня продажи.

4. В случае возникновения каких-либо проблем в процессе эксплуатации изделия рекомендуем Вам обращаться только в уполномоченные сервисные центры Black + Decker, адреса и телефоны которых Вы сможете найти в гарантийном талоне, на сайте [www.2helpU.com](http://www.2helpU.com) или узнать в магазине. Наши сервисные станции - это не только квалифицированный ремонт, но и широкий ассортимент запчастей и принадлежностей.
5. Производитель рекомендует проводить периодическую проверку и техническое обслуживание изделия в уполномоченных сервисных центрах.

6. Наши гарантийные обязательства распространяются только на неисправности, выявленные в течение гарантийного срока и вызванные дефектами производства и \ или материалов.
7. Гарантийные обязательства не распространяются на неисправности изделия, возникшие в результате:
  - 7.1. Несоблюдения пользователем предписаний инструкции по эксплуатации изделия, применения изделия не по назначению, неправильном хранении, использования принадлежностей, расходных материалов и запчастей, не предусмотренных производителем.
  - 7.2. Механического повреждения (сколы, трещины и разрушения) внутренних и внешних деталей изделия, основных и вспомогательных рукояток, сетевого электрического кабеля, вызванного внешним ударным или любым иным воздействием.
  - 7.3. Попадания в вентиляционные отверстия и проникновение внутрь изделия посторонних предметов, материалов или веществ, не являющихся отходами, сопровождающими применение изделия по назначению, такими как: стружка, опилки, песок, и пр.
  - 7.4. Воздействие на изделие неблагоприятных атмосферных и иных внешних факторов, таких как дождь, снег, повышенная влажность, нагрев, агрессивные среды, несоответствие параметров питающей электросети, указанным на инструменте.
  - 7.5. Стихийного бедствия. Повреждение или утрата изделия, связанное с непредвиденными бедствиями, стихийными явлениями, в том числе вследствие действия непреодолимой силы (пожар, молния, потоп и другие природные явления), а так же вследствие перепадов напряжения в электросети и другими причинами, которые находятся вне контроля производителя.
8. Гарантийные условия не распространяются:
  - 8.1. На инструменты, подвергавшиеся вскрытию, ремонту или модификации вне уполномоченной сервисной центра.
  - 8.2. На детали и узлы, имеющие следы естественного износа, такие как: приводные ремни и колеса, угольные щетки, смазка, подшипники, зубчатое зацепление редукторов, резиновые уплотнения, сальники, направляющие ролики, муфты, выключатели, бойки, толкатели, стволы и т.п.
  - 8.3. На сменные части: патроны, цанги, зажимные гайки и фланцы, фильтры, аккумуляторные батареи, ножи, шлифовальные подошвы, цепи, звездочки, пильные шины, защитные кожухи, пилки, абразивы, пильные и абразивные диски, фрезы, сверла, буры и т.п.
  - 8.4. На неисправности, возникшие в результате перегрузки инструмента (как механической, так и электрической), повлекшей выход из строя одновременно двух и более деталей и узлов, таких как: ротора и статора, обеих обмоток статора, ведомой и ведущей шестерни редуктора и других узлов и деталей. К безусловным признакам перегрузки изделия относятся, помимо прочих: появление цветов побежалости, деформация или оплавление деталей и узлов изделия, потемнение или облуживание изоляции проводов электродвигателя под воздействием высокой температуры.



Изготовитель

Блэк энд Декер Холдингс ГмБХ  
Германия, 65510, Идштайн,  
ул. Блэк энд Декер, 40



## Приложение к руководству по эксплуатации электроинструмента

### Пилы дисковые

CS1250\*, CS1550\*, FME301\*, CS1004\*, KS1300\* - Сделано в Китае.

Где символ "\*" - различные варианты исполнения изделия.

Сертификат №: RU C-DE.AЯ46.B.77535

Действителен до: 24 ноября 2019 г.

Выдан: Орган по сертификации "РОСТЕСТ- Москва" ЗАО  
"Региональный орган по сертификации и тестированию",  
Адрес: 119049, г. Москва, улица Житная, д. 14, стр. 1;  
117418, Москва, Нахимовский просп., 31 (фактический),  
Телефон: (499) 1292311, (495) 6682893; Факс: (495) 6682893,  
E-mail: office@rostest.ru,

Изготовитель: Блэк энд Деккер Холдингс ГмбХ

Германия, 65510, Идштайн,

ул. Блэк энд Деккер, 40а

#### Хранение.

Необходимо хранить в сухом месте, вдали от источников повышенных температур и воздействия солнечных лучей. При хранении необходимо избегать резкого перепада температур. Хранение без упаковки не допускается

#### Срок службы.

Срок службы изделия составляет 5 лет. Не рекомендуется к эксплуатации по истечении 5 лет хранения с даты изготовления без предварительной проверки.  
Дата изготовления (код даты) указана на корпусе инструмента. Код даты, который также включает год изготовления, отштампован на поверхности корпуса изделия.

Пример:

2014 46 XX, где 2014 –год изготовления, 46-неделя изготовления.

Определить месяц изготовления по указанной неделе изготовления можно согласно приведенной ниже таблице.

Уполномоченное изготовителем юр.лицо:

ООО "Стэнли Блэк энд Деккер", 117485, город Москва, улица Обручева, дом 30/1, строение 2

Телефон: + 7 (495) 258-3981, факс: + 7 (495) 258-3984, E-mail: inbox@dewalt.com

Сведения о импортере указаны в сопроводительной документации и/или на упаковке

#### Транспортировка.

Категорически не допускается падение и любые механические воздействия на упаковку при транспортировке.

При разгрузке/погрузке не допускается использование любого вида техники, работающей по принципу зажима упаковки.

#### Перечень критических отказов, возможные ошибочные действия персонала.

Не допускается эксплуатация изделия:

- При появлении дыма из корпуса изделия
- При поврежденном и/или оголенном сетевом кабеле
- при повреждении корпуса изделия, защитного кожуха, рукоятки
- при попадании жидкости в корпус
- при возникновении сильной вибрации
- при возникновении сильного искрения внутри корпуса

#### Критерии предельных состояний

- При поврежденном и/или оголенном сетевом кабеле
- при повреждении корпуса изделия

Месяц	Январь	Февраль	Март	Апрель	Май	Июнь	Июль	Август	Сентябрь	Октябрь	Ноябрь	Декабрь	Год производства	
Неделя	01	05	09	14	18	22	27	31	36	40	44	49	2014	
	02	06	10	15	19	23	28	32	37	41	45	50		
	03	07	11	16	20	24	29	33	38	42	46	51		
	04	08	12	17	21	25	30	34	39	43	47	52		
	05	09	13	18	22	26	31	35	40	44	48			
Неделя			14			27							2015	
	01	05	09	14	18	23	27	31	36	40	44	49		
	02	06	10	15	19	24	28	32	37	41	45	50		
	03	07	11	16	20	25	29	33	38	42	46	51		
	04	08	12	17	21	26	30	34	39	43	47	52		
Неделя			09	13	18	22	27	31	35	40	44	48	2016	
			14					36			49			
	01	05	09	13	17	22	26	31	35	39	44	48		
	02	06	10	14	18	23	27	32	36	40	45	49		
	03	07	11	15	19	24	28	33	37	41	46	50		
Неделя	04	08	12	16	20	25	29	34	38	42	47	51	2017	
			09	13	17	21	26	30	35	39	43	48		52
					22				44					
	01	05	09	13	18	22	26	31	35	39	44	48		
	02	06	10	14	19	23	27	32	36	40	45	49		
		07	11	15	20	24	28	33	37	41	46	50		
		08	12	16	21	25	29	34	38	42	47	51		
		09	13	17	22	26	30	35	39	43	48	52		
						31			44					

## Призначення

Ваша циркулярна пила виробництва BLACK + DECKER™ CS1550 призначена для пиляння дерева та лісоматеріалів. Цей інструмент призначений тільки для побутового використання

## Вказівки з техніки безпеки

### Загальні попередження з техніки безпеки



**Увага! Уважно прочитайте всі попереджувальні написи та вказівки з техніки безпеки.** Порушення наведених нижче попереджувальних написів і вказівок може призвести до ураження електричним струмом, пожежі та (або) серйозних травм

**Збережіть усі застереження та вказівки з техніки безпеки для подальшого використання.** Термін «електричний інструмент», що використовується в усіх наведених нижче застереженнях та вказівках з техніки безпеки, стосується цього електричного інструмента з живленням від мережі (через шнур живлення) чи від акумуляторної батареї (без шнура живлення).

### 1. Безпека на робочому місці

**a. Робоче місце має бути приборане й добре освітлене.** Безлад або погане освітлення на робочому місці може призвести до нещасного випадку.

**b. Забороняється використання електричного інструмента у вибухонебезпечному середовищі, наприклад, в умовах наявності легкозаймистих рідин, газів або пилу.** Іскри, що виникають під час роботи електричного інструмента, можуть призвести до займання пилу чи випарів.

**c. Дітям та стороннім особам забороняється перебувати в місцях виконання робіт із використанням електричного інструмента.** Відволікання може призвести до втрати контролю за роботою інструмента.

### 2. Електрична безпека

**a. Вилка шнура живлення інструмента повинна відповідати мережеві розетці. Забороняється вносити будь-які зміни у вилку шнура живлення. Не використовуйте жодних вилок-перехідників із заземленими (зануленими) електроінструментами.** Відсутність змін у вилках шнурів живлення та відповідність електричних вилок і розеток знижує ризик ураження електричним струмом.

**b. Не торкайтеся поверхонь заземлених чи занулених предметів, наприклад труб, радіаторів, електроплит або холодильників.** Заземлення чи занулення тіла

підвищує ризик ураження електричним струмом.

**c. Забороняється піддавати електричні інструменти впливу дощу чи підвищеної вологості.** При попаданні вологи всередину електричного інструмента підвищується ризик ураження електричним струмом.

**d. Забороняється пошкоджувати шнур живлення. У жодному разі не використовуйте шнур живлення для перенесення чи зміни положення інструмента; не тягніть за шнур, виймаючи вилку з розетки. Не прокладайте шнур живлення поруч із гарячими предметами, мастилом, гострими кроями і рухомими деталями.** Пошкодження й заплутування шнурів живлення підвищує ризик ураження електричним струмом.

**e. Під час роботи з електричним інструментом за межами приміщень використовуйте відповідний подовжувач.** Використання подовжувача, призначеного для роботи поза приміщеннями, знижує ризик ураження електричним струмом.

**f. Якщо електричним інструментом необхідно користуватись у вологому місці, слід використовувати пристрій захисного відключення (ПЗВ) електричної мережі.** Використання ПЗВ знижує ризик ураження електричним струмом

### 3. Безпека персоналу

**a. Під час роботи з електричним інструментом необхідно бути обачним, слідкувати за виконаною роботою та керуватися здоровим глуздом.** Забороняється працювати з електричним інструментом у стані втоми чи під впливом наркотиків, алкоголю й лікарських препаратів. Ослаблення уваги навіть на мить може призвести до серйозної травми.

**b. Використовуйте засоби індивідуального захисту.** Завжди надягайте засоби захисту очей. Використання у відповідних умовах засобів індивідуального захисту, наприклад пилозахисної маски, протиковзного захисного взуття, захисної каски або засобів захисту органів слуху, завжди знижує ризик отримання травми.

**c. Не допускайте ненавмисного вмикання інструмента. Перш ніж підключити джерело живлення або акумулятор, піднімаючи або несучи інструмент, перевірте, щоб його вимикач знаходився у вимкненому положенні.** Якщо тримаєти палець на вимикачі під час перенесення інструмента чи підключення увімкненого інструмента до мережі, це підвищує ризик нещасного випадку.

- d. Перш ніж увімкнути електричний інструмент, обов'язково вийміть із нього регульовальний чи гайковий ключ.** Ключ, залишений ключ на обертальній деталі інструмента, може призвести до травмування.
- e. Не намагайтеся дотягнутися до важкодоступних місць. Завжди міцно тримайтеся на ногах і зберігайте рівновагу під час роботи.** Це дозволяє краще контролювати електричний інструмент у непередбачуваних ситуаціях.
- f. Одягайте відповідний одяг. Забороняється одягати вільний одяг або прикраси.** Волосся, одяг та рукавиці повинні знаходитися на максимальній відстані від рухомих деталей інструмента. Вільний одяг, прикраси або довге волосся можуть бути захоплені рухомими деталями.
- g. Якщо встановлені пристрої підключення засобів пиловловлювання та пилозбірників, необхідно перевіряти, щоб вони були підключені та використовувалися належним чином.** Використання засобів пиловловлювання знижує рівень ризику, пов'язаного з наявністю пилу в повітрі.
- 4. Використання та догляд за електричним інструментом**
- a. Не застосовуйте надмірне зусилля до електричного інструмента. Використовуйте електричний інструмент тільки за призначенням.** Правильно підібраний електроінструмент дозволить виконати роботу краще і безпечніше при швидкості, для якої він був розроблений.
- b. Не використовуйте інструмент із несправним вимикачем.** Будь-який електричний інструмент, роботою якого не можна керувати за допомогою його вимикача, являє собою небезпеку та підлягає обов'язковому ремонту.
- c. Перед виконанням регулювання електричного інструмента, заміною його приладдя та постановкою на зберігання необхідно вийняти вилку його шнура живлення з розетки та/або дістати з нього акумулятор.** Така превентивна міра безпеки знижує ризик випадкового ввімкнення інструмента.
- d. Зберігайте електричний інструмент, який в даний момент не використовується, в недоступному для дітей місці та не дозволяйте працювати з інструментом особам, які не знайомі з ним або з цими**
- вказівками.** Електричний інструмент є небезпечним в руках ненавченої людини.
- e. Підтримуйте інструмент в робочому стані. Перевіряйте центровку та з'єднання рухомих деталей, наявність пошкоджених деталей та будь-які фактори, які можуть негативно позначитися на роботі електричного інструмента. У разі виявлення пошкодження електричний інструмент необхідно відремонтувати перед використанням.** Багато нещасних випадків трапляється через неналежне технічне обслуговування електричних інструментів.
- f. Ріжучі інструменти повинні бути нагостреними й чистими.** Підтримуваний у належному робочому стані ріжучий інструмент з гострими лезами менше застряє, ним легше керувати.
- g. Використовуйте електричний інструмент, приладдя, вставні різці тощо відповідно до цієї інструкції, враховуючи умови експлуатації та роботу, яку потрібно виконати.** Використання електричного інструмента всупереч призначенню може призвести до виникнення небезпечної ситуації.
- 5. Обслуговування**
- a. Обслуговувати електричний інструмент повинен тільки кваліфікований ремонтний персонал, і при цьому повинні використовуватися тільки оригінальні запасні деталі.** Це забезпечить утримання електричного інструмента у безпечному стані.
- Додаткові застереження з техніки безпеки роботи з електричним інструментом**
- Увага!** Додаткові застереження щодо безпечної роботи пилок
- a. Руки не повинні знаходитися поблизу ділянки різання і пильного диску. Другою рукою ви повинні тримати допоміжну ручку або підтримувати корпус двигуна.** Якщо обидві руки будуть тримати пилку, диск не зможе їх порізати.
- b. Не доводьте пилку до нижнього краю оброблюваної деталі.** Захисний щиток не може захистити вас від диска під робочою деталлю.
- c. Відрегулюйте глибину різі відповідно до товщини робочої деталі.** Під робочою деталлю має бути видно менше повної довжини зуба диска.

- d. Ніколи не тримайте розрізану деталь в руках або на ногах. Закріпіть робочу деталь на стійкій основі.** Щоб звести до мінімуму небезпеку отримання пошкоджень, ризик заклинювання диска і втрати контролю над інструментом, важливо належним чином підтримувати робочу деталь.
- e. Під час виконання робіт, коли ріжуча деталь електричного інструмента може контактувати з прихованою електропроводкою або зі своїм шнуром, інструмент необхідно тримати за діелектричну поверхню.** При контакті ріжучої деталі з проводом, що під напругою, під напругу можуть потрапити металеві деталі електричного інструмента, внаслідок чого виникає небезпека ураження оператора електричним струмом.
- f. При поздовжньому пилянні завжди використовуйте направляючу планку або лінійку.** Це підвищить точність різку та зменшить ризик заклинювання диска.
- g. Завжди використовуйте диски з точним розміром і формою (ромб проти кола) осьового отвору.** Диски, що не відповідають елементам кріплення пили, будуть обертатися ексцентрично, що призведе до втрати контролю над інструментом.
- h. Ніколи не використовуйте пошкоджені або невідповідні шайби чи болт для диска.** Шайби та болт для диска були спеціально розроблені для вашої пилки для досягнення оптимальних робочих характеристик і безпечної роботи.

## Додаткові вказівки з безпеки для всіх пилок

Причини віддачі та запобігання її оператором:

- віддача є миттєвою реакцією на защемлення, заїдання або розцентровку пильного диска, коли пилка неконтрольовано піднімається вгору та виходить з робочої деталі в напрямку до оператора;
- коли диск защемлюється або щільно застрягає в пропили, він зупиняється і реакція двигуна швидко відводить пилку назад до оператора;
- якщо диск викривляється або втрачає співвісність у пропили, зуби в задній кромці диска можуть зайти у верхню поверхню дерева, внаслідок чого диск піде з пропила і відскочить на оператора.

Віддача є результатом неправильного використання інструмента та/або неправильної

послідовності виконання дій і неправильних умов роботи та може бути усунена при дотриманні заходів безпеки, зазначених нижче:

- a. Міцно тримайте двома руками пилку й виберіть таке положення рук, щоб вони протидіяли силам віддачі.** Тулуб оператора повинен знаходитися з будь-якого боку від пильного диска, але ні в якому разі не на одній з ним лінії. Віддача може призвести до того, що пилку буде відкинуто назад, але якщо вжити належних заходів обережності, оператор зможе контролювати сили віддачі.
- b. Якщо диск заклинило, або з будь-якої причини припинилося пиляння, відпустіть пускову кнопку й утримуйте без руху пилку в матеріалі доти, доки диск не зупиниться повністю.** У таких випадках ніколи не намагайтеся виїняти пилку з робочої деталі або потягнути пилку назад, доки диск ще обертається, інакше може трапитись віддача. Вивчіть причину заклинювання пильного диска і прийміть заходи щодо її усунення.
- c. При повторному включенні пилки в робочій деталі виставте центральне положення пильного диска в пропили та переконайтеся, що зуби диска не перебувають в зачепленні матеріалом.** Якщо диск заклинило, при повторному включенні пилки її може бути відкинуто вгору або назад від робочої деталі.
- d. Встановіть опори під великими дошками, щоб звести до мінімуму ризик заклинювання й появи віддачі.** Великі робочі деталі мають властивість прогинатися під дією власної ваги. Опори повинні встановлюватися під дошкою з обох боків, поблизу лінії пропила й поблизу краю дошки.
- e. Забороняється використовувати тупі або пошкоджені пилкові диски.** Незаточені або неправильно встановлені пилкові диски роблять вузькі пропили, що призводить до зайвого тертя, заклинювання диска й появи віддачі.
- f. Перед виконанням пиляння повинні бути закріплені важелі фіксації регулювання кута скосу фаски та глибини диска.** Якщо під час пиляння регулювання диска зсувається, це може призвести до заклинювання диска й віддачі.
- g. Будьте дуже уважні під час пиляння існуючих стін та інших ділянок, які недосяжні для огляду.** Диск, що виступає вперед, може наштотхнутися й почати різати сторонній об'єкт, через що може утворитись віддача.



**Вказівки щодо безпечної роботи циркулярних пилок із зовнішнім і внутрішнім маятниковим захистом і з причіпним захистом**

**a. Кожного разу перед початком роботи переконайтеся, що нижній захисний щиток закритий належним чином. Забороняється працювати пилкою, якщо нижній захисний щиток не може вільно рухатися й відразу закриватися.** Забороняється затискати або закріплювати нижній захисний щиток в розкритому положенні. Якщо пилака випадково впаде, нижній захисний щиток може погнутися. Підніміть нижній захисний щиток висувною ручкою і переконайтеся, що він вільно рухається й не торкається диска та інших деталей при всіх кутах і глибинах пиляння.

**b. Перевірте спрацьовування пружини нижнього захисного щитка. Якщо щиток і пружина належним чином не працюють, необхідно виконати їх ремонт до початку роботи пилки.** Нижній захисний щиток може працювати повільно внаслідок пошкоджених деталей, липкого нальоту або відкладення частинок відходів.

**c. Нижній захисний щиток можна засовувати руками тільки в особливих випадках пиляння, таких як глибоке пиляння і складене пиляння.** Підніміть нижній захисний щиток за висувну ручку, і щойно пильний диск увійде в матеріал, щиток треба буде відпустити. У всіх інших

випадках пиляння нижній захисний щиток повинен працювати автоматично.

**d. Перед тим як поставити пилку на верстак або на підлогу, завжди переконайтесь, що нижній захисний щиток закриває диск.** Через незакритий диск, що обертається за інерцією, пила почне рухатися назад і буде різати все, що трапиться їй на шляху. Необхідно знати, скільки проходить часу від виключення пилки до повної зупинки диска.

**Залишкові ризики.**

Роботі з пилкою спочатку притаманні наступні ризики:

- Травми, отримані при торканні обертових деталей.

Навіть при дотриманні всіх відповідних правил техніки безпеки та використанні захисних пристроїв деякі залишкові ризики все ж залишаються. Це такі небезпеки:

- Погіршення слуху.

- Небезпека нещасного випадку через незакриті частини обертового пильного диска.
- Ризик травмування при заміні пильного диска.
- Ризик защемлення пальців при розкритті захисних щитків.
- Шкода для здоров'я, викликана вдиханням пилу, яка з'являється під час роботи з деревом, особливо з дубом, буком або ДВП.

**Пилкові диски**

- Не використовуйте пилкові диски, діаметр яких відрізняється від рекомендованого діаметру. Номінальні характеристики пильного диска дивіться в розділі технічних даних. Використовуйте тільки ті пилкові диски, які вказані в цій інструкції та які відповідають EN 847-1.

**Увага!** Забороняється використовувати абразивні диски.

Безпека інших осіб

- Цей інструмент не призначений для використання особами (включаючи дітей) з обмеженими фізичними, сенсорними або розумовими здібностями або особами, у яких відсутній необхідні досвід і знання, крім випадків, коли вони знаходяться під наглядом і отримали належні вказівки по роботі з інструментом від особи, відповідальної за їхню безпеку.
- Щоб діти не гралися з інструментом, вони повинні знаходитися під наглядом.

**Вібрація**

Рівні вібрації, зазначені в технічних даних та декларації відповідності, були виміряні у відповідності зі стандартним методом випробувань, викладеним в EN 60745, і можуть використовуватися для порівняння інструментів. Заявлений рівень вібрації може також використовуватися для попередньої оцінки їх впливу.

**Увага!** Рівень вібрації під час роботи електричного інструмента може відрізнитися від заявленого рівня вібрації, оскільки він залежить від конкретно виконуваної інструментом роботи. Рівень вібрації може бути вищим від встановленого рівня.

Оцінку впливу вібрації для визначення заходів безпеки, необхідних за 2002/44/ЕС для захисту осіб, які постійно працюють з електричними інструментами, слід проводити з урахуванням реальних умов використання і способу використання інструмента, включаючи всі деталі

робочого циклу, такі як час автоматичного вимкнення та час неробочого ходу додатково до часу запуску.

## Наклейки на інструменті

Наклейка на вашому інструменті може містити наступні символи

	Прочитайте інструкцію з експлуатації	Hz ..... Герци		..... Конструкція Клас II
	Використовуйте засоби захисту очей	W ..... Вати		..... Клема заземлення
	Використовуйте засоби захисту органів слуху	min ..... Хвилини		..... Попереджувальний знак
V ..... Вольти			...../min.....	Кількість обертів або зворотно-поступальних рухів за хвилину
A ..... Ампери			...../min.....	Кількість обертів або зворотно-поступальних рухів за хвилину
		no ..... Швидкість холостого ходу		

## Положення штрих-коду з датою

Штрих-код з датою, який також включає рік виготовлення, надрукований на корпусі. Приклад:

2017 XX JN  
Рік виготовлення

## Електрична безпека



Цей інструмент має подвійну ізоляцію, тож дріт заземлення йому не потрібен. Завжди перевіряйте, щоб мережева напруга відповідала значенню, зазначеному в таблиці з паспортними даними.

- У разі пошкодження шнура живлення, його заміну повинен виконати виробник обладнання або уповноважений сервісний центр BLACK+DECKER.

## Функції

1. Вимикач
2. Кнопка фіксації
3. Головна ручка
4. Допоміжна ручка
5. Кнопка фіксації шпинделя
6. Черевик
7. Пильний диск
8. Захисний щиток для пильного диска
9. Захисна рукоятка
10. Отвір для видалення тирси

## Монтаж

**Увага!** Перш ніж приступити до виконання будь-якої з наступних операцій, переконайтесь, що інструмент вимкнений, вилка його шнура живлення вийнята з розетки і пильний диск не рухається.

## Зняття і прикріплення пильного диска (рис. А)

### Зняття

- Притримуйте кнопку блокування шпинделя (5) і повертайте диск доти, доки він не увійде в контакт з блокуванням шпинделя.
- Викриття і зніміть гвинт фіксації пильного диска (11), повертаючи його проти годинникової стрілки гайковим ключем (12), який входить в комплект поставки пилки.
- Зніміть зовнішню шайбу (13).
- Зніміть пильний диск (7).

### Прикріплення

- Встановіть пильний диск на внутрішній фланець (14) і переконайтесь, що стрілочка на диску спрямована в той же бік, що і стрілочка на інструменті.
- Встановіть зовнішню шайбу (13) на шпинделі таким чином, щоб її піднята частина була спрямована від пильного диска.
- Вставте гвинт фіксації пильного диска (11) у відповідний отвір.
- Натисніть кнопку блокування шпинделя (5).
- Закрутіть до упору гвинт фіксації пильного диска, повертаючи його за годинниковою стрілкою гайковим ключем (12), який входить в комплект поставки пилки.
- Відрегулюйте положення розклинюючого ножа, як описано нижче.

## Установка та зняття напрямної лінійки (рис. В)

- Напрямна лінійка використовується для пиляння по прямій лінії паралельно краю робочої деталі.

### Прикріплення

- Відкрутіть кнопку з фіксацією (16).
- Вставте направляючу лінійку (17) в отвори (18).
- Перемістіть напрямну лінійку в необхідне положення

- Закрутіть кнопку з фіксацією.

### Зняття

- Відкритіть кнопку з фіксацією.
- Зніміть направляючу лінійку з інструмента.

### Використання

**Увага!** Дайте можливість інструменту працювати із притаманною йому швидкістю. Не перевантажуйте його.

**Примітка.** Цей інструмент можна використовувати як правою, так і лівою рукою.

### Регулювання кута пиляння (рис. С)

За замовчуванням між дисковою пилкою і черевиком встановлений кут  $90^\circ$ .

- Щоб перевірити, що між дисковою пилкою і черевиком встановлений кут  $90^\circ$ , використовуйте кутник. Якщо вимірювання не дає кут  $90^\circ$ , відрегулюйте його наступним чином:
- Відкритіть кнопку з фіксацією (19), щоб розблокувати черевик пилки.
- Послабте контргайку (20) на регулювальному гвинті (21).
- Поверніть регулювальний гвинт, щоб отримати кут  $90^\circ$ .
- Затягніть контргайку.
- Закрутіть кнопку з фіксацією, щоб зафіксувати за місцем черевик пилки.

### Регулювання глибини різання (рис. D)

Глибина різання має встановлюватись відповідно до товщини робочої деталі. Вона повинна перевищувати товщину приблизно на 2 мм.

- Відкритіть ручку (22), щоб розблокувати черевик пилки.
- Перемістіть черевик пилки (6) в необхідне положення.

Відповідну глибину різання можна визначити на шкалі (23).

- Закрутіть ручку, щоб зафіксувати за місцем черевик пилки.

### Регулювання кута скосу кромки (рис. E)

У цьому інструменті можна встановлювати кут скосу кромки в межах від  $0^\circ$  до  $45^\circ$ .

- Відкритіть кнопку з фіксацією (19), щоб розблокувати черевик пилки.
- Перемістіть черевик пили (8) в необхідне положення. Відповідний кут скосу кромки можна визначити на шкалі (24).
- Закрутіть кнопку з фіксацією, щоб зафіксувати за місцем черевик пилки.

### Вмикання та вимикання

- Щоб включити інструмент, переведіть кнопку блокування (2) в положення розблокування й натисніть вимикач (1).
- Щоб вимкнути інструмент, відпустіть вимикач.

### Пиляння

Завжди тримайте інструмент двома руками.

- Перед початком пиляння дайте диску виконати вільне обертання кілька секунд.
- Під час пиляння прикладайте до інструмента тільки невелике зусилля.
- Працюйте з черевиком, затиснутим навпроти робочої деталі.

### Поради щодо ефективного використання інструмента

- Оскільки деякого відколу вздовж лінії різку на верхній стороні робочої деталі уникнути не можна, розріз треба робити з боку, де відкол є прийнятним.
- Якщо відкол повинен бути мінімізований, наприклад, при розрізі багат шарових матеріалів, затисніть шматок фанери зверху на робочій деталі.

### Використання візуальної направляючої (рис. F)

Цей інструмент обладнаний візуальною направляючою для прямолінійного пиляння.

- Вирівняйте лівий край направляючої (26) з лінією різку (25).
- Під час пиляння необхідно підтримувати центровку візуальної направляючої по лінії різку.
- Працюйте з черевиком, затиснутим навпроти робочої деталі.

## Уловлювання пилу (рис. G)

Для підключення пилососа або пиловловлювача до інструмента потрібно перехідник.

- Вставте перехідник для уловлювання пилу (27) в отвір для видалення тирси (10).
- Підключіть шланг (28) пилососа до перехідника.

## Технічне обслуговування

Конструкція вашого інструмента BLACK+DECKER розрахована на роботу протягом тривалого періоду часу при мінімальному технічному обслуговуванні. Тривала задовільна робота інструмента забезпечується належним доглядом і регулярним очищенням.

**Увага!** Перед виконанням будь-яких робіт з обслуговування інструмента з дротовим/бездротовим живленням

- Вимкніть пристрій / інструмент і відключіть від розетки шнур його живлення.
- Або вимкніть пристрій/інструмент і дістаньте з нього акумуляторну батарею, якщо пристрій/інструмент обладнаний окремим батарейним відсіком.
- Або дайте акумуляторній батареї розрядитися до кінця, якщо вона є вбудованою, потім вимкніть інструмент.
- Перед проведенням очищення зарядного пристрою вийміть його штепсельну вилку з розетки. Крім періодичної очистки, ваш зарядний пристрій не вимагає інших операцій технічного обслуговування.
- Регулярно очищуйте вентиляційні прорізи в інструменті, приладді та зарядному пристрої за допомогою м'якої щітки або сухої тканини.
- Регулярно очищуйте корпус двигуна за допомогою вологої тканини. Не використовуйте для очищення абразивні матеріали та засоби очищення на основі неводних розчинників.
- Регулярно розкривайте й вибивайте затискний патрон (якщо його встановлено) для видалення пилу з його внутрішньої частини.

## Захист навколишнього середовища



Роздільний збір відходів. Забороняється утилізувати цей продукт разом зі звичайними побутовими відходами.

Якщо ви вирішите, що ваш виріб BLACK+DECKER необхідно замінити, або якщо ви не будете його більше використовувати, не утилізуйте його разом із побутовими відходами. Цей продукт підлягає роздільному збору відходів.



Роздільний збір використаних продуктів та пакувальних матеріалів дозволяє здійснювати їх вторинну переробку з подальшим повторним використанням.

Використання матеріалів, що пройшли вторинну переробку, знижує забруднення навколишнього середовища та зменшує потребу в сировинних матеріалах.

Нормативні акти місцевих органів влади можуть передбачати збір використаних електричних виробів окремо від побутових відходів, в муніципальних пунктах збору відходів або в магазині при покупці нового обладнання.

Компанія BLACK+DECKER надає можливість для збору та повторної переробки продуктів BLACK+DECKER після закінчення терміну їх служби. Щоб скористатися перевагою цього сервісу, будь ласка, надішліть ваш продукт будь-якому уповноваженому представнику з ремонту, який збирає такі вироби від нашого імені.

Ви можете дізнатися адресу нашого найближчого уповноваженого представника з ремонту, зателефонувавши в регіональне представництво BLACK+DECKER, вказане в цій інструкції. Крім того,

список уповноважених представників з ремонту BLACK+DECKER, детальну інформацію про обслуговування після продажу та контактні дані можна знайти на сайті: [www.2helpU.com](http://www.2helpU.com).

**Технічні характеристики**

		CS1550
Вхідна напруга	В змінного струму	220-240
Споживана потужність	Вт	1500
Швидкість холостого ходу	Об./хвил.	5500
Максимальна глибина різання	мм	66
Діаметр диска	мм	190
Діаметр осьового отвору диска	мм	16
Ширина кромки диска	мм	1,8
Вага	кг	3,9 (4,31 з диском)

**Рівень звукового тиску згідно з EN 60745:**

Звуковий тиск ( $L_{pA}$ ) 89,0 дБ(А), розкид (К) 3 дБ(А)  
 Звукова потужність ( $L_{WA}$ ) 100 дБ(А), розкид (К) 3 дБ(А)

**Сумарні рівні вібрації (сума векторів по трьом осям) згідно EN 60745:**

Значення вібрації ( $a_{h,w}$ ) 2,6м/с<sup>2</sup>,  
 розкид (К) 1,5м/с<sup>2</sup> (різання дерева)

**Декларація відповідності ЄС**

ДИРЕКТИВА З МАШИННОГО ОБЛАДНАННЯ

**CS1550-циркулярна пила**

Компанія BLACK+DECKER заявляє, що вироби, описані в «технічних даних», відповідають: 2006/42/EC, EN60745-1:2010, EN60745-2-5:2010

Ці продукти також відповідають Директивам 2014/30/EU та 2011/65/EU.

Для отримання більш детальної інформації, будь ласка, зв'яжіться з компанією BLACK+DECKER за адресою, яка вказана нижче або на зворотній стороні інструкції.

Особа, що підписалася нижче, несе відповідальність за складання файлу з технічними даними та підписує цю декларацію від імені BLACK+DECKER.

**R.Laverick**

Головний інженер  
 BLACK+DECKER Europe, 210 Bath Road,  
 Slough,  
 Berkshire, SL1 3YD  
 United Kingdom (Великобританія)  
 01.2017

## Гарантія

Компанія BLACK+DECKER впевнена в якості своїх виробів та надає виняткову гарантію. Дана заява про гарантію доповнює і ні в якій мірі не порушує ваші законні права.

Якщо продукт виробництва BLACK+DECKER прийде в непридатність внаслідок неякісних матеріалів, неякісного виготовлення або невідповідності вимогам, BLACK+DECKER гарантує в межах 24-х місяців з дати продажу виконання заміни дефектних деталей, виконання ремонту виробів, які зазнали природного зносу, або виконання заміни таких виробів, для зведення до мінімуму незручностей для покупця, за винятком перерахованих нижче випадків:

- Даний продукт був використаний для продажу, на промислових роботах або здавався на прокат.
- Даний продукт використовувався неправильно або без належного догляду.
- Даному продукту було завдано збитків сторонніми предметами, речовинами або внаслідок надзвичайної події.
- Була здійснена спроба ремонту продукту особами, які не є уповноваженими представниками з ремонту або ремонтно-обслуговуючим персоналом BLACK+DECKER.

Щоб заявити претензію по гарантії, необхідно буде надати підтвердження покупки продавцю або уповноваженому представнику з ремонту. Ви можете дізнатися адресу вашого найближчого уповноваженого представника з ремонту, зателефонувавши в регіональне представництво BLACK+DECKER, вказане в цій інструкції. Крім того, список уповноважених представників з ремонту BLACK+DECKER, детальну інформацію про обслуговування після продажу та контактні дані можна знайти на сайті: [www.2helpU.com](http://www.2helpU.com)



Гарантійні умови

Шановний покупець!

1. Вітаємо Вас з покупкою високоякісного виробу BLACK + DECKER і висловлюємо вдячність за Ваш вибір.
2. При покупці виробу вимагайте перевірки його комплекtnості і справності у Вашій присутності, інструкцію з експлуатації та заповнений гарантійний талон українською мовою  
В гарантійному талоні повинні бути внесені: модель, дата продажу, серійний номер, дата виробництва інструменту; назва, печатка і підпис торгової організації. За відсутності у Вас правильно заповненого гарантійного талону, а також при невідповідності зазначених у ньому даних ми будемо змушені відхилити Ваші претензії щодо якості даного виробу.
3. Щоб уникнути непорозумінь, переконливо просимо Вас перед початком роботи з виробом уважно ознайомитися з інструкцією з його експлуатації. Правовою основою справжніх гарантійних умов є чинне Законодавство. Гарантійний термін на даний виріб складає 24 місяці і обчислюється з дня продажу. У разі усунення недоліків виробу, гарантійний строк продовжується на період його перебування в ремонті. Термін служби виробу становить 5 років з дня продажу.
4. У разі виникнення будь-яких проблем у процесі експлуатації виробу рекомендуємо Вам звертатися тільки в уповноважені сервісні центри BLACK + DECKER, адреси та телефони яких Ви зможете знайти в гарантійному талоні, на сайті [www.2helpU.com](http://www.2helpU.com) або дізнатися в магазині. Наші сервісні станції - це не тільки кваліфікований ремонт, але і широкий асортимент запчастин і аксесуарів.
5. Виробник рекомендує проводити періодичну перевірку і технічне обслуговування виробу в уповноважених сервісних центрах.
6. Наші гарантійні зобов'язання поширюються тільки на несправності, виявлені протягом гарантійного терміну і викликані дефектами виробництва та \ або матеріалів.
7. Гарантійні умови не поширюються на несправності виробу, що виникли в результаті:
  - 7.1 Недотримання користувачем приписів інструкції з експлуатації виробу, застосування виробу не за призначенням, неправильного зберігання, використання приладдя, витратних матеріалів і запчастин, що не передбачені виробником.

- 7.2 Механічного пошкодження (відколи, тріщини і руйнування) внутрішніх і зовнішніх деталей виробу, основних і допоміжних рукояток, мережевого кабелю, що викликані зовнішнім ударним або будь-яким іншим впливом
- 7.3 Потраплення у вентиляційні отвори та проникнення всередину виробу сторонніх предметів, матеріалів або речовин, що не є відходами, які супроводжують застосування виробу за призначенням, такими як: стружка, тирса, пісок, та ін.
- 7.4 Впливу на виріб несприятливих атмосферних і інших зовнішніх факторів, таких як дощ, сніг, підвищена вологість, нагрівання, агресивні середовища, невідповідність параметрів електромережі, що зазначені на інструменті.
- 7.5 Стихійного лиха. Пошкодження або втрати виробу, що пов'язані з непередбаченими лихами, стихійними явищами, у тому числі внаслідок дії непереборної сили (пожежа, блискавка, потоп і інші природні явища), а також внаслідок перепадів напруги в електромережі та іншими причинами, які знаходяться поза контролем виробника.
8. Гарантійні умови не поширюються:
  - 8.1 На інструменти, що піддавались розкриттю, ремонту або модифікації поза уповноваженим сервісним центром.
  - 8.2 На деталі, вузли та матеріали, що мають сліди природного зносу, такі як: приводні ремені і колеса, вугільні щітки, мастило, підшипники, зубчасті зчеплення редукторів, гумові ущільнення, сальники, направляючі ролики, муфти, вимикачі, бойки, шпатель, стволы тощо.
  - 8.3 На змінні частини: патрони, цанги, затискні гайки і фланці, фільтри, акумуляторні батареї, ножі, шліфувальні підшови, ланцюги, зірочки, пильні шини, захисні кожухи, пилки, абразиви, пильні і абразивні диски, фрези, свердла, бури тощо
  - 8.4 На несправності, що виникли в результаті перевантаження інструменту (як механічного, так і електричного), що спричинили вихід з ладу одночасно двох і більше деталей і вузлів, таких як: ротора і статора, обох обмоток статора, веденої і ведучої шестерень редуктора або інших вузлів і деталей. До безумовних ознак перевантаження виробу відносяться, крім інших: поява кольорів мініливості, деформація або оплавлення деталей і вузлів виробу, потемніння або обуглювання ізоляції проводів електродвигуна під впливом високої температури.



Виробник:  
"Stanley BLACK+DECKER Deutschland GmbH" Black-&-Decker Str.40, D-65510 Idstein, Німеччина

0660

