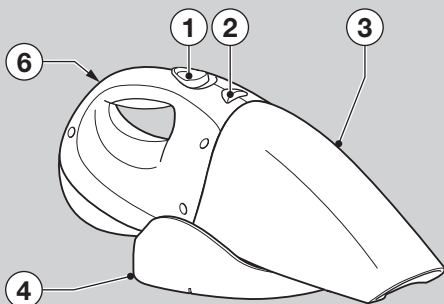
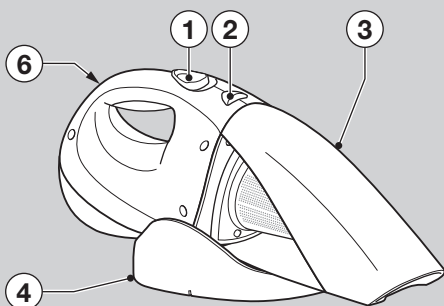
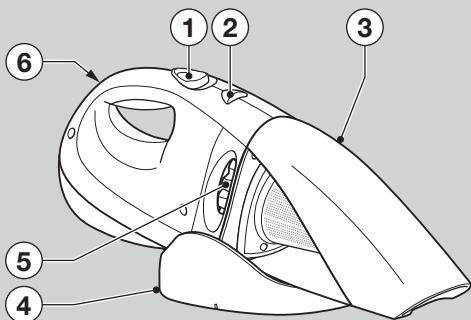
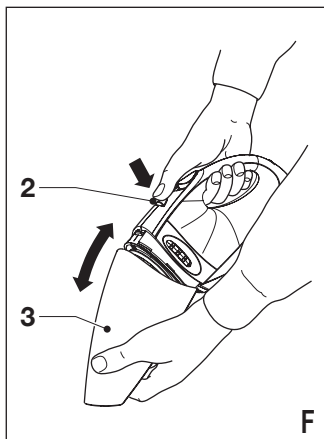
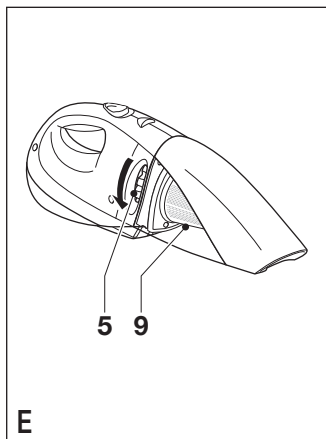
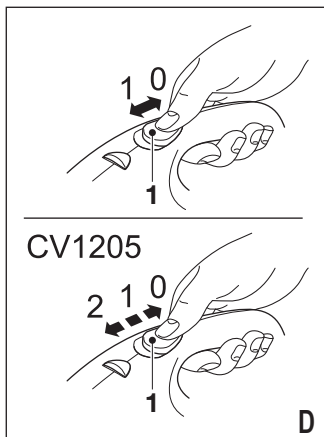
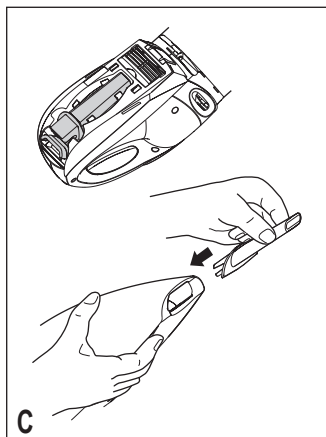
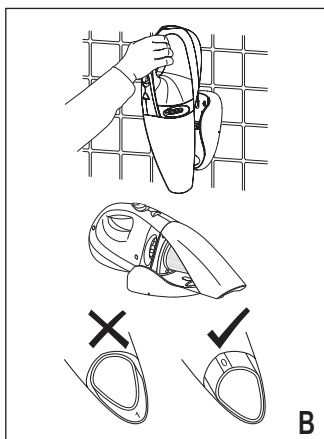
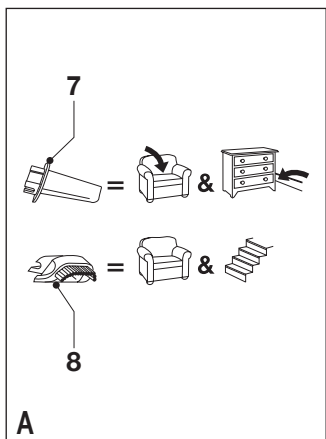


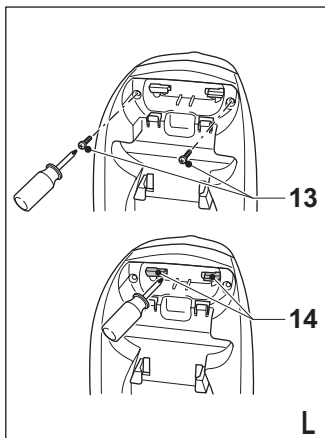
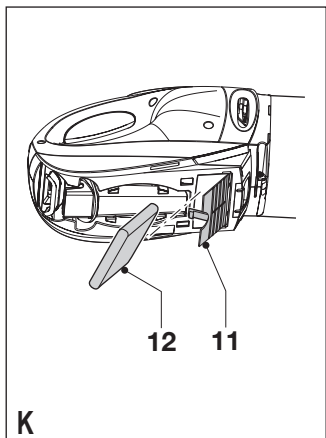
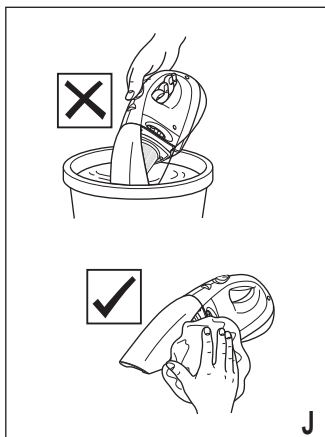
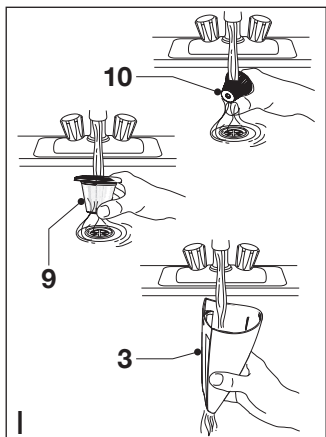
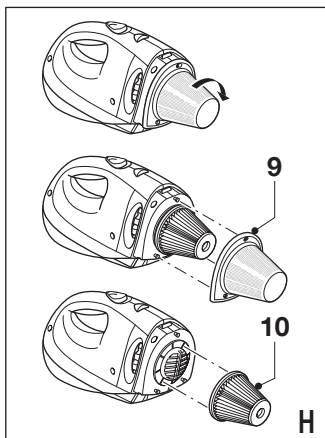
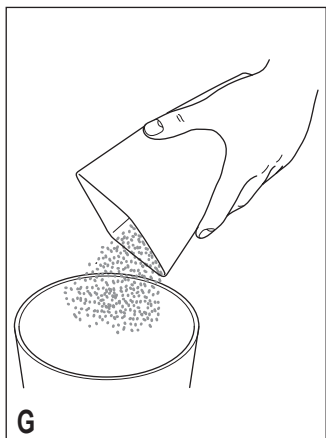
Powerful Solutions™

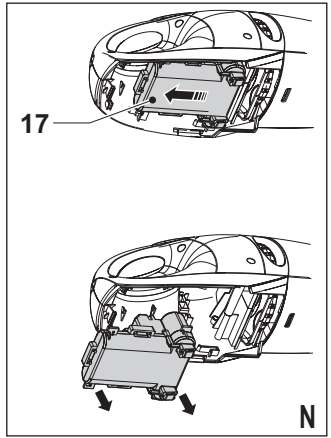
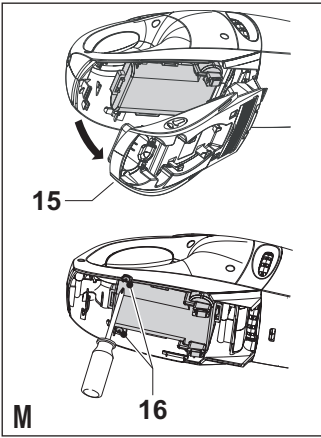


CV1205
CV7205
CV7205B
CV9605
CV9605G
CV9605H
CV9605P
V4805
V4805Y
V4806
V4807
V6005

English	(Original instructions)	6
Deutsch	(Übersetzung der Originalanleitung)	11
Français	(Traduction des instructions d'origine)	16
Italiano	(Traduzione delle istruzioni originali)	23
Nederlands	(Vertaling van de originele instructies)	30
Español	(Traducción de las instrucciones originales)	35
Português	(Tradução das instruções originais)	41
Svenska	(Översättning av de ursprungliga anvisningarna)	47
Norsk	(Oversettelse av de opprinnelige instruksjonene)	52
Dansk	(Oversættelse af de originale instruktioner)	57
Suomi	(Alkuperäisten ohjeiden käännös)	62
Ελληνικά	(Μετάφραση των αρχικών οδηγιών)	67
Türkçe	(Orijinal talimatların çeviri)	73







Intended use

Your Black & Decker Dustbuster® hand held vacuum cleaner has been designed for light dry vacuum cleaning purposes.

Safety instructions

- ◆ **Warning!** When using battery-powered appliances, basic safety precautions, including the following, should always be followed to reduce the risk of fire, leaking batteries, personal injury and material damage.
- ◆ Read this manual carefully before using the appliance.
- ◆ The intended use is described in this manual. The use of any accessory or attachment or the performance of any operation with this appliance other than those recommended in this instruction manual may present a risk of personal injury.
- ◆ Retain this manual for future reference.

Using your appliance

- ◆ Do not use the appliance to pick up liquids or any materials that could catch fire.
- ◆ Do not use the appliance near water. Do not immerse the appliance in water.
- ◆ Never pull the charger lead to disconnect the charger from the socket. Keep the charger lead away from heat, oil and sharp edges.

After use

- ◆ Unplug the charger before cleaning the charger or charging base.
- ◆ When not in use, the appliance should be stored in a dry place. Children should not have access to stored appliances.

Inspection and repairs

- ◆ Before use, check the appliance for damaged or defective parts. Check for breakage of parts, damage to switches and any other conditions that may affect its operation.
- ◆ Do not use the appliance if any part is damaged or defective.

- ◆ Have any damaged or defective parts repaired or replaced by an authorised repair agent.
- ◆ Regularly check the charger lead for damage. Replace the charger if the lead is damaged or defective.
- ◆ Never attempt to remove or replace any parts other than those specified in this manual.

Residual risks

Additional residual risks may arise when using the tool which may not be included in the enclosed safety warnings. These risks can arise from misuse, prolonged use, etc.

Even with the application of the relevant safety regulations and the implementation of safety devices, certain residual risks can not be avoided. These include:

- ◆ Injuries caused by touching any rotating/moving parts.
- ◆ Injuries caused when changing any parts, blades or accessories.
- ◆ Injuries caused by prolonged use of a tool. When using any tool for prolonged periods ensure you take regular breaks.
- ◆ Impairment of hearing.
- ◆ Health hazards caused by breathing dust developed when using your tool (example: working with wood, especially oak, beech and MDF).

Safety of others

- ◆ This appliance is not intended for use by persons (including children) with reduced physical, sensory or mental capabilities, or lack of experience and knowledge, unless they have been given supervision or instruction concerning use of the appliance by a person responsible for their safety.
- ◆ Children should be supervised to ensure that they do not play with the appliance.

Additional safety instructions for batteries and chargers

Batteries

- ◆ Never attempt to open for any reason.
- ◆ Do not expose the battery to water.
- ◆ Do not expose the battery to heat.
- ◆ Do not store in locations where the temperature may exceed 40 °C.
- ◆ Charge only at ambient temperatures between 10 °C and 40 °C.
- ◆ Charge only using the charger provided with the appliance/tool.
- ◆ When disposing of batteries, follow the instructions given in the section "Protecting the environment".
- ◆ Do not damage/deform the battery pack either by puncture or impact, as this may create a risk of injury and fire.
- ◆ Do not charge damaged batteries.
- ◆ Under extreme conditions, battery leakage may occur. When you notice liquid on the batteries, proceed as follows:
 - ◆ Carefully wipe the liquid off using a cloth. Avoid skin contact.
 - ◆ In case of skin or eye contact, follow the instructions below.

Warning! The battery fluid may cause personal injury or damage to property. In case of skin contact, immediately rinse with water. If redness, pain or irritation occurs seek medical attention. In case of eye contact, rinse immediately with clean water and seek medical attention.

Chargers

Your charger has been designed for a specific voltage. Always check that the mains voltage corresponds to the voltage on the rating plate.

Warning! Never attempt to replace the charger unit with a regular mains plug.

- ◆ Use your Black & Decker charger only to charge the battery in the appliance/tool with which it was supplied. Other batteries could burst, causing personal injury and damage.
- ◆ Never attempt to charge non-rechargeable batteries.

- ◆ If the supply cord is damaged, it must be replaced by the manufacturer or an authorised Black & Decker Service Centre in order to avoid a hazard.
- ◆ Do not expose the charger to water.
- ◆ Do not open the charger.
- ◆ Do not probe the charger.
- ◆ The appliance/tool/battery must be placed in a well ventilated area when charging.

Electrical safety

Your charger has been designed for a specific voltage. Always check that the mains voltage corresponds to the voltage on the rating plate. Never attempt to replace the charger unit with a regular mains plug.

Symbols on the charger



Your charger is double insulated; therefore no earth wire is required.



Fail safe isolating transformer. The mains supply is electrically separated from the transformer output.



The charger automatically shuts off if the ambient temperature becomes too high. As soon as the ambient temperature has decreased, the charger will resume operating.



The charger is intended for indoor use only.

Features

1. On/off switch
1. Two-speed on/off switch (CV1205)
2. Release button
3. Dust bowl
4. Charging base
5. Filter cleaning wheel (CV9605/ CV1205)
6. Charging indicator

Fig. A

7. Crevice tool
8. Brush tool

Installation

Fitting the charging base to the wall (fig. B)

The charging base can be placed on a worktop or fitted to the wall to provide a convenient storage and charging point for the appliance.

Assembly

Fitting the accessories (fig. A & C)

These models are supplied with the following accessories:

- ◆ a crevice tool (7) for confined spaces
- ◆ a brush tool (8) for furniture and stairs

To fit an accessory, proceed as follows:

- ◆ Take the accessories from the appliance.
- ◆ Insert the appropriate accessory into the front of the appliance.

Use

- ◆ Before first use, the battery must be charged for at least 24 hours.
- ◆ Place the appliance on the charging base whenever it is not in use.

Charging the battery (fig. B)

- ◆ Make sure that the appliance is switched off. The battery will not be charged with the on/off switch in the on position.
- ◆ Place the appliance on the charging base as shown.
- ◆ Plug in the charger. Switch on at the mains.

The charging indicator (6) will be lit.

- ◆ Leave the appliance to charge for at least 24 hours.

Whilst charging, the charger may become warm. This is normal and does not indicate a problem. The appliance can be left connected to the charger indefinitely. The charging indicator will be lit as long as the appliance is connected to the plugged-in charger.

Warning! Do not charge the battery at ambient temperatures below 10 °C or above 40 °C.

Switching on and off (fig. D)

- ◆ To switch the appliance on, slide the on/off switch (1) forward.
- ◆ To switch the appliance off, slide the on/off switch back.

CV1205/CV9605 - Optimising the suction force (fig. E)

In order to keep the suction force optimised, the filter must be cleared regularly during use.

- ◆ Rotate the wheel (5) a few turns to shake out dust clogging the filter (9).

Cleaning and maintenance

Warning! Regularly clean the filters.

Cleaning the dust bowl and filters (fig. F - J)

The filters are re-usable and should be cleaned regularly.

- ◆ Press the release button (2) and remove the dust bowl (3) (fig. F).
- ◆ Empty the dust bowl (fig. G).
- ◆ Remove the filters (9 & 10) by twisting them clockwise (fig. H).
- ◆ Brush any loose dust off the filters.
- ◆ Wash the filters in warm, soapy water (fig. I). The bowl can also be washed if necessary. Do not immerse the appliance in water (fig. J).
- ◆ Make sure the dust bowl and filters are dry.
- ◆ Refit the filters (9 & 10) onto the appliance, twisting them counterclockwise until they lock into place.
- ◆ Refit the dust bowl onto the appliance. Make sure the dust bowl clicks into place.

Warning! Never use the appliance without the filters. Optimum dust collection will only be achieved with clean filters and an empty dust bowl.

CV1205/CV7205/CV9605 - Cleaning the exhaust filter (fig. K)

- ◆ Open the lid (11).
- ◆ Remove the filter (12) from the recess.
- ◆ Wash the filter in warm, soapy water.
- ◆ Make sure the filter is dry.
- ◆ Refit the filter (12).
- ◆ Close the lid.

Replacing the filters

The filters should be replaced every 6 to 9 months and whenever worn or damaged. Replacement filters are available from your Black & Decker dealer (catalogue number: VF45 for CV9605H, catalogue number: VF40 for all other models).

- ◆ Remove the old filters as described above.
- ◆ Fit the new filters as described above.

Protecting the environment



Separate collection. This product must not be disposed of with normal household waste.

Should you find one day that your Black & Decker product needs replacement, or if it is of no further use to you, do not dispose of it with household waste. Make this product available for separate collection.



Separate collection of used products and packaging allows materials to be recycled and used again. Re-use of recycled materials helps prevent environmental pollution and reduces the demand for raw materials.

Local regulations may provide for separate collection of electrical products from the household, at municipal waste sites or by the retailer when you purchase a new product.

Black & Decker provides a facility for the collection and recycling of Black & Decker products once they have reached the end of their working life. To take advantage of this service please return your product to any authorised repair agent who will collect them on our behalf.

You can check the location of your nearest authorised repair agent by contacting your local Black & Decker office at the address indicated in this manual. Alternatively, a list of authorised Black & Decker repair agents and full details of our after-sales service and contacts are available on the Internet at: www.2helpU.com

Battery (fig. L - N)



Black & Decker batteries can be recharged many times. At the end of their useful life, discard batteries with due care for our environment.

If you want to dispose of the product yourself, the battery must be removed as described below and disposed of in accordance with local regulations.

- ◆ Preferably discharge the battery by operating the appliance until the motor stops.

The battery is located under the back end of the appliance.

- ◆ Take the accessories from the appliance.
- ◆ Remove the screws (13).
- ◆ Unlock the tabs (14) holding the accessory holder in place.
- ◆ Remove the accessory holder (15).
- ◆ Remove the screws (16) holding the battery in place.
- ◆ Slide the battery (17) backward as shown.
- ◆ Remove the battery.
- ◆ Place the battery in a suitable packaging to ensure that the terminals cannot be short-circuited.
- ◆ Take the battery to your service agent or a local recycling station.

Warning! Once removed, the battery cannot be refitted.

Technical data

	CV1205 H2	CV7205 H2 CV7205B H2
Voltage	V 12	7.2
Weight	kg 1.4	1.1

	CV9605 H2	V4805 H2
	CV9605G H2	V4805Y H2
	CV9605H H2	V4806 H2
	CV9605P H2	V4807 H2
Voltage	V 9.6	4.8
Weight	kg 1.3	0.9

	V6005 H2	
Voltage	V 6.0	
Weight	kg 1.0	

Charger

	**090020D	**100015D
Model	V48	V60
Input voltage	V_{AC} 230	230
Output voltage	V_{AC} 9	10
Amperage	mA 200	150
Approx. charging time	h 24	24
Weight	kg 0.3	0.3

	**110020D	**140020D
Model	CV72	CV96
Input voltage	V_{AC} 230	230
Output voltage	V_{AC} 11	14
Amperage	mA 200	200
Approx. charging time	h 24	24
Weight	kg 0.3	0.3

	CHA002014*	
Model	CV12	
Input voltage	V_{AC} 100-240	
Output voltage	V_{DC} 7.2-24	
Amperage	mA 85	
Approx. charging time	h 24	
Weight	kg 0.3	

Level of sound pressure according to EN 60704-1:

Sound pressure (L_{pa}) < 70 dB(A), uncertainty (K) 3 dB(A)

Guarantee

Black & Decker is confident of the quality of its products and offers an outstanding guarantee. This guarantee statement is in addition to and in no way prejudices your statutory rights. The guarantee is valid within the territories of the Member States of the European Union and the European Free Trade Area.

If a Black & Decker product becomes defective due to faulty materials, workmanship or lack of conformity, within 24 months from the date of purchase, Black & Decker guarantees to replace defective parts, repair products subjected to fair wear and tear or replace such products to ensure minimum inconvenience to the customer unless:

- ◆ The product has been used for trade, professional or hire purposes;
- ◆ The product has been subjected to misuse or neglect;
- ◆ The product has sustained damage through foreign objects, substances or accidents;
- ◆ Repairs have been attempted by persons other than authorised repair agents or Black & Decker service staff.

To claim on the guarantee, you will need to submit proof of purchase to the seller or an authorised repair agent. You can check the location of your nearest authorised repair agent by contacting your local Black & Decker office at the address indicated in this manual.

Alternatively, a list of authorised Black & Decker repair agents and full details of our after-sales service and contacts are available on the Internet at: www.2helpU.com

Please visit our website

www.blackanddecker.co.uk to register your new Black & Decker product and to be kept up to date on new products and special offers. Further information on the Black & Decker brand and our range of products is available at

www.blackanddecker.co.uk

Bestimmungsgemäße Verwendung

Ihr Black & Decker Dustbuster® wurde für leichte Trockenreinigungsarbeiten konstruiert.

Sicherheitshinweise

- ◆ **Achtung!** Bei der Verwendung von Akkugeräten sind zum Schutz gegen Feuergefahr, gegen Austreten der Akkufflüssigkeit sowie gegen Körper- und Sachschaden grundlegende Sicherheitsmaßnahmen einschließlich der folgenden Vorschriften zu beachten.
- ◆ Lesen Sie diese Anleitung gründlich durch, bevor Sie das Gerät verwenden.
- ◆ Die bestimmungsgemäße Verwendung ist in dieser Bedienungsanleitung beschrieben. Das Verwenden anderer als der in dieser Anleitung empfohlenen Vorsatzgeräte und Zubehörteile oder die Ausführung von Arbeiten mit diesem Gerät, die nicht der bestimmungsgemäßen Verwendung entsprechen, kann zu Unfallgefahren führen.
- ◆ Bewahren Sie diese Anleitung auf.

Gebrauch des Gerätes

- ◆ Saugen Sie keine Flüssigkeiten und kein feuergefährliches Material mit dem Gerät auf.
- ◆ Verwenden Sie das Gerät nicht in der Nähe von Wasser. Tauchen Sie das Gerät nicht in Wasser ein.
- ◆ Benutzen Sie nicht das Kabel des Ladegerätes, um den Stecker aus der Steckdose zu ziehen. Schützen Sie das Kabel des Ladegeräts vor Hitze, Öl und scharfen Kanten.

Nach der Verwendung

- ◆ Ziehen Sie vor dem Reinigen des Ladegeräts oder der Ladestation den Stecker.
- ◆ Das unbenutzte Gerät ist an einem trockenen Ort aufzubewahren. Kinder sollten keinen Zugang zu aufbewahrten Geräten haben.

Überprüfung und Reparaturen

- ◆ Überprüfen Sie das Gerät vor dem Gebrauch auf beschädigte oder defekte Teile. Prüfen Sie, ob Teile gebrochen, Schalter beschädigt oder andere Zustände eingetreten sind, die die Funktion des Gerätes beeinträchtigen.
- ◆ Benutzen Sie das Gerät nicht, wenn irgendein Teil defekt ist.
- ◆ Lassen Sie defekte Teile immer von einer unserer Kundendienstwerkstätten reparieren oder austauschen.
- ◆ Überprüfen Sie regelmäßig die Zuleitung des Ladegeräts auf Beschädigung. Erneuern Sie das Ladegerät, wenn die Zuleitung beschädigt ist.
- ◆ Versuchen Sie nie, irgendwelche Teile zu entfernen oder auszutauschen, die nicht in dieser Anleitung beschrieben werden.

Restrisiken

Für den Gebrauch dieses Werkzeugs verbleiben zusätzliche Restrisiken, die möglicherweise nicht in den Sicherheitswarnungen genannt werden. Diese Risiken bestehen beispielsweise bei Missbrauch oder längerem Gebrauch.

Auch bei der Einhaltung der entsprechenden Sicherheitsvorschriften und der Verwendung aller Sicherheitsgeräte bestehen weiterhin bestimmte Restrisiken. Diese werden im Folgenden aufgeführt:

- ◆ Verletzungen, die durch das Berühren von sich drehenden/bewegenden Teilen verursacht werden.
- ◆ Verletzungen, die durch das Austauschen von Teilen, Messern oder Zubehör verursacht werden.
- ◆ Verletzungen, die durch längeren Gebrauch eines Werkzeugs verursacht werden. Legen Sie bei längerem Gebrauch regelmäßige Pausen ein.
- ◆ Beeinträchtigung des Gehörs.
- ◆ Gesundheitsrisiken durch das Einatmen von Staub beim Gebrauch des Werkzeugs (beispielsweise bei Holzarbeiten, insbesondere Eiche, Buche und Pressspan).

Sicherheit anderer Personen

- ◆ Dieses Gerät darf nicht von Personen (einschließlich Kindern) mit eingeschränktem körperlichen, sensorischen oder geistigen Fähigkeiten verwendet werden. Auch darf es nicht von Personen verwendet werden, die keine Erfahrung mit dem Gerät oder Kenntnis darüber haben, es sei denn, sie stehen beim Gebrauch unter der Aufsicht und Anleitung einer für deren Sicherheit verantwortlichen Person.
- ◆ Kinder müssen beaufsichtigt werden, um sicherzustellen, daß sie nicht mit dem Gerät spielen.

Zusätzliche Sicherheitsanweisungen für Akkus und Ladegeräte

Akkus

- ◆ Versuchen Sie auf keinen Fall, einen Akku zu öffnen.
- ◆ Setzen Sie den Akku keiner Nässe aus.
- ◆ Setzen Sie den Akku keiner Hitze aus.
- ◆ Nicht an einem Ort aufbewahren, wo die Temperatur 40 °C überschreiten kann.
- ◆ Nur bei Umgebungstemperaturen zwischen 10 °C und 40 °C aufladen.
- ◆ Laden Sie den Akku nur mit dem im Lieferumfang enthaltenen Ladegerät.
- ◆ Befolgen Sie bei der Entsorgung von Akkus die Anweisungen im Abschnitt "Umweltschutz".
- ◆ Beschädigen und deformieren Sie den Akku nicht - weder durch Einstiche noch durch Schläge - da Sie sich hierdurch verletzen können und ein Brand entstehen kann.
- ◆ Laden Sie keine beschädigten Akkus.
- ◆ Unter extremen Einsatzbedingungen kann Akkuflüssigkeit austreten. Wenn sich Flüssigkeit auf den Akkus befindet, gehen Sie folgendermaßen vor:
 - ◆ Wischen Sie die Flüssigkeit mit Hilfe eines Lappens vorsichtig von dem Akku. Vermeiden Sie eine Berührung mit der Haut.
 - ◆ Falls die Flüssigkeit doch mit der Haut oder den Augen in Berührung kommen sollte, befolgen Sie die folgenden Hinweise.

Achtung! Die Akkuflüssigkeit kann zu Personenverletzungen oder Sachschäden führen. Bei einem Hautkontakt spülen Sie sofort mit reichlich Wasser. Treten Rötungen, Schmerzen oder Reizungen auf, suchen Sie einen Arzt auf. Bei Augenkontakt spülen Sie die Augen sofort mit sauberem Wasser aus und suchen Sie einen Arzt auf.

Ladegeräte

Ihr Ladegerät wurde für eine bestimmte Spannung konstruiert. Überprüfen Sie immer, ob die Netzspannung mit der Spannung auf der Datenplakette übereinstimmt.

Achtung! Tauschen Sie das Ladegerät auf keinen Fall gegen einen Netzstecker aus.

- ◆ Verwenden Sie Ihr Black & Decker Ladegerät nur zum Laden von Akkus des im Lieferumfang enthaltenen Typs. Andere Akkus könnten platzen und Sach- und Personenschäden verursachen.
- ◆ Versuchen Sie nie, nicht aufladbare Akkus zu laden.
- ◆ Falls das Netzkabel beschädigt ist, so ist es vom Hersteller oder einem autorisierten Black & Decker Service Center auszutauschen, um Gefahren vorzubeugen.
- ◆ Setzen Sie das Ladegerät niemals Nässe aus.
- ◆ Öffnen Sie das Ladegerät nicht.
- ◆ Manipulieren Sie das Ladegerät nicht.
- ◆ Gerät/Werkzeug/Akku müssen sich beim Aufladen an einem gut belüfteten Ort befinden.

Elektrische Sicherheit

Ihr Ladegerät wurde für eine bestimmte Spannung konstruiert. Überprüfen Sie immer, ob die Netzspannung mit der Spannung auf der Datenplakette übereinstimmt. Tauschen Sie das Ladegerät auf keinen Fall gegen einen Netzstecker aus.

Symbole auf dem Ladegerät



Ihr Ladegerät ist schutzisoliert, daher ist keine Erdleitung erforderlich.



Ausfallsicherer Trenntransformator. Die Netzspannungsversorgung ist vom Transformatorausgang elektrisch getrennt.



Das Ladegerät schaltet automatisch ab, wenn die Umgebungstemperatur zu hoch wird. Sobald die Umgebungstemperatur abgenommen hat, nimmt das Ladegerät seinen Betrieb wieder auf.



Das Ladegerät ist ausschließlich für den Gebrauch in geschlossenen Räumen vorgesehen.

Merkmale

1. Ein-/Aus-Schalter
1. Zweistufiger Ein-/Aus-Schalter (CV1205)
2. Entriegelungsknopf
3. Schmutzfangbehälter
4. Ladestation
5. Filterreinigungsrad (CV9605/ CV1205)
6. Ladeanzeige

Abb. A

7. Fugendüse
8. Bürstendüse

Installation

Anbringen der Ladestation an der Wand (Abb. B)

Die Ladestation kann auf eine Arbeitsfläche gestellt oder an der Wand angebracht werden, wodurch man einen bequemen Aufbewahrungs- und Ladeplatz für das Gerät erhält.

Montage

Anbringen des Zubehörs (Abb. A & C)

Diese Modelle werden mit folgendem Zubehör geliefert:

- ◆ Fugendüse (7) für schwer zugängliche Stellen
- ◆ eine Bürstendüse (8) für Möbel und Treppen

Um ein Zubehörteil anzubringen, gehen Sie folgendermaßen vor:

- ◆ Entfernen Sie das Zubehör vom Gerät.
- ◆ Stecken Sie das gewünschte Zubehörteil vorne in das Gerät.

Gebrauch

- ◆ Vor dem ersten Gebrauch muß der Akku mindestens 24 Stunden aufgeladen werden.
- ◆ Setzen Sie das Gerät in die Ladestation ein, wenn es nicht gebraucht wird.

Laden des Akkus (Abb. B)

- ◆ Stellen Sie sicher, daß das Gerät ausgeschaltet ist. Der Akku wird nicht aufgeladen, wenn der Ein-/ Ausschalter eingeschaltet ist.
- ◆ Setzen Sie das Gerät wie angegeben in die Ladestation ein.
- ◆ Stecken Sie das Ladegerät in die Steckdose. Schalten Sie es am Hauptschalter ein.

Die Ladeanzeige (6) leuchtet nun.

- ◆ Lassen Sie das Gerät mindestens 24 Stunden aufladen.

Während des Ladevorgangs kann das Ladegerät warm werden. Dies ist normal und kein Anzeichen für einen Fehler. Das Gerät kann ständig am Stromnetz angeschlossen bleiben. Die Ladeanzeige leuchtet, solange das Gerät mit dem am Netz angeschlossenem Ladegerät verbunden ist.

Achtung! Laden Sie den Akku nicht bei einer Umgebungstemperatur unter 10 °C oder über 40 °C.

Ein- und Ausschalten (Abb. D)

- ◆ Zum Einschalten des Geräts schieben Sie den Ein-/Ausschalter (1) nach vorn.
- ◆ Zum Ausschalten des Geräts schieben Sie den Ein-/Ausschalter nach hinten.

CV1205/CV9605 - Optimieren der Saugkraft (Abb. E)

Um die Saugkraft optimal zu halten, muß der Filter regelmäßig gereinigt werden.

- ◆ Drehen Sie das Rad (5) einige Umdrehungen, um den Staub herauszuschütteln, der den Filter (9) verstopft.

Reinigung und Wartung

Achtung! Reinigen Sie regelmäßig die Filter.

Reinigung des Schmutzfangbehälters und der Filter (Abb. F - J)

Die Filter sind wiederverwendbar und sollten regelmäßig gereinigt werden.

- ◆ Drücken Sie auf den Entriegelungsknopf (2) und entfernen Sie den Schmutzfangbehälter (3) (Abb. F).
- ◆ Entleeren Sie den Schmutzfangbehälter (Abb. G).
- ◆ Entfernen Sie die Filter (9 & 10) durch Drehen im Uhrzeigersinn (Abb. H).
- ◆ Bürsten Sie den losen Staub von den Filtern.
- ◆ Waschen Sie die Filter in warmem Seifenwasser (Abb. I).
Gegebenenfalls kann der Behälter ebenfalls gewaschen werden. Tauchen Sie das Gerät nicht in Wasser ein (Abb. J).
- ◆ Stellen Sie sicher, daß Schmutzfangbehälter und Filter trocken sind.
- ◆ Bringen Sie die Filter (9 & 10) wieder am Gerät an, indem sie gegen den Uhrzeigersinn gedreht werden, bis sie einrasten.
- ◆ Bringen Sie den Schmutzfangbehälter wieder am Gerät an. Stellen Sie sicher, daß der Schmutzfangbehälter richtig einrastet.

Achtung! Verwenden Sie das Gerät nie ohne die Filter. Eine optimale

Schmutzaufnahme kann nur bei sauberen Filtern und leerem Schmutzfangbehälter erzielt werden.

CV1205/CV7205/CV9605 - Reinigung des Auslaßfilters (Abb. K)

- ◆ Öffnen Sie den Deckel (11).
- ◆ Entfernen Sie den Filter (12) aus der Aussparung.
- ◆ Waschen Sie den Filter in warmem Seifenwasser.
- ◆ Vergewissern Sie sich, daß der Filter trocken ist.
- ◆ Bringen Sie den Filter (12) wieder an.
- ◆ Schließen Sie den Deckel.

Erneuern der Filter

Die Filter sollten alle 6 bis 9 Monate sowie bei Verschleiß oder Beschädigung erneuert werden. Ersatzfilter erhalten Sie bei Ihrem Black & Decker Händler (Katalognummer: VF45 für CV9605H; Katalognummer: VF40 für alle anderen Modelle).

- ◆ Entfernen Sie die alten Filter wie oben beschrieben.
- ◆ Bringen Sie die neuen Filter wie oben beschrieben an.

Umweltschutz



Getrennte Entsorgung. Dieses Produkt darf nicht über den normalen Hausmüll entsorgt werden.

Sollte Ihr Black & Decker Produkt eines Tages erneuert werden müssen, oder falls Sie es nicht weiter verwenden wollen, so darf es nicht über den Hausmüll entsorgt werden. Stellen Sie dieses Produkt zur getrennten Entsorgung bereit.



Durch die getrennte Entsorgung gebrauchter Produkte und Verpackungen können die Materialien recycelt und wiederverwertet werden. Die Wiederverwertung recycelter Materialien schont die Umwelt und verringert die Nachfrage nach Rohstoffen.

Die regionalen Bestimmungen schreiben unter Umständen die getrennte Entsorgung elektrischer Produkte aus dem Haushalt an Sammelstellen oder seitens des Händlers vor, bei dem Sie das neue Produkt erworben haben.

Black & Decker nimmt Ihre ausgedienten Black & Decker Geräte gern zurück und sorgt für eine umweltfreundliche Entsorgung und Wiederverwertung. Um diesen Dienst zu nutzen, schicken Sie bitte Ihr Produkt zu einer Vertragswerkstatt. Hier wird es dann auf unsere Kosten gesammelt.

Die Adresse der zuständigen Black & Decker Vertretung steht in diesem Handbuch, darüber läßt sich die nächstgelegene Vertragswerkstatt ermitteln. Außerdem ist eine Liste der Vertragswerkstätten und aller Kundendienststellen von Black & Decker sowie der zuständigen Ansprechpartner im Internet zu finden unter: www.2helpU.com

Akku (Abb. L - N)



Black & Decker Akkus lassen sich sehr häufig wiederaufladen. Entsorgen Sie verbrauchte Akkus auf umweltgerechte Weise.

Falls Sie das Gerät selbst entsorgen möchten, ist der Akku wie nachfolgend beschrieben zu entfernen und gemäß den örtlichen Vorschriften zu entsorgen.

- ◆ Der Akku sollte entladen werden, indem das Gerät solange betrieben wird, bis der Motor stehen bleibt.

Der Akku befindet sich unter dem hinteren Ende des Geräts.

- ◆ Entfernen Sie das Zubehör vom Gerät.
- ◆ Entfernen Sie die Schrauben (13).
- ◆ Entriegeln Sie die Zungen (14), die den Zubehöralter in seiner Lage halten.
- ◆ Entfernen Sie den Zubehöralter (15).
- ◆ Entfernen Sie die Schrauben (16), die den Akku in seiner Lage halten.
- ◆ Schieben Sie den Akku (17) wie angegeben nach hinten.
- ◆ Entfernen Sie den Akku.

- ◆ Legen Sie den Akku in eine geeignete Verpackung, um sicherzustellen, daß die Anschlüsse nicht kurzgeschlossen werden können.
- ◆ Zur Wiederverwertung oder umweltverträglichen Entsorgung ist der Akku bei Ihrem Händler oder einer kommunalen Sammelstelle abzugeben.

Achtung! Ist der Akku erst einmal ausgebaut, kann er nicht wieder eingebaut werden.

Technische Daten

	CV1205 H2	CV7205 H2 CV7205B H2
Spannung	V 12	7,2
Gewicht	kg 1,4	1,1

	CV9605 H2 CV9605G H2 CV9605H H2 CV9605P H2	V4805 H2 V4805Y H2 V4806 H2 V4807 H2
Spannung	V 9,6	4,8
Gewicht	kg 1,3	0,9

	V6005 H2
Spannung	V 6,0
Gewicht	kg 1,0

Ladegerät

	**090020D	**100015D
Modell	V48	V60
Netzspannung	V_{AC} 230	230
Ausgangsspannung	V_{AC} 9	10
Amperezahl	mA 200	150
Ladezeit (zirka)	h 24	24
Gewicht	kg 0,3	0,3

	**110020D	**140020D
Modell	CV72	CV96
Netzspannung	V_{AC} 230	230
Ausgangsspannung	V_{AC} 11	14
Amperezahl	mA 200	200
Ladezeit (zirka)	h 24	24
Gewicht	kg 0,3	0,3

Ladegerät

CHA002014*	
Modell	CV12
Netzspannung V_{AC}	100-240
Ausgangs- spannung V_{DC}	7,2-24
Amperezahl mA	85
Ladezeit (zirka) h	24
Gewicht kg	0,3

Höhe des Schalldrucks gemäß EN 60704-1:

Schalldruck (L_{pA}) < 70 dB(A), Unsicherheitsfaktor (K) 3 dB(A)

Garantie

Black & Decker vertraut auf die Qualität der eigenen Geräte und bietet dem Käufer eine außergewöhnliche Garantie. Diese Garantiezusage versteht sich unbeschadet der gesetzlichen Gewährleistungsansprüche und schränkt diese keinesfalls ein. Sie gilt in sämtlichen Mitgliedsstaaten der Europäischen Union und der Europäischen Freihandelszone EFTA.

Tritt innerhalb von 24 Monaten ab Kaufdatum an einem Gerät von Black & Decker ein auf Material- oder Verarbeitungsfehler zurückzuführender Mangel auf, garantiert Black & Decker den Austausch defekter Teile, die Reparatur von Geräten mit üblichem Verschleiß bzw. den Austausch eines mangelhaften Geräts, ohne den Kunden dabei mehr als unbedingt nötig in Anspruch zu nehmen, allerdings vorbehaltlich folgender Ausnahmen:

- ◆ wenn das Gerät gewerblich, beruflich oder im Verleihgeschäft benutzt wurde;
- ◆ wenn das Gerät mißbräuchlich verwendet oder mit mangelnder Sorgfalt behandelt wurde;
- ◆ wenn das Gerät durch irgendwelche Fremdeinwirkung beschädigt wurde;
- ◆ wenn ein unbefugter Reparaturversuch durch anderes Personal als das einer Vertragswerkstatt oder des Black & Decker-Kundendienstes unternommen wurde.

Zur Inanspruchnahme dieser Garantie ist dem Verkäufer bzw. der Vertragswerkstatt ein Kaufnachweis vorzulegen. Der Kaufnachweis muß Kaufdatum und Gerätetyp bescheinigen. Die Adresse des zuständigen Büros von Black & Decker steht in dieser Anleitung, darüber läßt sich die nächstgelegene Vertragswerkstatt ermitteln. Außerdem ist eine Liste der Vertragswerkstätten und aller Kundendienststellen von Black & Decker sowie der zuständigen Ansprechpartner im Internet zu finden unter: **www.2helpU.com**

Bitte besuchen Sie unsere Webseite **www.blackanddecker.de**, um Ihr neues Black & Decker Produkt zu registrieren und über neue Produkte und Sonderangebote aktuell informiert zu werden. Weitere Informationen über die Marke Black & Decker und unsere Produkte finden Sie unter **www.blackanddecker.de**

Utilisation prévue

Votre Dustbuster® de Black & Decker est un aspirateur de petits déchets.

Instructions de sécurité

- ◆ **Attention !** Lors de l'utilisation d'appareils sans fil, observez toujours les consignes de sécurité élémentaires, y compris celles qui suivent afin de réduire les risques d'incendie, de fuite de batterie, de blessures et de dommage matériel.
- ◆ Lisez et observez attentivement les instructions avant d'utiliser l'appareil.
- ◆ Ce manuel décrit l'utilisation prévue. Une utilisation de l'appareil autre que celles prévues dans le présent manuel ou l'utilisation d'accessoires autres que ceux recommandés dans le présent manuel peut présenter un risque de blessure.
- ◆ Conservez ce manuel à titre de référence.

Utilisation de votre appareil

- ◆ N'utilisez pas l'appareil pour aspirer des liquides ou des matières inflammables.
- ◆ N'utilisez pas l'appareil près de l'eau. N'immergez pas l'appareil dans l'eau.
- ◆ Ne tirez jamais sur le fil du chargeur pour le débrancher. Préservez le chargeur de la chaleur, des corps gras et des arêtes tranchantes.

Après utilisation

- ◆ Débranchez le chargeur avant de le nettoyer ou de nettoyer la base de chargement.
- ◆ Rangez l'appareil dans un endroit sec. Les enfants ne doivent pas pouvoir accéder aux appareils, même rangés.

Inspection et réparations

- ◆ Avant d'utiliser l'appareil, vérifiez qu'il n'est pas endommagé et qu'aucune pièce n'est défectueuse. Assurez-vous que les pièces et les boutons ne sont pas endommagés et recherchez tout autre facteur qui pourrait nuire à son fonctionnement.
- ◆ N'utilisez pas l'appareil si une pièce est endommagée ou défectueuse.

- ◆ Faites réparer ou remplacer toute pièce endommagée par un réparateur agréé.
- ◆ Vérifiez régulièrement le fil du chargeur pour vous assurer qu'il n'est pas endommagé. Remplacez le chargeur si le fil est endommagé ou défectueux.
- ◆ N'essayez jamais d'enlever ou de changer des pièces autres que celles spécifiées dans ce manuel.

Risques résiduels

L'utilisation d'un outil non mentionné dans les consignes de sécurité données peut entraîner des risques résiduels supplémentaires. Ces risques peuvent survenir si l'outil est mal utilisé, si l'utilisation est prolongée, etc.

Malgré l'application des normes de sécurité correspondantes et la présence de dispositifs de sécurité, les risques résiduels suivants ne peuvent être évités. Ceci comprend :

- ◆ Les blessures dues au contact avec une pièce mobile / en rotation.
- ◆ Les blessures causées en changeant des pièces, lames ou accessoires.
- ◆ Les blessures dues à l'utilisation prolongée d'un outil. Une utilisation prolongée de l'outil nécessite des pauses régulières.
- ◆ Déficience auditive.
- ◆ Risques pour la santé causés par l'inhalation de poussières produites pendant l'utilisation de l'outil (exemple : travail avec du bois, surtout le chêne, le hêtre et les panneaux en MDF).

Sécurité des tiers

- ◆ Cet appareil n'est pas destiné à être utilisé par des personnes (notamment des enfants) présentant des capacités physiques, sensorielles ou mentales limitées voire dépourvues de connaissance et d'expérience, sauf si elles sont supervisées ou ont reçu des instructions pour l'usage de l'appareil par une personne responsable de leur sécurité.
- ◆ Les enfants ne doivent pas jouer avec l'appareil.

Instructions de sécurité supplémentaires pour les batteries et chargeurs

Batteries

- ◆ Ne tentez jamais d'ouvrir pour quelque raison que ce soit.
- ◆ N'exposez pas la batterie à l'humidité.
- ◆ N'exposez pas la batterie à la chaleur.
- ◆ Ne rangez pas dans des endroits dont la température peut dépasser 40 °C.
- ◆ Chargez uniquement à une température ambiante entre 10 °C et 40 °C.
- ◆ Chargez uniquement avec le chargeur fourni avec l'outil/appareil.
- ◆ Pour la mise au rebut des batteries, suivez les instructions de la section "Protection de l'environnement".
- ◆ N'endommagez et ne déformez pas la batterie (piqûre ou impact). Vous pourriez créer un risque de blessure ou d'incendie.
- ◆ Ne chargez pas les batteries endommagées.
- ◆ Dans des conditions extrêmes, une batterie peut fuir. Si vous remarquez que les batteries ont coulé, procédez comme suit :
- ◆ Essayez soigneusement le liquide à l'aide d'un chiffon. Évitez le contact avec la peau.
- ◆ En cas de contact avec la peau ou les yeux, suivez les instructions ci-dessous.

Attention ! Le liquide de batterie peut causer des blessures ou des dégâts. En cas de contact avec la peau, rincez abondamment à l'eau. En présence de rougeurs, douleurs ou irritations, consultez un médecin. En cas de contact avec les yeux, rincez-les immédiatement à l'eau claire et consultez un médecin.

Chargeurs

Votre chargeur a été conçu pour une tension spécifique. Vérifiez toujours que la tension du secteur correspond à la tension indiquée sur la plaque d'identification.

Attention ! Ne tentez jamais de remplacer le chargeur par une prise secteur normale.

- ◆ Utilisez uniquement votre chargeur Black & Decker pour charger les batteries fournies avec l'outil/l'appareil ou de même type et modèle. D'autres batteries pourraient exploser et causer des dommages ou blessures.
- ◆ Ne tentez jamais de charger des batteries non rechargeables.
- ◆ Si le câble d'alimentation est endommagé, il doit être remplacé par le fabricant ou par un centre de réparation agréé Black & Decker afin d'éviter tout accident.
- ◆ Ne mettez pas le chargeur en contact avec de l'eau.
- ◆ N'ouvrez pas le chargeur.
- ◆ Ne testez pas le chargeur.
- ◆ Pendant la charge, l'appareil/outil/batterie doit être placé dans une zone bien ventilée.

Sécurité électrique

Votre chargeur a été conçu pour une tension spécifique. Vérifiez toujours que la tension du secteur correspond à la tension indiquée sur la plaque d'identification. Ne tentez jamais de remplacer le chargeur par une prise secteur normale.

Symboles apposés sur le chargeur



Votre chargeur est doublement isolé ; par conséquent, aucun câble de masse n'est nécessaire.



Transformateur à sécurité intrinsèque. L'alimentation secteur est électriquement séparée de la sortie du transformateur.



Le chargeur s'arrête automatiquement si la température ambiante est trop élevée. Dès que la température ambiante a baissé, le chargeur recommence à fonctionner.



Le chargeur a été conçu pour être utilisé uniquement à l'intérieur.

Caractéristiques

1. Interrupteur marche/arrêt
1. Interrupteur marche/arrêt à deux vitesses (CV1205)
2. Bouton de verrouillage
3. Réservoir à poussières
4. Base de chargement
5. Bouton de nettoyage de filtre (CV9605/CV1205)
6. Voyant de charge

Fig. A

7. Suceur plat
8. Brosse

Installation

Mise en place de la base de chargement sur le mur (fig. B)

La base de chargement peut être fixée sur un plan de travail ou au mur de manière à permettre un rangement pratique de l'appareil et à lui fournir un point de chargement.

Montage

Mise en place des accessoires (fig. A & C)

Ces modèles sont fournis avec les accessoires suivants :

- ◆ un suceur plat (7) pour les espaces difficiles d'accès
- ◆ une brosse (8) pour les meubles et les escaliers

Procédez comme suit pour la mise en place d'un accessoire :

- ◆ Retirez les accessoires de l'appareil.
- ◆ Insérez l'accessoire approprié à l'avant de l'appareil.

Utilisation

- ◆ Chargez la batterie pendant au moins 24 heures avant la première utilisation.
- ◆ Placez l'appareil sur la base de chargement lorsque vous ne l'utilisez pas.

Charge de la batterie (fig. B)

- ◆ Assurez-vous que l'appareil est éteint. La batterie ne se chargera pas si le bouton marche/arrêt est sur la position marche.
- ◆ Placez l'appareil sur la base de chargement comme indiqué.
- ◆ Branchez le chargeur. Mettez sous tension.

Le voyant de chargement (6) s'allume.

- ◆ Laissez l'appareil se charger pendant au moins 24 heures.

Le chargeur peut chauffer pendant la charge. C'est normal et n'indique pas une défaillance. L'appareil peut rester branché indéfiniment au chargeur. Le voyant de chargement restera allumé tant que l'appareil restera connecté au chargeur branché.

Attention ! Ne chargez pas la batterie à une température ambiante inférieure à 10 °C ou supérieure à 40 °C.

Démarrage et arrêt (fig. D)

- ◆ Pour mettre l'appareil en marche, faites glisser le bouton marche/arrêt (1) vers l'avant.
- ◆ Pour éteindre l'appareil, faites glisser le bouton marche/arrêt vers l'arrière.

CV1205/CV9605 - Optimisation de la force d'aspiration (fig. E)

Pour conserver la meilleure force d'aspiration, le filtre doit être régulièrement nettoyé pendant l'utilisation.

- ◆ Tournez le bouton (5) de quelques tours et secouez la poussière du filtre (9).

Entretien et nettoyage

Attention ! Nettoyez régulièrement les filtres.

Nettoyage du réservoir à poussières et des filtres (fig. F - J)

Les filtres sont réutilisables et doivent être nettoyés régulièrement.

- ◆ Appuyez sur le bouton d'ouverture (2) et retirez le réservoir à poussières (3) (fig. F).
- ◆ Comment vider le réservoir à poussières (fig. G)

- ◆ Enlevez les filtres (9 & 10) en les faisant tourner dans le sens des aiguilles d'une montre (fig. H).
- ◆ Enlevez le plus gros de la poussière du filtre à l'aide d'une brosse.
- ◆ Lavez les filtres dans de l'eau tiède et savonneuse (fig. I). Vous pouvez aussi laver le réservoir au besoin. N'immergez pas l'appareil dans l'eau (fig. J).
- ◆ Assurez-vous que le réservoir à poussières et les filtres sont secs.
- ◆ Remplacez les filtres (9 & 10) sur l'appareil, en les faisant tourner dans le sens des aiguilles d'une montre jusqu'à ce qu'ils soient bien bloqués (vous entendrez un "clic").
- ◆ Remplacez le réservoir à poussières sur l'appareil. Assurez-vous que le réservoir à poussières est bien enclenché.

Attention ! N'utilisez jamais l'appareil sans les filtres. Seuls des filtres propres et un réservoir à poussières vide peuvent procurer une aspiration optimale.

CV1205/CV7205/CV9605 - Nettoyage du filtre de sortie (fig. K)

- ◆ Ouvrez le couvercle (11).
- ◆ Retirez le filtre (12) de son renforcement.
- ◆ Lavez le filtre dans de l'eau tiède et savonneuse.
- ◆ Vérifiez que le filtre est sec.
- ◆ Remettez le filtre (12) en place.
- ◆ Fermez le couvercle.

Remplacement des filtres

Les filtres doivent être remplacés tous les 6 à 9 mois et chaque fois qu'ils sont usés ou endommagés. Vous pouvez vous procurer des filtres de remplacement auprès des détaillants Black & Decker (numéro du catalogue: VF45 pour CV9605H ; numéro du catalogue: VF40 pour toutes les autres modèles).

- ◆ Retirez les filtres usagés comme indiqué ci-dessus.
- ◆ Installez les filtres neufs comme indiqué ci-dessus.

Protection de l'environnement



Collecte séparée. Ce produit ne doit pas être jeté avec les déchets domestiques normaux.

Si vous décidez de remplacer ce produit Black & Decker, ou si vous n'en avez plus l'utilité, ne le jetez pas avec vos déchets domestiques. Rendez-le disponible pour une collecte séparée.



La collecte séparée des produits et emballages usés permet le recyclage des articles afin de les utiliser à nouveau. Le fait d'utiliser à nouveau des produits recyclés permet d'éviter la pollution environnementale et de réduire la demande de matières premières.

Les réglementations locales peuvent permettre la collecte séparée des produits électriques du foyer, dans des déchetteries municipales ou auprès du revendeur vous ayant vendu votre nouveau produit.

Black & Decker fournit un dispositif permettant de collecter et de recycler les produits Black & Decker lorsqu'ils ont atteint la fin de leur cycle de vie. Pour pouvoir profiter de ce service, veuillez retourner votre produit à un réparateur agréé qui se chargera de le collecter pour nous.

Pour connaître l'adresse du réparateur agréé le plus proche de chez vous, contactez le bureau Black & Decker à l'adresse indiquée dans ce manuel. Vous pourrez aussi trouver une liste des réparateurs agréés de Black & Decker et de plus amples détails sur notre service après-vente sur le site Internet à l'adresse suivante : www.2helpU.com

Batterie (fig. L - N)



Les batteries Black & Decker peuvent être rechargées de nombreuses fois. A la fin de leur durée de vie technique, mettez les batteries au rebut en respectant l'environnement.

Si vous désirez vous débarrasser de votre appareil vous-même, vous devez retirer la batterie comme indiqué ci-dessous et la jeter en respectant la réglementation locale.

- ◆ Il est préférable de décharger la batterie en faisant fonctionner l'appareil jusqu'à ce que le moteur s'arrête.

La batterie est située sous la partie arrière de l'appareil.

- ◆ Retirez les accessoires de l'appareil.
- ◆ Enlevez les vis (13).
- ◆ Débloquez les languettes (14) qui maintiennent le porte-accessoires.
- ◆ Retirez le porte-accessoires (15).
- ◆ Retirez les vis (16) qui maintiennent la batterie en place.
- ◆ Glissez la batterie (17) vers l'arrière comme sur la figure.
- ◆ Enlevez la batterie.
- ◆ Placez la batterie dans un emballage adapté pour éviter toute possibilité d'un court-circuit entre les bornes.
- ◆ Apportez-la à votre distributeur ou à un centre de recyclage local.

Attention ! Une fois retirée, la batterie ne peut plus être remise en place.

Caractéristiques techniques

	CV1205 H2	CV7205 H2 CV7205B H2
Tension	V 12	7,2
Poids	kg 1,4	1,1

	CV9605 H2 CV9605G H2 CV9605H H2 CV9605P H2	V4805 H2 V4805Y H2 V4806 H2 V4807 H2
Tension	V 9,6	4,8
Poids	kg 1,3	0,9

	V6005 H2
Tension	V 6,0
Poids	kg 1,0

Chargeur

	**090020D	**100015D
Modèle	V48	V60
Tension secteur V_{AC}	230	230
Tension de sortie V_{AC}	9	10
Ampérage mA	200	150
Temps de chargement approx.	h 24	24
Poids	kg 0,3	0,3

	**110020D	**140020D
Modèle	CV72	CV96
Tension secteur V_{AC}	230	230
Tension de sortie V_{AC}	11	14
Ampérage mA	200	200
Temps de chargement approx.	h 24	24
Poids	kg 0,3	0,3

	CHA002014*
Modèle	CV12
Tension secteur V_{AC}	100-240
Tension de sortie V_{DC}	7,2-24
Ampérage mA	85
Temps de chargement approx.	h 24
Poids	kg 0,3

Niveau de pression acoustique selon EN 60704-1 :

Pression acoustique (L_{pA}) < 70 dB(A), incertitude (K) 3 dB(A)

Garantie

Black & Decker est confiant dans la qualité de ses produits et vous offre une garantie très étendue. Ce certificat de garantie est un document supplémentaire et ne peut en aucun cas se substituer à vos droits légaux. La garantie est valable sur tout le territoire des Etats Membres de l'Union Européenne et de la Zone de Libre Echange Européenne.

Si un produit Black & Decker s'avère défectueux en raison de matériaux en mauvaises conditions, d'une erreur humaine, ou d'un manque de conformité dans les 24 mois suivant la date d'achat, Black & Decker garantit le remplacement des pièces défectueuses, la réparation des produits usés ou cassés ou remplace ces produits à la convenance du client, sauf dans les circonstances suivantes :

- ◆ Le produit a été utilisé dans un but commercial, professionnel, ou a été loué.
- ◆ Le produit a été mal utilisé ou avec négligence.
- ◆ Le produit a subi des dommages à cause d'objets étrangers, de substances ou à cause d'accidents.
- ◆ Des réparations ont été tentées par des techniciens ne faisant pas partie du service technique de Black & Decker.

Pour avoir recours à la garantie, il est nécessaire de fournir une preuve d'achat au vendeur ou à un réparateur agréé. Pour connaître l'adresse du réparateur agréé le plus proche de chez vous, contactez le bureau Black & Decker à l'adresse indiquée dans ce manuel. Vous pourrez aussi trouver une liste des réparateurs agréés de Black & Decker et de plus amples détails sur notre service après-vente sur le site Internet à l'adresse suivante : **www.2helpU.com**

Visitez notre site Web

www.blackanddecker.fr pour enregistrer votre nouveau produit Black & Decker et être informé des nouveaux produits et des offres spéciales. Pour plus d'informations concernant la marque Black & Decker et notre gamme de produits, consultez notre site **www.blackanddecker.fr**

Uso previsto

Il Dustbuster® della Black & Decker è un aspirapolvere manuale a secco per applicazioni leggere.

Precauzioni di sicurezza

- ◆ **Attenzione!** Quando si adoperano apparecchi a batterie, per ridurre il rischio di incendi, fuoriuscita di liquido dalle batterie, infortuni personali e danni materiali, è necessario osservare alcune precauzioni di sicurezza fondamentali, comprese le seguenti.
- ◆ Prima di adoperare l'elettrodomestico, leggere attentamente le istruzioni del presente manuale.
- ◆ L'utilizzo previsto è quello descritto in questo manuale. L'uso di accessori o attrezzature diversi o l'uso di questo apparecchio per scopi diversi da quelli indicati nel presente manuale comportano il rischio di infortuni.
- ◆ Conservare questo manuale di istruzioni per successive consultazioni.

Uso dell'elettrodomestico

- ◆ Non usare l'apparecchio per aspirare liquidi o materiali che potrebbero incendiarsi.
- ◆ Non utilizzare l'apparecchio in prossimità dell'acqua. Non immergere l'elettrodomestico in acqua.
- ◆ Non tirare mai il filo del caricabatterie per estrarlo dalla presa. Mantenere il filo del caricabatterie lontano da fonti di calore, olio e spigoli taglienti.

Dopo l'uso

- ◆ Staccare la spina del caricabatteria prima di pulirlo o di pulire la base di carica.
- ◆ Quando non è in funzione, l'elettrodomestico deve essere conservato in un luogo asciutto. Inaccessibile ai bambini.

Ispezione e riparazioni

- ◆ Prima dell'uso, verificare che non vi siano componenti danneggiati o difettosi. Verificare anche che non vi siano parti rotte, che gli interruttori non siano danneggiati e che non vi sia nulla che comprometta il funzionamento.

- ◆ Non usare l'elettrodomestico se sono presenti elementi danneggiati o difettosi.
- ◆ Eventuali elementi difettosi o danneggiati devono essere sostituiti o riparati da un tecnico autorizzato.
- ◆ Verificare regolarmente che il filo del caricabatterie non sia danneggiato. Sostituire il caricabatterie se il filo è danneggiato o difettoso.
- ◆ Non tentare mai di smontare o sostituire componenti diversi da quelli indicati nel presente manuale.

Rischi residui

Altri rischi residui che possono sorgere durante l'impiego dell'utensile e che possono non essere stati contemplati dagli allegati avvisi di sicurezza. Tali rischi possono sorgere a seguito di un uso prolungato o improprio, ecc.

Perfino adottando gli appositi regolamenti di sicurezza e utilizzando i dispositivi di sicurezza, certi rischi residui non possono essere evitati. Essi comprendono:

- ◆ Lesioni causate o subite a seguito del contatto con parti rotanti / in movimento.
- ◆ Lesioni causate o subite durante la sostituzione di parti, lame o accessori.
- ◆ Lesioni causate dall'impiego prolungato di un utensile. Quando si usa qualsiasi utensile per lunghi periodi, accertarsi di fare regolarmente delle pause.
- ◆ Problemi di udito.
- ◆ Rischi per la salute causati dall'aspirazione di polvere generata dall'utilizzo dell'utensile (ad esempio: quando si lavora con il legno, in modo particolare quello di quercia, faggio o l'MDF).

Sicurezza altrui

- ◆ Questo elettrodomestico non è destinato ad essere utilizzato da persone (bambini inclusi) con ridotte capacità fisiche, sensoriali o mentali, senza esperienza o non in possesso delle dovute conoscenze, senza la supervisione o l'addestramento da parte di una persona responsabile per la loro sicurezza.
- ◆ Controllare i bambini per evitare che giochino con l'elettrodomestico.

Istruzioni supplementari sulla sicurezza per batterie e caricabatterie

Batterie

- ◆ Non tentare mai di aprire le batterie, per nessuna ragione.
- ◆ Non esporre la batteria all'acqua.
- ◆ Non esporre la batteria al calore.
- ◆ Non conservarle in ambienti in cui la temperatura possa superare i 40 °C.
- ◆ Caricare le batterie solo a temperatura ambiente compresa tra 10 °C e 40 °C.
- ◆ Caricare la batteria solo usando il caricabatterie fornito con l'apparecchio/utensile.
- ◆ Per smaltire le batterie seguire le istruzioni riportate nel capitolo "Protezione dell'ambiente".
- ◆ Non danneggiare o deformare la batteria forandola o colpendola, in quanto ciò può esporre al rischio di infortuni e incendi.
- ◆ Non ricaricare batterie danneggiate.
- ◆ In condizioni estreme, la batteria può perdere liquido. Se si rileva la presenza di liquido sulle batterie, procedere come segue:
- ◆ Asciugare con cura il liquido usando un panno. Evitare il contatto con l'epidermide.
- ◆ In caso di contatto con l'epidermide o gli occhi, osservare le seguenti istruzioni.

Attenzione! Il fluido delle batterie può causare lesioni o danni agli oggetti. In caso di contatto con l'epidermide, sciacquare immediatamente con acqua. Se si verificano arrossamenti, dolore o irritazioni rivolgersi a un medico. In caso di contatto con gli occhi, sciacquare immediatamente con acqua pulita e rivolgersi a un medico.

Caricabatterie

Il caricabatterie è predisposto per essere alimentato con una specifica tensione. Controllare che la tensione di alimentazione corrisponda a quella indicata sulla targhetta con i dati caratteristici.

Attenzione! Non cercare di utilizzare una normale presa di corrente al posto del caricabatterie.

- ◆ Usare il caricabatterie Black & Decker soltanto per caricare le batterie fornite con l'apparecchio/l'elettro utensile. Batterie di altro tipo possono esplodere, provocando danni a persone e cose.
- ◆ Non tentare mai di ricaricare una batteria non ricaricabile.
- ◆ Se il cavo elettrico in dotazione risulta danneggiato, deve essere sostituito dal produttore o da un Centro di assistenza autorizzato Black & Decker, onde evitare rischi.
- ◆ Non esporre il caricabatterie all'acqua.
- ◆ Non aprire il caricabatterie.
- ◆ Non applicare i puntali di un multimetro sul caricabatterie.
- ◆ Durante la ricarica, l'apparecchio/utensile/batteria devono essere collocati in un'area ben ventilata.

Sicurezza elettrica

Il caricabatterie è predisposto per essere alimentato con una specifica tensione. Controllare che la tensione di alimentazione corrisponda a quella indicata sulla targhetta con i dati caratteristici. Non cercare di utilizzare una normale presa di corrente al posto del caricabatterie.

Simboli sul caricabatterie



Il caricabatterie è provvisto di doppio isolamento che rende superflua la messa a terra.



Trasformatore isolante a prova di guasto. L'alimentazione di rete è separata elettricamente dall'uscita del trasformatore.



Il caricabatterie si spegne automaticamente se la temperatura ambiente sale eccessivamente. Ricomincia a funzionare non appena la temperatura ambiente diminuisce.



Il caricabatterie è destinato ad essere usato esclusivamente in ambienti interni.

Funzioni

1. Interruttore acceso/spento
1. Interruttore on/off a due velocità (CV1205)
2. Tasto di sgancio
3. Contenitore di raccolta della polvere
4. Base di ricarica
5. Rotella di pulizia filtro (CV9605/ CV1205)
6. Indicatore di carica

Fig. A

7. Bocchetta a lancia
8. Spazzola

Installazione

Fissaggio della base di ricarica alla parete (fig. B)

La base di ricarica può essere collocata su un piano di lavoro o fissata alla parete per offrire un comodo supporto nel quale riporre e caricare l'elettrodomestico.

Montaggio

Installazione degli accessori (fig. A & C)

Questi modelli vengono forniti con i seguenti accessori:

- ◆ una bocchetta a lancia (7) per spazi limitati
- ◆ una spazzola (8) per mobili e scale

Per montare un accessorio, procedere come segue:

- ◆ Prendere gli accessori dall'apparecchio.
- ◆ Inserire l'accessorio adatto nella parte anteriore dell'apparecchio.

Uso

- ◆ Prima di usare l'elettrodomestico per la prima volta, la batteria deve restare in carica per almeno 24 ore.
- ◆ Collocare l'elettrodomestico sulla base di ricarica ogni volta che non viene utilizzato.

Carica della batteria (fig. B)

- ◆ Assicurarsi che l'apparecchio sia spento. La batteria non si caricherà se l'interruttore acceso/spento è in posizione acceso.
- ◆ Collocare l'apparecchio sulla base di ricarica, come illustrato.
- ◆ Inserire la spina del caricabatterie nella presa. Accenderlo.

S'illumina l'indicatore di carica (6).

- ◆ Lasciare l'elettrodomestico in carica per almeno 24 ore.

Durante la ricarica, il caricabatterie può riscaldarsi. Ciò è normale e non indica alcun problema. L'apparecchio può restare attaccato al caricabatterie indefinitamente. L'indicatore di carica rimane sempre acceso quando l'elettrodomestico è collegato al caricabatterie sotto tensione.

Attenzione! Non caricare la batteria con temperature ambiente inferiori ai 10 °C o superiori ai 40 °C.

Avviamento e spegnimento (fig. D)

- ◆ Per accendere l'elettrodomestico, far slittare in avanti l'interruttore on/off (1).
- ◆ Per spegnere l'elettrodomestico, fare slittare indietro l'interruttore on/off.

CV1205/CV9605 - Ottimizzazione della forza di aspirazione (fig. E)

Per utilizzare sempre al meglio la forza di aspirazione, il filtro deve essere pulito regolarmente durante l'uso.

- ◆ Far completare alcuni giri alla rotella (5) per far fuoriuscire la polvere che ostruisce il filtro (9).

Pulizia e manutenzione

Attenzione! Pulire regolarmente i filtri.

Pulizia del contenitore di raccolta della polvere e dei filtri (fig. F - J)

I filtri sono riutilizzabili e devono essere puliti regolarmente.

- ◆ Premere il tasto di sgancio (2) ed estrarre il contenitore di raccolta della polvere (3) (fig. F).
- ◆ Svuotare il contenitore di raccolta della polvere (fig. G).

- ◆ Togliere i filtri (9 & 10) ruotandoli in senso orario (fig. H).
- ◆ Spazzolare via eventuali granelli di polvere rimasti sui filtri.
- ◆ Lavare i filtri in acqua calda e sapone (fig. I). All'occorrenza è possibile lavare anche il contenitore di raccolta. Non immergere l'apparecchio in acqua (fig. J).
- ◆ Assicurarsi che il contenitore di raccolta e i filtri siano asciutti.
- ◆ Reinstallare i filtri (9 & 10) sull'elettrodomestico ruotandoli in senso antiorario finché non si bloccano in posizione.
- ◆ Reinserire il contenitore di raccolta nell'apparecchio. Assicurarsi che il contenitore di raccolta si inserisca a scatto nell'apposita sede.

Attenzione! Non usare mai l'apparecchio senza i filtri. Un'aspirazione ottimale della polvere si ottiene solo se i filtri sono puliti e il contenitore di raccolta è vuoto.

CV1205/CV7205/CV9605 - Pulizia del filtro di scarico (fig. K)

- ◆ Aprire il coperchio (11).
- ◆ Estrarre il filtro (12) dalla cavità.
- ◆ Lavare il filtro in acqua calda e sapone.
- ◆ Assicurarsi che il filtro sia asciutto.
- ◆ Reinstallare il filtro (12).
- ◆ Chiudere il coperchio.

Sostituzione dei filtri

I filtri devono essere sostituiti ogni 6-9 mesi e ogniqualvolta sono usurati o danneggiati. I filtri di ricambio sono disponibili presso il concessionario Black & Decker (numero di catalogo: VF45 per CV9605H; numero di catalogo: VF40 per tutti altri modelli).

- ◆ Smontare i filtri come descritto sopra.
- ◆ Montare i nuovi filtri come descritto sopra.

Protezione dell'ambiente



Raccolta differenziata. Questo prodotto non deve essere smaltito con i normali rifiuti domestici.

Nel caso in cui si decida di sostituire l'apparecchio oppure di disfarsene in quanto non più necessario, non dovrà essere smaltito con i normali rifiuti domestici. Smaltire il prodotto tramite raccolta differenziata.



La raccolta differenziata di prodotti e imballaggi usati, consente il riciclaggio e il riutilizzo dei materiali. Riutilizzare i materiali riciclati aiuta a prevenire l'inquinamento ambientale e riduce la richiesta di materie prime.

In base alle normative locali, i servizi per la raccolta differenziata di elettrodomestici possono essere disponibili presso i punti di raccolta municipali o presso il rivenditore, al momento dell'acquisto di un nuovo prodotto.

Black & Decker offre ai suoi clienti un servizio per la raccolta differenziata e la possibilità di riciclare i prodotti Black & Decker che hanno esaurito la loro durata in servizio. Per usufruire del servizio, è sufficiente restituire il prodotto a qualsiasi tecnico autorizzato, incaricato della raccolta per conto dell'azienda.

Per individuare il tecnico autorizzato più vicino, rivolgersi alla sede Black & Decker locale, presso il recapito indicato nel presente manuale. Altrimenti un elenco completo di tutti i tecnici autorizzati Black & Decker e i dettagli completi sui contatti e i servizi post-vendita sono disponibili sul sito Internet:

www.2helpU.com

Batteria (fig. L - N)



Le batterie della Black & Decker si possono ricaricare più volte: Le batterie esaurite devono essere smaltite nel totale rispetto dell'ambiente.

Se si desidera disfarsi del prodotto, la batteria deve essere estratta come descritto di seguito e smaltita conformemente alle norme locali.

- ◆ È preferibile scaricare la batteria facendo funzionare l'elettrotensile fino a che il motore non si ferma.

La batteria si trova sotto l'estremità posteriore dell'apparecchio.

- ◆ Prendere gli accessori dall'apparecchio.
- ◆ Rimuovere le viti (13).
- ◆ Sbloccare le linguette (14) tenendo in posizione il portaaccessori.
- ◆ Rimuovere il portaaccessori (15).
- ◆ Estrarre le viti (16) che fissano in posizione la batteria.
- ◆ Fare scivolare indietro la batteria (17), come mostrato.
- ◆ Estrarre la batteria.
- ◆ La batteria deve essere imballata in modo tale da garantire che i terminali non possano essere cortocircuitati.
- ◆ Portare la batteria presso il concessionario o un impianto di riciclaggio locale.

Attenzione! Una volta rimossa, la batteria non può essere più rimontata.

Dati tecnici

	CV1205 H2	CV7205 H2 CV7205B H2
Tensione	V 12	7,2
Peso	kg 1,4	1,1

	CV9605 H2	V4805 H2 CV9605G H2 V4805Y H2 CV9605H H2 V4806 H2 CV9605P H2 V4807 H2
Tensione	V 9,6	4,8
Peso	kg 1,3	0,9

	V6005 H2
Tensione	V 6,0
Peso	kg 1,0

Caricabatteria

	**090020D	**100015D
Modello	V48	V60
Tensione di rete V_{AC}	230	230
Tensione di uscita V_{AC}	9	10
Amperaggio mA	200	150
Tempo approssimato di carica	h 24	24
Peso	kg 0,3	0,3

	**110020D	**140020D
Modello	CV72	CV96
Tensione di rete V_{AC}	230	230
Tensione di uscita V_{AC}	11	14
Amperaggio mA	200	200
Tempo approssimato di carica	h 24	24
Peso	kg 0,3	0,3

	CHA002014*
Modello	CV12
Tensione di rete V_{AC}	100-240
Tensione di uscita V_{DC}	7,2-24
Amperaggio mA	85
Tempo approssimato di carica	h 24
Peso	kg 0,3

Livello di pressione sonora,
dati conformi alla norma EN 60704-1:

Pressione sonora (L_{pA}) < 70 dB(A), incertezza (K) 3 dB(A)

Garanzia

Certa della qualità dei suoi prodotti, Black & Decker offre una garanzia eccezionale. Il presente certificato di garanzia è complementare ai diritti statutari e non li pregiudica in alcun modo. La garanzia è valida entro il territorio degli Stati membri dell'Unione Europea e dell'EFTA (European Free Trade Area).

Se un prodotto Black & Decker risulta difettoso per qualità del materiale, della costruzione o per mancata conformità entro 24 mesi dalla data di acquisto, Black & Decker garantisce la sostituzione delle parti difettose, provvede alla riparazione dei prodotti se ragionevolmente usurati oppure alla loro sostituzione, in modo da ridurre al minimo il disagio del cliente a meno che:

- ◆ Il prodotto non sia stato destinato ad usi commerciali, professionali o al noleggio;
- ◆ Il prodotto non sia stato usato in modo improprio o scorretto;
- ◆ Il prodotto non abbia subito danni causati da oggetti o sostanze estranee oppure incidenti;
- ◆ Il prodotto non abbia subito tentativi di riparazione non effettuati da tecnici autorizzati né dall'assistenza Black & Decker.

Per attivare la garanzia è necessario esibire la prova comprovante l'acquisto al venditore o al tecnico autorizzato.

Per individuare il tecnico autorizzato più vicino, rivolgersi alla sede Black & Decker locale, presso il recapito indicato nel presente manuale. Altrimenti un elenco completo di tutti i tecnici autorizzati Black & Decker e i dettagli completi sui contatti e i servizi post-vendita sono disponibili su Internet presso:

www.2helpU.com

I clienti che desiderano registrare il nuovo prodotto Black & Decker e ricevere gli aggiornamenti sui nuovi prodotti e le offerte speciali, sono invitati a visitare il sito Web (**www.blackanddecker.it**). Ulteriori informazioni sul marchio e la gamma di prodotti Black & Decker sono disponibili all'indirizzo **www.blackanddecker.it**

Gebruik volgens bestemming

Uw Black & Decker Dustbuster® is bedoeld voor lichte droge stofzuigklusjes.

Veiligheidsvoorschriften

- ◆ **Waarschuwing!** Bij het gebruik van accugevoede apparaten dienen ter bescherming tegen brandgevaar, vrijkomen van accuvloeistof, letsel en materiële schade altijd gepaste veiligheidsmaatregelen in acht te worden genomen, waaronder de volgende veiligheidsvoorschriften.
- ◆ Lees de gehele gebruiksaanwijzing aandachtig door voordat u het apparaat gaat gebruiken.
- ◆ Het bedoelde gebruik wordt in deze handleiding beschreven. Gebruik ter voorkoming van lichamelijk letsel uitsluitend de in deze gebruiksaanwijzing aanbevolen accessoires en hulpstukken. Gebruik het apparaat uitsluitend waarvoor het bedoeld is.
- ◆ Bewaar deze instructies zorgvuldig.

Gebruik van het apparaat

- ◆ Gebruik het apparaat niet om vloeistoffen of brandbare materialen op te zuigen.
- ◆ Gebruik het apparaat niet in de buurt van water. Dompel het apparaat niet in water onder.
- ◆ Trek niet aan het snoer van de oplader om de stekker uit het stopcontact te halen. Houd het snoer van de oplader uit de buurt van warmtebronnen, olie en scherpe randen.

Na gebruik

- ◆ Trek voordat u de oplader of de opladerhouder gaat schoonmaken de stekker uit het stopcontact.
- ◆ Indien niet in gebruik moet het apparaat op een droge plaats worden opgeborgen. Kinderen mogen geen toegang hebben tot opgeborgen apparaten.

Inspectie en reparatie

- ◆ Controleer het apparaat voor gebruik op beschadigde of defecte onderdelen. Controleer op kapotte

onderdelen, beschadigingen aan schakelaars en enige andere zaken die de werking nadelig kunnen beïnvloeden.

- ◆ Gebruik het apparaat niet als een onderdeel beschadigd of defect is.
- ◆ Defecte onderdelen dienen door een erkend servicecentrum te worden gerepareerd of vervangen.
- ◆ Controleer regelmatig het snoer van de oplader op beschadigingen. Vervang de oplader als het snoer beschadigd of defect is.
- ◆ Probeer nooit om enig onderdeel anders dan in deze handleiding beschreven te verwijderen of te vervangen.

Overige risico's

Er kunnen zich tijdens het gebruik van het gereedschap ook andere risico's voordoen die misschien niet in de bijgevoegde veiligheidswaarschuwingen worden vermeld. Deze risico's kunnen zich voordoen als gevolg van onoordeelkundig gebruik, langdurig gebruik, enz.

Zelfs als de veiligheidsvoorschriften in acht worden genomen en de veiligheidsvoorzieningen worden geïmplementeerd, kunnen bepaalde risico's niet worden vermeden. Deze omvatten:

- ◆ Verwondingen die worden veroorzaakt door het aanraken van draaiende of bewegende onderdelen.
- ◆ Verwondingen die worden veroorzaakt bij het vervangen van onderdelen, bladen of accessoires.
- ◆ Verwondingen die worden veroorzaakt door langdurig gebruik van het gereedschap. Als u langere periodes met het gereedschap werkt, is het raadzaam om regelmatig een pauze in te laten.
- ◆ Gehoorbeschadiging.
- ◆ Gezondheidsrisico's als gevolg van het inademen van stof dat door gebruik van het gereedschap wordt veroorzaakt (bijvoorbeeld: tijdens het werken met hout, vooral eiken, beuken en MDF).

Veiligheid van anderen

- ◆ Dit apparaat is niet bedoeld voor gebruik door personen (inclusief kinderen) met beperkt lichamelijk, zintuigelijk of geestelijk vermogen, of gebrek aan ervaring en kennis, tenzij ze de supervisie of instructie is gegeven omtrent het gebruik van het apparaat door een persoon die verantwoordelijk is voor hun veiligheid.
- ◆ Houd toezicht op kinderen om te voorkomen dat zij met het apparaat gaan spelen.

Aanvullende veiligheidsvoorschriften voor accu's en opladers

Accu's

- ◆ Probeer nooit een accu te openen.
- ◆ Stel de accu niet aan water bloot.
- ◆ Stel de accu niet aan warmtebronnen bloot.
- ◆ Bewaar accu's niet op plaatsen waar de temperatuur hoger kan worden dan 40 °C.
- ◆ Laad accu's uitsluitend op bij een omgevingstemperatuur tussen 10 °C en 40 °C.
- ◆ Laad accu's uitsluitend op met behulp van de meegeleverde oplader.
- ◆ Volg bij het weggooien van accu's de instructies in de paragraaf "Milieu" op.
- ◆ Beschadig en vervorm de accu niet door het lek prikken en door botsing, omdat dit letsel en brandgevaar op kan leveren.
- ◆ Laad geen beschadigde accu's op.
- ◆ Onder extreme gebruikscondities kan er vloeistof uit de accu vrijkomen. Als u vloeistof op de batterijen opmerkt, gaat u als volgt te werk:
- ◆ Verwijder met behulp van een doekje voorzichtig de vloeistof van de accu. Vermijd huidcontact.
- ◆ Als de vloeistof toch in aanraking komt met de huid of de ogen, volgt u de onderstaande instructies op.

Waarschuwing! De accuvloeistof kan ernstig letsel of schade aan eigendommen veroorzaken. Indien accuvloeistof met de huid in aanraking is gekomen, spoel dan de huid onmiddellijk met water af.

Raadpleeg in geval van rode uitslag, pijn of irritatie onmiddellijk een arts. Indien accuvloeistof met het oog in aanraking is gekomen, spoel dan onmiddellijk het oog met water.

Opladers

Uw oplader is ontwikkeld voor een bepaalde spanning. Controleer altijd of de netspanning overeenkomt met het voltage op het typeplaatje.

Waarschuwing! Vervang de oplader nooit door een netstekker.

- ◆ Gebruik uw Black & Decker oplader uitsluitend voor het opladen van accu's van het meegeleverde type. Andere accu's kunnen scheuren en zo letsel en materiële schade veroorzaken.
- ◆ Probeer nooit niet-oplaadbare accu's op te laden.
- ◆ Laat een beschadigd netsnoer vervangen door de fabrikant of een erkend Black & Decker Servicecentrum om gevaren te voorkomen.
- ◆ Stel de oplader niet aan water bloot.
- ◆ Open de oplader niet.
- ◆ Doorboor de oplader niet.
- ◆ Het apparaat/gereedschap/accu moeten tijdens het opladen in een goed geventileerde ruimte worden geplaatst.

Elektrische veiligheid

Uw oplader is ontwikkeld voor een bepaalde spanning. Controleer altijd of de netspanning overeenkomt met het voltage op het typeplaatje. Vervang de oplader nooit door een netstekker.

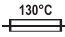
Pictogrammen op de oplader




Uw oplader is dubbel geïsoleerd; een aardaansluiting is daarom niet noodzakelijk.



Storingbestendige scheidingstransformator. De netspanning is elektrisch gescheiden van de uitgangsspanning van de transformator.

 130°C De oplader sluit automatisch af als de omgevingstemperatuur te hoog wordt. Zodra de omgevingstemperatuur is gedaald, zal de oplader opnieuw gaan werken.

 De oplader is uitsluitend bedoeld voor gebruik binnenshuis.

Onderdelen

1. Aan/uit-schakelaar
1. Twee snelheden aan/uit-schakelaar (CV1205)
2. Ontgrendelknop
3. Neus
4. Oplaadstation
5. Wiel voor schoonmaken filter (CV9605/CV1205)
6. Oplaadindicator

Fig. A

7. Spleetzuigmondstuk
8. Borstelzuigmondstuk

Installatie

Het oplaadstation aan de muur monteren (fig. B)

Het oplaadstation kan op een werkbank of aan de muur worden gemonteerd om het apparaat een geschikte opbergplaats en oplaadpunt te geven.

Assemblage

Bevestigen van de accessoires (fig. A & C)

Deze modellen worden geleverd met de volgende accessoires:

- ◆ een spleetzuigmondstuk (7) voor nauwe ruimtes
- ◆ een borstelzuigmondstuk (8) voor meubels en trappen

Ga als volgt te werk bij het plaatsen van een accessoire:

- ◆ Haal de accessoires van het apparaat.
- ◆ Plaats het juiste accessoire op de voorkant van het apparaat.

Gebruik

- ◆ Voor het eerste gebruik moet de accu ten minste 24 uur worden opgeladen.
- ◆ Plaats het apparaat als het niet wordt gebruikt op het oplaadstation.

Opladen van de accu (fig. B)

- ◆ Controleer of het apparaat is uitgeschakeld. De accu wordt niet opgeladen als de aan/uitschakelaar op aan staat.
- ◆ Plaats het apparaat op het oplaadstation zoals aangegeven.
- ◆ Steek de stekker van de oplader in het stopcontact. Schakel het apparaat in. De oplaadindicator (6) zal gaan branden.
- ◆ Laat het apparaat ten minste 24 uur opladen.

Tijdens het opladen kan de oplader warm worden. Dit is normaal en duidt niet op problemen. Het apparaat kan voor onbepaalde tijd op de oplader aangesloten blijven. De oplaadindicator zal gaan branden zolang het apparaat is aangesloten aan de oplader in het stopcontact.

Waarschuwing! Laad de accu niet op bij omgevingstemperaturen onder 10 °C of boven 40 °C.

Aan- en uitschakelen (fig. D)

- ◆ Om het apparaat in te schakelen schuift u de aan/uit-schakelaar (1) naar voren.
- ◆ Om het apparaat uit te schakelen schuift u de aan/uit-schakelaar naar achteren.

CV1205/CV9605 - Optimaliseren van de zuigkracht (fig. E)

Om de zuigkracht optimaal te houden, moet het filter tijdens gebruik regelmatig worden vrijgemaakt van stof.

- ◆ Draai het wiel (5) een aantal slagen om het stof dat het filter (9) verstopt eruit te schudden.

Reiniging en onderhoud

Waarschuwing! Reinig de filters regelmatig.

Reinigen van de neus en filters (fig. F & J)

De filters zijn geschikt voor hergebruik en moeten regelmatig worden gereinigd.

- ◆ Druk op de ontgrendelknop (2) en verwijder de neus (3) (fig. F).
- ◆ Maak de neus leeg (fig. G)
- ◆ Verwijder de filters (9 & 10) door ze rechtsom te draaien (fig. H).
- ◆ Borstel het losse stof van de filters.
- ◆ Spoel de filters uit in warm sop (fig. I). De neus kan ook worden afgewassen, indien noodzakelijk. Dompel het apparaat niet in water onder (fig. J).
- ◆ Zorg ervoor dat de neus en de filters droog zijn.
- ◆ Plaats de filters (9 & 10) terug op het apparaat; draai de filters linksom totdat ze op hun plaats vastklikken.
- ◆ Plaats de neus weer op het apparaat terug. Zorg dat de neus op de plaats klikt.

Waarschuwing! Gebruik het apparaat nooit zonder de filters. Alleen met schone filters en een lege neus kan stof optimaal worden opgezogen.

CV1205/CV7205/CV9605 - Reinigen van het uitlaatfilter (fig. K)

- ◆ Open de klep (11).
- ◆ Verwijder het filter (12) uit de uitsparing.
- ◆ Spoel het filter uit in warm sop.
- ◆ Zorg ervoor dat het filter droog is.
- ◆ Plaats het filter (12) terug.
- ◆ Sluit de klep.

Vervangen van de filters

De filters moeten iedere zes tot negen maanden worden vervangen, alsook wanneer ze versleten of beschadigd zijn. Vervangende filters zijn verkrijgbaar bij uw Black & Deckerdealer (catalogusnummer: VF45 voor CV9605H; catalogusnummer: VF40 voor alle overige modellen).

- ◆ Verwijder de oude filters zoals hierboven beschreven.
- ◆ Monteer de nieuwe filters zoals hierboven beschreven.

Milieu



Gescheiden inzameling. Dit product mag niet met het gewone huishoudelijke afval worden weggegooid.

Wanneer uw oude Black & Decker-product aan vervanging toe is of het u niet langer van dienst kan zijn, gooi het dan niet bij het huishoudelijk afval. Zorg ervoor dat het product gescheiden kan worden ingezameld.



Door gebruikte producten en verpakkingen gescheiden in te zamelen, worden de materialen gerecycled en opnieuw gebruikt. Hergebruik van gerecyclede materialen voorkomt milieuvuiling en vermindert de vraag naar grondstoffen.

Inzamelpunten voor gescheiden inzameling van elektrische huishoudproducten bij gemeentelijke vuilnisbergen of bij de verkoper waar u een nieuw product koopt, kunnen aan plaatselijke voorschriften gebonden zijn.

Black & Decker biedt de mogelijkheid tot inzamelen en recyclen van afgedankte Black & Decker producten. Om gebruik van deze service te maken, dient u het product aan een van onze servicecentra te sturen, die voor ons de inzameling verzorgen.

U kunt het adres van het dichtstbijzijnde servicecentrum opvragen via de adressen op de achterzijde van deze handleiding. U kunt ook een lijst van onze servicecentra en meer informatie m.b.t. onze klantenservice vinden op het volgende Internet-adres: www.2helpU.com

Accu (fig. L - N)



Black & Decker accu's kunnen vele malen opnieuw worden opgeladen. Versleten accu's dienen op milieubewuste wijze te worden verwijderd.

Verwijder als u het apparaat zelf wilt weggooien de accu zoals hieronder beschreven en voer deze vervolgens in overeenstemming met de plaatselijke voorschriften af.

- ◆ Maak bij voorkeur de accu leeg door het apparaat te gebruiken tot de motor stopt.

De accu bevindt zich onder het achterste gedeelte van het apparaat.

- ◆ Haal de accessoires van het apparaat.
- ◆ Verwijder de schroeven (13).
- ◆ Ontgrendel de lippen (14) die de accessoirehouder op zijn plaats houden.
- ◆ Verwijder de accessoirehouder (15).
- ◆ Verwijder de schroeven (16) die de accu op zijn plaats houden.
- ◆ Schuif de accu (17) naar achteren zoals afgebeeld.
- ◆ Verwijder de accu.
- ◆ Plaats de accu in een geschikte verpakking, zodat de accucontacten niet kunnen worden kortgesloten.
- ◆ Breng de accu naar uw handelaar of naar een plaatselijk verwerkingscentrum voor klein chemisch afval.

Waarschuwing! Eenmaal verwijderd kan de accu niet worden teruggeplaatst.

Technische gegevens

	CV1205 H2	CV7205 H2 CV7205B H2
Spanning	V 12	7,2
Gewicht	kg 1,4	1,1

	CV9605 H2 CV9605G H2 CV9605H H2 CV9605P H2	V4805 H2 V4805Y H2 V4806 H2 V4807 H2
Spanning	V 9,6	4,8
Gewicht	kg 1,3	0,9

	V6005 H2
Spanning	V 6,0
Gewicht	kg 1,0

Oplader

	**090020D	**100015D
Model	V48	V60
Ingangsspanning	V_{AC} 230	230
Uitgangsspanning	V_{AC} 9	10
Amperage	mA 200	150
Gemiddelde oplaadtijd	h 24	24
Gewicht	kg 0,3	0,3

	**110020D	**140020D
Model	CV72	CV96
Ingangsspanning	V_{AC} 230	230
Uitgangsspanning	V_{AC} 11	14
Amperage	mA 200	200
Gemiddelde oplaadtijd	h 24	24
Gewicht	kg 0,3	0,3

	CHA002014*
Model	CV12
Ingangsspanning	V_{AC} 100-240
Uitgangsspanning	V_{DC} 7,2-24
Amperage	mA 85
Gemiddelde oplaadtijd	h 24
Gewicht	kg 0,3

Niveau van de geluidsdruk volgens EN 60704-1:

Geluidsdruk (L_{pA}) < 70 dB(A), onzekerheid (K) 3 dB(A)

Garantie

Black & Decker heeft vertrouwen in zijn producten en biedt een uitstekende garantie. Deze garantiebepalingen vormen een aanvulling op uw wettelijke rechten en beperken deze niet. De garantie geldt in de lidstaten van de Europese Unie en de Europese Vrijhandelsassociatie.

Mocht uw Black & Decker product binnen 24 maanden na datum van aankoop defect raken tengevolge van materiaal- of constructiefouten, dan garanderen wij de kosteloze vervanging van defecte onderdelen, de reparatie van het product of de vervanging van het product, tenzij:

- ◆ Het product is gebruikt voor handelsdoeleinden, professionele toepassingen of verhuurdoeleinden;
- ◆ Het product onoordeelkundig is gebruikt;
- ◆ Het product is beschadigd door invloeden van buitenaf of door een ongeval;
- ◆ Reparaties zijn uitgevoerd door anderen dan onze servicecentra of Black & Decker personeel.

Om een beroep op de garantie te doen, dient u een aankoopbewijs te overhandigen aan de verkoper of een van onze servicecentra. U kunt het adres van het dichtstbijzijnde servicecentrum opvragen via de adressen op de achterzijde van deze handleiding. U kunt ook een lijst van onze servicecentra en meer informatie m.b.t. onze klantenservice vinden op het volgende Internet-adres: **www.2helpU.com**

Meld u aan op onze website **www.blackanddecker.nl** om te worden geïnformeerd over nieuwe producten en speciale aanbiedingen. Verdere informatie over het merk Black & Decker en onze producten vindt u op **www.blackanddecker.nl**

Finalidad

El aspirador de mano Dustbuster® de Black & Decker ha sido diseñado para trabajos ligeros de limpieza en seco por aspiración.

Instrucciones de seguridad

- ◆ **¡Atención!** Cuando use aparatos que funcionen con baterías, debe adoptar siempre las precauciones de seguridad básicas, incluidas las siguientes, a fin de reducir el riesgo de incendio, pérdida del líquido de las baterías, lesiones personales y daños materiales.
- ◆ Lea completamente este manual antes de utilizar el aparato.
- ◆ En este manual se explica el uso previsto para este aparato. El uso de otros accesorios o adaptadores, o la propia utilización de este aparato en cualquier forma diferente de las recomendadas en este manual de instrucciones, puede constituir un riesgo de lesiones a las personas.
- ◆ Conserve este manual a mano para consultas posteriores.

Utilización del aparato

- ◆ No use este aparato para recoger líquidos o materiales inflamables.
- ◆ No utilice este aparato cerca de agua. No sumerja el aparato en el agua.
- ◆ Nunca tire del cable del cargador para desconectar éste del enchufe. Proteja el cable del cargador del calor, del aceite y de los bordes afilados.

Después del uso

- ◆ Desconecte el cargador antes de limpiar el cargador o la base de carga.
- ◆ Cuando no se use, el aparato debe guardarse en un lugar seco. Los niños no deben tener acceso a los aparatos guardados.

Inspección y reparaciones

- ◆ Antes del uso, revise el aparato para ver si está dañado o tiene piezas defectuosas. Compruebe si hay alguna pieza rota, algún interruptor dañado o cualquier cosa que pudiera afectar a su funcionamiento.
- ◆ No utilice el aparato si hay alguna

pieza dañada o defectuosa.

- ◆ Encargue al servicio técnico autorizado que repare o sustituya las piezas defectuosas o averiadas.
- ◆ Compruebe periódicamente el estado del cable del cargador. Sustituya el cargador cuando el cable esté dañado o defectuoso.
- ◆ Nunca intente extraer o sustituir ninguna de las piezas que no sean las especificadas en este manual.

Riesgos residuales

El uso de esta herramienta puede producir riesgos residuales adicionales no incluidos en las advertencias de seguridad adjuntas. Estos riesgos se pueden generar por un uso incorrecto, demasiado prolongado, etc.

El cumplimiento de las normas de seguridad correspondientes y el uso de dispositivos de seguridad no evitan ciertos riesgos residuales. Estos riesgos incluyen:

- ◆ Lesiones producidas por el contacto con piezas móviles o giratorias.
- ◆ Lesiones producidas al cambiar cualquier pieza, cuchilla o accesorio.
- ◆ Lesiones producidas al usar una herramienta por un tiempo demasiado prolongado. Si utiliza una herramienta durante períodos de tiempo demasiado prolongados, asegúrese de realizar pausas con frecuencia.
- ◆ Discapacidad auditiva.
- ◆ Riesgos para la salud producidos al respirar el polvo que se genera al usar la herramienta (por ejemplo: en los trabajos con madera, especialmente de roble, haya y tableros de densidad mediana).

Seguridad de otras personas

- ◆ Este aparato no está destinado para ser utilizado por personas (niños incluidos) con capacidades físicas, sensoriales o mentales reducidas, o que carezcan de experiencia y conocimiento, a menos que reciban supervisión o instrucción respecto al uso del aparato por una persona responsable de su seguridad.
- ◆ Debe vigilarse a los niños para asegurarse de que no jueguen con el aparato.

Instrucciones de seguridad adicionales para baterías y cargadores

Baterías

- ◆ Nunca, por ningún motivo, trate de abrir las baterías.
- ◆ No exponga la batería al agua.
- ◆ No exponga la batería al calor.
- ◆ No las almacene en lugares donde la temperatura pueda exceder los 40 °C.
- ◆ Cargue las baterías únicamente a temperaturas entre 10 °C y 40 °C.
- ◆ Recargue utilizando únicamente el cargador suministrado con el aparato/ la herramienta.
- ◆ Cuando deseche las baterías, siga las instrucciones indicadas en la sección "Protección del medio ambiente".
- ◆ No dañe/deforme la batería mediante perforaciones o impactos, ya que esto puede generar un riesgo de lesiones e incendio.
- ◆ No cargue una batería que haya sufrido daños.
- ◆ Bajo condiciones extremas, las baterías podrían perder líquido. Si observa que las baterías han perdido líquido, proceda del siguiente modo:
- ◆ Limpie cuidadosamente el líquido con un paño. Evite el contacto con la piel.
- ◆ En caso de producirse contacto con la piel o los ojos, siga estas instrucciones.

¡Atención! El líquido de las baterías puede provocar lesiones personales o daños materiales. En caso de que entre en contacto con la piel, lávese inmediatamente con agua. En caso de producirse enrojecimiento, dolor o irritación, acuda a un médico. En caso de contacto con los ojos, enjuáguelos inmediatamente con agua limpia y acuda al médico.

Cargadores

El cargador ha sido diseñado para una tensión determinada. Compruebe siempre que la tensión de la red corresponda al valor indicado en la placa de características.

¡Atención! Nunca intente sustituir el cargador por un enchufe normal a la red.

- ◆ Use el cargador Black & Decker únicamente para cargar la batería del aparato/de la herramienta con que se ha suministrado. Otras baterías podrían estallar, causando daños y lesiones personales.
- ◆ Nunca intente cargar baterías no recargables.
- ◆ Si el cable eléctrico está estropeado, debe ser sustituido por el fabricante o un servicio técnico autorizado de Black & Decker con el fin de evitar accidentes.
- ◆ No exponga el cargador al agua.
- ◆ No abra el cargador.
- ◆ No manipule el cargador.
- ◆ El aparato/la herramienta/la batería debe colocarse en un lugar bien ventilado durante la carga.

Seguridad eléctrica

El cargador ha sido diseñado para una tensión determinada. Compruebe siempre que la tensión de la red corresponda al valor indicado en la placa de características. Nunca intente sustituir el cargador por un enchufe normal a la red.

Símbolos del cargador



El cargador lleva un doble aislamiento; por lo tanto no requiere una toma a tierra.



Transformador aislante a prueba de averías. La alimentación de corriente está separada eléctricamente de la salida del transformador.



El cargador se desconecta automáticamente si la temperatura ambiente es demasiado elevada. En cuanto la temperatura ambiente haya disminuido, el cargador seguirá funcionando.



El cargador está pensado únicamente para su uso en interiores.

Características

1. Interruptor de encendido/apagado
1. Interruptor de encendido/apagado de dos velocidades (CV1205)
2. Botón de liberación
3. Depósito de polvo
4. Base de carga
5. Rueda de limpieza del filtro (CV9605/CV1205)
6. Indicador de carga

Fig. A

7. Útil con hendidura
8. Cepillo

Instalación

Montaje de la base de carga en la pared (fig. B)

Para obtener un lugar adecuado de carga y almacenaje del aparato, la base de carga se puede colocar sobre una encimera o montarse en la pared.

Montaje

Instalación de los accesorios (fig. A & C)

Estos modelos se suministran con los accesorios siguientes:

- ◆ un útil con hendidura (7) para espacios reducidos
- ◆ un cepillo (8) para muebles y escaleras.

Para colocar un accesorio, proceda de la forma siguiente:

- ◆ Saque los accesorios del aparato.
- ◆ Introduzca el accesorio correspondiente en la parte delantera del aparato.

Uso

- ◆ Antes del primer uso, cargue la batería durante 24 horas como mínimo.
- ◆ Coloque el aparato en la base de carga siempre que no se esté utilizando.

Carga de la batería (fig. B)

- ◆ Asegúrese de que el aparato esté apagado. La batería no carga cuando el interruptor de encendido/apagado está en la posición de encendido.
- ◆ Coloque el aparato en la base de carga tal como se muestra.
- ◆ Enchufe el cargador. Conecte la corriente de red.

El indicador de carga (6) se encenderá.

- ◆ Deje que el aparato se cargue durante al menos 24 horas.

Durante la carga, el cargador puede llegar a calentarse. Esto es normal y no constituye ningún problema. El aparato puede dejarse conectado al cargador indefinidamente.

El indicador de carga permanecerá encendido mientras el aparato esté conectado al cargador enchufado.

¡Atención! No cargue la batería a una temperatura ambiente inferior a 10 °C o superior a 40 °C.

Encendido y apagado (fig. D)

- ◆ Para encender el aparato, deslice el interruptor de encendido/apagado (1) hacia delante.
- ◆ Para apagar el aparato, deslice el interruptor on/off hacia atrás.

CV1205/CV9605 - Optimización de la potencia de aspiración (fig. E)

Para mantener una potencia de aspiración óptima, el filtro debe limpiarse periódicamente durante el uso.

- ◆ Gire la rueda (5) unas cuantas vueltas para sacudir el polvo que obstruye el filtro (9).

Limpieza y mantenimiento

¡Atención! Limpie periódicamente los filtros.

Limpieza de la cubeta del polvo y de los filtros (fig. F - J)

Los filtros son reutilizables y deben limpiarse periódicamente.

- ◆ Presione el botón liberador (2) y retire el depósito o cubeta del polvo (3) (fig. F).
- ◆ Vacíe el depósito de polvo (fig. G).

- ◆ Saque los filtros (9 & 10) girándolos en el sentido de las agujas del reloj (fig. H).
- ◆ Cepille los filtros para eliminar partículas de polvo sueltas.
- ◆ Lave los filtros con agua templada, jabonosa (fig. I). Si fuera necesario se puede lavar también el depósito. No sumerja el aparato en el agua (fig. J).
- ◆ Compruebe que el depósito de polvo y los filtros estén secos.
- ◆ Vuelva a colocar los filtros (9 & 10) en el aparato, girándolos en sentido contrario a las agujas del reloj hasta que encajen en su posición.
- ◆ Vuelva a colocar el depósito de polvo en el aparato. Compruebe que el depósito de polvo encaje en su posición.

¡Atención! Nunca utilice el aparato sin los filtros. Una recogida de polvo óptima sólo resulta posible cuando los filtros están limpios y el depósito de polvo está vacío.

CV1205/CV7205/CV9605 - Limpieza del filtro de evacuación (fig. K)

- ◆ Abra la tapa (11).
- ◆ Quite el filtro (12) de la cavidad.
- ◆ Lave el filtro con agua templada jabonosa.
- ◆ Asegúrese de que el filtro esté seco.
- ◆ Vuelva a colocar el filtro (12).
- ◆ Cierre la tapa.

Sustitución de los filtros

Los filtros deben cambiarse cada 6-9 meses y siempre que estén gastados o dañados. Los filtros de recambio se encuentran disponibles en su distribuidor Black & Decker (número de catálogo: VF45 para CV9605H; número de catálogo: VF40 para todos los otros modelos).

- ◆ Retire los filtros usados como se ha descrito anteriormente.
- ◆ Coloque los filtros nuevos como se ha descrito anteriormente.

Protección del medio ambiente



Separación de desechos. Este producto no debe desecharse con la basura doméstica normal.

Si llega el momento de reemplazar su producto Black & Decker o éste ha dejado de tener utilidad para usted, no lo deseche con la basura doméstica normal. Asegúrese de que este producto se deseche por separado.



La separación de desechos de productos usados y embalajes permite que los materiales puedan reciclarse y reutilizarse. La reutilización de materiales reciclados ayuda a evitar la contaminación medioambiental y reduce la demanda de materias primas.

La normativa local puede prever la separación de desechos de productos eléctricos de uso doméstico en centros municipales de recogida de desechos o a través del distribuidor cuando adquiere un nuevo producto.

Black & Decker proporciona facilidades para la recogida y el reciclado de los productos Black & Decker que hayan llegado al final de su vida útil. Para hacer uso de este servicio, devuelva su producto a cualquier servicio técnico autorizado, que lo recogerá en nuestro nombre.

Pueden consultar la dirección de su servicio técnico más cercano poniéndose en contacto con la oficina local de Black & Decker en la dirección que se indica en este manual. Como alternativa, puede consultar en Internet la lista de servicios técnicos autorizados e información completa de nuestros servicios de posventa y contactos en la siguiente dirección: www.2helpU.com

Batería (fig. L - N)



Las baterías Black & Decker pueden recargarse muchas veces. Al final de su vida útil, deseche las baterías con el debido respeto al medio ambiente.

Si desea deshacerse del producto usted mismo, debe extraer la batería como se describe a continuación y desecharla de acuerdo con la normativa local.

- ◆ Preferiblemente, descargue la batería haciendo funcionar el aparato hasta que se pare el motor.

La batería esta situada debajo del extremo posterior del aparato.

- ◆ Saque los accesorios del aparato.
- ◆ Quite los tornillos (13).
- ◆ Libere las pestañas (14) que sujetan el portaccesorios en su sitio.
- ◆ Retire el portaccesorios (15).
- ◆ Quite los tornillos (16) sujetando la batería en su sitio.
- ◆ Deslice la batería (17) hacia atrás como se muestra.
- ◆ Extraiga la batería.
- ◆ Coloque la batería en un embalaje adecuado para garantizar que sus terminales no puedan entrar en cortocircuito.
- ◆ Entregue las baterías al servicio técnico o depositelas en un centro local de reciclaje.

¡Atención! Una vez extraída, no se puede volver a montar la batería.

Características técnicas

	CV1205 H2	CV7205 H2 CV7205B H2
Voltaje	V 12	7,2
Peso	kg 1,4	1,1

	CV9605 H2 CV9605G H2 CV9605H H2 CV9605P H2	V4805 H2 V4805Y H2 V4806 H2 V4807 H2
Voltaje	V 9,6	4,8
Peso	kg 1,3	0,9

	V6005 H2
Voltaje	V 6,0
Peso	kg 1,0

Cargador

	**090020D	**100015D
Modelo	V48	V60
Tensión de la red V_{AC}	230	230
Voltaje de salida V_{AC}	9	10
Amperaje mA	200	150
Tiempo aproximado de carga	h 24	24
Peso	kg 0,3	0,3

	**110020D	**140020D
Modelo	CV72	CV96
Tensión de la red V_{AC}	230	230
Voltaje de salida V_{AC}	11	14
Amperaje mA	200	200
Tiempo aproximado de carga	h 24	24
Peso	kg 0,3	0,3

	CHA002014*
Modelo	CV12
Tensión de la red V_{AC}	100-240
Voltaje de salida V_{DC}	7,2-24
Amperaje mA	85
Tiempo aproximado de carga	h 24
Peso	kg 0,3

Nivel de la presión acústica según EN 60704-1:

Presión acústica (L_{pa}) < 70 dB(A), incertidumbre (K) 3 dB(A)

Garantía

Black & Decker confía plenamente en la calidad de sus productos y ofrece una garantía extraordinaria. Esta declaración de garantía es un añadido, y en ningún caso un perjuicio para sus derechos estatutarios. La garantía es válida dentro de los territorios de los Estados Miembros de la Unión Europea y de los de la Zona Europea de Libre Comercio.

Si un producto Black & Decker resultará defectuoso debido a materiales o mano de obra defectuosos o a la falta de conformidad, Black & Decker garantiza, dentro de los 24 meses de la fecha de compra, la sustitución de las piezas defectuosas, la reparación de los productos sujetos a un desgaste y rotura razonables o la sustitución de tales productos para garantizar al cliente el mínimo de inconvenientes, a menos que:

- ◆ El producto haya sido utilizado con propósitos comerciales, profesionales o de alquiler;
- ◆ El producto haya sido sometido a un uso inadecuado o negligente;
- ◆ El producto haya sufrido daños causados por objetos o sustancias extrañas o accidentes;
- ◆ Se hayan realizado reparaciones por parte de personas que no sean los servicios de reparación autorizados o personal de servicios de Black & Decker.

Para reclamar en garantía, será necesario que presente la prueba de compra al vendedor o al servicio técnico de reparaciones autorizado. Pueden consultar la dirección de su servicio técnico más cercano poniéndose en contacto con la oficina local de Black & Decker en la dirección que se indica en este manual. Como alternativa, se puede consultar en Internet, en la dirección siguiente, la lista de servicios técnicos autorizados e información completa de nuestros servicios de postventa y contactos:

www.2helpU.com

Visite nuestro sitio web

www.blackanddecker.eu para registrar su nuevo producto Black & Decker y mantenerse al día sobre nuestros productos y ofertas especiales.

Encontrará información adicional sobre la marca Black & Decker y nuestra gama de productos en **www.blackanddecker.eu**

Utilização

O seu aspirador Dustbuster® Black & Decker foi concebido para serviços leves de aspiração a seco.

Instruções de segurança

- ◆ **Advertência!** Ao utilizar aparelhos alimentados por bateria, é necessário seguir sempre as precauções básicas de segurança, incluindo as detalhadas a seguir, para diminuir os riscos de incêndio, vazamento das baterias, ferimentos pessoais e danos materiais.
- ◆ Leia atentamente este manual antes de utilizar o aparelho.
- ◆ Neste manual indicam-se as utilizações previstas para o aparelho. O uso de qualquer acessório, extensão ou do próprio aparelho em situações diferentes das recomendadas neste manual de instruções pode representar risco de ferimentos pessoais.
- ◆ Guarde este manual para futura consulta.

Utilização do aparelho

- ◆ Não utilize o aparelho para recolha de líquidos ou de materiais inflamáveis.
- ◆ Não utilize o aparelho próximo de água. Não permita que o aparelho seja imerso em água.
- ◆ Nunca puxe o cabo do carregador para desligá-lo da tomada. Proteja o cabo do carregador contra o calor e evite o contacto com gorduras e objectos cortantes.

Após a utilização

- ◆ Antes de limpar a base de carga ou o carregador, deligue-o sempre da corrente.
- ◆ Sempre que não estiver a ser utilizado, o aparelho deve ser guardado num local seco. Guarde o aparelho fora do alcance das crianças.

Inspeção e reparação

- ◆ Antes de utilizar o aparelho, verifique se existem danos ou defeitos nas peças. Verifique se existem peças partidas, interruptores danificados ou quaisquer outros problemas que possam afectar o funcionamento do mesmo.
- ◆ Não utilize o aparelho se houver alguma peça defeituosa ou danificada.
- ◆ Qualquer peça defeituosa ou danificada deverá ser reparada ou substituída por um técnico autorizado.
- ◆ Verifique regularmente se o cabo do carregador apresenta danos. Substitua o carregador caso o cabo esteja danificado ou com algum defeito.
- ◆ Nunca tente remover nem substituir peças por outras que não as especificadas neste manual.

Riscos residuais

Podem surgir riscos residuais adicionais durante a utilização da ferramenta que poderão não constar nos avisos de segurança incluídos. Estes riscos podem resultar de má utilização, uso prolongado, etc.

Mesmo com a aplicação dos regulamentos de segurança relevantes e com a implementação de dispositivos de segurança, alguns riscos residuais não podem ser evitados. Incluem:

- ◆ Ferimentos causados pelo contacto com peças em rotação/movimento.
- ◆ Ferimentos causados durante a troca de peças, lâminas ou acessórios.
- ◆ Ferimentos causados pela utilização prolongada de uma ferramenta. Quando utilizar uma ferramenta por períodos prolongados, faça intervalos regulares.
- ◆ Diminuição da audição.
- ◆ Problemas de saúde causados pela inalação de poeiras resultantes da utilização da ferramenta (exemplo: trabalhos em madeira, especialmente carvalho, faia e MDF).

Segurança de outras pessoas

- ◆ Este aparelho não se destina a ser utilizado por pessoas (incluindo crianças) com reduzidas capacidades físicas, sensoriais ou mentais ou falta de experiência e conhecimentos, a menos que tenham recebido instruções ou sejam supervisionadas relativamente à utilização do aparelho por uma pessoa responsável pela sua segurança.
- ◆ As crianças deverão ser vigiadas para que não brinquem no aparelho.

Instruções de segurança adicionais para baterias e carregadores

Baterias

- ◆ Nunca tente abrir a bateria seja qual for a razão.
- ◆ Não deixe que a bateria entre em contacto com a água.
- ◆ Não exponha a bateria ao calor.
- ◆ Não armazene em locais onde a temperatura possa exceder 40 °C.
- ◆ Carregue somente à temperatura ambiente, entre 10 °C e 40 °C.
- ◆ Carregue utilizando apenas o carregador fornecido com o aparelho/ferramenta.
- ◆ Siga as instruções fornecidas na secção "Protecção do meio ambiente" quando desejar desfazer-se das baterias.
- ◆ Não danifique nem deforme a bateria através de perfuração ou impacto pois tal pode causar risco de lesões ou incêndio.
- ◆ Não carregue baterias danificadas.
- ◆ Sob condições extremas, é possível que a bateria apresente fugas. Quando notar que há líquido nas baterias, proceda da seguinte maneira:
- ◆ Limpe o líquido cuidadosamente utilizando um pano. Evite o contacto com a pele.
- ◆ Em caso de contacto com a pele ou com os olhos, siga as instruções abaixo.

Advertência! O líquido da bateria pode causar ferimentos pessoais ou danos em bens. Em caso de contacto com a pele, lave imediatamente com água. Em caso

de vermelhidão, dor ou irritação, consulte um médico. Em caso de contacto com os olhos, enxagúe imediatamente com água limpa e consulte um médico.

Carregadores

O seu carregador foi concebido para uma tensão de rede específica. Verifique sempre se a tensão eléctrica corresponde à indicada na placa de especificações.

Advertência! Nunca tente substituir o carregador por uma tomada normal.

- ◆ Utilize o seu carregador Black & Decker apenas para carregar as baterias do tipo fornecido com o aparelho / a sua ferramenta. Outras baterias poderiam explodir, causando ferimentos pessoais e danos.
- ◆ Nunca tente carregar baterias não recarregáveis.
- ◆ Se o cabo de alimentação estiver danificado, deverá ser substituído pelo fabricante ou por um Centro de Assistência autorizado pela Black & Decker, de modo a evitar riscos.
- ◆ Não deixe que o carregador entre em contacto com a água.
- ◆ Não abra o carregador.
- ◆ Não submeta o carregador a testes.
- ◆ O aparelho/ferramenta/bateria deve ser colocado/a numa área bem ventilada enquanto carrega.

Segurança eléctrica

O seu carregador foi concebido para uma tensão de rede específica. Verifique sempre se a tensão eléctrica corresponde à indicada na placa de especificações. Nunca tente substituir o carregador por uma tomada normal.

Símbolos no carregador



O seu carregador está duplamente isolado, pelo que não é necessário fio de terra.



Transformador isolado contra falhas. A fonte de alimentação está electricamente separada da saída do transformador.



O carregador desliga-se automaticamente caso a temperatura ambiente fique demasiado elevada. Logo que a temperatura ambiente baixe, o carregador volta a funcionar.



O carregador destina-se apenas a ser utilizado no interior.

Características

1. Interruptor de ligar/desligar
1. Interruptor de ligar/desligar de duas velocidades (CV1205)
2. Botão de libertação
3. Reservatório de pó
4. Base de carga
5. Roda de limpeza do filtro (CV9605/ CV1205)
6. Indicador de carga

Fig. A

7. Bico estreito
8. Escova

Instalação

Instalação da base de carga na parede (fig. B)

A base de carga pode ser colocada sobre uma mesa de trabalho ou colocada na parede de modo a obter um meio de armazenagem e um ponto de carregamento convenientes.

Montagem

Colocação dos acessórios (fig. A & C)

Esses modelos são fornecidos com os seguintes acessórios:

- ◆ um bico estreito (7) para espaços limitados
- ◆ uma escova (8) para móveis e escadas

Para encaixar os acessórios, proceda da seguinte forma:

- ◆ Retire os acessórios do aparelho.
- ◆ Insira o acessório adequado na parte frontal do aparelho.

Utilização

- ◆ Antes da primeira utilização, carregue a bateria pelo menos durante 24 horas seguidas.
- ◆ Coloque o aparelho na base de carga sempre que não o estiver a utilizar.

Carregamento da bateria (fig. B)

- ◆ Assegure-se de que o aparelho está desligado. A bateria não se carregará com o interruptor de ligar/desligar na posição de ligado.
- ◆ Coloque o aparelho na base de carga, conforme o mostrado.
- ◆ Ligue o carregador à corrente eléctrica. Ligue a corrente.

O indicador de carregamento (6) acende-se.

- ◆ Deixe o aparelho a carregar pelo menos durante 24 horas seguidas.

É possível que o carregador aqueça um pouco durante o processo de carga. Isso é normal e não indica qualquer problema. É possível deixar o aparelho ligado ao carregador indefinidamente. O indicador de carregamento acende-se logo que ao aparelho seja ligado ao carregador.

Advertência! Não carregue a bateria em ambientes com temperatura inferior a 10 °C ou superior a 40 °C.

Como ligar e desligar a ferramenta (fig. D)

- ◆ Para ligar o aparelho, empurre o interruptor de ligar/desligar (1) para a frente.
- ◆ Para desligar o aparelho, coloque o interruptor de ligar/desligar para trás.

CV1205/CV9605 - Optimização da força de sucção (fig. E)

De forma a manter a força de sucção, o filtro deve ser limpo regularmente durante a utilização.

- ◆ Rode a roda (5) algumas voltas para retirar o pó depositado no filtro (9).

Limpeza e manutenção

Advertência! Limpe os filtros regularmente.

Limpeza do recipiente do pó e dos filtros (fig. F - J)

Os filtros são reutilizáveis e devem ser limpos regularmente.

- ◆ Prima o botão de remoção (2) e retire o saco (3) (fig. F).
- ◆ Esvazie o recipiente do pó (fig. G)
- ◆ Remova os filtros (9 & 10) torcendo-os para a direita (fig. H).
- ◆ Retire o pó solto dos filtros com uma escova.
- ◆ Lave os filtros em água morna com sabão (fig. I). O reservatório também pode ser lavado se necessário. Não submerja o aparelho na água (fig. J).
- ◆ Assegure-se de que o reservatório de pó e os filtros estão secos.
- ◆ Volte a colocar os filtros (9 & 10) no aparelho, girando-os no sentido contrário ao dos ponteiros do relógio até que façam clique na posição correcta.
- ◆ Encaixe o reservatório de pó no aparelho. Assegure-se de que o reservatório de pó está encaixado no lugar apropriado.

Advertência! Nunca utilize o aparelho sem os filtros. A recolha óptima do lixo irá ocorrer somente com os filtros limpos e o reservatório de pó vazio.

CV1205/CV7205/CV9605 - Limpeza do filtro de exaustão (fig. K)

- ◆ Abra a tampa (11).
- ◆ Remova o filtro (12) do recesso.
- ◆ Lave os filtros em água morna com sabão.
- ◆ Certifique-se de que o filtro está seco.
- ◆ Volte a colocar o filtro (12).
- ◆ Feche a tampa.

Substituição dos filtros

Substitua os filtros em intervalos de 6 a 9 meses e sempre que estiverem gastos ou danificados. Poderá obter filtros para recâmbio através de seu revendedor Black & Decker (número de catálogo: VF45 para CV9605H; número de catálogo: VF40 para todos os outros modelos).

- ◆ Retire os filtros usados conforme descrito acima.
- ◆ Encaixe os filtros novos conforme descrito acima.

Protecção do meio ambiente



Recolha em separado. Não deve deitar este produto fora juntamente com o lixo doméstico normal.

Caso chegue o momento em que um dos seus produtos Black & Decker precise de ser substituído ou decida desfazer-se do mesmo, não o deite fora juntamente com o lixo doméstico. Torne este produto disponível para uma recolha em separado.



A recolha em separado de produtos e embalagens utilizados permite que os materiais sejam reciclados e reutilizados. A reutilização de materiais reciclados ajuda a evitar a poluição ambiental e a reduzir a procura de matérias-primas.

Os regulamentos locais poderão providenciar a recolha em separado de produtos eléctricos junto das casas, em lixeiras municipais ou junto dos fornecedores ao adquirir um novo produto.

A Black & Decker oferece um serviço de recolha e reciclagem de produtos Black & Decker que tenha atingido o fim das suas vidas úteis. Para tirar proveito deste serviço, devolva seu produto a qualquer agente de reparação autorizado, que se encarregará de recolher o equipamento em nosso nome.

Para verificar a localização do agente de reparação mais próximo de si, contacte o escritório local da Black & Decker no endereço indicado neste manual. Se preferir, consulte a lista de agentes autorizados da Black & Decker e os dados completos dos nossos serviços de atendimento pós-venda na Internet no endereço: www.2helpU.com

Bateria (fig. L - N)



As baterias Black & Decker podem ser recarregadas inúmeras vezes. No final da respectiva vida útil, deite fora as baterias tendo sempre em mente o cuidado com o meio ambiente.

Caso deseje desfazer-se do produto por sua conta, remova a bateria conforme os procedimentos abaixo e descarte-a de acordo com as normas locais.

- ◆ De preferência, descarregue a bateria deixando o motor a funcionar até parar.

A bateria está localizada na parte posterior do aparelho.

- ◆ Retire os acessórios do aparelho.
- ◆ Retire os parafusos (13).
- ◆ Desprenda as patilhas (14) fixando o suporte do acessório.
- ◆ Remova o suporte do acessório (15).
- ◆ Remova os parafusos (16) que suportam a bateria.
- ◆ Arraste a bateria (17) para trás como mostrado.
- ◆ Retire a bateria.
- ◆ Coloque a bateria numa embalagem apropriada para garantir que os terminais não possam entrar em curto-circuito.
- ◆ Leve-a ao seu distribuidor ou a uma estação local de reciclagem.

Advertência! Uma vez removida, não será possível recolocar a bateria.

Dados técnicos

	CV1205 H2	CV7205 H2 CV7205B H2
Voltagem	V 12	7,2
Peso	kg 1,4	1,1

	CV9605 H2	V4805 H2 CV9605G H2 V4805Y H2 CV9605H H2 V4806 H2 CV9605P H2 V4807 H2
Voltagem	V 9,6	4,8
Peso	kg 1,3	0,9

V6005 H2

Voltagem	V 6,0
Peso	kg 1,0

Carregador

	**090020D	**100015D
Modelo	V48	V60
Voltagem	V_{AC} 230	230
Voltagem de saída	V_{AC} 9	10
Amperagem	mA 200	150
Tempo aproximado de carregamento	h 24	24
Peso	kg 0,3	0,3

	**110020D	**140020D
Modelo	CV72	CV96
Voltagem	V_{AC} 230	230
Voltagem de saída	V_{AC} 11	14
Amperagem	mA 200	200
Tempo aproximado de carregamento	h 24	24
Peso	kg 0,3	0,3

	CHA002014*
Modelo	CV12
Voltagem	V_{AC} 100-240
Voltagem de saída	V_{DC} 7,2-24
Amperagem	mA 85
Tempo aproximado de carregamento	h 24
Peso	kg 0,3

Nível de pressão de ruído segundo a EN 60704-1:

Pressão acústica (L_{pA}) < 70 dB(A), imprecisão (K) 3 dB(A)

Garantia

A Black & Decker confia na qualidade de seus produtos e oferece um programa de garantia excelente. Esta declaração de garantia soma-se aos seus direitos legais e não os prejudica em nenhum aspecto. A garantia será válida nos territórios dos Estados Membros da União Europeia e na Área de Livre Comércio da Europa.

Caso algum produto da Black & Decker apresente avarias devido a defeitos de material, mão-de-obra ou ausência de conformidade no prazo de 24 meses a partir da data de compra, a Black & Decker garantirá a substituição das peças defeituosas, a reparação dos produtos que foram submetidos a uso adequado e remoção ou substituição dos mesmos para assegurar o mínimo de inconvenientes ao cliente a menos que:

- ◆ O produto tenha sido utilizado para fins comerciais, profissionais ou aluguer;
- ◆ O produto tenha sido submetido a uso incorrecto ou descuido;
- ◆ O produto tenha sofrido danos causados por objectos estranhos, substâncias ou acidentes;
- ◆ Tenha um histórico de reparações efectuadas por terceiros que não sejam os agentes autorizados ou profissionais de manutenção da Black & Decker.

Para activar a garantia, será necessário enviar a prova de compra ao revendedor ou agente de reparação autorizado.

Para verificar a localização do agente de reparação mais próximo de si contacte o escritório local da Black & Decker no endereço indicado neste manual.

Se preferir, consulte a lista de agentes autorizados da Black & Decker e os dados completos de nossos serviços de atendimento pós-venda na Internet no endereço: **www.2helpU.com**

Visite o nosso website

www.blackanddecker.eu para registar o seu novo produto Black & Decker e para se manter actualizado sobre novos produtos e ofertas especiais. Estão disponíveis mais informações sobre a Black & Decker e sobre a nossa gama de produtos em **www.blackanddecker.eu**

Användningsområde

Black & Decker Dustbuster® är avsedd för lätt och torr dammsugning.

Säkerhetsanvisningar

- ◆ **Varning!** Vid användning av batteridrivna apparater är det viktigt att man bl.a. följer nedanstående grundläggande säkerhetsanvisningar för att minska risken för brand, batteriläckage, personskador och materialskador.
- ◆ Läs bruksanvisningen innan du använder apparaten.
- ◆ Apparaten är avsedd för den användning som beskrivs i denna bruksanvisning. Använd endast de tillbehör och tillsatser som rekommenderas i bruksanvisningen och katalogerna. Användning av annan tillsats eller annat tillbehör kan innebära risk för personskada.
- ◆ Spara bruksanvisningen för framtida bruk.

Användning av apparaten

- ◆ Sug inte upp vätskor eller lättantändligt material med apparaten.
- ◆ Använd inte apparaten i närheten av vatten. Doppa aldrig apparaten i vatten.
- ◆ Dra aldrig i laddarsladden för att ta ut den ur vägguttaget. Utsätt inte laddarsladden för värme, olja eller skarpa kanter.

Efter användning

- ◆ Koppla bort laddaren från elnätet innan du rengör den eller hållaren.
- ◆ När apparaten inte används skall den förvaras torrt. Se till att barn inte kan få tag på apparater.

Kontroll och reparation

- ◆ Kontrollera om apparaten är skadad eller defekt, innan den används. Kontrollera att inga delar är trasiga, att strömbrytaren inte är skadad eller att något annat som kan inverka på funktionen.
- ◆ Använd inte apparaten om någon del är skadad eller defekt.

- ◆ Om fel uppstår skall delarna repareras eller bytas ut av en auktoriserad Black & Decker serviceverkstad.
- ◆ Kontrollera regelbundet att laddarsladden inte är skadad. Byt ut laddaren om sladden är skadad eller inte fungerar som den ska.
- ◆ Försök aldrig att ta bort eller byta ut andra delar än dem som nämns i denna bruksanvisning.

Övriga risker

Ytterligare risker som inte finns med i de bifogade säkerhetsföreskrifterna kan uppstå när verktyget används. Dessa risker kan uppstå vid felaktig eller långvarig användning, etc.

Även om alla relevanta säkerhetsföreskrifter följs och säkerhetsanordningar används kan vissa ytterligare risker inte undvikas.

Dessa innefattar:

- ◆ Skador orsakade av att roterande/rörliga delar vidrörs.
- ◆ Skador som uppstår vid byte av delar, blad eller tillbehör.
- ◆ Skador som orsakas av långvarig användning av ett verktyg. Se till att ta regelbundna raster när du använder ett verktyg under en längre period.
- ◆ Skador på hörseln.
- ◆ Hälsofaror orsakade av inandning av damm när verktyget används (exempel: arbete med trä, särskilt ek, bok och MDF).

Andra personers säkerhet

- ◆ Apparaten är inte avsedd att användas av personer (inklusive barn) med försvagade fysiska, sensoriska eller mentala förmågor, eller som saknar erfarenhet och kunskaper, om de inte får övervakning eller undervisning i användning av apparaten av någon som ansvarar för deras säkerhet.
- ◆ Håll uppsyn så att inga barn leker med apparaten.

Tillkommande säkerhetsanvisningar för batterier och laddare

Batterier

- ◆ Försök aldrig öppna.
- ◆ Låt inte batteriet komma i kontakt med vatten.
- ◆ Exponera inte batteriet för värme.
- ◆ Förvara inte batteriet i utrymmen där temperaturen kan överstiga 40 °C.
- ◆ Ladda endast inom temperaturområdet 10 °C till 40 °C.
- ◆ Ladda endast med laddaren som medföljer.
- ◆ När batterierna kasseras skall instruktionerna i kapitlet "Miljöskydd" följas.
- ◆ Se till att inte skada eller deformera batteriet genom perforering eller stötar, eftersom det kan leda till risk för personskada och brand.
- ◆ Försök aldrig ladda skadade batterier.
- ◆ Under extrema förhållanden kan batteriet läcka. Om du upptäcker vätska från batteriet skall följande iakttas:
 - ◆ Torka försiktigt bort vätskan med en trasa. Undvik kontakt med huden.
 - ◆ Vid kontakt med huden eller ögonen skall instruktionerna nedan följas.

Varning! Batterivätskan kan orsaka personskador eller skador på egendom. Skölj omedelbart med vatten vid kontakt med huden. Den som drabbas av rodnad, smärta eller irritation bör uppsöka läkare. Om syran kommer i kontakt med ögonen, skölj rikligt med rent vatten och kontakta läkare.

Laddare

Din laddare är avsedd för en specifik nätspänning. Kontrollera alltid att nätspänningen överensstämmer med typskylten.

Varning! Försök aldrig att ersätta laddningsenheten med en vanlig nätkontakt.

- ◆ Använd Black & Decker-laddaren endast för att ladda batteriet i apparaten/verkyget det medföljde. Andra typer av batterier kan explodera och förorsaka person- och materialskador.

- ◆ Försök aldrig ladda icke-uppladdningsbara batterier.
- ◆ Om nätsladden är skadad måste den bytas ut av tillverkaren eller en godkänd Black & Decker-serviceverkstad för att undvika en risksituation.
- ◆ Låt inte laddaren komma i kontakt med vatten.
- ◆ Öppna inte laddaren.
- ◆ Gör ingen åverkan på laddaren.
- ◆ Apparaten/verkyget/batteriet måste vara placerat i ett väl ventilerat utrymme under laddning.

Elsäkerhet

Din laddare är avsedd för en specifik nätspänning. Kontrollera alltid att nätspänningen överensstämmer med typskylten. Försök aldrig att ersätta laddningsenheten med en vanlig nätkontakt.

Symboler på laddaren



Laddaren är dubbelisolerad; jordledare är således överflödiga.



Felsäker isolertransformator. Nätströmmen är elektriskt separerad från transformatorutgången.



Laddaren stängs automatiskt av om omgivningstemperaturen är för hög. Så snart omgivningstemperaturen har sjunkit fungerar laddaren igen.



Laddaren är endast avsedd för inomhusbruk.

Detaljbeskrivning

1. Strömbrytare
 1. Strömbrytare för två hastigheter (CV1205)
 2. Låsknapp
 3. Dammbehållare
 4. Laddningsstation
 5. Filterrengöringsratt (CV9605/ CV1205)
 6. Laddningsindikator - laddning pågår

Fig. A

- 7. Elementmunstycke
- 8. Borstmunstycke

Installation**Montera laddarhållaren på väggen (fig. B)**

Laddarhållaren kan placeras på en arbetsbänk eller monteras på en vägg som en praktisk laddnings- och förvaringsplats för apparaten.

Montering**Montering av tillbehör (fig. A & C)**

Dessa modeller är försedda med följande tillbehör:

- ◆ ett fogmunstycke (7) för svåråtkomliga ställen
- ◆ ett borstmunstycke (8) för möbler och trappsteg

Montera tillbehör så här:

- ◆ Ta loss tillbehören från apparaten.
- ◆ Sätt in önskat tillbehör fram till på apparaten.

Användning

- ◆ Före den första användningen måste batteriet laddas i minst 24 timmar.
- ◆ Placera alltid apparaten i laddarhållaren när den inte används.

Laddning av batteriet (fig. B)

- ◆ Kontrollera att apparaten är avstängd. Batteriet laddas inte om strömbrytaren står i det påslagna läget.
- ◆ Placera apparaten i vägghållaren enligt bild.
- ◆ Anslut laddaren till vägguttaget. Sätt på huvudströmmen.

Laddningsindikatorn (6) lyser.

- ◆ Låt apparaten laddas i minst 24 timmar.

Laddaren kan bli varm under laddningen.

Det är normalt och tyder inte på något problem. Apparaten kan vara ansluten till laddaren under obegränsad tid.

Laddningsindikatorn lyser så länge apparaten är kopplad till laddaren och laddaren till elnätet.

Varning! Ladda inte batteriet vid temperaturer under 10 °C eller över 40 °C.

Start och stopp (fig. D)

- ◆ Skjut strömbrytaren (1) framåt för att starta apparaten.
- ◆ Skjut den bakåt för att stänga av apparaten.

CV1205/CV9605 - Bibehålla sugkraften (fig. E)

För att bibehålla en optimal sugkraft måste filtret rensas regelbundet under bruk.

- ◆ Vrid ratten (5) några varv för att slå ut damm som täpper filtret (9).

Rengöring och underhåll

Varning! Rengör filtren regelbundet.

Rengöring av dammbehållaren och filtren (fig. F - J)

Filtren är återanvändbara och ska rengöras regelbundet.

- ◆ Tryck på spärrknappen (2) och avlägsna dammbehållaren (3) (fig. F).
- ◆ Töm dammbehållaren (fig. G)
- ◆ Ta ut filtren (9 & 10) genom att vrida dem medurs (fig. H).
- ◆ Borsta bort allt löst damm från filtren.
- ◆ Tvätta filtren i varmt tvålsvatten (fig. I). Om det skulle behövas, går också dammbehållaren att tvätta. Doppa inte ner apparaten i vatten (fig. J).
- ◆ Se till att dammbehållaren och filtren har torkat helt.
- ◆ Sätt tillbaka filtren (9 & 10) i apparaten och vrid dem moturs tills de knäpper fast.
- ◆ Sätt tillbaka dammbehållaren på apparaten. Se till att dammbehållaren knäpper fast.

Varning! Använd aldrig apparaten utan filter. Optimal sugkapacitet uppnås endast med rena filter och tom dammbehållare.

CV1205/CV7205/CV9605 -**Rengöring av utloppsfiltret (fig. K)**

- ◆ Öppna locket (11).
- ◆ Ta ut filtret (12) ur öppningen.
- ◆ Tvätta filtret i varmt vatten och tvål.
- ◆ Se till att det torkar väl.
- ◆ Sätt tillbaka filtret (12).
- ◆ Stäng locket.

Byte av filtren

Filtren ska bytas med intervall på 6 till 9 månader, eller vid behov om de är utslitna eller skadade. Du kan skaffa nya filter hos din Black & Decker-återförsäljare (katalognummer: VF45 till CV9605H; katalognummer: VF40 till alla övriga modeller).

- ◆ Avlägsna filtren enligt ovanstående beskrivning.
- ◆ Montera de nya filtren enligt ovanstående beskrivning.

Miljöskydd



Särskild insamling. Denna produkt får inte kastas bland vanliga hushållssopor.

Om du någon gång i framtiden behöver ersätta din Black & Decker-produkt med en ny, eller inte längre behöver den, ska du inte kasta den i hushållssoporna. Denna produkt skall lämnas till särskild insamling.



Efter insamling av använda produkter och förpackningsmaterial kan materialen återvinnas och användas på nytt. Användning av återvunna material skonar miljön och minskar förbrukningen av råvaror.

Enligt lokal lagstiftning kan det förekomma särskilda insamlingar av uttjänt elutrustning från hushåll, antingen vid kommunala miljöstationer eller hos detaljhandlaren när du köper en ny produkt.

Black & Decker erbjuder en samlings- och återvinnings-tjänst för Black & Decker-produkter när de en gång har tjänat ut. För att använda den här tjänsten lämnar du in produkten till en auktoriserad Black & Decker-reparatör/representant som tar hand om den för din räkning.

Närmaste auktoriserad Black & Decker-representant finner du genom det lokala Black & Decker-kontoret på adressen i den här manualen. Annars kan du söka på Internet, på listan över auktoriserade Black & Decker-representanter och alla uppgifter om vår kundservice och andra kontakter www.2helpU.com

Batteri (fig. L - N)



Black & Decker-batterierna kan laddas om många gånger. Skydda miljön genom att lämna uttjänta batterier till avsedd uppsamlingsplats.

Skydda miljön genom att lämna kasserade batterier på därför avsedd uppsamlingsplats.

- ◆ Ladda helst ur batteriet genom att använda apparaten tills motorn slutar gå.

Batteriet sitter under apparatens bakstycke.

- ◆ Ta loss tillbehören från apparaten.
- ◆ Avlägsna skruvarna (13).
- ◆ Lossa tapparna (14) som håller tillbehörshållaren på plats.
- ◆ Ta ut tillbehörshållaren (15).
- ◆ Avlägsna skruvarna (16) som håller batteriet på plats.
- ◆ Skjut batteriet (17) bakåt enligt bilden.
- ◆ Ta ut batteriet.
- ◆ Placera batteriet i en lämplig förpackning så att kontakterna inte kan kortslutas.
- ◆ Lämna in batteriet på inköpsstället eller på den lokala återvinningsstationen.

Varning! När batteriet har tagits ut kan det inte sättas tillbaka.

Tekniska data

	CV1205 H2	CV7205 H2 CV7205B H2
Spänning	V 12	7,2
Vikt	kg 1,4	1,1

	CV9605 H2	V4805 H2
	CV9605G H2	V4805Y H2
	CV9605H H2	V4806 H2
	CV9605P H2	V4807 H2
Spänning	V 9,6	4,8
Vikt	kg 1,3	0,9

V6005 H2		
Spänning	V 6,0	
Vikt	kg 1,0	

Laddare

	**090020D	**100015D
Modell	V48	V60
Spänning	V _{AC} 230	230
Utspänning	V _{AC} 9	10
Amperetal	mA 200	150
Laddningstid		
cirka	h 24	24
Vikt	kg 0,3	0,3

	**110020D	**140020D
Modell	CV72	CV96
Spänning	V _{AC} 230	230
Utspänning	V _{AC} 11	14
Amperetal	mA 200	200
Laddningstid		
cirka	h 24	24
Vikt	kg 0,3	0,3

CHA002014*		
Modell	CV12	
Spänning	V _{AC} 100-240	
Utspänning	V _{DC} 7,2-24	
Amperetal	mA 85	
Laddningstid		
cirka	h 24	
Vikt	kg 0,3	

Bullernivå, uppmätt enligt EN 60704-1:

Bullernivå (L_{nc}) < 70 dB(A), avvikelse (K) 3 dB(A)

Reservdelar/Reparationer

Reservdelar finns att köpa hos auktoriserade Black & Decker verkstäder, som även ger kostnadsförslag och reparerar våra produkter.

Förteckning över våra auktoriserade verkstäder finns på Internet, vår hemsida www.blackanddecker.se samt www.2helpU.com

Garanti

Black & Decker garanterar att produkten är fri från material- och/eller fabrikationsfel vid leverans till kund. Garantin är i tillägg till konsumentens lagliga rättigheter och påverkar inte dessa. Garantin gäller inom medlemsstaterna i Europeiska Unionen och i det Europeiska Frihandelsområdet.

Om en Black & Decker produkt går sönder på grund av material- och/eller fabrikationsfel eller brister i överensstämmelse med specifikationen, inom 24 månader från köpet, åtar sig Black & Decker att reparera eller byta ut produkten med minsta besvär för kunden.

Garantin gäller inte för fel som beror på:

- ◆ normalt slitage
- ◆ felaktig användning eller skötsel
- ◆ att produkten skadats av främmande föremål, ämnen eller genom olyckshändelse

Garantin gäller inte om reparation har utförts av någon annan än en auktoriserad Black & Decker verkstad.

För att utnyttja garantin skall produkten och inköpskvittot lämnas till återförsäljaren eller till en auktoriserad verkstad senast 2 månader efter det att felet har upptäckts. För information om närmaste auktoriserad verkstad; kontakta det lokala Black & Decker kontoret på den adress som är angiven i bruksanvisningen. En lista på alla auktoriserade verkstäder samt servicevillkor finns även tillgängligt på Internet, adress: www.2helpU.com

Besök vår webbplats

www.blackanddecker.se för att registrera din nya Black & Decker-produkt samt för att erhålla information om nya produkter och specialerbjudanden. Vidare information om märket Black & Decker och vårt produktsortiment kan återfinnas på www.blackanddecker.se

Bruksområder

Black & Decker Dustbuster® er konstruert for lett, tørr støvsuging.

Sikkerhetsinstruksjoner

- ◆ **Advarsel!** Når du bruker oppladbare redskaper, må du følge en del grunnleggende sikkerhetsregler, se nedenfor, for å redusere faren for brann, batterilekkasje, personskade og materiell skade.
- ◆ Les nøye gjennom hele denne håndboken før du begynner å bruke apparatet.
- ◆ Bruksanvisningen beskriver hvordan apparatet skal brukes. Bruk bare tilbehør og utstyr til dette apparatet som anbefales i bruksanvisningen. Bruk av annet tilbehør eller utstyr kan medføre risiko for personskade.
- ◆ Ta vare på denne bruksanvisningen for fremtidig bruk.

Bruk av apparatet

- ◆ Apparatet må ikke brukes til å suge opp væske eller materialer som kan ta fyr.
- ◆ Apparatet må ikke brukes i nærheten av vann. Apparatet må ikke dyppes i vann.
- ◆ Trekk aldri i laderledningen når du skal kople laderen fra stikkontakten. Utsett ikke laderledningen for varme, olje eller skarpe kanter.

Etter bruk

- ◆ Koble laderen fra strøminntaket før du rengjør laderen eller laderholderen.
- ◆ Når apparatet ikke er i bruk, må det oppbevares på et tørt sted. Apparatet skal oppbevares utilgjengelig for barn.

Kontroll og reparasjon

- ◆ Før bruk må du kontrollere apparatet for skadde eller defekte deler. Kontroller også at det ikke finnes deler med brist, at bryterne ikke er skadet og eventuelle andre forhold som kan påvirke driften av apparatet.
- ◆ Bruk aldri apparatet hvis noen av delene er skadde eller defekte.

- ◆ Ved skade eller feil må delene repareres eller byttes ut av et autorisert serviceverksted.
- ◆ Sjekk jevnlig om laderledningen kan være skadet. Bytt laderen hvis ledningen er skadet eller ikke fungerer som den skal.
- ◆ Prøv aldri å fjerne eller bytte andre deler enn de som er angitt i denne bruksanvisningen.

Andre risikoer

Ved bruk av verktøyet kan det oppstå ytterligere risikoer som kanskje ikke er inkludert i sikkerhetsadvarslene som følger med. Disse risikoene kan bli forårsaket av feil bruk, langvarig bruk, osv.

Selv om de relevante sikkerhetsbestemmelsene blir fulgt, og sikkerhetstiltakene blir gjennomført, kan visse gjenværende risikoer ikke unngås. Disse omfatter:

- ◆ Personskader som forårsakes av berøring av en roterende/bevegelig del.
- ◆ Personskader som forårsakes av at en del, et blad eller tilbehør endres.
- ◆ Personskader som forårsakes av langvarig bruk av et verktøy. Når du bruker et verktøy i lange perioder, må du sørge for å ta regelmessige pauser.
- ◆ Svekket hørsel.
- ◆ Helsefarer som forårsakes av innånding av støv som dannes når du bruker verktøyet (eksempel: arbeid med tre, spesielt eik, bøk og MDF).

Andre personers sikkerhet

- ◆ Apparatet er ikke beregnet til å brukes av personer (inkludert barn) med redusert fysisk, sansemessig eller mental kapasitet eller mangel på erfaring og kunnskap, med mindre de er under oppsyn eller har fått opplæring i bruk av apparatet av en person som har ansvaret for deres sikkerhet.
- ◆ Barn må ha tilsyn for å sikre at de ikke leker med apparatet.

Ekstra sikkerhetsforskrifter for batterier og ladere

Batterier

- ◆ Gjør aldri under noen omstendigheter forsøk på å åpne apparatet.
- ◆ Batteriet må ikke komme i kontakt med vann.
- ◆ Batteriet må ikke utsettes for varme.
- ◆ Må ikke oppbevares på steder hvor temperaturen kan overstige 40 °C.
- ◆ Må bare lades i lufttemperaturer mellom 10 °C og 40 °C.
- ◆ Må bare lades med laderen som følger med apparatet/verktøyet.
- ◆ Når batteriene skal kastes, følg instruksene i avsnittet "Miljøvern".
- ◆ Du må ikke skade eller deformere batteriet med punktering eller støt, dette kan skape fare for skader og brann.
- ◆ Ikke lad opp skadede batterier.
- ◆ Under ekstreme forhold kan det oppstå batterilekkasje. Når du oppdager væske på batteriene, gjør følgende:
 - ◆ Tørk forsiktig bort væsken med en klut. Unngå hudkontakt.
 - ◆ I tilfeller hvor det oppstår kontakt med hud eller øyne, skal instruksjonene nedenfor følges.

Advarsel! Batterivæsken kan forårsake personskader eller materielle skader. Hvis den kommer i berøring med hud, må du straks skylle med vann. Hvis det oppstår rødhet, smerte eller irritasjon, søk legehjelp. Ved øyekontakt, rens umiddelbart med rent vann og søk legehjelp.

Ladere

Laderen er utformet for en bestemt nettspenning. Kontroller at nettspenningen er i overensstemmelse med spenningen på typeskiltet.

Advarsel! Du må aldri forsøke å bytte laderen ut med et vanlig støpsel.

- ◆ Bruk din Black & Decker lader kun sammen med det batteriet som blir levert med apparatet/verktøyet. Andre typer batterier kan eksplodere og forårsake person- og materialskader.
- ◆ Forsøk aldri å lade ikke-oppladbare batterier.

- ◆ Hvis strømledningen skades, må den skiftes ut av produsenten eller et autorisert Black & Decker servicesenter for å unngå fare.
- ◆ Laderen må ikke komme i kontakt med vann.
- ◆ Laderen må ikke åpnes.
- ◆ Ikke undersøk laderen på egenhånd.
- ◆ Apparatet/verktøyet/batteriet må plasseres i et godt ventilert område ved lading.

Elektrisk sikkerhet

Laderen er utformet for en bestemt nettspenning. Kontroller at nettspenningen er i overensstemmelse med spenningen på typeskiltet. Du må aldri forsøke å bytte laderen ut med et vanlig støpsel.

Symboler på laderen



Laderen er dobbeltisolert. Derfor er ikke jording nødvendig.



Feilsikker skilletransformator. Nettstrømforsyningen er elektrisk atskilt fra transformatorens utgang.



Laderen slås automatisk av hvis omgivelsestemperaturen blir for høy. Så snart omgivelsestemperaturen har gått ned, starter laderen igjen.



Laderen er kun beregnet på innendørs bruk.

Egenskaper

1. Strømbryter
1. Hastighets- og på/av-bryter (CV1205)
2. Utløserknapp
3. Støvpopsamler
4. Laderholder
5. Renshjul for filter (CV9605/CV1205)
6. Ladeindikator - lading pågår

Fig. A

7. Radiatormunnstykke
8. Børstemunnstykke

Installasjon

Feste laderholderen på veggen (fig. B)

Du kan sette laderen på et bord eller feste den på veggen, slik at du får et praktisk punkt for oppbevaring og ladning av apparatet.

Montering

Montering av tilbehøret (fig. A & C)

Disse modellene er utstyrt med følgende tilbehør:

- ◆ et smalt munnstykke (7) for trange steder
 - ◆ en børste (8) for møbler og trapper
- Slik monterer du et tilbehør:
- ◆ Ta tilbehøret ut av apparatet.
 - ◆ Sett inn ønsket tilbehør foran på redskapet.

Bruk

- ◆ Før du bruker apparatet for første gang, må du lade batteriet i minst 24 timer.
- ◆ Plasser alltid apparatet i laderholderen når det ikke er i bruk.

Lading av batteriet (fig. B)

- ◆ Kontroller at apparatet er slått av. Batteriet blir ikke ladet når strømbryteren er i på-stilling.
- ◆ Plasser apparatet på laderholderen, som vist.
- ◆ Sett laderen i vegguttaket. Slå på strømmen.

Ladelampen (6) lyser.

- ◆ La apparatet lades opp i minst 24 timer. Mens ladningen pågår kan laderen bli varm. Dette er normalt og betyr ikke at noe er feil. Apparatet kan stå koplet til laderen så lenge du ønsker. Ladelampen lyser så lenge utstyret er koplet til laderen (som igjen må være koplet til strøm).

Advarsel! Ikke lad opp batteriet ved omgivelsestemperaturer under 10 °C eller over 40 °C.

Start og stopp (fig. D)

- ◆ Du slår apparatet på ved å skyve strømbryteren (1) fremover.
- ◆ For å slå av verktøyet skyver du strømbryteren bakover.

CV1205/CV9605 - Justering av sugekraften (fig. E)

Filteret må renses regelmessig for at en skal kunne opprettholde optimal sugekraft.

- ◆ Drei hjulet (5) et par omganger for å riste ut støv som tilstopper filteret (9).

Rengjøring og vedlikehold

Advarsel! Rengjør filterne jevnlig.

Rengjøring av støvoppsamleren og filterne (fig. F - J)

Filterne kan brukes mange ganger, og må rengjøres jevnlig.

- ◆ Trykk ned utløserknappen (2), og ta av støvoppsamleren (3) (fig. F).
- ◆ Tøm støvoppsamleren (fig. G).
- ◆ Ta av filterne (9 & 10) ved å dreie dem med klokken (fig. H).
- ◆ Børst av eventuelt løst støv på filterne.
- ◆ Vask filterne i varmt såpevann (fig. I). Støvoppsamleren kan også vaskes, om nødvendig. Apparatet må ikke dyppes i vann (fig. J).
- ◆ Sørg for at støvoppsamleren og filterne er tørre.
- ◆ Sett på filterne igjen (9 & 10) ved å dreie dem mot klokken til de låses på plass.
- ◆ Sett støvoppsamleren på apparatet igjen. Pass på at støvoppsamleren klikker på plass.

Advarsel! Du må aldri bruke apparatet uten filterne. Optimal støvsuging oppnås bare med rene filtre og tom støvoppsamler.

CV1205/CV7205/CV9605 -

Rengjøring av utløpsfilteret (fig. K)

- ◆ Åpne dekslet (11).
- ◆ Ta filteret (12) ut av sporet.
- ◆ Vask filteret i varmt såpevann.
- ◆ Pass på at filteret er tørt.
- ◆ Sett på filteret (12) igjen.
- ◆ Lukk dekslet.

Bytte filtre

Filtrene må byttes etter 6 til 9 måneder, og alltid når de er slitt eller skadet. Nye filtre kan skaffes hos din Black & Decker-forhandler (katalognummer: VF45 for CV9605H; katalognummer: VF40 for alle andre modeller).

- ◆ Fjern de gamle filtrene som beskrevet ovenfor.
- ◆ Monter de nye filtrene som beskrevet ovenfor.

Miljøvern



Kildesortering. Dette produktet må ikke kastes i det vanlige husholdningsavfallet.

Hvis du finner ut at Black & Decker-produktet ditt må skiftes ut, eller hvis du ikke lenger har bruk for det, må du unnlate å kaste det sammen med det vanlige husholdningsavfallet. Sørg for at dette produktet gjøres tilgjengelig for kildesortering.



Kildesortering av brukte produkter og emballasje gjør det mulig å resirkulere materialer og bruke dem igjen. Gjenbruk av resirkulerte materialer bidrar til å forhindre forsøpling av miljøet og reduserer behovet for råmaterialer.

Lokale regelverk kan legge tilrette for kildesortering av elektriske produkter fra husholdningen, ved kommunale deponier eller gjennom forhandleren når du kjøper et nytt produkt.

Black & Decker har tilrettelagt for innsamling og resirkulering av Black & Decker-produkter etter at de har utspilt sin rolle. Ønsker du å benytte deg av denne tjenesten, returnerer du produktet ditt til et autorisert serviceverksted, som tar det imot og formidler det videre.

Du kan få adressen til ditt nærmeste autoriserte serviceverksted ved å kontakte ditt lokale Black & Decker-

kontor på adressen oppgitt i denne håndboken. Du kan også finne en komplett liste over autoriserte Black & Decker-serviceverksteder og utfyllende informasjon om vår etter salg-service og kontaktnumre på Internett på følgende adresse: www.2helpU.com

Batteri (fig. L - N)



Black & Decker-batterier kan lades mange ganger. Beskytt miljøet ved å levere kasserte batterier til kildesortering.

Beskytt miljøet ved å avhende brukte batterier i samsvar med lokale bestemmelser.

- ◆ Du bør lade ut batteriet ved å kjøre apparatet helt til motoren stopper. Batteriet sitter under bakre ende av apparatet.
- ◆ Ta tilbehøret ut av apparatet.
- ◆ Fjern skruene (13).
- ◆ Trykk ned tappene (14) som holder tilbehørsholderen på plass.
- ◆ Fjern tilbehørsholderen (15).
- ◆ Fjern skruene (16) som holder batteriet på plass.
- ◆ Skyv batteriet (17) bakover, som vist.
- ◆ Ta ut batteriet.
- ◆ Legg batteriet i en egnet innpakning for å sikre at kontaktene ikke kan kortsluttes.
- ◆ Ta med batteriet til forhandleren eller den lokale resirkuleringsstasjonen.

Advarsel! Når batteriet først er fjernet, kan det ikke settes på igjen.

Tekniske data

	CV1205 H2	CV7205 H2 CV7205B H2
Spenning	V 12	7,2
Vekt	kg 1,4	1,1

	CV9605 H2	V4805 H2 CV9605G H2	V4805Y H2 CV9605H H2	V4806 H2 CV9605P H2	V4807 H2
Spenning	V 9,6	4,8			
Vekt	kg 1,3	0,9			

Tekniske data

V6005 H2	
Spenning	V 6,0
Vekt	kg 1,0

Lader

	**090020D	**100015D
Modell	V48	V60
Spenning	V_{AC} 230	230
Utgangsspenning	V_{AC} 9	10
Amperetall	mA 200	150
Ladetid, ca	h 24	24
Vekt	kg 0,3	0,3

	**110020D	**140020D
Modell	CV72	CV96
Spenning	V_{AC} 230	230
Utgangsspenning	V_{AC} 11	14
Amperetall	mA 200	200
Ladetid, ca	h 24	24
Vekt	kg 0,3	0,3

CHA002014*	
Modell	CV12
Spenning	V_{AC} 100-240
Utgangsspenning	V_{DC} 7,2-24
Amperetall	mA 85
Ladetid, ca	h 24
Vekt	kg 0,3

Lydnivået, målt i henhold til EN 60704-1:

Lydtrykk (L_{pA}) < 70 dB(A), usikkerhet (K) 3 dB(A)

Reservdeler/Reparasjoner

Reservdeler kan kjøpes hos autoriserte Black & Decker serviceverksteder, som også gir kostnadsoverslag og reparerer våre produkter.

Oversikt over våre autoriserte serviceverksteder finnes på Internet, vår hjemmeside www.blackanddecker.no samt www.2helpU.com

Garanti

Black & Decker garanterer at produktet ikke har material- og/eller fabrikkasjonsfeil ved levering til kunde. Garantien er i tillegg til kundens lovlige rettigheter og påvirker ikke disse. Garantien gjelder

innen medlemsstatene i den Europeiske Unionen og i det Europeiske Frihandelsområdet.

Hvis et Black & Decker produkt går i stykker på grunn av material- og/eller fabrikkasjonsfeil eller har mangler i forhold til spesifikasjonene, innen 24 måneder fra kjøpet, påtar Black & Decker seg å reparere eller bytte ut produktet med minst mulig vanskelighet for kunden.

Garantien gjelder ikke for feil som kommer av:

- ◆ normal slittasje
- ◆ feilaktig bruk eller vedlikehold (mislighold)
- ◆ at produktet har blitt skadet av fremmede gjenstander, emner eller ved et uhell

Det gjøres oppmerksom på at produktet ikke er beregnet på industriell/ profesjonell/yrkesmessig bruk, men til hus- og hjemmebruk.

Garantien gjelder ikke om reparasjoner har blitt utført av noen andre enn et autorisert Black & Decker serviceverksted.

For å ta garantien i bruk skal produktet og kjøpekvitte leveres til forhandleren eller til et autorisert serviceverksted senest 2 måneder etter at feilen har blitt oppdaget. For informasjon om nærmeste autoriserte serviceverksted; kontakt det lokale Black & Decker kontoret på den adressen som er angitt i bruksanvisningen. En oversikt over alle autoriserte serviceverksteder samt servicevilkår finnes også tilgjengelig på Internet, adresse: www.2helpU.com

Vennligst stikk innom våre nettsider på www.blackanddecker.no for å registrere ditt nye Black & Decker-produkt og for å holde deg oppdatert om nye produkter og spesialtilbud. Du finner mer informasjon om Black & Decker og produktutvalget vårt på www.blackanddecker.no

Anvendelsesområde

Din Black & Decker Dustbuster® håndholdt støvsuger er designet til lette tørstøvsugningsformål.

Sikkerhedsinstruktioner

- ◆ **Advarsel!** Ved brug af batteridrevne apparater skal de grundlæggende sikkerhedsforanstaltninger, herunder nedenstående, altid følges, således at risikoen for brand, lækkende batterier og person- og materialeskader begrænses.
- ◆ Læs denne brugsanvisning omhyggeligt igennem, inden apparatet tages i brug.
- ◆ Brugen, den er bestemt for, er beskrevet i denne brugsanvisning. Brugen tilhører eller tilkoblingsudstyr eller udførelsen af andre operationer med dette apparat, end dem, som er anbefalet i denne brugsvejledning, kan medføre risiko for personskader.
- ◆ Opbevar denne brugsanvisning til fremtidig brug.

Brug af apparatet

- ◆ Brug ikke apparatet til at optage væsker eller letantændelige materialer med.
- ◆ Brug ikke apparatet i nærheden af vand. Dyp ikke apparatet ned i vand.
- ◆ Træk aldrig i opladerens ledning for at tage stikket ud af kontakten. Ledningen skal holdes væk fra varme, olie og skarpe kanter.

Efter brug

- ◆ Afbryd opladeren, før den eller dens væggholder rengøres.
- ◆ Når apparatet ikke er i brug, skal det opbevares et tørt sted. Børn må ikke have adgang til opbevarede apparater.

Eftersyn og reparationer

- ◆ Inden apparatet anvendes, skal det kontrolleres for beskadigede eller defekte dele. Kontroller for brud på delene, for skader på knapper og andet, der kan have indflydelse på apparatets funktion.

- ◆ Apparatet må ikke anvendes, hvis nogen dele er beskadigede eller defekte.
- ◆ Skadede eller defekte dele skal repareres eller udskiftes af en autoriseret tekniker.
- ◆ Kontrollér jævnligt opladerens ledning for skader. Udskift opladeren, hvis ledningen er beskadiget eller defekt.
- ◆ Der må ikke gøres forsøg på at fjerne eller udskifte dele, som ikke er nævnt i denne håndbog.

Restrisici

Der kan opstå yderligere restrisici under brugen af værktøjet, som ikke kan medtages i vedlagte sikkerhedsadvarsler. Disse risici kan opstå pga. forkert anvendelse, langvarig brug etc.

Selv ved overholdelse af relevante sikkerhedsforskrifter og anvendelse af sikkerhedsudstyr kan visse restrisici ikke undgås. Disse omfatter:

- ◆ Tilskadecomst forårsaget af berøring af roterende/bevægelige dele.
- ◆ Tilskadecomst forårsaget af udskiftning af dele, blade eller tilbehør.
- ◆ Tilskadecomst forårsaget af langvarig brug af et værktøj. Husk at holde pause jævnligt ved brug af et værktøj i længere tid.
- ◆ Høreskader.
- ◆ Sundhedsrisici forårsaget af indånding af støv, der genereres ved brug af værktøjet (eksempel: arbejde med træ, især, eg, bøg og MDF).

Andres sikkerhed

- ◆ Dette apparat er ikke egnet for at brug af personer (inklusiv børn) med manglende fysiske, sensorielle eller mentale evner eller erfaring, med mindre de har modtaget undervisning eller instruktioner i brug af apparatet fra en person, som er ansvarlig for sikkerheden.
- ◆ Der skal være opsyn med børn for at sikre, at de ikke leger med apparatet.

Ekstra sikkerhedsinstruktioner for batterier og ladere

Batterier

- ◆ Man må aldrig forsøge at åbne et batteri.
- ◆ Udsæt det ikke for vand.
- ◆ Udsæt ikke batteriet for varme.
- ◆ Det må ikke opbevares i lokaler, hvor temperaturen overstiger 40 °C.
- ◆ Det må kun oplades ved omgivelsestemperaturer mellem 10 °C og 40 °C.
- ◆ Oplad kun med den vedlagte oplader.
- ◆ Ved kassering af batterier, skal man følge vejledningen i afsnittet "Beskyttelse af miljøet".
- ◆ Undgå at deformere eller beskadige batteriet ved punktering eller stød, da dette kan give risiko for kvæstelser eller brand.
- ◆ Oplad ikke et beskadiget batteri.
- ◆ Under ekstreme forhold kan der forekomme batteriutætheder. Hvis man opdager væske på batterierne, skal man gå frem på følgende måde:
 - ◆ Tør forsigtigt væsken af med en klud. Undgå kontakt med huden.
 - ◆ I tilfælde af at væsken kommer i kontakt med huden, skal man følge nedenstående vejledning.

Advarsel! Batterivæsken kan forårsage personskade eller materielle skader. Ved hudkontakt skal stedet omgående skylles med vand. Forekommer der udslet, smerte eller irritation, så søg læge. Ved øjenkontakt skylles straks med rent vand. Søg derefter læge.

Opladere

Din oplader er beregnet til en specifik netspænding. Før brug skal det kontrolleres, at netspændingen svarer til den, der er angivet på typeskiltet.

Advarsel! Forsøg aldrig at udskifte opladerenheden med et almindeligt netstik.

- ◆ Din Black & Decker lader må kun benyttes til Black & Decker batterier af samme slags som dem, der fulgte med værktøjet/maskinen. Andre batterier kan eksplodere og derved forårsage personskader og skader på ting.

- ◆ Man må aldrig forsøge at genoplade ikke-opladelige batterier.
- ◆ Hvis el-ledningen er skadet, skal den udskiftes af producenten eller et autoriseret Black & Decker servicecenter for at undgå ulykker.
- ◆ Udsæt ikke opladeren for vand.
- ◆ Opladeren må ikke åbnes.
- ◆ Opladeren må ikke manipuleres.
- ◆ Apparatet/værktøjet/batteriet skal placeres i et velventileret område ved opladning.

El-sikkerhed

Din oplader er beregnet til en specifik netspænding. Før brug skal det kontrolleres, at netspændingen svarer til den, der er angivet på typeskiltet. Forsøg aldrig at udskifte opladerenheden med et almindeligt netstik.

Symboler på opladeren.



Din oplader er dobbelt isoleret. Derfor er jordledning ikke nødvendig.



Fejlsikker isolerende transformer. Strømforsyningen er elektrisk adskilt fra transformerens udgang.



Opladeren afbrydes automatisk, hvis den omgivende temperatur bliver for høj. Så snart den omgivende temperatur er faldet, vil opladeren genoptage funktionen.



Opladeren er kun beregnet til indendørs brug.

Funktioner

1. Afbryder
 1. Afbryder med to hastigheder (CV1205)
 2. Udløserknop
 3. Støvbholder
 4. Opladersokkel
 5. Filterrensningshjul (CV9605/ CV1205)
 6. Opladningsindikator - "ladning i gang"

Fig. A

- 7. Sprækkemundstykke
- 8. Børstemundstykke

Installation**Montering af opladervægholderen på væggen (fig. B)**

Opladervægholderen kan monteres på et arbejdsbord eller på væggen og er derved et praktisk opbevarings- og opladningssted for apparatet.

Montering**Montering af tilbehøret (fig. A & C)**

Disse modeller er udstyret med følgende tilbehør:

- ◆ et spalteværktøj (7) til fine mellemrum
- ◆ Et børsteværktøj (8) til møbler og trapper

Gør følgende for at montere en tilbehørsdel:

- ◆ Tag det aktuelle tilbehør af apparatet.
- ◆ Påsæt det ønskede tilbehør foran på apparatet.

Brug

- ◆ Før første ibrugtagning skal batteriet oplades i mindst 24 timer.
- ◆ Sæt apparatet i opladervægholderen, når det ikke er i brug.

Opladning af batteriet (fig. B)

- ◆ Sørg for, at apparatet er slukket. Batteriet vil ikke blive opladet, hvis støvsugeren er tændt.
- ◆ Sæt apparatet i opladervægholderen som vist.
- ◆ Forbind opladeren til stikkontakten. Tænd for kontakten.

Opladningsindikatoren (6) lyser.

- ◆ Oplad apparatet i mindst 24 timer.

Under opladningen kan opladeren blive varm. Det er normalt og er ikke noget problem. Apparatet kan være tilsluttet opladeren på ubestemt tid.

Opladningsindikatoren lyser, så længe apparatet er tilsluttet den tændte oplader.

Advarsel! Sæt ikke batteriet til opladning ved omgivende temperaturer under 10 °C eller over 40 °C.

Start og stop (fig. D)

- ◆ Tænd apparatet ved at skyde afbryderen (1) fremad.
- ◆ Sluk apparatet ved at skyde afbryderen tilbage.

CV1205/CV9605 - Optimering af sugeevnen (fig. E)

For at holde sugeevnen optimal skal man rense filteret med jævne mellemrum.

- ◆ Drej hjulet (5) et par omgange for at ryste tilstoppet støv ud af filteret (9).

Rengøring og vedligeholdelse

Advarsel! Rens regelmæssigt filtrene.

Rengøring af støvbeholderen og filtrene (fig. F - J)

Filtrene kan bruges igen og bør renses jævnligt.

- ◆ Tryk på udløserknappen (2), og fjern støvbeholderen (3) (fig. F).
- ◆ Tøm støvposen (fig. G).
- ◆ Fjern filtrene (9 & 10) ved at dreje dem med uret (fig. H).
- ◆ Børst løst støv af filtrene.
- ◆ Vask filtrene i varmt sæbevand (fig. I). Beholderen kan også vaskes, hvis det er nødvendigt. Neddyp ikke apparatet i vand (fig. J).
- ◆ Sørg for, at støvbeholderen og filtrene tørrer helt.
- ◆ Sæt filtrene (9 & 10) på plads igen ved at dreje dem mod uret, til de er låst på plads.
- ◆ Sæt støvbeholderen ind i apparatet igen. Sørg for, at støvbeholderen klikker på plads.

Advarsel! Benyt aldrig apparatet uden filtrene. Der kan kun opnås optimal støvopsamling med rene filtre og en tom støvbeholder.

CV1205/CV7205/CV9605 - Rengøring af udstødningsfilteret (fig. K)

- ◆ Åbn dækslet (11).
- ◆ Fjern filteret (12) fra indskæringen.
- ◆ Vask filteret i varmt sæbevand.
- ◆ Sørg for, at filteret er tørt.
- ◆ Sæt filteret i igen (12).
- ◆ Luk dækslet.

Udskiftning af filtrene

Filtrene skal udskiftes hver sjette til niende måned, samt hvis de er slidte eller beskadigede. Udskiftningsfiltre fås hos din Black & Decker-forhandler (katalognummer: VF45 til CV9605H; katalognummer:VF40 til alle andre modeller).

- ◆ Fjern de gamle filtre som beskrevet ovenfor.
- ◆ Sæt de nye filtre i som beskrevet ovenfor.

Beskyttelse af miljøet



Separat indsamling. Dette produkt må ikke bortskaffes sammen med almindeligt husholdningsaffald.

Hvis du en dag skal udskifte dit Black & Decker produkt, eller hvis du ikke skal bruge det længere, må du ikke bortskaffe det sammen med husholdningsaffald. Dette produkt skal være tilgængeligt for separat indsamling.



Separat indsamling af brugte produkter og emballage gør det muligt at genbruge materialer. Genbrugte materialer forebygger miljøforurening og nedbringer behovet for råstoffer.

Lokale regler kan give mulighed for separat indsamling af elektriske husholdningsprodukter på kommunale lossepladser eller hos den forhandler, som du købte produktet af.

Black & Decker har en facilitet til indsamling og genbrug af Black & Decker-produkter, når deres levetid er slut. Få fordelene ved denne service ved at returnere produktet til en autoriseret tekniker, der samler værktøj sammen på vores vegne.

Du kan få oplyst den nærmeste autoriserede tekniker ved at kontakte det lokale Black & Decker-kontor på den adresse, der er angivet i denne

brugsanvisning. Alternativt findes der en liste over autoriserede Black & Decker-teknikere og oplysninger om vores eftersalgsservice og kontaktpersoner på Internettet på adressen: www.2helpU.com

Batteri (fig. L - N)



Black & Decker batterier kan oplades mange gange. Efter endt funktionstid skal batterierne kasseres med omtanke for miljøet.

Hvis du selv ønsker at bortskaffe produktet, skal batteriet afmonteres som beskrevet herunder og bortskaffes i overensstemmelse med gældende miljøbestemmelser.

- ◆ Det anbefales at aflade batteriet ved at lade det køre, til motoren standser. Batteriet er placeret under bagenden af apparatet.
- ◆ Tag det aktuelle tilbehør af apparatet.
- ◆ Fjern skruerne (13).
- ◆ Lås knapperne (14) op, idet du holder på tilbehørsholderen.
- ◆ Fjern tilbehørsholderen (15).
- ◆ Fjern skruerne (16), mens du holder batteriet på plads.
- ◆ Skub batteriet (17) tilbage som vist.
- ◆ Fjern batteriet.
- ◆ Læg batteriet i en dertil egnet emballage for at undgå, at polerne kortsluttes.
- ◆ Bring batteriet til din forhandler eller en lokal genbrugscentral.

Advarsel! Når batteriet er taget ud, kan det ikke monteres igen.

Tekniske data

	CV1205 H2	CV7205 H2 CV7205B H2
Spænding	V 12	7,2
Vægt	kg 1,4	1,1

	CV9605 H2	V4805 H2
	CV9605G H2	V4805Y H2
	CV9605H H2	V4806 H2
	CV9605P H2	V4807 H2
Spænding	V 9,6	4,8
Vægt	kg 1,3	0,9

Tekniske data

V6005 H2	
Spænding	V 6,0
Vægt	kg 1,0

Lader

	**090020D	**100015D
Model	V48	V60
Spænding	V_{AC} 230	230
Udgangsspænding	V_{AC} 9	10
Amperetal	mA 200	150
Opladningstid (ca.)	h 24	24
Vægt	kg 0,3	0,3

	**110020D	**140020D
Model	CV72	CV96
Spænding	V_{AC} 230	230
Udgangsspænding	V_{AC} 11	14
Amperetal	mA 200	200
Opladningstid (ca.)	h 24	24
Vægt	kg 0,3	0,3

CHA002014*	
Model	CV12
Spænding	V_{AC} 100-240
Udgangsspænding	V_{DC} 7,2-24
Amperetal	mA 85
Opladningstid (ca.)	h 24
Vægt	kg 0,3

Lydniveau i henhold til EN 60704-1:

Lydtryk (L_{pA}) < 70 dB(A), usikkerhed (K) 3 dB(A)

Reserve dele/Reparationer

Reserve dele kan købes hos autoriserede Black & Decker serviceværksteder, som giver forslag til omkostninger og reparerer vore produkter. Oversigt over vore autoriserede værksteder findes på internettet på vor hjemmeside www.blackanddecker.dk samt www.2helpU.com

Garanti

Black & Decker garanterer, at produktet er fri for materielle skader og/eller

fabrikationsfejl ved levering til kunden. Garantien er et tillæg til konsumentens lovlige rettigheder og påvirker ikke disse. Garantien gælder indenfor medlemsstaterne af den Europæiske Union og i det Europæiske Frihandelsområde.

Hvis et Black & Decker produkt går i stykker på grund af materiel skade og/eller fabrikationsfejl eller på anden måde ikke fungerer i overensstemmelse med specifikationen, inden for 24 måneder fra købsdatoen, påtager Black & Decker sig at reparere eller ombytte produktet med mindst muligt besvær for kunden.

Garantien gælder ikke for fejl og mangler, der er sket i forbindelse med:

- ◆ normal slitage
- ◆ uheldige følger efter unormal anvendelse af værktøjet
- ◆ overbelastning, hævværk eller overdrevent intensivt brug af værktøjet
- ◆ ulykkeshændelse

Garantien gælder ikke hvis reparationer er udført af nogen anden end et autoriseret Black & Decker værksted.

For at udnytte garantien skal produktet og købskvitteringen indleveres til forhandleren eller til et autoriseret værksted, senest 2 måneder efter at fejlen opdages. For information om nærmeste autoriserede værksted: kontakt det lokale Black & Decker kontor på den adresse som er opgivet i brugsanvisningen. Liste over alle autoriserede Black & Decker serviceværksteder samt servicevilkår er tilgængelig på internettet, på adressen www.2helpU.com

Gå venligst ind på vores website www.blackanddecker.dk for at registrere dit nye produkt og for at blive holdt ajour om nye produkter og specialtilbud. Der findes yderligere oplysninger om mærket Black & Decker og vores produktsortiment på adressen www.blackanddecker.dk

Käyttötarkoitus

Black & Deckerin Dustbuster® on kädessä pidettävä imuri, joka on suunniteltu kevyeen imurointiin.

Turvaohjeet

- ◆ **Varoitus!** Akkukäyttöisiä laitteita käytettäessä on aina noudatettava mm. seuraavia turvallisuusohjeita, jotta tulipalojen, akkuvuotojen, henkilövahinkojen ja materiaalivaurioiden riski olisi mahdollisimman pieni.
- ◆ Lue käyttöohje huolellisesti ennen laitteen käyttöönottoa.
- ◆ Koneen käyttötarkoitus kuvataan tässä käyttöohjeessa. Käytä laitetta ainoastaan sen käyttötarkoitukseen, ja käytä vain tässä käyttöohjeessa suositeltuja lisävarusteita ja lisälaitteita. Ohjeesta poikkeava käyttö voi aiheuttaa henkilövahinkovaaran.
- ◆ Säilytä käyttöohje tulevaa tarvetta varten.

Laitteen käyttö

- ◆ Älä käytä laitetta nesteiden imuroimiseen. Älä imuroi materiaaleja, jotka saattavat syttyä palamaan.
- ◆ Älä käytä laitetta veden lähellä. Älä upota laitetta veteen.
- ◆ Älä koskaan irrota laturia virtalähteestä vetämällä laturin johdosta. Suojaa laturi kuumuudelta, öljyltä ja teräviltä reunoilta.

Käytön jälkeen

- ◆ Irrota laturi virtalähteestä ennen laturin tai seinätelineen puhdistamista.
- ◆ Säilytä laitetta kuivassa paikassa, kun se ei ole käytössä. Varmista, että lapset eivät pääse käsiksi laitteisiin.

Tarkastus ja korjaukset

- ◆ Tarkista ennen käyttöä, ettei laitteessa ole vaurioita tai viallisia osia. Tarkista, ettei laitteessa ole rikkiinäisiä osia, vaurioituneita kytkimiä tai muita seikkoja, jotka saattavat vaikuttaa sen toimintaan.
- ◆ Älä käytä laitetta, jos jokin sen osista on viallinen.

- ◆ Viallinen osa tulee korjata tai vaihtaa valtuutetussa huoltoliikkeessä.
- ◆ Tarkista laturin johto säännöllisesti vaurioiden varalta. Vaihda laturi, jos sen johto on vaurioitunut tai viallinen.
- ◆ Älä koskaan yritä irrottaa tai vaihtaa sellaisia osia, joista ei ole mainintaa tässä oppaassa.

Jäännösriskit

Jäännösriskit ovat mahdollisia, jos käytät työkalua muulla kuin turvavaroituksissa mainitulla tavalla. Nämä riskit voivat liittyä muun muassa virheelliseen tai pitkäaikaiseen käyttöön.

Tiettyjä jäännösriskejä ei voi välttää, vaikka noudatat kaikkia turvamääräyksiä ja käytät turvalaitteita. Näihin kuuluvat muun muassa:

- ◆ Pyörienvien tai liikkuvien osien koskettamisen aiheuttamat vahingot.
- ◆ Osia, teriä tai lisävarusteita vaihdettaessa aiheutuneet vahingot.
- ◆ Työkalun pitkäaikaisen käytön aiheuttamat vahingot. Kun käytät työkalua pitkään, varmista, että pidät säännöllisesti taukoja.
- ◆ Kuulon heikentyminen.
- ◆ Työkalua käytettäessä (esimerkiksi puuta, erityisesti tammea, pyökkiä ja MDF-levyjä, käsiteltäessä) syntyneen pölyn sisäänhengityksen aiheuttamat terveysriskit.

Muiden turvallisuus

- ◆ Henkilöt (lapset mukaan lukien), joilla on fyysisiä, tunnollisia tai henkisiä rajoituksia tai rajallinen kokemus ja tuntemus, eivät saa käyttää tätä laitetta ellei heidän turvallisuudesta vastaava henkilö valvo tai ohjaa heitä laitteen käytössä.
- ◆ Lapsia on valvottava, etteivät he leiki koneen kanssa.

Lisäturvaohjeet akuille ja latureille

Akut

- ◆ Älä koskaan yritä avata akkua.
- ◆ Älä altista akkua vedelle.
- ◆ Älä altista akkua kuumuudelle.

- ◆ Älä säilytä akkua paikassa, jonka lämpötila saattaa ylittää 40 °C.
- ◆ Lataa akku ainoastaan lämpötilan ollessa välillä 10 °C ja 40 °C.
- ◆ Lataa akku käyttäen ainoastaan laitteen/työkalun mukana toimitettua laturia.
- ◆ Kun poistat akun käytöstä, noudata kappaleessa "Ympäristö" annettuja ohjeita.
- ◆ Älä vaurioita tai muunna akkua pistoin tai iskuin, sillä tällöin on olemassa onnettomuus- ja tulipalovaara.
- ◆ Älä lataa vaurioituneita akkuja.
- ◆ Ääriolosuhteissa akut saattavat vuotaa. Kun havaitset akusta tulevan nestettä, toimi seuraavasti:
- ◆ Kuivaa neste varovasti pois siivousliinalla. Vältä nesteen joutuminen iholle.
- ◆ Mikäli nestettä osuu iholle tai silmiin, noudata alla olevia ohjeita.

Varoitus! Akkuneste voi aiheuttaa henkilö- tai omaisuusvahinkoja. Jos akkunestettä pääsee iholle, huuhto se välittömästi vedellä. Jos iho punoittaa tai jos iholla esiintyy kipua tai ärsytystä, käänny lääkärin puoleen. Mikäli nestettä pääsee silmiin, huuhtelee silmät välittömästi puhtaalla vedellä ja käänny lääkärin puoleen.

Laturit

Laturi on suunniteltu tietyille jännitteelle. Tarkista aina ennen laitteen käyttöä, että verkkojännite vastaa arvokilvessä ilmoitettua jännitettä.

Varoitus! Älä koskaan yritä vaihtaa laturia normaaliin verkkovirtapistokkeeseen.

- ◆ Käytä Black & Decker -laturia ainoastaan laitteen mukana toimitetun akun lataamiseen. Muunlaiset akut saattavat räjähtää aiheuttaen henkilö- ja omaisuusvahinkoja.
- ◆ Älä koskaan yritä ladata ei-ladattavia akkuja.
- ◆ Jos sähköjohto on vaurioitunut, se saadaan vaihtaa vain valtuutetussa Black & Deckerin huoltoliikkeessä vaaratilanteiden välttämiseksi.
- ◆ Älä altista laturia vedelle.
- ◆ Älä avaa laturia.

- ◆ Älä vahingoita laturia.
- ◆ Laite/työkalu/akku tulee asettaa hyvin tuuletettuun tilaan latauksen ajaksi.

Sähköturvallisuus

Laturi on suunniteltu tietyille jännitteelle. Tarkista aina ennen laitteen käyttöä, että verkkojännite vastaa arvokilvessä ilmoitettua jännitettä. Älä koskaan yritä vaihtaa laturia normaaliin verkkovirtapistokkeeseen.

Laturin symbolit



Laturi on kaksoiseristetty; siksi erillistä maadoitusta ei tarvita.



Erotusmuuntaja on vian sattuessa turvallinen. Virtalähde on sähköisesti erillään muuntajan ulostulosta.



Kun ympäristön lämpötila kohoaa liian korkeaksi, laturi kytkeytyy automaattisesti pois päältä. Kun ympäristön lämpötila on taas laskenut, laturin toiminta jatkuu.



Laturi on tarkoitettu vain sisäkäyttöön.

Ominaisuudet

1. Virrankatkaisija
1. Kaksinopeuksinen virrankatkaisija (CV1205)
2. Vapautusnappi
3. Pölynkeräysastia
4. Latausteline
5. Suodattimen puhdistuspyörä (CV9605/CV1205)
6. Latausvalo - lataus käynnissä

Kuva A

7. Rakosuulake
8. Harja

Asentaminen

Seinätelineen kiinnittäminen seinään (kuva B)

Latausteline voidaan kiinnittää työtasolle tai seinään, jolloin se toimii laitteen sekä säilytys- että latauspaikkana.

Kokoaminen

Lisävarusteiden asennus (kuva A & C)

Nämä mallit toimitetaan seuraavien tarvikkeiden kanssa:

- ◆ rakosuulake (7) ahtaita paikkoja varten
 - ◆ harja (8) kalusteita ja portaita varten
- Kiinnitä lisävaruste seuraavasti:
- ◆ Ota lisävarusteet ulos laitteesta.
 - ◆ Aseta tarvitsemasi lisävaruste laitteen etuosaan.

Käyttö

- ◆ Akkua täytyy ladata vähintään 24 tuntia ennen ensimmäistä käyttökertaa.
- ◆ Laita laite seinätelineeseen aina, kun sitä ei käytetä.

Akun lataaminen (kuva B)

- ◆ Varmista, että laite on pois päältä. Akku ei lataudu, jos virrankatkaisin on päällä-asennossa.
- ◆ Aseta laite lataustelineeseen kuvan osoittamalla tavalla.
- ◆ Kytke laturi virtalähteeseen. Kytke se päälle.

Latauksen merkkivalo (6) syttyy.

- ◆ Anna laitteen latautua vähintään 24 tuntia.

Laturi saattaa lämmitä latauksen aikana. Tämä on täysin normaalia eikä ole merkinä ongelmasta. Laite voi olla kytkettyä laturiin kuinka kauan tahansa. Latauksen merkkivalo palaa niin kauan kuin laite on kytkettyä laturiin.

Varoitus! Älä lataa akkua alle 10 °C:n tai yli 40 °C:n lämpötiloissa.

Käynnistys ja pysäytys (kuva D)

- ◆ Kytke kone päälle liu'uttamalla virtakytkintä (1) eteenpäin.
- ◆ Jos haluat sammuttaa koneen, liu'uta virtakytkintä taaksepäin.

CV1205/CV9605 - Imutehon optimointi (kuva E)

Jotta imuteho pysyy optimaalisena, suodatin on puhdistettava säännöllisesti käytön yhteydessä.

- ◆ Kierrä pyörää (5) muutama kierros, jotta pöly irtoaa suodattimesta (9).

Puhdistus ja huolto

Varoitus! Puhdista suodattimet säännöllisesti.

Pölynkeräysastian ja suodattimien puhdistaminen (kuva F - J)

Suodattimia voidaan käyttää kerta toisensa jälkeen; siksi ne on puhdistettava säännöllisesti.

- ◆ Paina vapautusnappia (2) ja irrota pölynkerääjä (3) (kuva F).
- ◆ Tyhjennä pölyastia (kuva G).
- ◆ Irrota suodattimet (9 & 10) kiertämällä niitä myötäpäivään (kuva H).
- ◆ Harjaa kaikki irtopöly pois suodattimista.
- ◆ Pese suodattimet lämpimässä saippuavedessä (kuva I). Myös pölynkeräysastia voidaan tarvittaessa pestä. Älä upota konetta veteen (kuva J).
- ◆ Varmista, että pölynkeräysastia ja suodattimet ovat kuivia.
- ◆ Asenna suodattimet (9 & 10) takaisin laitteeseen. Kierrä niitä vastapäivään, kunnes ne lukittuvat paikalleen.
- ◆ Asenna pölynkeräysastia takaisin laitteeseen. Varmista, että se napsahtaa kiinni paikalleen.

Varoitus! Älä koskaan käytä laitetta ilman suodattimia. Paras imurointitulosaadaan ainoastaan silloin, kun suodattimet ovat kuivia ja pölynkeräysastia on tyhjä.

CV1205/CV7205/CV9605 - Poistosuodattimen puhdistaminen (kuva K)

- ◆ Avaa kansi (11).
- ◆ Irrota suodatin (12) syvennyksestä.
- ◆ Pese suodatin lämpimässä saippuavedessä.
- ◆ Varmista, että suodatin on kuiva.
- ◆ Asenna suodatin (12) takaisin.
- ◆ Sulje kansi.

Suodattimien vaihtaminen

Suodattimet tulee vaihtaa 6-9 kuukauden välein tai jos ne ovat kuluneet tai vaurioituneet. Uusia suodattimia myyvät Black & Decker -tuotteiden jälleenmyyjät (luettelonumero: VF45 mallissa CV9605H; luettelonumero: VF40 kaikissa muissa malleissa).

- ◆ Poista suodattimet yllä kuvatulla tavalla.
- ◆ Asenna uudet suodattimet yllä kuvatulla tavalla.

Ympäristö



Erillinen keräys. Tätä tuotetta ei saa hävittää normaalin kotitalousjätteen kanssa.

Kun Black & Decker -koneesi on käytetty loppuun, älä hävitä sitä kotitalousjätteen mukana. Tämä tuote on kerättävä erikseen.



Käytettyjen tuotteiden ja pakkausten erillinen keräys mahdollistaa materiaalien kierrätyksen ja uudelleenkäytön. Kierrätettyjen materiaalien uudelleenkäyttö auttaa ehkäisemään ympäristön saastumisen ja vähentää raaka-aineiden kysyntää.

Paikallisten säännösten mukaisesti on mahdollista viedä kotitalouksien sähkölaitteet kuntien kaatopaikoille tai jättää ne vähittäismyyjälle ostettaessa uusi tuote.

Black & Decker tarjoaa mahdollisuuden Black & Decker -tuotteiden keräykseen ja kierrätykseen sen jälkeen, kun ne on poistettu käytöstä. Jotta voisit hyötyä tästä palvelusta, palauta laitteesi johonkin valtuutettuun huoltoliikkeeseen, joka kerää laitteet meidän puolestamme.

Voit tarkistaa lähimmän valtuutetun huoltoliikkeen sijainnin ottamalla yhteyden Black & Deckerin toimistoon, joka sijaitsee tässä käsikirjassa annetussa osoitteessa. Lista valtuutetuista Black & Decker

-huoltoliikkeistä sekä yksityiskohtaiset tiedot korjauspalvelustamme ovat vaihtoehtoisesti saatavilla Internetissä, osoitteessa www.2helpU.com

Akku (kuva L - N)



Black & Deckerin akut voidaan ladata useaan kertaan. Vie loppuun käytetyt akut niille tarkoitettuun keräyspaikkaan tai -astiaan.

Vie loppuunkäytetyt akut niille tarkoitettuun keräyspaikkaan tai -astiaan. Ne on hävitettävä paikallisten lakien mukaisesti.

- ◆ Tyhjennä akku käyttämällä laitetta, kunnes moottori pysähtyy.

Akku on laitteen takaosan alla.

- ◆ Ota lisävarusteet ulos laitteesta.
- ◆ Irrota ruuvit (13).
- ◆ Avaa kiinnikkeet (14), jotka pitävät tarviketelineen paikallaan.
- ◆ Poista tarviketeline (15).
- ◆ Poista ruuvit (16), jotka pitävät akkua paikallaan.
- ◆ Liu'uta akkua (17) taaksepäin kuvan osoittamalla tavalla.
- ◆ Poista akku.
- ◆ Laita akku sopivaan pakkaukseen siten, etteivät navat pääse oikosulkuun.
- ◆ Voit viedä akut niille tarkoitettuun keräysastiaan tai paikalliseen kierrätyskeskukseen.

Varoitus! Kun akku on irrotettu, sitä ei voi enää laittaa takaisin.

Tekniset tiedot

	CV1205 H2	CV7205 H2 CV7205B H2
Jännite	V 12	7,2
Paino	kg 1,4	1,1

	CV9605 H2	V4805 H2 CV9605G H2	V4805Y H2 CV9605H H2	V4806 H2 CV9605P H2	V4807 H2
Jännite	V 9,6	4,8			
Paino	kg 1,3	0,9			

Tekniset tiedot

V6005 H2	
Jännite	V 6,0
Paino	kg 1,0

Laturi

		**090020D	**100015D
Malli		V48	V60
Jännite	V _{AC}	230	230
Lähtöjännite	V _{AC}	9	10
Ampeeriluku	mA	200	150
Latausaika (noin)	h	24	24
Paino	kg	0,3	0,3

		**110020D	**140020D
Malli		CV72	CV96
Jännite	V _{AC}	230	230
Lähtöjännite	V _{AC}	11	14
Ampeeriluku	mA	200	200
Latausaika (noin)	h	24	24
Paino	kg	0,3	0,3

CHA002014	
Malli	CV12
Jännite	V _{AC} 100-240
Lähtöjännite	V _{DC} 7,2-24
Ampeeriluku	mA 85
Latausaika (noin)	h 24
Paino	kg 0,3

Äänenpainetaso mitattu EN 60704-1:n mukaisesti:

Äänenpaine (L_{pa}) < 70 dB(A), epävarmuus (K) 3 dB(A)

Korjaukset/Varaosat

Mikäli koneeseen tulee vikaa, jätä se aina Black & Deckerin valtuuttamaan huoltoliikkeeseen korjattavaksi. Varaosia myyvät valtuutetut Black & Deckerin huoltoliikkeet, ja heiltä voi myös pyytää kustannusarvion koneen korjauksesta.

Tiedot valtuutetuista huoltoliikkeistä löytyvät internetistä osoitteesta **www.2helpU.com** sekä kotisivuiltamme **www.blackanddecker.fi**

Takuu

Black & Decker Oy takaa, ettei koneessa ollut materiaali- ja/tai valmistusvikaa silloin, kun se toimitettiin ostajalle. Takuu on lisäyksen kuluttajan laillisiin oikeuksiin eikä vaikuta niihin. Takuu on voimassa Euroopan Unionin jäsenmaissa ja Euroopan vapaakauppa-alueella (EFTA).

Mikäli Black & Decker -kone hajoaa materiaali- ja/tai valmistusvirheen tai teknisten tietojen epätarkkuuden vuoksi 24 kk:n kuluessa ostopäivästä, Black & Decker korjaa koneen ilman kustannuksia ostajalle tai vaihtaa sen uuteen Black & Decker Oy:n valinnan mukaan.

Takuu ei kata vikoja, jotka johtuvat koneen

- ◆ normaalista kulumisesta
- ◆ ylikuormituksesta, virheellisestä käytöstä tai hoidosta
- ◆ vahingoittamisesta vieraalla esineellä tai aineella tai onnettomuustapauksessa

Takuu ei ole voimassa, mikäli konetta on korjannut joku muu kuin Black & Deckerin valtuuttama huoltoliike.

Edellytyksenä takuun saamiselle on, että ostaja jättää koneen ja ostokuitin jälleenmyyjälle tai valtuutetulle huoltoliikkeelle viimeistään 2 kuukauden kuluessa vian ilmenemisestä. Tiedot valtuutetuista huoltoliikkeistä saa ottamalla yhteyttä Black & Decker Oy:hyn sekä internetistä osoitteesta **www.2helpU.com**, jossa on myös takuehdot.

Voit vierailla verkkosivullamme **www.blackanddecker.fi** rekisteröidäksesi uuden Black & Decker -tuotteesi ja saadaksesi tietoa uusista tuotteista ja erikoistarjouksista. Saat lisätietoja Black & Deckerin tavaramerkistä ja tuotevalikoimastamme osoitteesta **www.blackanddecker.fi**

Ενδεδειγμένη χρήση

Το δικό σας σκουπάκι Dustbuster® της Black & Decker έχει σχεδιαστεί για ελαφρές εργασίες ξηρού σκουπίσματος.

Οδηγίες ασφαλείας

- ◆ **Προειδοποίηση!** Κατά τη χρήση επαναφορτιζόμενων συσκευών, θα πρέπει πάντα να λαμβάνονται οι βασικές προφυλάξεις ασφαλείας, για τον περιορισμό του κινδύνου πυρκαγιάς, διαρροής υγρού από μπαταρίες, σωματικών βλαβών και υλικών ζημιών.
- ◆ Πριν χρησιμοποιήσετε τη συσκευή διαβάστε προσεκτικά ολόκληρο το εγχειρίδιο.
- ◆ Η ενδεδειγμένη χρήση περιγράφεται σε αυτό το εγχειρίδιο. Η χρήση οποιοδήποτε αξεσουάρ ή προσθήκης, ή η απόδοση οποιασδήποτε λειτουργίας με αυτή τη συσκευή, εκτός αυτών που προτείνονται σε αυτό το εγχειρίδιο οδηγίων, εγκυμονεί κίνδυνο τραυματισμού.
- ◆ Φυλάξτε το εγχειρίδιο αυτό για να μπορείτε να ανατρέξετε σε αυτό στο μέλλον.

Χρήση της συσκευής σας

- ◆ Μη χρησιμοποιήσετε τη συσκευή για τη συλλογή υγρών ή άλλων εύφλεκτων υλικών.
- ◆ Μη χρησιμοποιείτε τη συσκευή κοντά σε νερό. Μη βυθίζετε τη συσκευή σε νερό.
- ◆ Ποτέ μην αποσυνδέετε το φορτιστή από την πρίζα τραβώντας το καλώδιό του. Φροντίστε το καλώδιο να παραμένει μακριά από τη θερμότητα, τα λάδια και από αιχμηρές ακμές.

Μετά τη χρήση

- ◆ Βγάλτε το φορτιστή από την πρίζα πριν από τον καθαρισμό του φορτιστή ή της βάσης φόρτισης.
- ◆ Όταν δεν χρησιμοποιείται, η συσκευή θα πρέπει να αποθηκεύεται σε ξηρό χώρο. Τα παιδιά δεν πρέπει να έχουν πρόσβαση στις αποθηκευμένες συσκευές.

Έλεγχο και επισκευές

- ◆ Πριν τη χρήση, ελέγξτε τη συσκευή για τυχόν φθαρμένα ή ελαττωματικά εξαρτήματα. Ελέγξτε για εξαρτήματα που πιθανόν να έχουν σπάσει, για διακόπτες που πιθανόν να έχουν πάθει ζημιά και γενικά κάθε είδους συνθήκες που θα μπορούσαν ενδεχομένως να επηρεάσουν τη λειτουργία της συσκευής.
- ◆ Μη χρησιμοποιείτε τη συσκευή εάν κάποιο εξάρτημά της έχει πάθει ζημιά ή παρουσιάζει ελάττωμα.
- ◆ Ζητήστε από εξουσιοδοτημένο συνεργείο σέρβις την επισκευή ή την αντικατάσταση όλων των φθαρμένων ή ελαττωματικών εξαρτημάτων.
- ◆ Να ελέγχετε τακτικά το καλώδιο του φορτιστή για φθορές. Αντικαταστήστε το φορτιστή εάν το καλώδιο είναι φθαρμένο ή ελαττωματικό.
- ◆ Μην επιχειρήσετε ποτέ να αφαιρέσετε ή να αντικαταστήσετε εξαρτήματα εκτός αυτών που προσδιορίζονται σε αυτό το εγχειρίδιο.

Αναπόφευκτοι κίνδυνοι

Μπορεί να προκληθούν επιπρόσθετοι αναπόφευκτοι κίνδυνοι όταν χρησιμοποιείτε το εργαλείο οι οποίοι μπορεί να μη συμπεριλαμβάνονται στις προειδοποιήσεις ασφαλείας που εσωκλείονται. Αυτοί οι κίνδυνοι μπορεί να προκληθούν από κακή χρήση, παρατεταμένη χρήση, κτλ.

Ακόμα και με την τήρηση των σχετικών κανονισμών ασφαλείας και τη χρήση μέσων προστασίας, ορισμένοι κίνδυνοι δεν είναι δυνατό να εξαλειφθούν. Αυτοί περιλαμβάνουν:

- ◆ Τραυματισμούς από το άγγιγμα των περιστρεφόμενων/κινούμενων μερών.
- ◆ Τραυματισμούς από αλλαγή οποιωνδήποτε εξαρτημάτων, λεπίδων ή αξεσουάρ.
- ◆ Τραυματισμούς από παρατεταμένη χρήση του εργαλείου. Όταν χρησιμοποιείτε οποιοδήποτε εργαλείο για παρατεταμένες χρονικές περιόδους βεβαιωθείτε ότι κάνετε τακτικά διαλείμματα.

- ◆ Προβλήματα ακοής.
- ◆ Κίνδυνοι στην υγεία που προκαλούνται από την εισπνοή σκόνης όταν χρησιμοποιείτε το εργαλείο (παράδειγμα: όταν επεξεργάζεστε ξύλο, ειδικά δρυς, οξιά και MDF).

Ασφάλεια άλλων

- ◆ Αυτή η συσκευή δεν προσδιορίζεται για χρήση από άτομα (συμπεριλαμβάνοντας και τα παιδιά) με ελαττωμένες φυσικές, αισθητήριες και ψυχικές δυνατότητες, ή έλλειψη εμπειρίας και γνώσης, εκτός αν υπάρχει επιτήρηση ή οδηγίες για τη χρήση της συσκευής από έναν υπεύθυνο άτομο για την ασφάλεια τους.
- ◆ Τα παιδιά πρέπει να επιτηρηθούν για να βεβαιωθείτε ότι δεν παίζουν με τη συσκευή.

Επιπρόσθετες οδηγίες ασφαλείας για μπαταρίες και φορτιστές

Μπαταρίες

- ◆ Μην επιχειρήσετε ποτέ να την ανοίξετε, για κανένα λόγο.
- ◆ Μην εκθέτετε την μπαταρία σε νερό.
- ◆ Μην εκθέτετε την μπαταρία σε θερμότητα.
- ◆ Μην την αποθηκεύετε σε χώρους όπου η θερμοκρασία μπορεί να υπερβεί τους 40 °C.
- ◆ Να τη φορτίζετε μόνο σε θερμοκρασία περιβάλλοντος μεταξύ 10 °C και 40 °C.
- ◆ Η φόρτιση πρέπει να γίνεται μόνο με το φορτιστή που παρέχεται με τη συσκευή / το εργαλείο.
- ◆ Σε ό,τι αφορά την απόρριψη των μπαταριών, ακολουθήστε τις οδηγίες που παρατίθενται στην ενότητα "Διάθεση εργαλείων και περιβάλλον".
- ◆ Μην προκαλείτε ζημιές ή παραμορφώσεις στη μπαταρία, τρυπώντας ή χτυπώντας τη, καθώς οι ενέργειες αυτές εγκυμονούν κίνδυνο τραυματισμού ή πυρκαγιάς.
- ◆ Μη φορτίζετε φθαρμένες μπαταρίες.
- ◆ Σε περίπτωση έκθεσης σε ακραίες συνθήκες, η μπαταρία ενδέχεται να παρουσιάσει διαρροή. Αν παρατηρήσετε υγρά στις μπαταρίες, ενεργήστε ως ακολούθως:

- ◆ Σκουπίστε προσεκτικά τα υγρά με ένα πανί. Αποφύγετε την επαφή με το δέρμα.
- ◆ Σε περίπτωση επαφής με το δέρμα ή τα μάτια, ακολουθήστε τις παρακάτω οδηγίες.

Προειδοποίηση! Το υγρό μπαταριών μπορεί να προκαλέσει σωματικές βλάβες ή καταστροφή περιουσίας. Σε περίπτωση δερματικής επαφής, ξεπλύνετε αμέσως με νερό. Εάν υπάρχει ερυθρότητα, πόνος ή ερεθισμός αναζητήστε ιατρική βοήθεια. Σε περίπτωση επαφής με τα μάτια, ξεπλύνετε αμέσως με καθαρό νερό και αναζητήστε ιατρική βοήθεια.

Φορτιστές

Ο φορτιστής σας έχει σχεδιαστεί για συγκεκριμένες τάσεις. Ελέγχετε πάντα αν η τάση τροφοδοσίας αντιστοιχεί σε αυτήν που αναγράφεται στην πινακίδα χαρακτηριστικών.

Προειδοποίηση! Ποτέ μην επιχειρήσετε να υποκαταστήσετε το φορτιστή με κοινή πρίζα ρεύματος.

- ◆ Χρησιμοποιήστε μόνο το φορτιστή της Black & Decker για τη φόρτιση μπαταριών του τύπου που συνοδεύει το εργαλείο σας. Σε άλλες μπαταρίες ενδέχεται να σημειωθεί διάρρηξη, προκαλώντας τραυματισμό και ζημιά.
- ◆ Μην επιχειρήσετε ποτέ να επαναφορτίσετε μη επαναφορτιζόμενες μπαταρίες.
- ◆ Αν το καλώδιο ρεύματος έχει υποστεί βλάβη, πρέπει να αντικατασταθεί από τον κατασκευαστή ή από εξουσιοδοτημένο Κέντρο Επισκευών Black & Decker ώστε να αποφύγετε τους κινδύνους.
- ◆ Μην εκθέτετε το φορτιστή σε νερό.
- ◆ Μην ανοίγετε το φορτιστή.
- ◆ Μην επιχειρήσετε να διερευνήσετε το εσωτερικό του φορτιστή.
- ◆ Η συσκευή/εργαλείο/μπαταρία πρέπει να τοποθετηθεί σε μια καλά αερισμένη περιοχή όταν φορτώνει.

Ελεγχος και επισκευές

Ο φορτιστής σας έχει σχεδιαστεί για συγκεκριμένες τάσεις. Ελέγχετε πάντα αν η τάση τροφοδοσίας αντιστοιχεί σε

αυτήν που αναγράφεται στην πινακίδα χαρακτηριστικών. Ποτέ μην επιχειρήσετε να υποκαταστήσετε το φορτιστή με κοινή πρίζα ρεύματος.

Σύμβολα στον φορτιστή



Ο φορτιστής σας φέρει διπλή μόνωση, επομένως δεν απαιτείται σύρμα γείωσης.



Μετασχηματιστής απομόνωσης ασφαλούς λειτουργίας. Η παροχή ρεύματος είναι ηλεκτρικά διαχωρισμένη από την έξοδο του μετασχηματιστή.



Η τροφοδοσία του φορτιστή διακόπεται αυτόματα εάν η θερμοκρασία του περιβάλλοντος γίνει πολύ υψηλή. Αμέσως μόλις πέσει η θερμοκρασία του περιβάλλοντος, ο φορτιστής θα ξαναρχίσει να λειτουργεί.



Ο φορτιστής προορίζεται μόνο για χρήση σε εσωτερικούς χώρους.

Χαρακτηριστικά

1. Διακόπτης on/off
1. Διακόπτης (on/off) δύο ταχυτήτων (CV1205)
2. Κουμπί απελευθέρωσης
3. Κάδος αποθήκευσης σκόνης
4. Βάση φόρτισης
5. Φίλτρο καθαρισμού τροχού (CV9605/CV1205)
6. Ενδειξη φόρτισης

Εικ. Α

7. Εξάρτημα για δύσκολα σημεία
8. Βούρτσα

Εγκατάσταση

Τοποθέτηση της βάσης φόρτισης στο τοίχο (εικ. Β)

Η βάση φόρτισης μπορεί να τοποθετηθεί στο τοίχο, αποτελώντας έτσι ένα βολικό σημείο φύλαξης και φόρτισης της συσκευής.

Συναρμολόγηση

Τοποθέτηση των αξεσουάρ (εικ. Α & C)

Τα μοντέλα αυτά συνοδεύονται από τα ακόλουθα αξεσουάρ:

- ◆ ένα μυτερό εξάρτημα (7) για δυσπρόσιτα σημεία
- ◆ μία βούρτσα (8) για έπιπλα και σκάλες

Για να τοποθετήσετε κάποιο εξάρτημα, ακολουθήστε τα παρακάτω βήματα:

- ◆ Βγάλτε τα αξεσουάρ από τη συσκευή.
- ◆ Τοποθετήστε το κατάλληλο αξεσουάρ στο μπροστινό μέρος της συσκευής.

Χρήση

- ◆ Πριν από την πρώτη χρήση, η μπαταρία θα πρέπει να φορτιστεί επί τουλάχιστον 24 ώρες.
- ◆ Τοποθετήστε τη συσκευή στη βάση φόρτισης οποτεδήποτε δεν χρησιμοποιείται.

Φόρτιση της μπαταρίας (εικ. Β)

- ◆ Βεβαιωθείτε ότι η συσκευή είναι εκτός λειτουργίας. Η μπαταρία δε θα πρέπει να φορτίζεται εάν ο διακόπτης on/off βρίσκεται στη θέση on.
- ◆ Τοποθετήστε τη συσκευή επάνω στη βάση φόρτισης, όπως εικονίζεται.
- ◆ Συνδέστε το φορτιστή στην πρίζα. Βεβαιωθείτε ότι υπάρχει παροχή ρεύματος.

Θα ανάψει η ένδειξη φόρτισης (6).

- ◆ Αφήστε τη συσκευή να φορτίσει επί τουλάχιστον 24 ώρες.

Κατά τη φόρτιση, υπάρχει η πιθανότητα να θερμανθεί ο φορτιστής. Αυτό είναι φυσιολογικό και δεν αποτελεί πρόβλημα. Η συσκευή μπορεί να παραμείνει συνδεδεμένη στο φορτιστή για απεριόριστο χρονικό διάστημα. Η ένδειξη φόρτισης θα ανάψει εφόσον η συσκευή είναι συνδεδεμένη στον φορτιστή πρίζας.

Προειδοποίηση! Μην φορτίζετε τη μπαταρία σε θερμοκρασίες περιβάλλοντος κάτω από 10 °C ή πάνω από 40 °C.

Θέση εντός και εκτός λειτουργίας (εικ. D)

- ◆ Για να θέσετε σε λειτουργία τη συσκευή, σύρετε εμπρός το διακόπτη on/off (1).
- ◆ Για να σβήσετε τη συσκευή, σύρετε πίσω το διακόπτη on/off.

CV1205/CV9605 - Βελτιστοποίηση της δύναμης αναρρόφησης (εικ. E)

Για να διατηρήσετε τη δύναμη αναρρόφησης βελτιστοποιημένη, το φίλτρο πρέπει να καθαρίζεται κατά τη διάρκεια της χρήσης.

- ◆ Περιστρέψτε το τροχό (5) μερικές στροφές για να τινάξετε τη σκόνη που φράζει το φίλτρο (9).

Καθαρισμός και συντήρηση

Προειδοποίηση! Να καθαρίζετε τα φίλτρα τακτικά.

Καθαρισμός του κάδου αποθήκευσης σκόνης και των φίλτρων (εικ. F - J)

Τα φίλτρα μπορούν να ξαναχρησιμοποιηθούν και θα πρέπει να καθαρίζονται τακτικά.

- ◆ Πατήστε το κουμπί απελευθέρωσης (2) και αφαιρέστε τον κάδο αποθήκευσης σκόνης (3) (εικ. F).
- ◆ Αδειάστε το κάδο συλλογής σκόνης (εικ. G).
- ◆ Αφαιρέστε τα φίλτρα (9 & 10) στρέφοντάς τα προς τα δεξιά (εικ. H).
- ◆ Βουρτσίστε τυχόν επιφανειακή σκόνη από τα φίλτρα.
- ◆ Πλύνετε τα φίλτρα σε ζεστή σαπουνάδα (εικ. I). Μπορεί να πλυθεί και ο κάδος αν είναι απαραίτητο. Μην βυθίζετε τη συσκευή στο νερό (εικ. J).
- ◆ Βεβαιωθείτε ότι ο κάδος αποθήκευσης σκόνης και τα φίλτρα είναι στεγνά.
- ◆ Τοποθετήστε πάλι τα φίλτρα (9 & 10) στην συσκευή, στρέφοντάς τα προς τα αριστερά μέχρι να ασφαλίσει στην θέση τους.
- ◆ Τοποθετήστε ξανά τον κάδο αποθήκευσης της σκόνης στη συσκευή. Βεβαιωθείτε ότι ο κάδος αποθήκευσης σκόνης έχει ασφαλίσει καλά στη θέση του.

Προειδοποίηση! Μη χρησιμοποιείτε ποτέ τη συσκευή χωρίς τα φίλτρα. Η συλλογή της σκόνης θα είναι αποτελεσματική μόνο αν είναι καθαρά τα φίλτρα και αν είναι άδειος ο κάδος αποθήκευσης της σκόνης.

CV1205/CV7205/CV9605 - Καθαρισμός του φίλτρου εξάτμισης (εικ. K)

- ◆ Ανοίξτε το καπάκι (11).
- ◆ Αφαιρέστε το φίλτρο (12) από την εσοχή.
- ◆ Πλύνετε το φίλτρο σε χλιαρή σαπουνάδα.
- ◆ Βεβαιωθείτε ότι το φίλτρο είναι στεγνό.
- ◆ Επανατοποθετήστε το φίλτρο (12).
- ◆ Κλείστε το καπάκι.

Αντικατάσταση των φίλτρων

Τα φίλτρα πρέπει να αντικαθίστανται κάθε 6 έως 9 μήνες και οποτεδήποτε φθαρούν ή καταστραφούν. Το δικό σας εξουσιοδοτημένο κατάστημα Black & Decker διαθέτει ανταλλακτικά φίλτρα (κωδικός κατάλογου: VF45 για CV9605H; κωδικός κατάλογου: VF40 για όλα τα άλλα μοντέλα).

- ◆ Βγάλτε τα παλιά φίλτρα όπως περιγράφεται παραπάνω.
- ◆ Τοποθετήστε τα καινούρια φίλτρα όπως περιγράφεται παραπάνω.

Διάθεση εργαλείων και περιβάλλον



Ξεχωριστή συλλογή. Αυτό το προϊόν δεν πρέπει να απορριφθεί με συνηθισμένα σπιτικά απορρίμματα.

Εάν κάποια μέρα διαπιστώσετε ότι το προϊόν σας Black & Decker χρειάζεται αντικατάσταση ή δεν σας χρησιμεύει πλέον, μην το απορρίψετε με τα σπιτικά απορρίμματα. Κάντε αυτό το προϊόν διαθέσιμο για ξεχωριστή συλλογή.



Η ξεχωριστή συλλογή χρησιμοποιημένων προϊόντων και συσκευασιών επιτρέπει την ανακύκλωση υλικών.

Η επανάχρηση ανακυκλωμένων υλικών βοηθάει την προστασία του περιβάλλον και μειώνει την ζήτηση για σπάνια υλικά.

Οι τοπικοί κανονισμοί μπορεί να παρέχουν ξεχωριστή συλλογή ηλεκτρικών προϊόντων από κατοικίες, δημοτικές τοποθεσίες απορριμμάτων ή από τον έμπορα όταν αγοράσατε το καινούργιο προϊόν.

H Black & Decker δίνει τη δυνατότητα συλλογής και ανακύκλωσης των προϊόντων της που έχουν συμπληρώσει τη διάρκεια ζωής τους. Αν θέλετε να χρησιμοποιήσετε την εν λόγω υπηρεσία, επιστρέψτε το προϊόν σας σε οποιοδήποτε εξουσιοδοτημένο κέντρο επισκευών, όπου θα το παραλάβουν εκ μέρους σας.

Ενημερωθείτε για το πλησιέστερο κέντρο επισκευών της περιοχής σας, επικοινωνώντας με τα γραφεία της Black & Decker στη διεύθυνση που αναγράφεται στο εγχειρίδιο. Επίσης, για να πληροφορηθείτε τα εξουσιοδοτημένα κέντρα επισκευών της Black & Decker και τις λεπτομέρειες και τους αρμόδιους των υπηρεσιών που παρέχονται μετά την πώληση, μπορείτε ανατρέξτε στο Διαδίκτυο στη διεύθυνση:

www.2helpU.com

Μπαταρία (εικ. L - N)



Οι μπαταρίες Black & Decker μπορούν να επαναφορτιστούν πολλές φορές. Όταν πλέον δεν μπορούν να ξαναχρησιμοποιηθούν, απορρίψτε τις με τρόπο κατάλληλο για το περιβάλλον.

Αν θέλετε να απορρίψετε το προϊόν εσείς, πρέπει να αφαιρεθεί η μπαταρία όπως περιγράφεται παρακάτω και η απόρριψή της να γίνει σύμφωνα με τους τοπικούς κανονισμούς.

- ◆ Κατά προτίμηση αποφορτίστε την μπαταρία, θέτοντας τη συσκευή σε λειτουργία μέχρι να σταματήσει το μοτέρ.

Η μπαταρία βρίσκεται κάτω από το πίσω τμήμα της συσκευής.

- ◆ Βγάλτε τα αξεσουάρ από τη συσκευή.
- ◆ Αφαιρέστε τις βίδες (13).
- ◆ Ξεκλειδώστε τα αυτάκια (14) που συγκρατούν την υποδοχή του αξεσουάρ στη θέση του.
- ◆ Αφαιρέστε την υποδοχή (15) του αξεσουάρ.
- ◆ Αφαιρέστε τις βίδες (16), διατηρώντας την μπαταρία στη θέση της.
- ◆ Σύρετε τη μπαταρία (17) προς τα πίσω όπως δείχνεται.
- ◆ Αφαιρέστε τη μπαταρία.
- ◆ Συσκευάστε τη μπαταρία κατάλληλα, ώστε να εξαλείψετε το ενδεχόμενο βραχυκύκλωσης των πόλων.
- ◆ Στείλτε τη μπαταρία στον αντιπρόσωπό σας ή σε έναν τοπικό σταθμό ανακύκλωσης.

Προειδοποίηση! Μετά την αφαίρεση της, η μπαταρία δε μπορεί να ξανατοποθετηθεί.

Τεχνικά χαρακτηριστικά

	CV1205 H2	CV7205 H2 CV7205B H2
Τάση	V 12	7,2
Βάρος	kg 1,4	1,1

	CV9605 H2	V4805 H2 CV9605G H2	V4805Y H2 CV9605H H2	V4806 H2 CV9605P H2	V4807 H2
Τάση	V 9,6	4,8			
Βάρος	kg 1,3	0,9			

	V6005 H2
Τάση	V 6,0
Βάρος	kg 1,0

Φορτιστής

		**090020D	**100015D
Μοντέλο		V48	V60
Τάση δικτύου	V_{AC}	230	230
Τάση εξόδου	V_{AC}	9	10
Αμπέραζ	mA	200	150
Χρόνος φόρτισης κατά προσέγγιση	h	24	24
Βάρος	kg	0,3	0,3

		**110020D	**140020D
Μοντέλο		CV72	CV96
Τάση δικτύου	V_{AC}	230	230
Τάση εξόδου	V_{AC}	11	14
Αμπέραζ	mA	200	200
Χρόνος φόρτισης κατά προσέγγιση	h	24	24
Βάρος	kg	0,3	0,3

		CHA002014*	
Μοντέλο		CV12	
Τάση δικτύου	V_{AC}	100-240	
Τάση εξόδου	V_{DC}	7,2-24	
Αμπέραζ	mA	85	
Χρόνος φόρτισης κατά προσέγγιση	h	24	
Βάρος	kg	0,3	

Στάθμη πίεσης ήχου σύμφωνα με το πρότυπο
EN 60704-1:

Πίεση ήχου (L_{pA}) < 70 dB(A), αβεβαιότητα (K) 3 dB(A)

Εγγύηση

Η Black & Decker είναι σίγουρη για την ποιότητα των προϊόντων της και παρέχει σημαντική εγγύηση. Η παρούσα γραπτή εγγύηση αποτελεί πρόσθετο δικαίωμά σας και δεν ζημιώνει τα συνταγματικά σας δικαιώματα. Η εγγύηση ισχύει εντός της επικράτειας των Κρατών Μελών της Ευρωπαϊκής Ένωσης και της Ευρωπαϊκής Ζώνης Ελευθέρων Συναλλαγών.

Σε περίπτωση που κάποιο προϊόν της Black & Decker παρουσιάσει βλάβη εξαιτίας ελαττωματικών υλικών, ποιότητας εργασίας ή έλλειψης συμφωνίας με τις προδιαγραφές εντός 24 μηνών από την ημερομηνία αγοράς, η Black & Decker εγγυάται την αντικατάσταση των ελαττωματικών τμημάτων, την επισκευή προϊόντων που

έχουν υποστεί εύλογη φθορά λόγω χρήσης ή την αντικατάσταση των προϊόντων προκειμένου να εξασφαλίσει την ελάχιστη ενόχληση στους πελάτες της, εκτός αν:

- ◆ Το προϊόν έχει χρησιμοποιηθεί σε εργασιακό, επαγγελματικό περιβάλλον ή αν έχει ενοικιαστεί
- ◆ Έχει γίνει εσφαλμένη χρήση του προϊόντος ή αν έχει παραμεληθεί
- ◆ Το προϊόν έχει υποστεί βλάβη από άλλα αντικείμενα, από ουσίες ή λόγω ατυχήματος
- ◆ Έχει γίνει προσπάθεια επισκευής από μη εξουσιοδοτημένα κέντρα επισκευών ή από προσωπικό που δεν ανήκει στο προσωπικό της Black & Decker

Για να ισχύσει η εγγύηση, πρέπει να υποβάλετε απόδειξη αγοράς στον πωλητή ή το εξουσιοδοτημένο κέντρο επισκευών. Ενημερωθείτε για το πλησιέστερο κέντρο επισκευών της περιοχής σας, επικοινωνώντας με τα γραφεία της Black & Decker στη διεύθυνση που αναγράφεται στο εγχειρίδιο. Επίσης, για να πληροφορηθείτε για τα εξουσιοδοτημένα κέντρα επισκευών της Black & Decker, τις λεπτομέρειες και τους αρμόδιους των υπηρεσιών που παρέχονται μετά την πώληση, μπορείτε να ανατρέξετε στο Διαδίκτυο στη διεύθυνση: www.2helpU.com

Παρακαλούμε να επισκεφτείτε την ιστοσελίδα μας www.blackanddecker.eu για να καταχωρήσετε το νέο σας προϊόν Black & Decker και για να ενημερώνεστε για τα νέα προϊόντα και τις ειδικές προσφορές. Περισσότερες πληροφορίες σχετικά με τη μάρκα Black & Decker και τη σειρά προϊόντων μας θα βρείτε στη διεύθυνση www.blackanddecker.eu

Öngörülen kullanımı

Sahip olduğunuz Black & Decker Dustbuster® el süpürgesi kuru ve hafif temizlik işlerinde kullanılmak üzere tasarlanmıştır.

Güvenlik talimatları

- ◆ **Uyarı!** Aküle çalışan cihazları kullanırken, yangın, akünün akması, yaralanma ve eşyaya gelebilecek hasar risklerini azaltmak için aşağıdakileri de içeren temel güvenlik önlemlerine daima uyulmalıdır.
- ◆ Cihazı kullanmadan önce tüm kullanım kılavuzunu dikkatlice okuyun.
- ◆ Tasarlanan kullanım bu kullanım kılavuzunda tanımlanmıştır. Bu kullanım kılavuzunda belirtilen aksesuarların ya da yardımcı aletlerin kullanılmaması veya aletle tavsiye edilen dışındaki işlemlerin yapılması yaralanma riskinin doğmasına yol açabilir.
- ◆ Bu kullanım kılavuzunu gelecekteki kullanımlar için saklayın.

Cihazınızın kullanılması

- ◆ Cihazı sıvıları ve alev alabilecek malzemeleri toplamak için kullanmayın.
- ◆ Cihazı suyun yakınında kullanmayın. Cihazı suyun içine batırmayın.
- ◆ Şarj cihazını prizden çıkarmak için hiçbir zaman şarj telinden çekmeyin. Şarj cihazının telini sıcaktan, yağdan ve keskin kenarlı cisimlerden uzak tutun.

Kullanımdan sonra

- ◆ Şarjı veya şarj tabanını temizlemeden önce fişten çıkarın.
- ◆ Kullanılmadığı zaman, cihaz mutlaka kuru bir yerde saklanmalıdır. Saklanan cihazlara çocuklar erişmemelidir.

Cihazın kontrolü ve tamiri

- ◆ Kullanımdan önce cihazın veya herhangi bir parçasının arızalı olup olmadığını kontrol edin. Parçaların çatlak olup olmadığını, düğmelerinin arızalı olup olmadığını ve düzgün işlemeyi etkileyecek diğer şartların kontrolünü yapın.
- ◆ Cihazı herhangi bir parçası arızalıysa veya hatalıysa kullanmayın.

- ◆ Hasarlı veya kusurlu parçaların yetkili tamir servisleri tarafından tamir edilmesini veya değiştirilmesini sağlayın.
- ◆ Şarj kablosunu hasara karşı düzenli olarak kontrol edin. Kablo hasarlı veya kusurluysa şarjı değiştirin.
- ◆ Bu kullanım kılavuzunda belirtilen parçaların dışındaki hiç bir parçayı değiştirmeye veya sökmeye çalışmayın.

Kalıntı riskleri

Araç kullanılırken, araçla birlikte gönderilen güvenlik uyarılarında yer almayan farklı kalıntı riskleri ortaya çıkabilir. Bu riskler yanlış kullanım, uzun süreli kullanım, vb. nedenlerden kaynaklanabilir.

İlgili güvenlik düzenlemeleri ve güvenlik cihazları uygulamaları yapılsa dahi, bazı kalıntı riskleri önlenemeyebilir. Bu riskler arasında aşağıdakiler bulunur:

- ◆ Dönen/hareket eden parçalara dokunulmasından kaynaklanan yaralanmalar.
- ◆ Parça, bıçak veya aksesuar değiştirilirken ortaya çıkan yaralanmalar.
- ◆ Bir aracın uzun süre kullanılmasıyla kaynaklanan yaralanmalar. Herhangi bir aracı uzun süre kullanıyorsanız, düzenli olarak kullanıma ara vermeyi unutmayın.
- ◆ İştme kaybı.
- ◆ Aracınızı kullanırken ortaya çıkan tozu solumanızdan kaynaklanan sağlık tehlikeleri (örneğin, tahta, özellikle de meşe, kayın ve MDF ürünleri ile çalışırken).

Diğerlerinin güvenliği

- ◆ Bu cihaz, fiziksel, ruhsal veya mental yetersizlikleri olan veya deneyim ve bilgi eksikliği olan kişilerce, kendi güvenlikleri açısından yetkili bir kişi tarafından cihazın kullanılması ile ilgili yetki veya talimat verilmediği sürece kullanılması için tasarlanmamıştır.
- ◆ Çocuklar bu cihazla oynamalarını temin etmek üzere kontrol altında tutulmalıdır.

Aküler ve şarj cihazları için ek güvenlik talimatları

Aküler

- ◆ Hangi nedenle olursa olsun asla açmaya teşebbüs etmeyin.
- ◆ Aküyü suyla temas ettirmeyin.
- ◆ Aküyü sıcak ortama maruz bırakmayın.
- ◆ 40 °C 'lik ısıyı geçen yerlerde saklamayın.
- ◆ Sadece 10 °C ve 40 °C çevre sıcaklığı aralığındaki yerlerde şarj edin.
- ◆ Sadece, cihaz / alet ile sağlanan şarj aleti ile şarj edin.
- ◆ Aküleri elden çıkarırken, "Çevrenin korunması" bölümünde verilen talimatları takip edin.
- ◆ Yaralanma ve yangın riski oluşturabileceğinden, akü takımına delme veya çarpma gibi hareketlerle hasar vermeyin / deforme etmeyin.
- ◆ Hasarlı aküleri şarj etmeyin.
- ◆ Olağan üstü şartlarda aküden sızma olabilir. Akülerin üzerinde sıvı görürseniz aşağıdakileri uygulayın:
- ◆ Bir bez kullanarak dikkatlice sıvıyı temizleyin. Deri ile temas etmesini engelleyin.
- ◆ Cilt veya göz temasında aşağıdaki talimatları takip edin.

Uyarı! Akü suyu kişisel yaralanmaya veya mala zarar verebilir. Deriyle temasında derhal suyla yıkayın. Kızarıklık, acı veya kaşınma olursa derhal tıbbi müdahale yaptırın. Gözle temas olması halinde, derhal temiz su ile temizleyin ve tıbbi müdahale yaptırın.

Şarj aletleri

Sahip olduğunuz şarj cihazı sadece belli bir şebeke voltajı için tasarlanmıştır. Daima şebeke voltajının, adaptörünüzün üstünde yazılı olan voltajla aynı olmasına dikkat edin.

Uyarı! Şarj cihazınızı normal bir şebeke prizine yerleştirmeyi hiçbir zaman denemeyin.

- ◆ Sadece cihazınız / aletiniz ile size tedarik edilen Black & Decker şarj aleti ile şarj yapın. Diğer aküler

patlayarak kişisel yaralanmalara ve hasara yol açabilir.

- ◆ Asla şarj edilebilir olmayan aküleri şarj etmeye çalışmayın.
- ◆ Besleme kordonu hasarlıysa, bir tehlikeyi önlemek için kordon üretici veya yetkili bir Black & Decker Servis Merkezinde tarafından değiştirilmelidir.
- ◆ Şarj cihazını suyla temas ettirmeyin.
- ◆ Şarj cihazını açmayın.
- ◆ Şarjı kurcalamayın.
- ◆ Şarj yapılırken, cihaz/alet/akü takımı iyice havalandırılmış bir yerde yerleştirilmelidir.

Elektrik güvenliği

Sahip olduğunuz şarj cihazı sadece belli bir şebeke voltajı için tasarlanmıştır. Daima şebeke voltajının, adaptörünüzün üstünde yazılı olan voltajla aynı olmasına dikkat edin. Şarj cihazınızı normal bir şebeke prizine yerleştirmeyi hiçbir zaman denemeyin.

Şarj cihazı üzerindeki semboller



Şarj cihazınız çift izolelidir; bu nedenle toprak kablosuna ihtiyaç yoktur.



Arızaya karşı emniyetli izoleli transformator. Ana besleme elektrik olarak transformator çıkışından ayrılmıştır.



Çevre ısısı çok yükselir ise şarj otomatik olarak kapanır. Çevre ısısı düşer düşmez şarj tekrar çalışmaya başlayacaktır.



Şarj cihazı sadece kapalı yerlerde kullanım içindir.

Özellikler

1. Açma/kapama düğmesi
1. İki-hızda açma/kapama düğmesi (CV1205)
2. Serbest bırakma düğmesi
3. Toz bölmesi
4. Şarj tabanı
5. Filtre temizleme çarkı (CV9605/ CV1205)
6. Şarj göstergesi

Şek. A

- 7. Aralık ucu
- 8. Fırça ucu

Kurulum**Şarj tabanını duvara monte etme (şek. B)**

Şarj tabanı cihaz için uygun bir koruma ve şarj noktası sağlamak üzere düz bir yüzeye veya duvara monte edilebilir.

Montaj**Aksesuarların takılması (şek. A & C)**

Bu modeller şu aksesuarlarla birlikte gelir:

- ◆ Dar alanlar için aralık ucu (7).
- ◆ mobilya ve merdivenler için fırça ucu (8)

Aksesuarı takmak için şunları yapın:

- ◆ Aksesuarları cihazdan çıkartın.
- ◆ Uygun aksesuarı cihazın ön tarafına takın.

Kullanım

- ◆ İlk kullanımdan önce aküyün en az 24 saat şarj edilmesi gerekir.
- ◆ Kullanımda olmadığı zaman cihazı şarj tabanında bulundurun.

Aküyü şarj etme (şek. B)

- ◆ Cihazın kapalı olduğundan emin olun. Açma/kapama düğmesi açık konumdayken akü şarj edilmez.
- ◆ Cihazı şarj tabanına gösterildiği şekilde yerleştirin.
- ◆ Şarj cihazını prize takın. Cihazı şu şekilde çalıştırın.

Şarj göstergesi (6) yanacaktır.

- ◆ Cihazı en az 24 saat şarjda tutun.

Şarj olma sırasında şarj cihazı ısınabilir.

Bu normaldir ve bir problem belirtisi değildir. Cihaz şarja bağlı durumda süresiz olarak kalabilir. Şarj göstergesi, cihaz prize bağlı kaldığı sürece yanacaktır.

Uyarı! Aküyü, 10 °C altındaki veya 40 °C üzerindeki çevre sıcaklığında şarj etmeyin.

Cihazı açıp kapatma (şek. D)

- ◆ Cihazı çalıştırmak için açma/kapama düğmesini (1) öne doğru itin.
- ◆ Cihazı kapatmak için açma/kapama düğmesini geri çekin.

CV1205/CV9605 - Emme gücünü en iyi şekilde getirme (şek. E)

Emme gücünün en iyi şekilde olması için, kullanım sırasında filtre düzenli olarak temizlenmelidir.

- ◆ Tıkanan tozları filtreden (9) silkelemek için çarkı (5) bir kaç tur döndürün.

Temizlik ve bakım

Uyarı! Filtreleri düzenli olarak temizleyin.

Toz bölmesi ve filtrelerin temizlenmesi (şek. F - J)

Filtreler tekrar kullanılabilir ve düzenli olarak temizlenmelidir.

- ◆ Serbest bırakma düğmesine (2) bastırın ve toz bölmesini (3) çıkartın (şek. F).
- ◆ Toz bölmesini boşaltın (şek. G)
- ◆ Saat yönüne doğru çevirerek filtreleri (9 & 10) sökün (şek. H).
- ◆ Filtrelerin civarındaki tozları fırçalayarak temizleyin.
- ◆ Filtreleri ılık sabunlu suyla yıkayın (şek. I). Gerekirse bölme de yıkanabilir. Cihazı suya sokmayın (şek. J).
- ◆ Toz bölmesinin ve filtrelerin kuru olduğundan emin olun.
- ◆ Filtreleri (9 & 10) cihaza takın. Bunu filtreler yerlerine oturana kadar saat yönünün tersine doğru çevirerek yapabilirsiniz.
- ◆ Toz bölmesini cihaza yeniden takın. Toz bölmesinin yerine oturduğundan emin olun.

Uyarı! Cihazı filtreler olmaksızın asla kullanmayın. En iyi toz toplama temiz filtreler ve boş bir toz bölmesiyle mümkündür.

CV1205/CV7205/CV9605 - Boşaltma filtresini temizleme (şek. K)

- ◆ Kapağı (11) açın.
- ◆ Filtreyi (12) boşluktan çekin.
- ◆ Filtreleri sıcak, sabunlu suyla yıkayın.
- ◆ Filtrenin kuru olduğundan emin olun.
- ◆ Filtreyi (12) yeniden takın.
- ◆ Kapağı kapatın.

Filtrelerin değiştirilmesi

Filtrelerin 6-9 ayda bir ve yıpranma veya hasar durumunda değiştirilmesi gerekir. Değiştirme filtreleriniz Black & Decker satıcınızdan temin edilebilir (katalog numarası: VF45 CV9605H için; katalog numarası: VF40 diğer bütün modeller için).

- ◆ Yukarıda anlatıldığı şekilde eski filtreleri çıkartın.
- ◆ Yukarıda anlatıldığı şekilde yeni filtreleri takın.

Çevreyi koruma



Aynı biriktirme. Bu ürün normal ev atıkları ile çöpe atılmamalıdır.

Black & Decker ürününüzü şayet bir gün değiştirilmesi gerekiyor ise, veya bundan böyle sizin için kullanılmayacak ise bu aleti normal ev atıkları ile çöpe atmayın. Bu ürünü ayrı bir biriktirme için ayırın.



Kullanılmış ürünlerin ayrıca biriktirilmesi ve paketlenmesi malzemelerin yeniden dönüşümüne ve yeniden kullanımına izin vermektedir. Yeniden dönüşümü olan malzemelerin yeniden kullanımı, çevre kirliliğini önlenmesine yardım etmekte ve ham maddeye olan talebi indirmektedir.

Yerel yönetmelikler, yeni bir ürün satın aldığınız zaman, belediye atık bölgelerinde veya perakendeciler tarafından evlerden elektrikli aletlerin ayrı olarak biriktirilmesini sağlayabilir.

Black & Decker ürünleri çalışma ömürlerini tamamladıklarında, Black & Decker bunların geri kazandırılması ve biriktirilmesi için kolaylıklar sağlamaktadır. Bu hizmetten yararlanmak için elinizdeki ürünü, bizim yerimize ürünleri toplayan yetkili bir tamir servisine götürün.

Bu kılavuzda belirtilen adresteki yerel Black & Decker ofisine başvurarak size en yakın yetkili tamir servisinin yerini öğrenebilirsiniz. Alternatif olarak

şağıdaki Internet adresinden, Black & Decker yetkili tamir servislerinin listesini ve satış sonrası hizmet veren yetkililerin tam detaylarını öğrenebilirsiniz. www.2helpU.com

Akü (şek. L - N)



Black & Decker aküleri bir çok kere şarj edilebilir. Kullanım ömürleri bittiği zaman, çevremizi korumak için bunları dikkatlice yok edin.

Ürünü kendiniz imha etmek istiyorsanız, akülerin aşağıda açıklanan şekilde çıkartılması ve yerel kurallara uygun bir şekilde imha edilmesi gerekir.

- ◆ Tercihen motor durana kadar cihazı çalıştırarak aküyü boşaltın.

Akü, cihazın en arkasının alt kısmındadır.

- ◆ Aksesuarları cihazdan çıkartın.
- ◆ Vidaları (13) sökün.
- ◆ Aksesuar tutucuyu tutarak, kayışı (14) açın.
- ◆ Aksesuar tutucuyu (15) çıkartın.
- ◆ Aküyü yerinde tutarak vidaları (16) sökün.
- ◆ Şekilde görüldüğü üzere aküyü (17) arkaya doğru kaydırın.
- ◆ Aküyü çıkartın.
- ◆ Aküye uygun bir paketlenme yaparak uçların kısa devre yapmadığından emin olun.
- ◆ Aküyü servis acentenize veya yerel yeniden dönüşüm istasyonuna götürün.

Uyarı! Akü bir kere çıkarıldıktan sonra yeniden takılamaz.

Teknik veriler

	CV1205 H2	CV7205 H2 CV7205B H2
Voltaj	V 12	7,2
Ağırlık	kg 1,4	1,1

	CV9605 H2 CV9605G H2 CV9605H H2 CV9605P H2	V4805 H2 V4805Y H2 V4806 H2 V4807 H2
Voltaj	V 9,6	4,8
Ağırlık	kg 1,3	0,9

V6005 H2

Voltaj	V 6,0
Ağırlık	kg 1,0

Şarj****090020D **100015D**

Model	V48	V60
Giriş voltajı	V_{AC} 230	230
Çıkış voltajı	V_{AC} 9	10
Amperaj	mA 200	150
Ortalama şarj süresi	h 24	24
Ağırlık	kg 0,3	0,3

****110020D **140020D**

Model	CV72	CV96
Giriş voltajı	V_{AC} 230	230
Çıkış voltajı	V_{AC} 11	14
Amperaj	mA 200	200
Ortalama şarj süresi	h 24	24
Ağırlık	kg 0,3	0,3

CHA002014*

Model	CV12
Giriş voltajı	V_{AC} 100-240
Çıkış voltajı	V_{DC} 7,2-24
Amperaj	mA 85
Ortalama şarj süresi	h 24
Ağırlık	kg 0,3

Ses basıncı seviyesi EN 60704-1'e göre belirlenmiştir:

Ses basıncı (L_{pA}) < 70 dB(A), belirsizlik (K) 3 dB(A)

Garanti

Black & Decker, ürünün kalitesinden emindir ve ürün için üstün bir garanti sunar. Ayrıca bu garanti belgesi, hiçbir şekilde kanuni haklarınızın olmasını gerektirmez.

Eğer bir Black & Decker ürünü, hatalı malzeme ve işçilik nedeniyle bozulursa, satın alma tarihinden 24 ay içinde müşteriye mümkün olabilecek en az sorunu yaşatabilmek için Black & Decker hatalı kısımları değiştirmeyi, belirgin bir şekilde yıpranmış veya hasar görmüş kısımları onarmayı veya değiştirmeyi kabul eder; ancak bu belirtilenler şu durumlar dışında geçerlidir:

- ◆ Ürün ticari veya profesyonel amaçlarla kullanılmışsa veya kiraya verilmişse;
- ◆ Ürün yanlış veya amaç dışı kullanılmışsa;
- ◆ Ürün yabancı nesnelere, maddelere veya kaza sırasında zarar görmüşse;
- ◆ Yetkili tamir servisleri veya Black & Decker servis ekibinden başkası tarafından tamir yapılmaya kalkılmışsa.

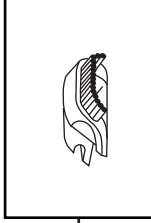
Garanti talebinde bulunmak için, satıcıya veya yetkili tamir servisine satın aldığınıza dair ispat sunmalısınız.

Bu kılavuzda belirtilen adresteki yerel Black & Decker ofisine başvurarak size en yakın yetkili tamir servisinin yerini öğrenebilirsiniz. Ya da, İnternet'te Black & Decker yetkili tamir servislerinin listesini ve satış sonrası hizmet veren yetkililerin tam detaylarını öğrenebilirsiniz. Bu site:

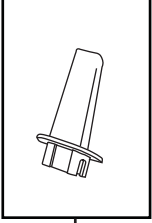
www.2helpU.com adresindedir.

Yeni ürünler ve özel imkanlar hakkında sürekli güncel bilgi almak için lütfen **www.blackanddecker.com** adresinde bulunan web sitemize kayıt olun. Black & Decker markası ve ürün yelpazemiz hakkında daha fazla bilgi **www.blackanddecker.com** adresinde bulunmaktadır.

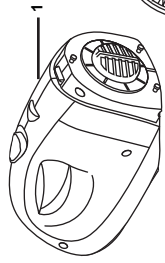
Partial support - Only parts shown available
Nur die aufgeführten teile sind lieferbar
Reparation partielle - Seules les pieces indiquees sont disponibles
Supporto parziale - Sono disponibili soltanto le parti evidenziate
Solo estan disponibles las piezas listadas
So se encontram disponíveis as peças listadas
Gedeeltelijke ondersteuning - alleen de getoonde onderdelen
zijn beschikbaar



20



21



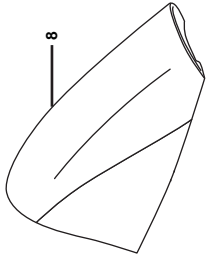
1



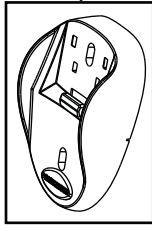
6



7

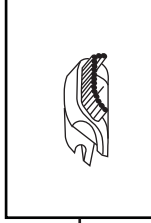


8

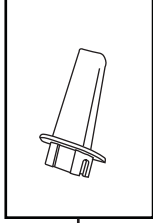


10

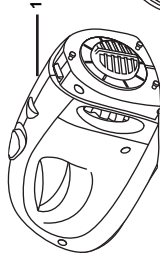
Partial support - Only parts shown available
Nur die aufgeführten teile sind lieferbar
Reparation partielle - Seules les pieces indiquees sont disponibles
Supporto parziale - Sono disponibili soltanto le parti evidenziate
Solo estan disponibles las piezas listadas
So se encontram disponibles as pecas listadas
Gedeeltelijke ondersteuning - alleen de getoonde onderdelen zijn beschikbaar



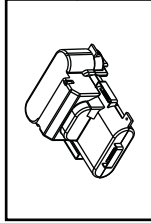
20



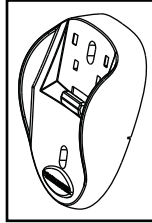
21



1



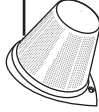
2



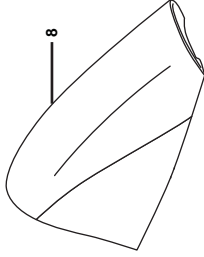
10



6



7



8

ENGLISH

Do not forget to register your product!

www.blackanddecker.co.uk/productregistration

Register your product online at **www.blackanddecker.co.uk/productregistration** or send your name, surname and product code to Black & Decker in your country.

DEUTSCH

Vergessen Sie nicht, Ihr Produkt registrieren zu lassen!

www.blackanddecker.de/productregistration

Lassen Sie Ihr Produkt unter **www.blackanddecker.de/productregistration** online registrieren oder schicken Sie Ihren Nachnamen, Vornamen und den Produktcode an Black & Decker in Ihrem Land.

FRANÇAIS

N'oubliez pas d'enregistrer votre produit !

www.blackanddecker.fr/productregistration

Enregistrez votre produit en ligne sur **www.blackanddecker.fr/productregistration** ou envoyez vos nom, prénom et code produit à Black & Decker dans votre pays.

ITALIANO

Non dimenticate di registrare il prodotto!

www.blackanddecker.it/productregistration

Registrate il prodotto online su **www.blackanddecker.it/productregistration** o inviate nome, cognome e codice del prodotto al centro Black & Decker del vostro paese.

NEDERLANDS

Vergeet niet uw product te registreren!

www.blackanddecker.nl/productregistration

U kunt uw product online registreren op **www.blackanddecker.nl/productregistration** of u kunt uw voornaam, achternaam en productcode opsturen naar Black & Decker in uw land.

ESPAÑOL

¡No olvide registrar su producto!

www.blackanddecker.es/productregistration

Registre su producto on-line en **www.blackanddecker.es/productregistration** o envíe su nombre, apellidos y código de producto a Black & Decker en su país.

PORTUGUÊS

Não se esqueça de registar o seu produto!

www.blackanddecker.pt/productregistration

Registe o seu produto online em **www.blackanddecker.pt/productregistration** ou envie o seu nome, apelido e código do produto para a Black & Decker no seu país.

SVENSKA

Glöm inte att registrera produkten!

www.blackanddecker.se/productregistration

Registrera produkten online på **www.blackanddecker.se/productregistration** eller skicka namn och produktkod till Black & Decker i landet du bor i.

NORSK

Ikke glem å registrere produktet ditt!

www.blackanddecker.no/productregistration

Registrer produktet ditt online på **www.blackanddecker.no/productregistration**, eller send ditt navn, etternavn og produktkode til Black & Decker i ditt eget land.

DANSK

Glem ikke at registrere dit produkt!

www.blackanddecker.dk/productregistration

Registrer dit produkt på internettet på: **www.blackanddecker.dk/productregistration** eller send dit navn, efternavn og produktkode til Black & Decker i dit eget land.

SUOMI

Muistathan rekisteröidä tuotteesi!

www.blackanddecker.fi/productregistration

Rekisteröi tuotteesi verkossa osoitteessa

www.blackanddecker.fi/productregistration tai lähetä etunimesi, sukunimesi ja tuotekoodi oman maasi Black & Decker -edustajalle.

ΕΛΛΗΝΙΚΑ

Μην ξεχάσετε να καταχωρίσετε το προϊόν σας!

www.blackanddecker.gr/productregistration

Καταχωρίστε το προϊόν σας σε σύνδεση στη σελίδα

www.blackanddecker.gr/productregistration ή στείλτε το όνομα, επίθετο σας και τον κωδικό προιονωτός στη Black & Decker στη χώρα σας.

TÜRKÇE

Ürününüzü kaydetmeyi unutmayın!

www.blackanddecker.co.uk/productregistration

Ürününüzü online olarak **www.blackanddecker.co.uk/productregistration** sitesine kaydedin veya adınızı, soyadınızı ve ürününüzün kodunu ülkenizdeki Black & Decker'a gönderin.

België/Belgique	Black & Decker (Belgium) N.V. Nieuwlandlaan 7 I.Z. Aarschot B156 3200 Aarschot	Tel. 016 68 91 00 Fax 016 68 91 11
Danmark	Black & Decker Sluseholmen 2-4, 2450 København SV Internet: www.blackanddecker.dk	Tel. 70 20 15 10 Fax 70 22 49 10
Deutschland	Black & Decker GmbH Black & Decker Str. 40, D - 65510 Idstein	Tel. 06126/21 - 0 Fax 06126/21 29 80
Ελλάδα	Black & Decker (Ελλάς) A.E Στράβωνος 7 & Λεωφ. Βουλιαγμένης 159 166 74 Γλυφάδα - Αθήνα	Τηλ. 210 8981616 Φαξ 210 8983285 www.blackanddecker.eu
España	Black & Decker Ibérica, S.C.A. Parc de Negocis "Mas Blau" Edificio Muntadas, c/Bergadá, 1, Of. A6 08820 El Prat de Llobregat (Barcelona)	Tel. 934 797 400 Fax 934 797 419
France	Black & Decker (France) S.A.S. 5 allée des Hêtres B.P. 30084 69579 Limonest Cédex	Tel. 04 72 20 39 20 Fax 04 72 20 39 00
Helvetia	ROFO AG Gewerbezone Seeblick 3213 Kleinbödingen	Tel. 026-6749391 Fax 026-6749394
Italia	Black & Decker Italia SpA Viale Elvezia 2 20052 Monza (MI)	Tel. 039-23871 Fax 039-2387592/2387594 Numero verde 800-213935
Nederland	Black & Decker Benelux Joulehof 12, 4622 RG Bergen op Zoom	Tel. 0164 - 283000 Fax 0164 - 283100
Norge	Black & Decker (Norge) A/S Postboks 4814, Nydalen, 0422 Oslo Internet: www.blackanddecker.no	Tif. 22 90 99 00 Fax 22 90 99 01
Österreich	Black & Decker Vertriebsges.m.b.H Oberlaaerstraße 246, A1100 Wien	Tel. 01 66116-0 Fax 01 66116-14
Portugal	Black & Decker Rua Egas Moniz 173 S. João do Estoril 2766-651 Estoril	Tel. 214667500 Fax 214667580
Suomi	Black & Decker Oy Keilasatama 3, 02150 Espoo Black & Decker Oy, Kägelhamnen 3, 02150 Esbo	Puh. 010 400 430 Faksi (09) 2510 7100 Tel. 010 400 430 Fax (09) 2510 7100
Sverige	Black & Decker AB Box 94, 431 22 Mölndal	Tel: 031-68 60 60 Fax 031-68 60 80
Türkiye	KALE Hırdavat ve Makina A.Ş. Deftardar Mah. Savaklar Cad. No:15 Edirnekapı / Eyüp / İstanbul 34050	Tel: 0212 533 52 55 Fax 0212 533 10 05
United Kingdom	Black & Decker 210 Bath Road Slough, Berkshire SL1 3YD	Tel. 01753 511234 Fax 01753 551155 Helpline 01753 574277
Middle East & Africa	Black & Decker (Overseas) A.G. PB 5420, Dubai, United Arab Emirates	Tel. +971 4 2826464 Fax +971 4 2826466