

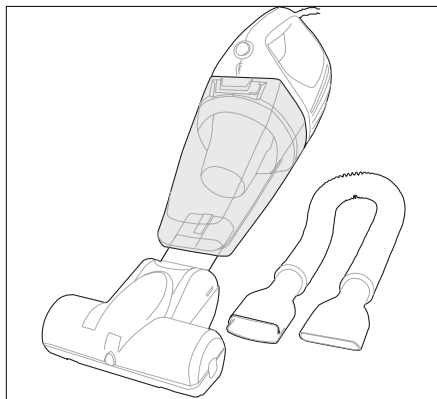
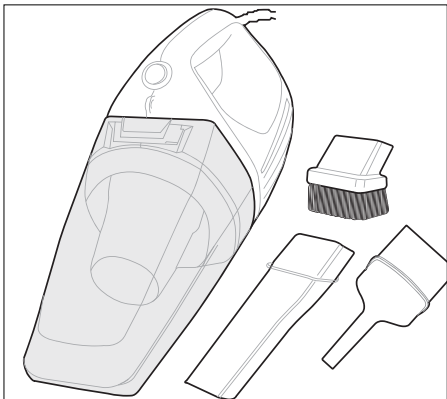
# BLACK & DECKER®

## Corded Hand Vac / Blower

### INSTRUCTION MANUAL

Catalog Number HV9010

Catalog Number HV9010P



**Thank you for choosing Black & Decker!**  
**Go to [www.BlackandDecker.com/NewOwner](http://www.BlackandDecker.com/NewOwner)**  
**to register your new product.**

**PLEASE READ BEFORE RETURNING THIS PRODUCT FOR ANY REASON:**

If you have a question or experience a problem with your Black & Decker purchase, go to [HTTP://WWW.BLACKANDECKER.COM/INSTANTANSWERS](http://www.blackanddecker.com/instantanswers) for instant answers 24 hours a day.

If you can't find the answer or do not have access to the internet, call 1-800-544-6986 from 8 a.m. to 5 p.m. EST Mon. -- Fri. to speak with an agent. Please have the catalog number available when you call.

**To purchase a replacement filter (HVF91), call 1-888-678-7278.**

**SAVE THIS MANUAL FOR FUTURE REFERENCE.**

**VEA EL ESPAÑOL EN LA CONTRAPORTADA.**

INSTRUCTIVO DE OPERACIÓN, CENTROS DE SERVICIO Y PÓLIZA DE GARANTÍA.

**ADVERTENCIA: LÉASE ESTE INSTRUCTIVO ANTES DE USAR EL PRODUCTO.**

Cat. No. HV9010 / HV9010P

Form No. 90554210

AUG. 2009

Copyright © 2009 Black & Decker

Printed in China

### IMPORTANT SAFEGUARDS

When using electrical appliances, basic safety precautions should always be followed, including the following:

**PLEASE READ AND UNDERSTAND ALL INSTRUCTIONS CAREFULLY BEFORE USING THE UNIT.**

#### SAFETY GUIDELINES - DEFINITIONS

It is important for you to read and understand this manual.

The information it contains relates to protecting YOUR SAFETY and PREVENTING PROBLEMS. The symbols below are used to help you recognize this information.

**⚠ DANGER:** Indicates an imminently hazardous situation which, if not avoided, will result in death or serious injury.

**⚠ WARNING:** Indicates a potentially hazardous situation which, if not avoided, could result in death or serious injury.

**⚠ CAUTION:** Indicates a potentially hazardous situation which, if not avoided, may result in minor or moderate injury.

**CAUTION:** Used without the safety alert symbol indicates potentially hazardous situation which, if not avoided, may result in property damage.

**⚠ WARNING:** Injury to pets. Do not use directly on animals.

**⚠ WARNING:** To reduce the risk of fire, electrical shock or injury:

- Do not leave appliance when plugged in. Unplug from outlet when not in use and before servicing.
- Use indoors only. Do not use on wet surfaces.
- Do not store outdoors or on wet surfaces. To prevent tripping accidents, store vacuum after each use.
- Close supervision is necessary when any appliance is used near children. Do not allow to be used as a toy.
- Use only as described in this manual. Use only manufacturer's recommended attachments.
- Do not operate any appliance with a damaged cord or plug or after the appliance malfunctions, is left outdoors, dropped into water or is damaged in any manner. Return the appliance to any authorized service facility.
- Do not pull or carry by cord, do not use cord as a handle, do not close a door on cord or pull cord around sharp edges or corners, do not run appliance over cord. Keep cord away from heated surfaces.
- Do not unplug by pulling on cord. To unplug, grasp the plug, not the cord.
- Do not handle plug or appliance with wet hands.
- Do not put any object into unit openings. Do not use with any openings blocked; keep free of dust, lint, hair, and anything that may reduce air flow.
- Keep hair, loose clothing, fingers, and all parts of body away from openings and moving parts.
- Keep end of hose, wands and other openings away from your face and body.
- Use extra caution when cleaning on stairs.
- Keep work areas well lit.
- Do not vacuum any electrical appliances while they are plugged in.
- Do not use this product to pick up sharp objects, metallic debris or large, solid objects (i.e., rocks or pebbles), as product damage may result.
- Do not use to pick up any liquids, toxic substances, flammable or combustible liquids such as gasoline or use in areas where they may be present.
- Do not place or drop the product into water or other liquids, if the product falls into water, immediately unplug it from the electrical outlet. Do not touch or reach into the water.
- Do not use this product while standing in water or on wet surfaces.
- Do not vacuum burning or smoking materials, such as lit cigarette butts, matches or hot ashes.
- Do not use on or near hot surfaces. Keep cord away from heated surfaces.
- Do not use without dirt bowl and filters in place.
- Turn off the switch before unplugging.

- Use only extension cords UL-rated or cUL at 15 amperes. Extension cords rated for less amperage may overheat. Care should be taken to arrange the cord so that the cord cannot be pulled or tripped over.
- Using improper voltage may result in damage to the motor and possible injury to the user. Correct voltage is listed on the rating label.
- Always wear the appropriate shoes and clothing while operating this product.
- Look on your hand vacuum and follow all label and marking instructions.

#### WARNINGS FOR BLOWER / INFLATOR OPERATION:

- The blower operation of this vacuum can result in foreign objects being blown into eyes, which can result in eye damage. **Always wear eye protection (not provided) when operating as blower.**
- Do not permanently cover openings of blower / inflator accessories.
- Do not leave appliance unattended when inflating any items.
- Take care when using blower accessory, some surfaces may become warm.

**⚠ WARNING:** Do not point tool exhaust at self, bystanders or animals.

**⚠ WARNING:** Always unplug the product from the electrical outlet before assembling, opening or emptying the container, or connecting/disconnecting the attachments.

**⚠ CAUTION:** Keep the suction intake opening free from obstruction at all times; otherwise the motor will overheat and product damage may result.

**⚠ CAUTION:** The hand vacuum is a very powerful unit. Before plugging cord into outlet make sure the switch is in the OFF position. Make sure to hold firmly when starting and in use.

**⚠ CAUTION:** NEVER EXCEED RECOMMENDED PRESSURE. The item being inflated may burst and cause injury. Soft inflatable material items will not have existing pressure rating. Be careful not to over-inflate.

**⚠ CAUTION:** Wear appropriate personal hearing protection during use. Under some conditions and duration of use, noise from this product may contribute to hearing loss.

**IMPORTANT:** Clean filters improves vacuum performance. Make sure all filters are completely clean before inserting back in the hand vacuum.

This appliance is intended for household use only and not for commercial or industrial use.

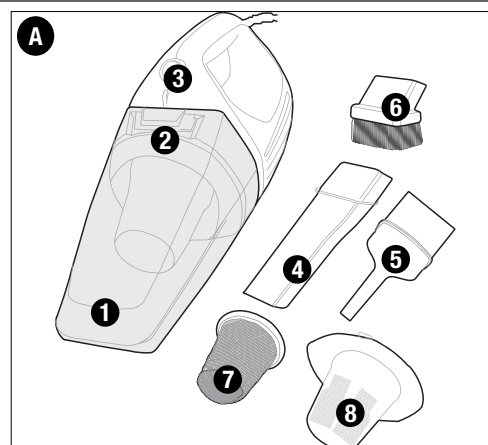
**⚠ WARNING:** Some household dust contains chemicals known to the State of California to cause cancer, birth defects or other reproductive harm such as asbestos and lead in lead based paint.

**⚠ WARNING:** This product contains chemicals, including lead, known to the State of California to cause cancer, and birth defects or other reproductive harm. Wash hands after handling.

### SAVE THESE INSTRUCTIONS

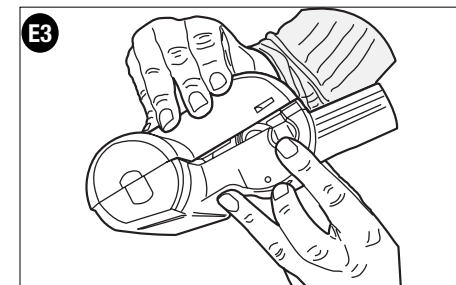
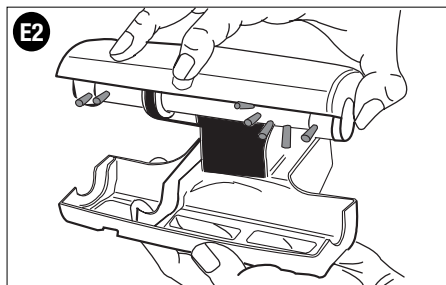
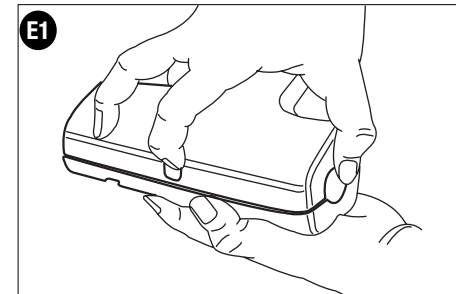
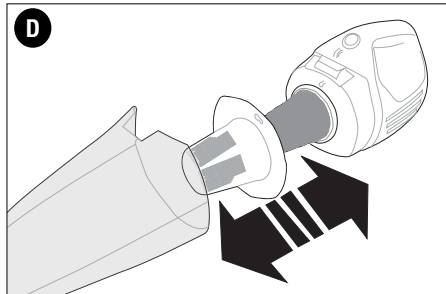
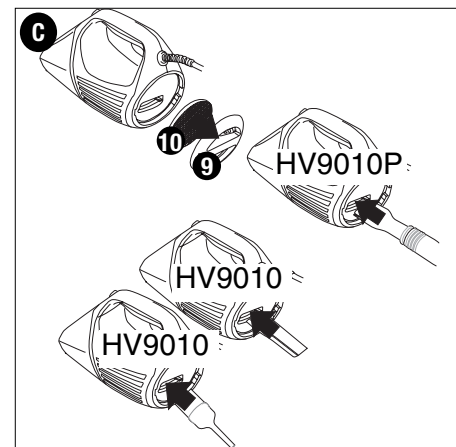
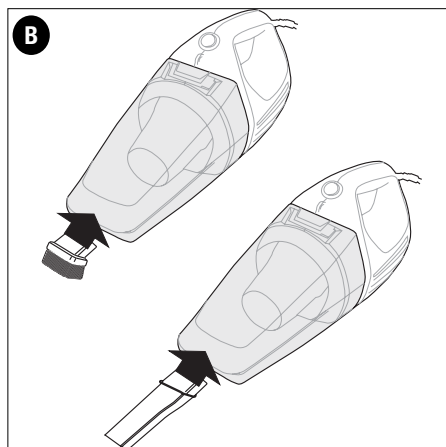
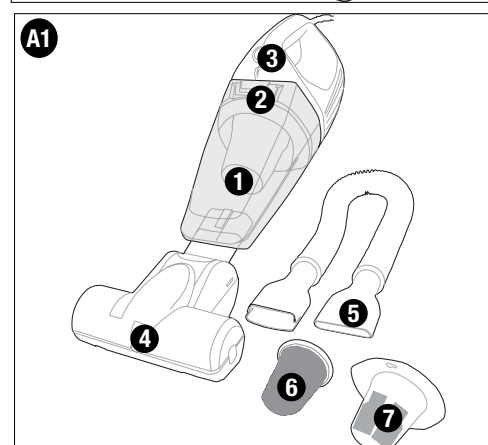
#### Features and accessories - HV9010 (fig. A)

1. Dust bowl
2. Dust bowl release button
3. On/off switch
4. Crevice / blower tool
5. Inflator tool
6. Brush tool
7. Cloth filter (HVF91)
8. Pre filter



#### Features and accessories - HV9010P (fig. A1)

1. Dust bowl
2. Dust bowl release button
3. On/off switch
4. Turbo brush
5. Extension hose
6. Cloth filter (HVF91)
7. Pre filter



## POLARIZATION PLUGS

To reduce the risk of electric shock, this appliance has a polarized plug (one blade is wider than the other). This plug will fit in a polarized outlet only one way. If the plug does not fit fully in the outlet, reverse the plug. If it still does not fit, contact a qualified electrician to install the proper outlet. Do not change the plug in any way.

## Assembly

**⚠ WARNING:** Make sure that the appliance is switched off and unplugged.

### Attaching the accessories for vacuuming (HV9010) (fig. B)

The accessories provided can be used in various combinations, depending on the task:

- General vacuuming / dusting
- Vacuuming in confined spaces
- Vacuuming upholstery or in corners

To attach, insert the appropriate accessory into the front of the appliance as shown.

### Attaching the crevice and inflator tool for blowing and inflating (HV9010) (fig. C)

**⚠ WARNING:** When using the appliance for blowing / inflating purposes, wear eye protection. Keep the air intake free from obstructions to prevent the motor from overheating. Do not point the air outlet at yourself, bystanders or animals.

To attach the crevice or inflator tool:

- Turn the exhaust filter cover (8) counterclockwise to remove it from the appliance.
- Remove the filter (9) from the appliance.
- Insert the tool into the opening. Make sure that it fits snug against the rear of the appliance.

### Attaching the flexible hose for blowing (HV9010P) (fig. C)

**⚠ WARNING:** When using the appliance for blowing purposes, wear eye protection. Keep the air intake free from obstructions to prevent the motor from overheating. Do not point the air outlet at yourself, bystanders or animals.

To attach the flexible hose:

- Turn the exhaust filter cover (8) counterclockwise to remove it from the appliance.
- Remove the filter (9) from the appliance.
- Insert the flexible hose into the opening. Make sure that it fits snug against the rear of the appliance.

### Turbo brush accessory (HV9010P ONLY)

**⚠ WARNING:** Injury to pets. Do not use directly on animals.

**⚠ CAUTION:** Keep hair, loose clothing and all parts of body away from rotating brush. Your Hand Vac is supplied with an air driven Turbo Brush.

In order to maximize air suction when using the air driven turbo brush:

- Empty the dirt bowl frequently.
- Keep the filter clean (see "Cleaning the dust bowl and filter").
- Keep the turbo brush free of hair and dirt (see "Cleaning the turbo brush").

To attach turbo brush, insert brush adapter directly into the nozzle as shown in figure A1 or attach turbo brush to extension hose then to nozzle.

**Note:** Make sure accessory is securely attached before use.

## Operation

**⚠ WARNING:** Before connecting to the power supply, make sure that the appliance is switched off.

### Switching on and off

- To switch the tool on, set the on/off switch (3) to position I.
- To switch the tool off, set the on/off switch (3) to position O.

**⚠ WARNING:** Make sure the accessories are securely attached before switching on. Keep a firm grip on the appliance when switching on and during use.

### Motor thermal safeguard

The motor of the appliance contains a thermal safeguard. This device automatically switches the appliance off in case of overheating. If this occurs, proceed as follows:

- Switch the appliance off and remove the plug from the wall socket.
- Allow the unit to cool. When the unit has cooled down, check and clean the filters.
- Re-insert the plug into the wall socket and switch the appliance on.

### Cleaning the dust bowl and filter (fig. D)

**⚠ WARNING:** Make sure that the appliance is switched off and unplugged. When the dust bowl is full or the filters are clogged, empty the bowl and clean the filters. The filters are re-usable and should be cleaned regularly.

- Press the dust bowl release button (2) and remove the dust bowl (1).
- To remove the filter twist the filter holder in a clockwise direction. Remove the inner filter.
- Brush any loose dust off the filter.
- Remove any dust from the dust bowl.
- Wash the filters in warm, soapy water. The bowl and the filter holder can also be washed if necessary. Do not immerse the appliance in water.
- Make sure the dust bowl, filter holder and filter are completely dry.
- Refit the filter holder and inner filter.
- Refit the dust bowl onto the appliance, making sure the dust bowl clicks into place.

### To clean the exhaust filter, proceed as follows

- Turn the exhaust filter cover (9) counterclockwise to remove it from the appliance.
- Remove the filter (10) from the appliance.
- Wash and dry the filter as described above.
- Refit the filter and replace the exhaust filter cover. Turn the cover clockwise to lock in position.

**⚠ CAUTION:** Never use the appliance without the filters. Optimum dust collection will only be achieved with clean filters and an empty dust bowl. If dust begins to fall back out of the appliance after switching it off, this indicates that the dust bowl is full and must be emptied.

### Cleaning the turbo brush

First remove the turbo brush from the unit. Press the button on the front of the brush and lift the top off. There may be some hair, dust, lint, etc. on the turbine wheel and or brush. Remove as much of this as possible. Once cleaned replace the top and snap back in place (see figures E1, E2 and E3).

### Replacing the filters

The filters should be replaced every 6 to 9 months and whenever worn or damaged. Replacement filters are available from your Black & Decker dealer (cat. no. HVF91).

- Remove the old filters as described above.
- Fit the new filters as described above.

### Storage

- Wrap the power supply cord around the appliance.
- Store the appliance and the attachments in a dry location out of the reach of children.

### Cleaning/Maintenance

**⚠ WARNING:** Before cleaning and maintenance, switch the appliance off and unplug it. From time to time wipe the appliance with a damp cloth. Do not use any abrasive or solvent-based cleaner. Never let any liquid get inside the tool; never immerse any part of the tool into a liquid.

**IMPORTANT:** To assure product SAFETY and RELIABILITY, repairs, maintenance and adjustment should be performed by authorized service centers or other qualified service organizations, always using identical replacement parts.

## TROUBLESHOOTING

### Problem

- Unit will not start.

### Possible Cause

- Cord not plugged in.
- Circuit fuse is blown.
- Circuit breaker is tripped.
- Cord or switch is damaged.
- Filter is clogged.

### Possible Solution

- Plug tool into a working outlet.
- Replace circuit fuse. (If the product repeatedly causes the circuit fuse to blow, discontinue use immediately and have it serviced at a Black & Decker service center or authorized servicer.)
- Reset circuit breaker. (If the product repeatedly causes the circuit breaker to trip, discontinue use immediately and have it serviced at a Black & Decker service center or authorized servicer.)
- Have cord or switch replaced at Black & Decker Service Center or Authorized Servicer.
- Clean out bowl and filters. Press the dust bowl release button and remove the dust bowl. To remove the filter, twist the filter holder in a clockwise direction. Remove the inner filter and brush off any loose dust. Remove any dust from the dust bowl. Wash the filters in warm, soapy water. Make sure filters are dry before placing back in the vacuum.

For assistance with your product, visit our website [www.blackanddecker.com](http://www.blackanddecker.com) for the location of the service center nearest you or call the BLACK & DECKER help line at **1-800-544-6986**.

### Accessories

Recommended accessories for use with your tool are available from your local dealer or authorized service center. If you need assistance regarding accessories, please call: **1-800-544-6986**

**⚠ WARNING:** The use of any accessory not recommended for use with this tool could be hazardous.

### Service Information

Black & Decker offers a full network of company-owned and authorized service locations throughout North America. All Black & Decker Service Centers are staffed with trained personnel to provide customers with efficient and reliable power tool service. Whether you need technical advice, repair, or genuine factory replacement parts, contact the Black & Decker location nearest you. To find your local service location, refer to the yellow page directory under "Tools—Electric" or call: **1-800-544-6986**.

### Full Two-Year Home Use Warranty

Black & Decker (U.S.) Inc. warrants this product for two years against any defects in material or workmanship. The defective product will be replaced or repaired at no charge in either of two ways.

The first, which will result in exchanges only, is to return the product to the retailer from whom it was purchased (provided that the store is a participating retailer). Returns should be made within the time period of the retailer's policy for exchanges (usually 30 to 90 days after the sale). Proof of purchase may be required. Please check with the retailer for their specific return policy regarding returns that are beyond the time set for exchanges.

The second option is to take or send the product (prepaid) to a Black & Decker owned or authorized Service Center for repair or replacement at our option. Proof of purchase may be required. Black & Decker owned and authorized Service Centers are listed under "Tools—Electric" in the yellow pages of the phone directory.

This warranty does not apply to accessories. This warranty gives you specific legal rights and you may have other rights which vary from state to state. Should you have any questions, contact the manager of your nearest Black & Decker Service Center. This product is not intended for commercial use..

**Free warning label replacement:** If your warning labels become illegible or are missing, call **1-800-544-6986** for a free replacement.

**LATIN AMERICA:** This warranty does not apply to products sold in Latin America. For products sold in Latin America, check country specific warranty information contained in the packaging, call the local company or see the website for warranty information.

Imported by  
Black & Decker (U.S.)  
Inc.,  
701 E. Joppa Rd.  
Towson, MD 21286  
U.S.A.



See 'Tools-Electric'  
– Yellow Pages –  
for Service & Sales





# ASPIRATEUR-SOUFFLEUR PORTATIF AVEC CORDON D'ALIMENTATION

## MODE D'EMPLOI

N° de catalogue

HV9010, HV9010P

### À LIRE AVANT DE RETOURNER CE PRODUIT POUR QUELQUE RAISON QUE CE SOIT :

Si des questions ou des problèmes surgissent après l'achat d'un produit Black & Decker,  
consulter le site Web

[HTTP://WWW.BLACKANDDECKER.COM/INSTANTANSWERS](http://www.blackanddecker.com/instantanswers)

pour obtenir des réponses instantanément 24 heures par jour.

Si la réponse est introuvable ou en l'absence d'accès à Internet, composer le  
1-800-544-6986 de 8 h à 17 h HNE, du lundi au vendredi, pour parler avec un agent.

Prière d'avoir le numéro de catalogue sous la main lors de l'appel.

**Pour l'achat d'un filtre de rechange  
(HVF91), composer le 1-888-678-7278.**

**CONSERVER CE MANUEL POUR UN USAGE ULTÉRIEUR.**

### IMPORTANTES MESURES DE SECURITE

Lorsqu'on utilise des outils électriques, il faut toujours respecter certaines mesures de sécurité, notamment suivantes.

**LIRE ET COMPRENDRE TOUTES LES DIRECTIVES AVANT D'UTILISER L'APPAREIL.  
LIGNES DIRECTRICES EN MATIÈRE DE SÉCURITÉ - DÉFINITIONS**

Il est important que vous lisiez et compreniez ce mode d'emploi. Les informations qu'il contient concernent VOTRE SÉCURITÉ et visent à ÉVITER TOUT PROBLÈME. Les symboles ci-dessous servent à vous aider à reconnaître cette information.

**⚠ DANGER :** Indique une situation dangereuse imminente qui, si elle n'est pas évitée, causera la mort ou des graves blessures.

**⚠ AVERTISSEMENT :** Indique une situation potentiellement dangereuse qui, si elle n'est pas évitée, pourrait causer la mort ou de graves blessures.

**⚠ MISE EN GARDE :** Indique une situation potentiellement dangereuse qui, si elle n'est pas évitée, pourrait causer des blessures mineures ou modérées.

**MISE EN GARDE :** Utilisé sans le symbole d'alerte à la sécurité, indique une situation potentiellement dangereuse qui, si elle n'est pas évitée, peut résulter en des dommages à la propriété.

**⚠ AVERTISSEMENT :** risque de blesser les animaux domestiques. Ne pas utiliser directement sur les animaux.

**⚠ AVERTISSEMENT :** Se conformer aux mesures suivantes afin d'éviter les risques d'incendie, de secousses électriques ou de blessures.

- Ne pas laisser l'appareil branché sans surveillance. Le débrancher lorsqu'on ne s'en sert pas ou qu'on doit le réparer.
- Utiliser à l'intérieur seulement. Ne pas s'en servir sur des surfaces mouillées.
- Ne pas utiliser ni ranger l'appareil à l'extérieur ou sur des surfaces mouillées. Afin de ne pas trébucher, ranger l'aspirateur après chaque utilisation.
- Surveiller avec vigilance lorsque des enfants se trouvent à proximité de tout appareil. Il ne s'agit pas d'un jouet.
- Utiliser seulement aux fins décrites dans le présent guide. Utiliser seulement des accessoires recommandés par le fabricant.
- Ne pas utiliser un appareil dont la fiche ou le cordon est abîmé, qui présente un problème de fonctionnement, qui est laissé à l'extérieur, qui est tombé dans l'eau ou qui est endommagé. Le rapporter au centre de service autorisé de la région
- Ne pas tirer sur le cordon, ni transporter l'appareil par le cordon. Ne pas se servir du cordon comme d'une poignée. Ne pas refermer une porte sur le cordon ni tirer sur le cordon lorsqu'il se trouve près d'une arête ou d'un coin tranchant. Ne pas faire passer l'appareil sur le cordon. Éloigner le cordon des surfaces chauffées.
- Ne pas tirer sur le cordon pour débrancher l'appareil. Il faut plutôt saisir la fiche.
- Ne pas manipuler la fiche ni l'appareil lorsque les mains sont mouillées.
- Ne rien insérer dans les orifices. Ne pas utiliser lorsque les orifices sont bloqués; s'assurer qu'il n'y a aucune accumulation de poussière, de charpie, de cheveux ou de tout autre corps qui pourrait réduire le débit d'air.
- Éloigner les cheveux, les vêtements amples, les doigts et tout autre membre des orifices et des pièces en mouvement.
- Éloigner le bout du tuyau, des rallonges ou toute autre ouverture du visage et du corps.
- Faire preuve d'une extrême prudence lors du nettoyage d'escaliers.
- S'assurer que la zone de travail est bien éclairée.
- Ne pas nettoyer des appareils électriques branchés.
- Ne pas aspirer des objets pointus, des débris métalliques ni tout autre objet dur et gros (comme des roches ou des pierres) au risque d'endommager le produit.
- Ne ramasser aucun liquide, substance toxique ni liquide inflammable ou combustible, comme de l'essence, et ne pas s'en servir dans un endroit renfermé de tels produits.
- Ne pas déposer ni échapper le produit dans de l'eau ni tout autre liquide. Le cas échéant, débrancher immédiatement le produit de la prise. Ne pas toucher à l'eau ni y plonger la main.
- Ne pas se servir du produit lorsqu'on se tient dans l'eau ou sur une surface mouillée.
- Ne ramasser aucun corps en combustion ou fumant, comme des cigarettes, des allumettes et des cendres chaudes.
- Ne pas utiliser sur des surfaces chaudes ou près de celles-ci. Éloigner le cordon des surfaces chauffées.
- Ne pas utiliser sans le bac à poussière et les filtres en place.
- Mettre l'appareil hors tension avant de le débrancher.
- Utiliser seulement des cordons de rallonge homologués UL ou cUL d'une intensité de 15 ampères. Des cordons de rallonge de faible intensité risquent de surchauffer. S'assurer qu'on ne puisse trébucher sur le cordon ni le tirer.
- L'utilisation d'une mauvaise tension risque d'endommager le moteur et de blesser l'utilisateur. La tension appropriée est indiquée sur la plaque signalétique de l'appareil.
- Toujours porter des chaussures et des vêtements appropriés lors de l'utilisation de l'appareil.
- Vérifier l'appareil et respecter toutes les consignes qui y sont inscrites.

**AVERTISSEMENTS CONCERNANT L'UTILISATION DU SOUFFLEUR/GONFLEUR :**

- Le fonctionnement de l'aspirateur en mode souffleur risque de projeter des corps étrangers dans les yeux et ainsi entraîner des blessures. **Toujours utiliser une protection oculaire (non fournie) lors de l'utilisation de l'aspirateur en mode souffleur.**
- Ne pas recouvrir de façon permanente les orifices des accessoires du souffleur ou du gonfleur.
- Toujours surveiller l'appareil lors du gonflage d'articles.
- Lors de l'utilisation d'un accessoire du souffleur, faire preuve de prudence car certaines surfaces pourraient devenir chaudes.

**⚠ AVERTISSEMENT :** ne pas pointer le système d'échappement de l'outil vers soi, une personne à proximité ou des animaux.

**⚠ AVERTISSEMENT :** toujours débrancher le produit avant d'assembler, d'ouvrir le contenant ou de le vider, de raccorder un accessoire ou de l'enlever.

**⚠ MISE EN GARDE :** tenir l'ouverture d'aspiration exempte de toute obstruction en tout temps; sinon le moteur risque de surchauffer et le produit peut être endommagé.

**⚠ MISE EN GARDE :** l'aspirateur portatif est un appareil très puissant. Avant de brancher l'appareil, s'assurer que l'interrupteur est à la position Arrêt. S'assurer de tenir fermement l'appareil au moment de le démarrer et durant son utilisation.

**⚠ MISE EN GARDE :** NE JAMAIS EXCÉDER LA PRESSION RECOMMANDÉE. L'article à gonfler risque d'éclater et de provoquer des blessures. Les articles gonflables fabriqués en matière souple n'indiqueront aucune pression nominale. Être prudent pour ne pas surgonfler.

**⚠ MISE EN GARDE :** porter une protection auditive personnelle appropriée pour utiliser cet appareil. Dans certaines conditions et selon la durée d'utilisation, le bruit émis par ce produit peut contribuer à une perte auditive.

**IMPORTANT :** le nettoyage des filtres améliore le rendement de l'aspirateur. S'assurer que tous les filtres sont complètement propres avant de les réinsérer dans l'aspirateur portatif. L'appareil électrique est conçu pour une utilisation domestique seulement et non commerciale ou industrielle.

**⚠ AVERTISSEMENT :** Certaines poussières domestiques contiennent des produits chimiques reconnus par l'État de la Californie comme étant cancérigènes et pouvant entraîner des anomalies congénitales et d'autres risques pour la reproduction tels que l'amiante et le plomb contenu dans les peintures au plomb.

**⚠ AVERTISSEMENT :** Le produit renferme des produits chimiques, dont du plomb. Selon l'état de la Californie, ce produit chimique peut causer le cancer ainsi que des malformations congénitales, et il présente d'autres dangers au système reproductif humain. Se laver les mains après l'utilisation.

### CONSERVER CES DIRECTIVES

**Caractéristiques et accessoires - HV9010 (fig. A)**

1. Réservoir à poussière
2. Bouton de dégagement du réservoir à poussière
3. Interrupteur marche/arrêt
4. Suceur plat/souffleur
5. Accessoire de gonflage
6. Brosse
7. Filtre en tissu (HVF91)
8. Préfiltre

**FICHES POLARISÉES**

Pour réduire le risque de chocs électriques, cet appareil comporte une fiche polarisée (une lame est plus large que l'autre). Cette fiche ne se branche que d'une seule façon dans une prise de courant polarisée. Si la fiche ne s'insère pas totalement dans la prise de courant, l'inverser. Si elle ne s'insère toujours pas dans la prise, demander à un électricien compétent d'installer une prise convenable. Ne pas modifier la fiche de quelconque façon.

**Assemblage**

**⚠ AVERTISSEMENT :** s'assurer que l'appareil électrique est éteint et débranché.

**Fixation des accessoires à l'aspirateur (HV9010) (fig. B)**

Les accessoires fournis s'agencent selon la tâche :

- a. nettoyage à l'aspirateur et époussetage généraux;
- b. nettoyage à l'aspirateur dans des espaces restreints et
- c. nettoyage à l'aspirateur de rideaux ou dans les coins.

Pour le fixer, insérer l'accessoire approprié à l'avant de l'appareil électrique comme indiqué.

**Fixation du suceur plat et de l'accessoire de gonflage pour souffler et gonfler (HV9010) (fig. C)**

**⚠ AVERTISSEMENT :** lors de l'utilisation de l'appareil électrique en mode souffleur, utiliser une protection oculaire. Maintenir l'admission d'air désobstruée pour empêcher la surchauffe du moteur. Ne pas pointer la sortie d'air vers soi, les personnes à proximité ou des animaux.

Fixation du suceur plat ou de l'accessoire de gonflage :

- Tourner le couvercle du filtre d'échappement (8) en sens antihoraire pour le retirer de l'appareil électrique.
- Retirer le filtre (9) de l'appareil électrique.
- Insérer l'accessoire dans l'ouverture. S'assurer qu'il est bien adapté et serré sur la partie arrière de l'appareil électrique.

**Fixation du tuyau souple pour souffler (HV9010P) (fig. C)**

**⚠ AVERTISSEMENT :** lors de l'utilisation de l'appareil électrique en mode souffleur, utiliser une protection oculaire. Maintenir l'admission d'air désobstruée pour empêcher la surchauffe du moteur. Ne pas pointer la sortie d'air vers soi, les personnes à proximité ou des animaux.

Fixation du tuyau flexible :

- Tourner le couvercle du filtre d'échappement (8) en sens antihoraire pour le retirer de l'appareil électrique.
- Retirer le filtre (9) de l'appareil électrique.
- Insérer le tuyau flexible dans l'ouverture. S'assurer qu'il est bien adapté et serré sur la partie arrière de l'appareil électrique.

**Brosse accessoire à action turbo (HV9010P SEULEMENT)**

**⚠ AVERTISSEMENT :** risque de blesser les animaux domestiques. Ne pas utiliser directement sur les animaux.

**⚠ MISE EN GARDE :** tenir les cheveux, les vêtements amples et toutes les parties du corps à distance de la brosse tournante.

L'aspirateur portatif comprend une brosse à action turbo entraînée par air.

Pour optimiser l'aspiration durant l'utilisation de la brosse à action turbo entraînée par air :

- Vider le réservoir à poussière régulièrement.
- Maintenir le filtre propre (consulter la rubrique « Nettoyage du réservoir à poussière et du filtre »).
- Retirer la saleté et les cheveux de la brosse à action turbo (consulter la rubrique « Nettoyage de la brosse à action turbo »).

Pour fixer la brosse à action turbo, insérer l'adaptateur de la brosse directement dans l'ouverture de la buse comme indiqué à la figure A1 ou fixer la brosse à action turbo à la rallonge du tuyau puis fixer cette dernière à la buse.

**Remarque :** s'assurer que l'accessoire est solidement fixé avant chaque utilisation de l'appareil.

**Fonctionnement**

**⚠ AVERTISSEMENT :** avant de brancher l'appareil sur le secteur, s'assurer qu'il est bien éteint.

**Mise en marche et arrêt**

- Pour mettre l'outil en marche, régler l'interrupteur marche/arrêt (3) à la position I.
- Pour éteindre l'outil, régler l'interrupteur marche/arrêt (3) à la position O.

**⚠ AVERTISSEMENT :** s'assurer que les accessoires sont solidement fixés avant de mettre l'appareil en marche. Tenir fermement l'appareil électrique lors du démarrage et au cours de son utilisation.

#### Dispositif de thermoprotection du moteur

Le moteur de l'appareil électrique comporte un dispositif thermoprotecteur. Ce dernier éteint automatiquement l'appareil en cas de surchauffe du moteur. Dans ce cas, procéder comme suit :

- Éteindre l'appareil électrique et retirer la fiche de la prise murale.
- Laisser refroidir l'appareil. Une fois l'appareil froid, vérifier et nettoyer les filtres.
- Réinsérer la fiche dans la prise murale et mettre l'appareil électrique en marche.

#### Nettoyage du réservoir à poussière et du filtre (fig. D)

**AVERTISSEMENT :** s'assurer que l'appareil électrique soit éteint et débranché.

Lorsque le réservoir à poussière est plein ou que les filtres sont encrassés, vider le réservoir et nettoyer les filtres.

Les filtres sont réutilisables et doivent être nettoyés régulièrement.

- Appuyer sur le bouton de dégagement du réservoir à poussière (2) et retirer le réservoir (1).
- Pour retirer le filtre, tourner le porte-filtre dans le sens horaire. Retirer le filtre interne.
- Brosser le filtre pour enlever la poussière en surface.
- Retirer toute poussière du réservoir.
- Laver le filtre dans une solution chaude d'eau savonneuse. Au besoin, laver également le réservoir et le porte-filtre. Ne pas immerger l'appareil électrique dans l'eau.
- S'assurer que le réservoir à poussière, le porte-filtre et le filtre sont complètement secs.
- Enclencher de nouveau le filtre interne et le porte-filtre.
- Réinsérer le réservoir à poussière dans l'appareil électrique, s'assurer qu'il s'enclenche en position avec un déclic.

#### Pour nettoyer le filtre d'échappement, procéder comme suit :

- Tourner le couvercle du filtre d'échappement (9) en sens antihoraire pour le retirer de l'appareil électrique.
- Retirer le filtre (10) de l'appareil électrique.
- Laver et sécher le filtre comme précisé ci-dessus.
- Réinsérer le filtre et replacer le couvercle du filtre d'échappement. Le tourner en sens horaire pour le verrouiller en position.

**MISE EN GARDE :** ne jamais utiliser l'appareil électrique sans les filtres. Des filtres propres et un réservoir à poussière vide optimisent le captage des poussières. La présence de poussière qui tombe de l'arrière de l'appareil électrique indique que le réservoir à poussière est plein et doit être vidé.

#### Nettoyage de la brosse à action turbo

Retirer d'abord la brosse à action turbo de l'appareil. Enfoncer le bouton situé à l'avant de la brosse, puis soulever sa partie supérieure. Il est possible que la roue de turbine ou la brosse présente des cheveux, de la poussière, de la peluche, etc. Enlever autant de saleté que possible. Une fois que le tout est propre, remettre et enclencher la partie supérieure (consulter les figures E1, E2 et E3).

#### Remplacement des filtres

Les filtres doivent être remplacés tous les 6 à 9 mois et chaque fois qu'ils sont usés ou endommagés. Des filtres de rechange sont disponibles auprès du détaillant Black & Decker local (cat. n° HVF91).

- Retirer les anciens filtres comme décrit ci-dessus.
- Installer les filtres neufs comme décrit ci-dessus.

#### Rangement

- Enrouler le cordon d'alimentation autour de l'appareil.
- Ranger l'appareil électrique et ses accessoires dans un local sec hors de portée des enfants.

#### Nettoyage et entretien

**AVERTISSEMENT :** avant tout nettoyage et entretien, éteindre l'appareil électrique et le débrancher. Passer un chiffon humide sur l'appareil de temps en temps. Ne pas utiliser de produits nettoyants abrasifs ou à base de solvants. Ne jamais laisser de liquide pénétrer dans l'outil et n'immerger aucune partie de l'outil dans un liquide.

**IMPORTANT :** pour assurer la SÉCURITÉ et la FIABILITÉ du produit, confier toute réparation, entretien ou réglage à un centre de réparation autorisé ou autres centres qualifiés et toujours utiliser des pièces de rechange identiques.

#### DÉPANNAGE

##### Problème

- L'appareil refuse de démarrer.

##### Cause possible

- Cordon d'alimentation non branché.
- Le fusible du circuit est grillé.

##### Solution possible

- Brancher l'outil dans une prise qui fonctionne.
- Remplacer le fusible du circuit. (Si le produit fait griller de façon répétée le fusible du circuit, arrêter immédiatement d'utiliser le produit et le faire réparer dans un centre de réparation Black & Decker ou un centre de réparation autorisé.)
- Remettre le disjoncteur à zéro. (Si le produit fait déclencher de façon répétée le disjoncteur, arrêter immédiatement d'utiliser le produit et le faire réparer dans un centre de réparation Black & Decker ou un centre de réparation autorisé.)
- Faire remplacer le cordon ou l'interrupteur au centre de réparation Black & Decker ou à un centre de réparation autorisé.
- Nettoyer le réservoir et les filtres. Appuyer sur le bouton de dégagement du réservoir à poussière et retirer le filtre. Pour retirer le filtre, tourner le porte-filtre dans le sens horaire. Retirer le filtre interne et le brosser pour enlever toute poussière en surface. Retirer toute poussière du réservoir. Laver les filtres dans de l'eau chaude savonneuse. S'assurer que les filtres sont secs avant de les remettre dans l'aspirateur.

- Le disjoncteur est déclenché.

- Le cordon d'alimentation ou la prise de courant est endommagé(e).

- Le filtre est obstrué.

Pour obtenir de l'aide avec l'outil, consulter notre site Web [www.blackanddecker.com](http://www.blackanddecker.com) pour l'emplacement du centre de réparation le plus près ou communiquer avec l'assistance **BLACK & DECKER** au 1-800-544-6986.

#### ACCESSOIRES

Les accessoires recommandés pouvant être utilisés avec l'outil sont disponibles auprès de votre distributeur local ou centre de réparation autorisé. Pour tout renseignement concernant les accessoires, composer le : **1 800 544-6986**.

**AVERTISSEMENT :** l'utilisation de tout accessoire non recommandé avec cet outil pourrait s'avérer dangereuse.

#### Information sur les réparations

Tous les centres de réparation Black & Decker sont dotés de personnel qualifié en matière d'outillage électrique; ils sont donc en mesure d'offrir à leur clientèle un service efficace et fiable. Que ce soit pour un avis technique, une réparation ou des pièces de rechange authentiques installées en usine, communiquer avec l'établissement Black & Decker le plus près de chez vous. Pour trouver l'établissement de réparation de votre région, consulter le répertoire des Pages jaunes à la rubrique « Outils électriques » ou composer le numéro suivant : 1-800-544-6986 ou consulter le site [www.blackanddecker.com](http://www.blackanddecker.com)

#### Garantie complète de deux ans pour une utilisation domestique

Black & Decker (É.-U.) Inc. garantit ce produit pour une durée de deux ans contre tout défaut de matériau ou de fabrication. Le produit défectueux sera remplacé ou réparé sans frais de l'une des deux façons suivantes :

La première façon consiste en un simple échange chez le détaillant qui l'a vendu (pourvu qu'il s'agisse d'un détaillant participant). Tout retour doit se faire durant la période correspondant à la politique d'échange du détaillant (habituellement, de 30 à 90 jours après l'achat). Une preuve d'achat peut être requise. Vérifier auprès du détaillant pour connaître sa politique concernant les retours hors de la période définie pour les échanges.

La deuxième option est d'apporter ou d'envoyer le produit (transport payé d'avance) à un centre de réparation autorisé ou à un centre de réparation de Black & Decker pour faire réparer ou échanger le produit, à notre discrétion. Une preuve d'achat peut être requise. Les centres Black & Decker et les centres de service autorisés sont répertoriés dans les pages jaunes, sous la rubrique « Outils électriques ».

Cette garantie ne s'applique pas aux accessoires. Cette garantie vous accorde des droits légaux spécifiques et vous pourriez avoir d'autres droits qui varient d'un État ou d'une province à l'autre. Pour toute question, communiquer avec le directeur du centre de réparation Black & Decker le plus près de chez vous. Ce produit n'est pas destiné à un usage commercial.

**REPLACEMENT GRATUIT DES ÉTIQUETTES D'AVERTISSEMENT :** si les étiquettes d'avertissement deviennent illisibles ou sont manquantes, composer le **1-800-544-6986** pour en obtenir le remplacement gratuit.

Imported by / Importé par  
Black & Decker Canada Inc.  
100 Central Ave.  
Brockville (Ontario) K6V 5W6

Voir la rubrique "Outils électriques"  
des Pages Jaunes  
pour le service et les ventes.



## ASPIRADORA MANUAL CON CABLE/SOPLADORA

# MANUAL DE INSTRUCCIONES

Catálogo N°  
HV9010, HV9010P

**Gracias por elegir Black & Decker!**  
**Visite [www.BlackandDecker.com/NewOwner](http://www.BlackandDecker.com/NewOwner)**  
**para registrar su nuevo producto.**

### LEA EL MANUAL ANTES DE DEVOLVER ESTE PRODUCTO POR CUALQUIER MOTIVO:

Si tiene una consulta o algún inconveniente con su producto Black & Decker, visite  
**[HTTP://WWW.BLACKANDDECKER.COM/INSTANTANSWERS](http://WWW.BLACKANDDECKER.COM/INSTANTANSWERS)**

para obtener respuestas instantáneas las 24 horas del día.

Si no encuentra la respuesta o no tiene acceso a Internet, llame al 1-800-544-6986 de  
lunes a viernes de 8 a.m. a 5 p.m. hora del Este para hablar con un agente.

Cuando llame, tenga a mano el número de catálogo.

## Para comprar un filtro de repuesto (HVF91), llame al 1-888-678-7278.

### CONSERVE ESTE MANUAL PARA FUTURAS CONSULTAS.

### RECOMENDACIONES IMPORTANTES

Cuando utilice aparatos eléctricos, debe seguir siempre ciertas precauciones básicas de seguridad, entre las que se encuentran las siguientes:

**POR FAVOR LEA CUIDADOSAMENTE TODAS LAS INSTRUCCIONES ANTES DE USAR LA UNIDAD.**

#### PAUTAS DE SEGURIDAD/DEFINICIONES

Es importante que lea y comprenda este manual. La información que contiene se relaciona con la protección de SU SEGURIDAD y la PREVENCIÓN DE PROBLEMAS. Los símbolos que siguen se utilizan para ayudarlo a reconocer esta información.

**PELIGRO:** indica una situación de peligro inminente que, si no se evita, provocará la muerte o lesiones graves.

**ADVERTENCIA:** indica una situación de peligro potencial que, si no se evita, provocará la muerte o lesiones graves.

**PRECAUCIÓN:** indica una situación de peligro potencial que, si no se evita, provocará lesiones leves o moderadas.

**PRECAUCIÓN:** utilizado sin el símbolo de alerta de seguridad indica una situación de peligro potencial que, si no se evita, puede provocar daños en la propiedad.

**ADVERTENCIA:** puede provocar lesiones en las mascotas.  
**No utilizar directamente sobre los animales.**

**ADVERTENCIA:** Para reducir los riesgos de incendio, choque eléctrico y lesiones:

- No deje el aparato cuando esté conectado. Desconecte de la toma de corriente cuando no lo use y antes de darle servicio.
- Utilícese únicamente bajo techo. No se use en superficies mojadas.
- No se use o guarde a la intemperie o en superficies mojadas. Para evitar tropezarse, guarde la aspiradora después de cada uso.
- Se requiere supervisión cercana cuando cualquier aparato es utilizado por niños o cerca de ellos. No permita que se use como juguete.
- Utilícese únicamente como se describe en este manual. Utilice solamente los accesorios recomendados por el fabricante.
- No opere ningún aparato con el cable o clavija dañados, o después de que la unidad funciona mal, se dejó a la intemperie, cayó al agua o se daña en cualquier manera. Lleve el aparato a cualquier centro de servicio autorizado.

- No tire de la aspiradora tomándola por el cable, no utilice el cable como asa, no cierre una puerta por encima del cable, ni pase éste alrededor de bordes o esquinas afiladas. No pase la aspiradora sobre el cable. Aleje el cable de superficies calientes.
- No desconecte tirando del cable. Para desconectar, sujete la clavija, no el cable.
- No maneje la clavija o el aparato con las manos mojadas.
- No coloque ningún objeto en las aberturas de la unidad. No utilice la unidad si alguna abertura esta bloqueada; conserve las aberturas libres de polvo, pelusas, pelo y cualesquiera otros objetos que bloqueen el flujo de aire.
- Conserve cabello, prendas de vestir sueltas, dedos y demás partes del cuerpo lejos de las aberturas y otras partes móviles.
- Conserve el extremo de la manguera, las extensiones y otras aberturas lejos de su cara y el cuerpo.
- Tenga mucho cuidado cuando utilice la unidad en escaleras.
- Conserve el área de trabajo bien iluminada.
- No aspire ningún aparato eléctrico mientras esté conectado.
- No recoja objetos afilados desechos metálicos, ni objetos grandes y sólidos (p.e. cuentas o piedras) que pudiesen dañar la aspiradora o sus filtros.
- No se use para recoger líquidos, sustancias, tóxicas, líquidos inflamables o combustibles como gasolina ni se emplee en donde puedan estar presentes.
- No coloque o suelte el producto en agua u otros líquidos, si el producto cae al agua, desconéctelo inmediatamente de la toma de corriente. No lo alcance ni lo toque en el agua.
- No coloque los accesorios mientras la unidad esté en funcionamiento.
- No aspire materiales humeantes ni que estén quemándose, como colillas de cigarro, cerillos o cenizas calientes.
- No se utilice sobre superficies calientes ni cerca de ellas.
- No se utilice sin que el depósito de basura y los filtros estén en su sitio.
- Apague el interruptor antes de desconectar.
- Utilice únicamente extensiones clasificadas por UL para 15 amperes. Los cables de extensión clasificados para un amperaje menor pueden sobrecalentarse. Tenga cuidado de colocar el cable de tal manera que no se enrede o tropiece con éste.
- El uso de voltaje incorrecto puede ocasionarle daños al motor y posibles lesiones a los usuarios. El voltaje correcto. Está señalado en la etiqueta de clasificación.
- Utilice siempre los zapatos y las prendas de vestir apropiados cuando opere este producto.
- Examine su aspiradora de mano y siga todas las instrucciones marcadas.

**ADVERTENCIAS SOBRE EL FUNCIONAMIENTO DE LA SOPLADORA / INFLADOR:**

- La función de sopladora de esta aspiradora puede hacer que un objeto extraño ingrese en sus ojos y provocarle lesiones oculares. **Siempre utilice protección para los ojos (no se proporciona) cuando opera la sopladora.**
- No cubra constantemente las aberturas de los accesorios para la sopladora/inflador.
- No abandone el aparato cuando infle cualquier artículo.
- Tenga cuidado al utilizar la sopladora, algunas superficies pueden estar calientes.

**⚠ ADVERTENCIA:** No apunte el escape de la herramienta hacia usted, espectadores o animales.

**⚠ ADVERTENCIA:** Siempre desenchufe el producto del tomacorriente eléctrico antes de montar, abrir o vaciar el contenedor o conectar/desconectar los accesorios.

**⚠ PRECAUCIÓN:** Mantenga el orificio de succión de entrada libre de obstrucciones en todo momento, de lo contrario, el motor se sobrecalentará y se dañará el producto.

**⚠ PRECAUCIÓN:** La aspiradora manual es una unidad muy potente. Antes de enchufar el cable en el tomacorriente, asegúrese de que el interruptor esté en la posición de apagado. Asegúrese de sostenerla con firmeza al encenderla y durante su uso.

**⚠ PRECAUCIÓN:** NUNCA EXCEDA LA PRESIÓN RECOMENDADA. El artículo que infle puede estallar y causar lesiones. Los artículos inflables de material blando no presentarán valores de presión previos. Tenga cuidado de no inflarlos en exceso.

**⚠ PRECAUCIÓN:** Mientras use la herramienta, utilice la protección auditiva adecuada. Bajo ciertas circunstancias y según el período de uso, el ruido producido por este producto puede contribuir a la pérdida de audición.

**IMPORTANTE: Limpiar los filtros mejora el rendimiento de la aspiradora. Asegúrese de que todos los filtros estén completamente limpios antes de introducirlos nuevamente en la aspiradora manual. Este aparato está diseñado para uso doméstico solamente y no para uso comercial o industrial.**

**⚠ ADVERTENCIA:** Ciertas partículas de polvo doméstico contienen químicos, como el asbesto y la pintura a base de plomo, reconocidos por el estado de California como causantes de cáncer, defectos congénitos u otros problemas reproductivos.

**⚠ ADVERTENCIA:** Este producto contiene químicos, incluyendo plomo, que en el Estado de California se consideran como causantes de cáncer y defectos congénitos u otros daños reproductivos. Lave sus manos después de manejarlo.

## CONSERVE ESTAS INSTRUCCIONES

**Características y accesorios - HV9010 (fig. A)**

- Depósito para polvo
- Botón de liberación del depósito para polvo
- Interruptor de encendido/apagado
- Herramienta para ranuras / sopladora
- Herramienta para inflador
- Herramienta con cepillos
- Filtro de tela (HVF91)
- Prefiltro

**ENCHUFES POLARIZADOS**

Para disminuir el riesgo de descargas eléctricas, este aparato posee un enchufe polarizado (una hoja es más amplia que la otra). Este enchufe se calza en un tomacorriente polarizado de una sola manera. Si el enchufe no se ajusta totalmente al tomacorriente, invierta el enchufe. Si aun así no se ajusta bien, recurra a un electricista calificado para que instale un tomacorriente adecuado. No modifique el enchufe de ninguna manera.

**Ensamblaje**

**⚠ ADVERTENCIA:** Asegúrese de que el aparato esté en la posición de apagado y desenchufado.

**Acoplamiento de los accesorios de la aspiradora (HV9010) (fig. B)**

Los accesorios provistos pueden utilizarse en diversas combinaciones, según la tarea:

- Aspirar / espolvorear en forma general
- Aspirar en espacios estrechos
- Aspirar tapizados o en esquinas

Instalar, insertar el accesorio apropiado en la parte delantera del aparato como se muestra.

**Conexión de la ranura y la herramienta para el inflador, para soplar e inflar (HV9010) (fig. C)**

**⚠ ADVERTENCIA:** Cuando utiliza la función de sopladora del aparato, use protección para los ojos. Mantenga el orificio de succión de entrada libre de obstrucciones para impedir que el motor se sobrecaliente. No apunte la salida de aire hacia usted, espectadores o animales.

Para conectar la ranura o la herramienta para inflador:

- Gire la cubierta del filtro de extracción (8) en sentido contrario a las agujas del reloj para separarla del aparato.

- Retire el filtro (9) del aparato.

Inserte la herramienta en la abertura. Asegúrese que calce con precisión contra la parte trasera del aparato.

**Conexión de la manguera flexible para soplar (HV9010P) (fig. C)**

**⚠ ADVERTENCIA:** cuando use el aparato para soplar, utilice protección para los ojos. Mantenga la entrada de aire libre de obstrucciones para evitar el sobrecalentamiento del motor. No apunte la salida de aire hacia usted, las personas que se encuentren alrededor ni los animales.

Para conectar la manguera flexible:

- Gire la cubierta del filtro del escape (8) en sentido contrario a las agujas del reloj para retirarla del aparato.
- Retire el filtro (9) del aparato.
- Inserte la manguera flexible en la abertura. Asegúrese que calce con precisión contra la parte trasera del aparato.

**Accesorio del turbocepillo (HV9010P ÚNICAMENTE)**

**⚠ ADVERTENCIA:** puede provocar lesiones en las mascotas. No utilizar directamente sobre los animales.

**⚠ PRECAUCIÓN:** mantenga el cabello, las ropas holgadas y todas las partes del cuerpo alejadas del cepillo giratorio.

Su aspiradora manual se suministra con un turbocepillo accionado por aire.

Para poder incrementar al máximo la succión de aire al utilizar el turbocepillo accionado por aire:

- Vacíe la taza de suciedad con frecuencia.
- Mantenga limpio el filtro (consulte Limpieza de la taza de suciedad y el filtro”).
- Mantenga el turbocepillo sin pelos ni suciedad (consulte “Limpieza del turbocepillo”).

Para conectar el turbocepillo, inserte el adaptador del cepillo directamente en la boquilla como se indica en la figura A1 o conecte el turbocepillo a la manguera de extensión y luego a la boquilla.

**Nota: asegúrese que el accesorio esté bien conectado antes de utilizarlo.**

**Funcionamiento**

**⚠ ADVERTENCIA:** Antes de conectar el suministro de energía, asegúrese de que el aparato esté en la posición de apagado.

**Encendido y apagado**

- Para encender la herramienta, coloque el interruptor de encendido/apagado (3) en la posición I.
- Para apagar la herramienta, coloque el interruptor de encendido/apagado (3) en la posición O.

**⚠ ADVERTENCIA:** Asegúrese de que los accesorios estén bien conectados antes de encender la herramienta. Sujete el aparato firmemente cuando lo encienda y durante su uso.

**Medida de seguridad térmica del motor**

El motor del aparato contiene una medida de seguridad térmica. Este dispositivo apaga el aparato de forma automática en caso de sobrecalentamiento. De ser así, proceda de la siguiente manera:

- Apague el aparato y desenchúfelo.
- Espere que la unidad se enfríe. Cuando la unidad se enfríe, compruebe y limpie los filtros.
- Vuelva a insertar el enchufe en la pared y encienda el aparato.

**Limpiar el depósito para polvo y el filtro (fig. D)**

**⚠ ADVERTENCIA:** Asegúrese de que el aparato esté en la posición de apagado y desenchufado.

Cuando el depósito para polvo está lleno o los filtros están obstruidos, vacíe el depósito y limpie los filtros. Los filtros son reutilizables y deben limpiarse periódicamente.

- Presione el botón de liberación del depósito para polvo (2) y retire el depósito para polvo (1).
- Para retirar el filtro gire el sujetador del filtro en el sentido de las agujas del reloj. Retire el filtro interno.
- Cepille los filtros para quitar el polvo restante.
- Retire el polvo del depósito para polvo.
- Lave el filtro con agua jabonosa tibia. El depósito y el sujetador del filtro también pueden lavarse si es necesario. No sumerja la unidad en agua.
- Asegúrese de que el depósito para polvo, el sujetador del filtro y el filtro estén completamente secos.
- Vuelva a colocar el sujetador del filtro y el filtro interno.
- Vuelva a colocar el depósito para filtro en el aparato y asegúrese de que el depósito para polvo quede firme en su lugar.

**Para limpiar el filtro de extracción, proceda de la siguiente forma**

- Gire la cubierta del filtro de extracción (9) en sentido contrario a las agujas del reloj para separarla del aparato.
- Retire el filtro (10) del aparato.
- Lave y seque el filtro según la descripción anterior.
- Vuelva a colocar el filtro y reemplace la cubierta del filtro de extracción. Gire la cubierta en sentido de las agujas del reloj para fijarla en la posición de bloqueo.

**⚠ PRECAUCIÓN:** Nunca utilice el aparato sin los filtros. La recolección del polvo óptima sólo se alcanzará con filtros limpios y el depósito para polvo vacío. Si comienza a caer polvo del aparato después de apagarlo, esto indica que el depósito para polvo está lleno y debe vaciarse.

**Limpieza del turbocepillo**

Retire primero el turbocepillo de la unidad. Oprima el botón en la parte frontal del cepillo y levante la parte superior. Posiblemente haya algunos pelos, suciedad, pelusas, etc. en la rueda de turbina o en el cepillo. Quite estos objetos tanto como sea posible. Una vez limpio, vuelva a colocar la parte superior y encájela en su lugar (**vea las figuras E1, E2 y E3**).

**Reemplazo de los filtros**

Los filtros se deben reemplazar cada 6 a 9 meses y cuando estén gastados o dañados.

Pueden encontrar los filtros de reemplazo en su comercio Black & Decker (Nº. de catálogo (HVF91).

- Retire los filtros viejos como se describe arriba.

- Coloque los filtros nuevos según la descripción anterior.

**Almacenamiento**

- Enrolle el cable de la fuente de energía alrededor del aparato.
- Guarde el aparato y los accesorios en un lugar seco fuera del alcance de los niños.

**Mantenimiento/Limpieza**

**⚠ ADVERTENCIA:** Antes de realizar la limpieza y el

mantenimiento, apague y desenchufe el aparato. De vez en cuando limpie el aparato con un paño húmedo. No utilice limpiadores abrasivos ni que contengan solvente. Nunca permita que penetre líquido dentro de la herramienta ni sumerja ninguna de las piezas en un líquido.

**IMPORTANTE:** para asegurar la SEGURIDAD y la CONFIABILIDAD del producto, las reparaciones, el mantenimiento y los ajustes se deben realizar en los centros de mantenimiento autorizados o con otro personal de mantenimiento calificado, utilizando siempre piezas de repuesto idénticas.

## Problema

- La unidad no enciende.

## DETECCIÓN DE PROBLEMAS

### Causa posible

- Cable desenchufado.
- Fusible quemado.
- El interruptor automático está activado.
- Interruptor o cable dañado.
- El filtro está obstruido.

### Solución posible

- Enchufe el cargador en un tomacorriente que funcione.
- Reemplace el fusible quemado. (Si repetidamente el producto hace que el fusible del circuito se quemé, deje de utilizarlo inmediatamente y haga que le realicen mantenimiento en un centro de mantenimiento Black & Decker o en un centro de servicio autorizado.)
- Reinicie el interruptor automático. (Si repetidamente el producto hace que el fusible del circuito se quemé, deje de utilizarlo inmediatamente y haga que le realicen mantenimiento en un centro de mantenimiento Black & Decker o en un centro de servicio autorizado.)
- Haga reparar el cable o el interruptor en un centro de mantenimiento Black & Decker o en un centro de mantenimiento autorizado.
- Limpie el depósito y los filtros. Presione el botón de liberación del depósito de polvo y quite el depósito de polvo. Para retirar el filtro, gire el sujetador del filtro en el sentido de las agujas del reloj. Retire el filtro interior y cepíllelo para quitar el polvo restante. Quite el polvo restante del depósito de polvo. Lave los filtros con agua jabonosa tibia. Asegúrese de que los filtros estén secos antes de volver a colocarlos en la aspiradora.

Para conocer la ubicación del centro de mantenimiento más cercano a fin de recibir ayuda con su producto, visite nuestro sitio Web [www.blackanddecker.com](http://www.blackanddecker.com) o llame a la línea de ayuda BLACK & DECKER al 55-5326-7100

## Accesorios

Los accesorios que se recomiendan para la herramienta están disponibles en su distribuidor local o en el centro de mantenimiento autorizado. Si necesita ayuda con respecto a los accesorios, llame al: (55)5326-7100

**⚠ ADVERTENCIA:** El uso de accesorios no recomendados para utilizar con esta herramienta puede resultar peligroso.

## Información de mantenimiento

Todos los Centros de mantenimiento de Black & Decker cuentan con personal altamente capacitado dispuesto a brindar a todos los clientes un servicio eficiente y confiable en la reparación de herramientas eléctricas. Si necesita consejo técnico, reparaciones o piezas de repuesto originales de fábrica, póngase en contacto con el centro de mantenimiento de Black & Decker más cercano a su domicilio. Para ubicar su centro de servicio local, consulte la sección "Herramientas eléctricas" (Tools-Electric) de las páginas amarillas, llame al (55)5326-7100 o visite nuestro sitio [www.blackanddecker.com](http://www.blackanddecker.com).

## Garantía completa de dos años para uso en el hogar

Black & Decker (Estados Unidos) Inc. ofrece una garantía de dos años por cualquier defecto del material o de fabricación de este producto. El producto defectuoso se reparará o reemplazará sin costo alguno de dos maneras.

La primera opción, el reemplazo, es devolver el producto al comercio donde se lo adquirió (siempre y cuando se trate de un comercio participante). Las devoluciones deben realizarse conforme a la política de devolución del comercio (generalmente, entre 30 y 90 días posteriores a la venta). Le pueden solicitar comprobante de compra. Consulte en el comercio acerca de la política especial sobre devoluciones una vez excedido el plazo establecido.

La segunda opción es llevar o enviar el producto (con flete pago) a un Centro de mantenimiento propio o autorizado de Black & Decker para su reparación o reemplazo según nuestro criterio. Le pueden solicitar el comprobante de compra. Los Centros de mantenimiento autorizados y de propiedad de Black & Decker se detallan en la sección "Herramientas eléctricas" (Tools-Electric) de las páginas amarillas de la guía telefónica. Esta garantía no se extiende a los accesorios. Esta garantía le concede derechos legales específicos; usted puede tener otros derechos que pueden variar según el estado o la provincia. Si tiene alguna pregunta, comuníquese con el gerente del Centro de mantenimiento de Black & Decker de su zona. Este producto no está diseñado para uso comercial.

**AMÉRICA LATINA:** esta garantía no se aplica a los productos que se venden en América Latina. Para los productos que se venden en América Latina, debe consultar la información de la garantía específica del país que viene en el empaque, llamar a la compañía local o visitar el sitio Web a fin de obtener esa información.

## ESPECIFICACIONES

Tensión de alimentación:	120 V AC
Potencia nominal:	781 W
Frecuencia de operación:	60 Hz
Consumo de corriente:	7 A

## Póliza de Garantía

## IDENTIFICACIÓN DEL PRODUCTO:

Sello o firma del Distribuidor: \_\_\_\_\_ Nombre del producto: \_\_\_\_\_  
Mod./Cat.: \_\_\_\_\_ Marca: \_\_\_\_\_  
Núm. de serie: \_\_\_\_\_ (Datos para ser llenados por el distribuidor)  
Fecha de compra y/o entrega del producto: \_\_\_\_\_

Nombre y domicilio del distribuidor donde se adquirió el producto: \_\_\_\_\_

Este producto está garantizado por dos años a partir de la fecha de entrega, contra cualquier defecto en su funcionamiento, así como en materiales y mano de obra empleados para su fabricación. Nuestra garantía incluye la reparación o reposición del producto y/o componentes sin cargo alguno para el cliente, incluyendo mano de obra, así como los gastos de transportación razonablemente erogados derivados del cumplimiento de este certificado. Para hacer efectiva esta garantía deberá presentar su herramienta y esta póliza sellada por el establecimiento comercial donde se adquirió el producto, de no contar con ésta, bastará la factura de compra.

## EXCEPCIONES

Esta garantía no será válida en los siguientes casos:

- Cuando el producto se hubiese utilizado en condiciones distintas a las normales;
- Cuando el producto no hubiese sido operado de acuerdo con el instructivo de uso que se acompaña;
- Cuando el producto hubiese sido alterado o reparado por personas distintas a las enlistadas al final de este certificado.

Anexo encontrará una relación de sucursales de servicio de fábrica, centros de servicio autorizados y franquiciados en la República Mexicana, donde podrá hacer efectiva su garantía y adquirir partes, refacciones y accesorios originales.

## Para reparación y servicio de sus herramientas eléctricas, favor de dirigirse al Centro de Servicio más cercano:

### CULIACAN, SIN

Av. Nicolás Bravo #1063 Sur  
(667) 7 12 42 11  
Col. Industrial Bravo

### GUADALAJARA, JAL

Av. La Paz #1779  
(33) 3825 6978  
Col. Americana Sector Juárez

### MEXICO, D.F.

Eje Central Lázaro Cardenas  
No. 18  
(55) 5588 9377  
Local D, Col. Obrera

### MERIDA, YUC

Calle 63 #459-A  
(999) 928 5038  
Col. Centro

### MONTERREY, N.L.

Av. Francisco I. Madero  
No.831  
(81) 8375 2313  
Col. Centro

### PUEBLA, PUE

17 Norte #205  
(222) 246 3714  
Col. Centro

### QUERETARO, QRO

Av. Madero 139 Pte.  
(442) 214 1660  
Col. Centro

### SAN LUIS POTOSI, SLP

Av. Universidad 1525  
(444) 814 2383  
Col. San Luis

### TORREON, COAH

Blvd. Independencia, 96 Pte.  
(871) 716 5265  
Col. Centro

### VERACRUZ, VER

Prolongación Díaz Mirón #4280  
(229)921 7016  
Col. Remes

### VILLAHERMOSA, TAB

Constitución 516-A  
(993) 312 5111  
Col. Centro

## PARA OTRAS LOCALIDADES LLAME AL: (55) 5326 7100

Vea "Herramientas eléctricas (Tools-Electric)"  
- Páginas amarillas -  
para Servicio y ventas



BLACK & DECKER S.A. DE C.V.  
BOSQUES DE CIDROS ACCESO RADIATAS  
NO. 42  
COL. BOSQUES DE LAS LOMAS.  
05120 MÉXICO, D.F.  
TEL. 55-5326-7100