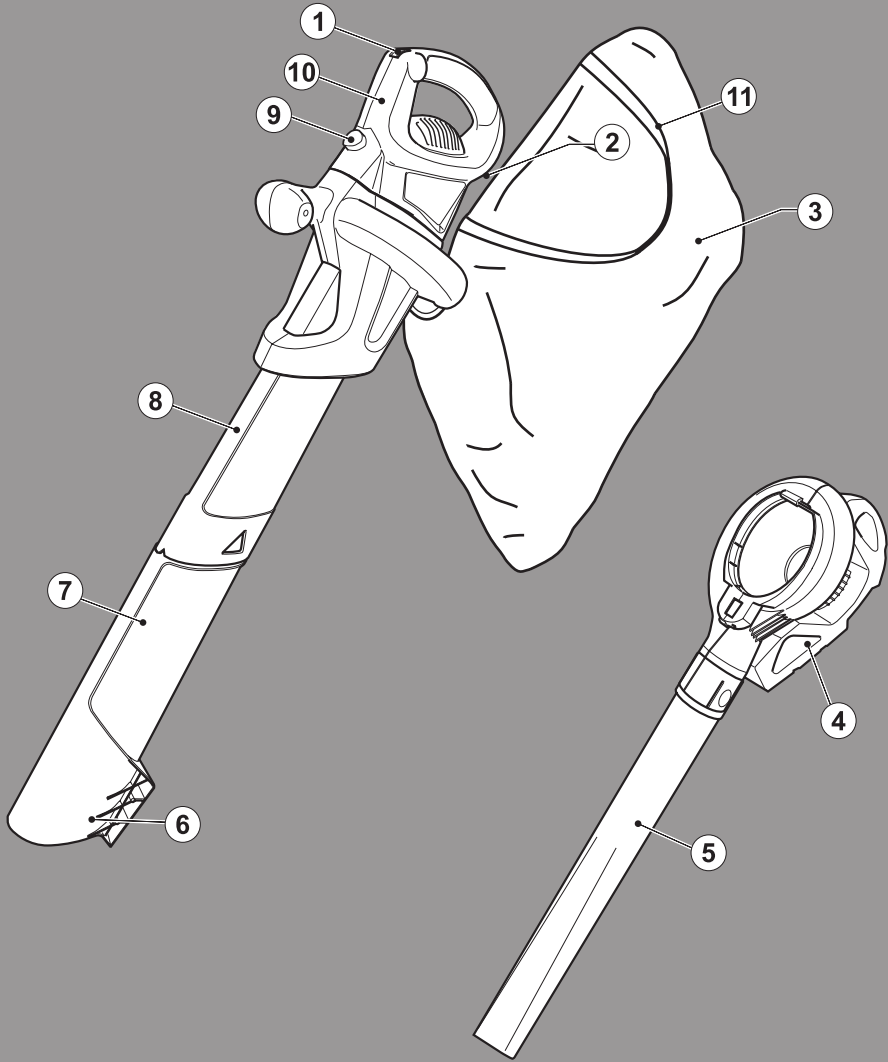




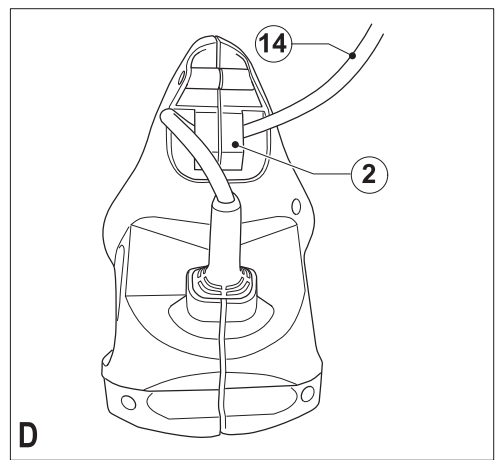
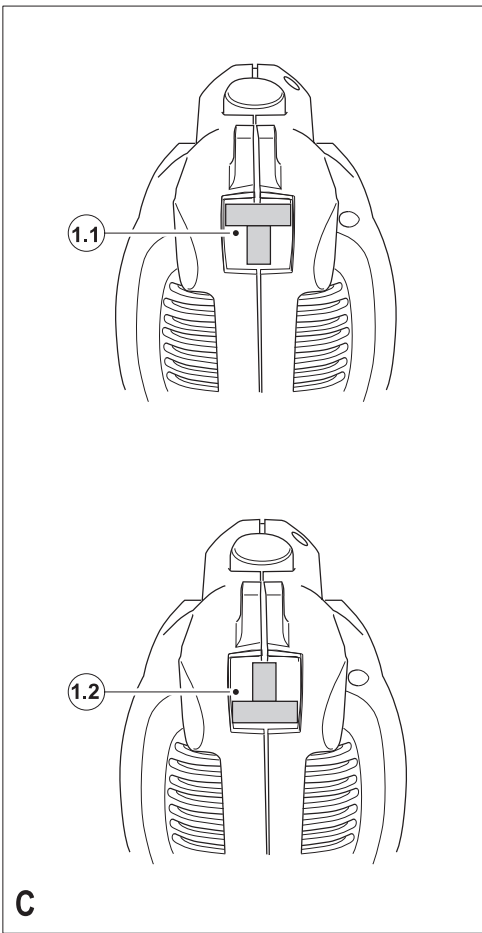
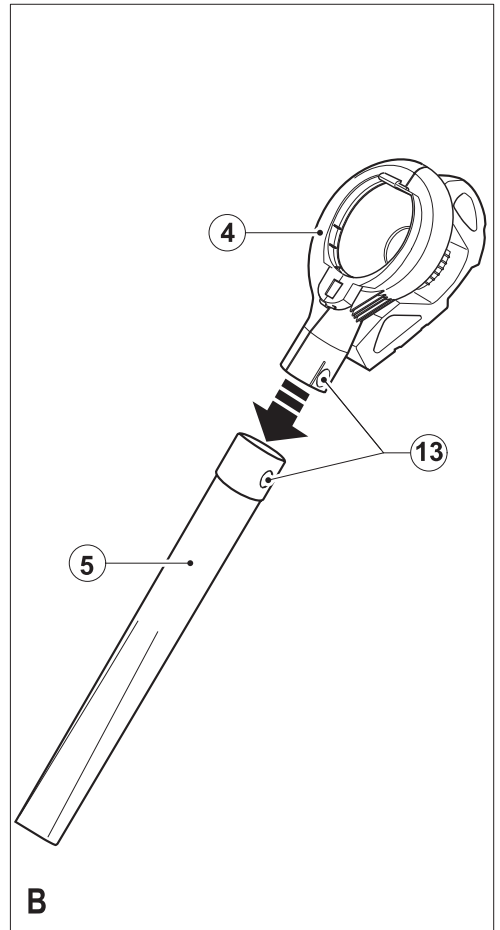
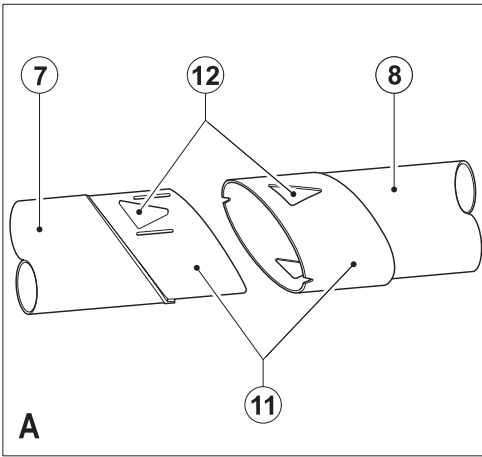
BLACK & DECKER®

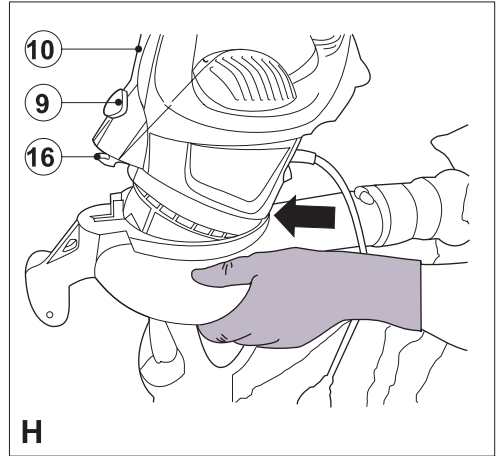
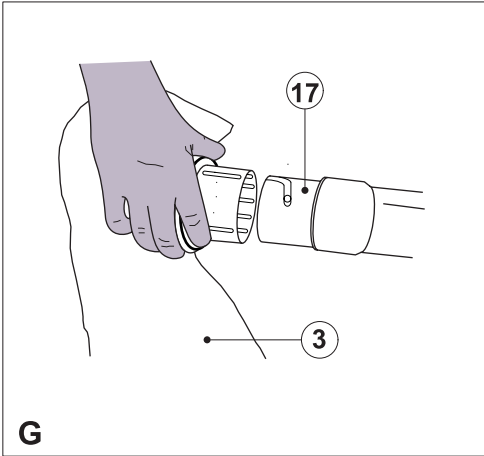
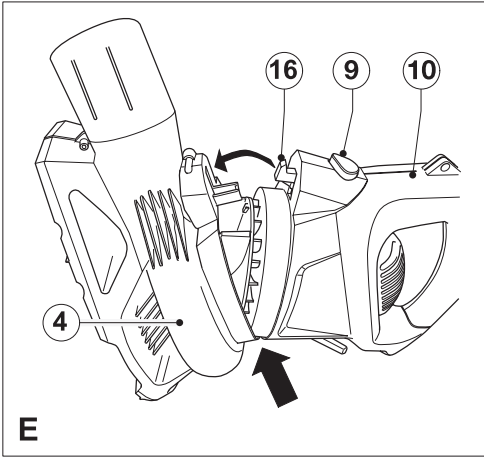
EN



www.blackanddecker.co.uk

GW2200





Intended use

Your Black & Decker blower vac has been designed for leaf clearing. This appliance is intended for consumer and outdoor use only.

General appliance safety warnings



Warning! When using mains-powered/cordless appliances, basic safety precautions, including the following, should always be followed to reduce the risk of fire, electric shock, personal injury and material damage.

- ◆ Read all of this manual carefully before using the appliance, be familiar with the controls and the proper use of the appliance.
- ◆ The intended use is described in this manual. The use of any accessory or attachment or the performance of any operation with this appliance other than those recommended in this instruction manual may present a risk of personal injury.

The term "appliance" in all of the warnings listed below refers to your mains operated (corded) appliance or battery operated (cordless) appliance.

Save all warnings and instructions for future reference.

Using your appliance

- ◆ Always take care when using the appliance.
- ◆ Keep work area clean and well lit. Cluttered or dark areas invite accidents.
- ◆ Only use the appliance in daylight or good artificial light.
- ◆ Do not operate your appliance in explosive atmospheres, such as in the presence of flammable liquids, gases or dust.
- ◆ Never allow children or people unfamiliar with the instructions to use the appliance, local regulations may restrict the age of the operator.
- ◆ Do not allow children or animals to come near the work area or touch the appliance supply cord.
- ◆ Keep children, bystanders and animals away while operating an appliance. Distractions can cause you to lose control.
- ◆ The appliance is not to be used as a toy.
- ◆ Do not immerse the appliance in water.
- ◆ Do not open body casing. There are no userserviceable parts inside.

Personal safety

- ◆ Stay alert, watch what you are doing and use common sense when operating an appliance. Do not use an appliance while you are tired or under the influence of drugs, alcohol or medication. A moment of inattention

while operating an appliance may result in serious personal injury.

- ◆ Where required, use personal protective equipment. Protective equipment such as eye protection, dust mask, non-skid safety shoes, hard hat, or hearing protection used for appropriate conditions will reduce personal injuries.
- ◆ Prevent unintentional starting. Make sure that the switch is in the off-position before connecting to a power source and/or battery pack, picking up or carrying the appliance. Carrying appliances with your finger on the switch or energising appliances that have the switch on invites accidents.
- ◆ Do not overreach. Keep proper footing and balance at all times. This enables better control of the appliance in unexpected situations.
- ◆ Dress properly. Do not wear loose clothing or jewellery. Keep your hair, clothing and gloves away from moving parts. Loose clothes, jewellery or long hair can be caught in moving parts.

Appliance use and care

- ◆ Before use, check the appliance for damaged or defective parts. Check for breakage of parts, damage to switches and any other conditions that may affect its operation.
- ◆ Do not use the appliance if the switch does not turn it on and off. Any appliance that cannot be controlled with the switch is dangerous and must be repaired.
- ◆ Disconnect the plug from the power source and/or the battery pack from the appliance before making any adjustments, changing accessories, or storing appliances. Such preventive safety measures reduce the risk of starting the appliance accidentally.
- ◆ Where applicable, keep cutting tools sharp and clean. Properly maintained cutting tools with sharp cutting edges are less likely to bind and are easier to control.
- ◆ Do not use the appliance if any part is damaged or defective.
- ◆ Have any damaged or defective parts repaired or replaced by an authorised repair agent.
- ◆ Never attempt to remove or replace any parts other than those specified in this manual.

Electrical safety

- ◆ Appliance plugs must match the outlet. Never modify the plug in any way. Do not use any adapter plugs with earthed (grounded) appliance. Unmodified plugs and matching outlets will reduce risk of electric shock.
- ◆ Do not expose appliance to rain or wet conditions. Water entering a appliance will increase the risk of electric shock.
- ◆ Do not abuse the cord. Never use the cord for carrying, pulling or unplugging the appliance. Keep cord away from

heat, oil, sharp edges or moving parts. Damaged or entangled cords increase the risk of electric shock.

- ◆ When operating an appliance outdoors, use an extension cord suitable for outdoor use. Use of a cord suitable for outdoor use reduces the risk of electric shock.
- ◆ If operating an appliance in a damp location is unavoidable, use a Residual Current Device (RCD) protected supply. Use of an RCD reduces the risk of electric shock.

After Use

- ◆ When not in use, the appliance should be stored in a dry, well ventilated place out of the reach of children.
- ◆ Children should not have access to stored appliances.
- ◆ When the appliance is stored or transported in a vehicle it should be placed in the boot or restrained to prevent movement following sudden changes in speed or direction.

Service

- ◆ Have your appliance serviced by a qualified repair person using only identical replacement parts. This will ensure that the safety of the appliance is maintained.

Additional Safety instructions for blow vacs

The intended use is described in this manual. The use of any accessory or attachment or performance of any operation with this appliance other than those recommended in this instruction manual **ca** present a risk of personal injury and/or damage to property.

- ◆ To protect your feet and legs while operating the appliance, always wear heavy duty footwear and long trousers.
- ◆ Do not use in vacuum mode without the vacuum tubes and collection bag in place.
- ◆ Always switch off your product, allow the fan to stop and remove the plug from the socket when:
 - Changing from blower to vacuum.
 - The supply cable has become damaged or entangled.
 - You leave your product unattended.
 - Clearing a blockage.
 - Checking, adjusting, cleaning or working on your product.
 - If the appliance starts to vibrate abnormally.
- ◆ Do not place the inlet or outlet of the vacuum near eyes or ears when operating. Never blow debris in the direction of bystanders.
- ◆ Do not use in the rain or leave outdoors while it is raining.
- ◆ Do not cross gravel paths or roads whilst your product is switched on during blow/vac mode. Walk, never run.
- ◆ Do not place your unit down on gravel while it is switched on.

- ◆ Always be sure of your footing, particularly on slopes. Do not overreach and keep your balance at all times.
- ◆ Do not pick up matter that may be contaminated with flammable or combustible liquids such as gasoline, or use in areas where they might be present.
- ◆ Do not place any objects into the openings. Never use if the openings are blocked - keep free of hair, lint, dust and anything that may reduce the airflow.

Warning! Always use your product in the manner outlined in this manual. Your product is designed to be used in an upright mode and if it is used in any other way it may result in injury. Never run your product whilst lying on it's side or upside down.

- ◆ The operator or user is responsible for accidents or hazards occurring to other people or their property.
- ◆ Do not carry the appliance by the cable.
- ◆ Always direct the cable to the rear away from the appliance.

Warning! If a cord becomes damaged during use, disconnect the supply cord from the mains supply immediately. Do not touch the supply cord before disconnecting the supply.

- ◆ Do not use solvents or cleaning fluids to clean your product. Use a blunt scraper to remove grass and dirt.
- ◆ Check the collection bag frequently for wear or deterioration.
- ◆ Replacement fans are available from a Black & Decker service agent. Use on Black & Decker recommended spare parts and accessories.
- ◆ Keep all nuts bolts and screws tight to make sure that the appliance is in a safe working condition.

Safety of others

- ◆ This appliance is not intended for use by persons (including children) with reduced physical, sensory or mental capabilities, or lack of experience and knowledge, unless they have been given supervision or instruction concerning use of the appliance by a person responsible for their safety.
- ◆ Children should be supervised to ensure that they do not play with the appliance.

Electrical safety



This appliance is double insulated; therefore no earth wire is required. Always check that the power supply corresponds to the voltage on the rating plate.

- ◆ If the supply cord is damaged, it must be replaced by the manufacturer or an authorised Black & Decker Service Centre in order to avoid a hazard.
- ◆ Electric safety can be further improved by using a high sensitivity 30 mA Residual Current Device (RCD).

Using an extension cable

Always use an approved extension cable suitable for the power input of this tool (see technical data). The extension cable must be suitable for outdoor use and marked accordingly. Up to 30 m of 1.5 mm² HO5V V-F extension cable can be used without loss of product performance. Before use, inspect the extension cable for signs of damage, wear and ageing. Replace the extension cable if damaged or defective. When using a cable reel, always unwind the cable completely.

Residual risks.

Additional residual risks may arise when using the tool which may not be included in the enclosed safety warnings. These risks can arise from misuse, prolonged use etc.

Even with the application of the relevant safety regulations and the implementation of safety devices, certain residual risks can not be avoided. These include:

- ◆ Injuries caused by touching any rotating/moving parts.
- ◆ Injuries caused when changing any parts, blades or accessories.
- ◆ Injuries caused by prolonged use of a tool. When using any tool for prolonged periods ensure you take regular breaks.
- ◆ Impairment of hearing.
- ◆ Health hazards caused by breathing dust developed when using your tool (example:- working with wood, especially oak, beech and MDF.)

Labels on Appliance

The following pictograms are shown on the tool:



Warning! Read the manual prior to operation.



Wear safety glasses or goggles when operating this appliance.



Wear suitable ear protection when operating this appliance.



Do not expose the tool to rain or high humidity or leave outdoors while it is raining..



Switch off: remove plug from mains before cleaning or maintenance.



Keep bystanders away.



Features

1. On/off switch
2. Cable restraint
3. Collection bag
4. Blow clamshell
5. Blow tube
6. Scraper
7. Vacuum tube - lower
8. Vacuum tube - upper
9. Release button
10. Powerhead

Assembly



Warning! Before assembly, make sure that the appliance is switched off and unplugged.



Warning! Always wear protective gloves when working with your blow vac.

Vacuum tube assembly (fig. A)

The vacuum tubes must be assembled together before use.

Warning! Do not operate the appliance with the vacuum tubes separated.

- ◆ To ease assembly, apply a soapy water solution to the joint area.
- ◆ Align the notches (11) and the triangles (12) on the upper (8) and lower (7) vacuum tubes.
- ◆ Push the lower vacuum tube (7) firmly into the upper vacuum tube (8) until the triangles click into place.

Warning! Do not separate the tubes once assembled.

Blow tube assembly (fig. B)

The blow tube (5) must be assembled to the blow clamshell (4) before use.

- ◆ Align the circles (13) on the blow clamshell (4) and the blow tube (5).
- ◆ Push the blow tube (5) firmly onto the blow clamshell (4) until the circles (13) click into place.

Warning! Do not separate the tubes once assembled.

Use

Switching on and off (fig. C)

Warning! Use both hands to grip the product firmly when switching on.

- ◆ To switch the appliance on, slide the on/off switch (1.1) forward.

- ◆ To switch the appliance off, slide the on/off switch (1.2) back.

Cable restraint (fig. D)

A cable restraint (2) is incorporated into the rear of the powerhead.

- ◆ Loop the cable (14) through the cable restraint (2).

Using your product

Warning! When using as a blower or vacuum, always wear safety glasses. If using in dusty conditions, wear a filter mask as well.

Warning! Switch off your product, allow the fan to stop and remove the plug from the socket before carrying out any adjustment, servicing or maintenance.

Blow mode (fig. E and F)

- ◆ Attach the blow clamshell (4) and blow tube (5) to the powerhead (10) (Fig. E) by locating the blower clamshell (4) as indicated by the arrow, then pivot about this point and press the release button (9) until the catch (16) is fully engaged.
- ◆ Hold the blow tube approximately 180 mm above the ground, switch on the appliance and using a sweeping motion from side to side, advance slowly keeping the accumulated debris/leaves in front of you (fig. F).
- ◆ Once you have blown the debris/leaves into a pile, you can convert to vacuum mode to collect the debris.

Removing the blow/vacuum tube (fig. E)

- ◆ To disconnect the blow clamshell (4) or vacuum tube (8) from the powerhead (10), press the release button (9), making sure that the tube does not fall to the ground.
- ◆ The release button (9) will not operate if the on/off switch (1) is in the on position.

Vacuum mode (fig. G - I)

Note: For vacuuming/shredding, the collection bag (3) must be fitted.

- ◆ Attach the collection bag (3) to the vacuum outlet (17) using the bayonet fitting, (fig. G).
- ◆ Attach the vacuum assembly and tube to the powerhead (10) by locating the assembly as indicated by the arrow, then pivot about this point and press the release button (9) until the catch (16) is fully engaged.
- ◆ Place the strap (11) from the collection bag over your shoulder (fig. I) this will support the additional weight as the collection bag fills.
- ◆ Position the vacuum tube slightly above the debris/leaves. Switch on the appliance and use a sweeping motion; the debris/leaves will be sucked up the tube, shredded and thrown into the collection bag (fig. I).

- ◆ For stubborn debris/leaves your vacuum tube is fitted with a scraper (6). Use the scraper to loosen the debris and continue to vacuum as normal.
- ◆ As the bag fills, the power of the suction will decrease, switch off the appliance and unplug from the mains power supply.
- ◆ Unzip the bag to empty the contents before continuing to operate.

Warning! Warning! Never remove the collection bag without first turning off and unplugging the appliance.

Note: If the suction decreases and the bag is not full, the vacuum tube is probably clogged with debris. Turn off and unplug the vacuum and clear the tube before continuing.

Troubleshooting

| Problem | Possible solution |
|--------------------------------|---|
| Failure to operate | Check the connection to the power supply. |
| | Check the fuse in the plug, if blown, replace (UK only). |
| | Check that the blow/vacuum tube assembly is correctly fitted to the powerhead |
| | If the fuse continues to blow - immediately disconnect from the mains power supply and consult your local Black & Decker authorised repair agent. |
| Poor vacuum/high pitched whine | Switch off - disconnect from the mains power supply, debris should fall clear of the tube. |
| | Remove and empty the collection bag. |
| | Check that both the inlet and exit ports on the vacuum tube are clear. |
| | Remove any debris from the fan area. |
| | If poor vacuuming continues - immediately disconnect from the mains power supply and consult your local Black & Decker authorised repair agent. |

| Problem | Possible solution |
|----------------|---|
| Poor shredding | Switch off - disconnect from the mains power supply and remove the collection bag. |
| | Remove the vacuum tube and inspect the fan. |
| | Clean any debris from the fan blades. |
| | If the fan is cracked or damaged, do not use - consult your local Black & Decker authorised repair agent. |

Protecting the environment



Separate collection. This product must not be disposed of with normal household waste.

Should you find one day that your Black & Decker product needs replacement, or if it is of no further use to you, do not dispose of it with household waste. Make this product available for separate collection.



Separate collection of used products and packaging allows materials to be recycled and used again. Re-use of recycled materials helps prevent environmental pollution and reduces the demand for raw materials.

Local regulations may provide for separate collection of electrical products from the household, at municipal waste sites or by the retailer when you purchase a new product.

Black & Decker provides a facility for the collection and recycling of Black & Decker products once they have reached the end of their working life. To take advantage of this service please return your product to any authorised repair agent who will collect them on our behalf.

You can check the location of your nearest authorised repair agent by contacting your local Black & Decker office at the address indicated in this manual. Alternatively, a list of authorised Black & Decker repair agents and full details of our after-sales service and contacts are available on the Internet at: www.2helpU.com

Technical data

| GW2200 | |
|-----------------|---------------------|
| Typ. 1 | |
| Voltage | V _{AC} 230 |
| Power | W 2200 |
| Capacity | l 35 |
| Weight (blower) | kg 3.1 |
| Weight (Vacuum) | kg 4.0 |

Hand/Arm weighted vibration value according to EN 60745:

Vibration emission value (a_w) 7.4 m/s², uncertainty (K) 1.5 m/s²

Maintenance

Your Black & Decker appliance has been designed to operate over a long period of time with a minimum of maintenance. Continuous satisfactory operation depends upon proper appliance care and regular cleaning.

- ◆ Keep the appliance clean and dry.
- ◆ Remove any leaves stuck to the inside of the vacuum tube.
- ◆ Regularly clean the ventilation slots with a clean, dry paint brush.
- ◆ Regularly clean the collection bag and ensure that it is clean and empty after each use..
- ◆ To clean the appliance, use only mild soap and a damp cloth. Never let any liquid get inside the tool and never immerse any part of the tool into liquid. Do not use any abrasive or solvent-based cleaner.
- ◆ Self lubricating bearings are used in your product, therefore lubrication is not required.

Mains plug replacement (U.K. & Ireland only)

If a new mains plug needs to be fitted:

- ◆ Safely dispose of the old plug.
- ◆ Connect the brown lead to the live terminal in the new plug.
- ◆ Connect the blue lead to the neutral terminal.

Warning! No connection is to be made to the earth terminal.

Follow the fitting instructions supplied with good quality plugs. Recommended fuse: 13 A.

EC declaration of conformity

MACHINERY DIRECTIVE
OUTDOOR NOISE DIRECTIVE



GW2200

Black & Decker declares that these products described under "technical data" are in compliance with:
2006/42/EC, EN 60335

2000/14/EC, Blow Vac, Annex V
KEMA Quality B.V., Utrechtseweg 310, 6802 ED Arnhem,
The Netherlands
Notified Body ID No.: 0344

Level of acoustic power according to 2000/14/EC
(Article 13, Annex III):
 L_{WA} (measure sound power) 103.1 dB(A)
Uncertainty = 3 dB(A)
 L_{WA} (guaranteed sound power) 104 dB(A)
Uncertainty = 3 dB(A)

These products also comply with directive 2004/108/EC.
For more information, please contact Black & Decker at the following address or refer to the back of the manual.

The undersigned is responsible for compilation of the technical file and makes this declaration on behalf of Black & Decker.

Kevin Hewitt
Vice-President Global Engineering
Black & Decker Europe, 210 Bath Road, Slough,
Berkshire, SL1 3YD
United Kingdom
01/02/2010

Guarantee

Black & Decker is confident of the quality of its products and offers an outstanding guarantee. This guarantee statement is in addition to and in no way prejudices your statutory rights. The guarantee is valid within the territories of the Member States of the European Union and the European Free Trade Area.

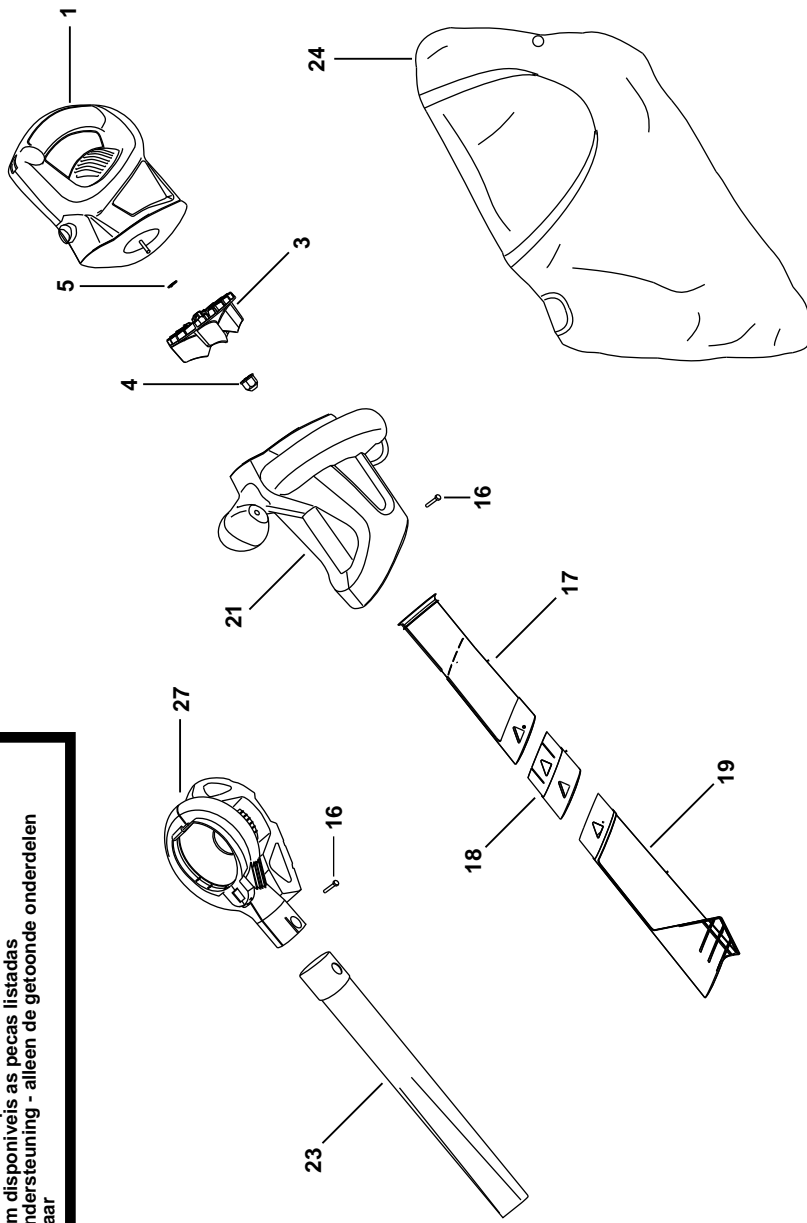
If a Black & Decker product becomes defective due to faulty materials, workmanship or lack of conformity, within 24 months from the date of purchase, Black & Decker guarantees to **replace defective parts, repair products subjected to fair wear and tear or replace such products to ensure minimum inconvenience to the customer unless:**

- ◆ The product has been used for trade, professional or hire purposes;
- ◆ The product has been subjected to misuse or neglect;
- ◆ The product has sustained damage through foreign objects, substances or accidents;
- ◆ Repairs have been attempted by persons other than authorised repair agents or Black & Decker service staff.

To claim on the guarantee, you will need to submit proof of purchase to the seller or an authorised repair agent. You can check the location of your nearest authorised repair agent by contacting your local Black & Decker office at the address indicated in this manual. Alternatively, a list of authorised Black & Decker repair agents and full details of our after-sales service and contacts are available on the Internet at: www.2helpU.com

Please visit our website www.blackanddecker.co.uk to register your new Black & Decker product and to be kept up to date on new products and special offers. Further information on the Black & Decker brand and our range of products is available at www.blackanddecker.co.uk

Partial support - Only parts shown available
Nur die aufgeführten teile sind lieferbar
Reparation partielle - Seules les pieces indiquees sont disponibles
Supporto parziale - Sono disponibili soltanto le parti evidenziate
Solo estan disponibles las piezas listadas
So se encontram disponibles as pecas listadas
Gedeeltelijke ondersteuning - alleen de getoonde onderdelen
zijn beschikbaar



ENGLISH

Do not forget to register your product!

www.blackanddecker.co.uk/productregistration

Register your product online at www.blackanddecker.co.uk/productregistration or send your name, surname and product code to Black & Decker in your country.

Australia

Black & Decker (Australia) Pty. Ltd.
20 Fletcher Road, Mooroolbark,
Victoria, 3138

Tel. 03-8720 5100

Fax 03-9727 5940

New Zealand

Black & Decker
5 Te Apunga Place
Mt Wellington
Auckland 1060

Tel. +64 9 259 1133

Fax +64 9 259 1122

United Kingdom

Black & Decker
210 Bath Road
Slough, Berkshire SL1 3YD

Tel. 01753 511234

Fax 01753 551155

Helpline 01753 574277

Importante: addendum per il manuale di istruzioni.

Black & Decker è impegnata a fornire prodotti sicuri di altissima qualità. Durante la lettura del manuale di istruzioni, si prega di tenere presente le seguenti correzioni.

Attenzione! Conservare il presente documento insieme al manuale di istruzioni per consultazioni future.

Montaggio e smontaggio del coperchio per il transito.

L'elettrodomestico è fornito con coperchio per il transito e per riporlo.

Il coperchio (1) deve essere smontato prima di assemblare il prodotto. Il coperchio (1) deve essere conservato e rimontato prima di riporre il prodotto.

Important - Addendum au manuel d'instructions.

Black & Decker s'engage à fournir des produits sûrs et de qualité supérieure. Veuillez noter les corrections suivantes pour la consultation du manuel d'instructions.

Attention ! Conservez ce document avec le manuel d'instructions à titre de référence future.

Installation et retrait du cache.

L'outil est doté d'un cache pour le transport et d'un cache pour le rangement.

Le cache (1) doit être retiré avant le montage. Le cache (1) doit être conservé, puis réinstallé avant le rangement du produit.

Belangrijk - Addendum bij handleiding.

Black & Decker richt zich op leveren van veilige producten van hoge kwaliteit. Neem de volgende correcties in acht wanneer u de handleiding leest.

Waarschuwing! Bewaar dit document bij de handleiding voor toekomstig gebruik.

De transportkap plaatsen en verwijderen.

Het gereedschap is voorzien van een transport- en opbergkap.

De kap (1) moet worden verwijderd voordat u het product monteert. De kap (1) moet worden bewaard en opnieuw geplaatst wanneer u het product opbergt.

Importante - Apéndice al manual de instrucciones.

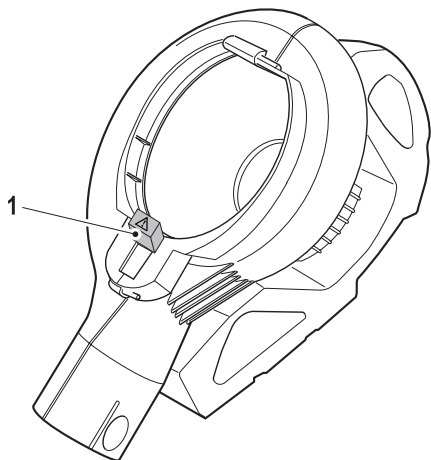
Black & Decker se compromete a ofrecer productos seguros de alta calidad. Tenga en cuenta las siguientes correcciones al leer el manual de instrucciones.

¡Atención! Conserve este documento con el manual de instrucciones para consultas posteriores.

Colocación y extracción de la tapa de viaje.

La herramienta se suministra con una tapa de viaje y almacenamiento.

La tapa (1) debería extraerse antes de montar el producto. La tapa (1) debería conservarse para volverla a colocar antes de almacenar el producto.

**Important - Addendum to instruction manual.**

Black & Decker is committed to providing high quality safe products. Please note the following corrections when reading the instruction manual.

Warning! Retain this document with the instruction manual for future reference.

Fitting and removing the transit cap.

The tool is supplied with transit and storage cap.

The cap (1) should be removed before assembling the product. The cap (1) should be kept and re-fitted before storage of the product.

Wichtig - Anhang zur Bedienungsanleitung.

Black & Decker setzt sich dafür ein, qualitativ hochwertige und sichere Produkte herzustellen. Beachten Sie beim Lesen der Bedienungsanleitung bitte folgende Korrekturen.

Achtung! Bewahren Sie dieses Dokument mit der Bedienungsanleitung zur künftigen Bezugnahme auf.

Anbringen und Entfernen der Transportsicherung.

Das Gerät verfügt über eine Transport- und Lager-sicherung.

Die Sicherung (1) muss vor der Montage des Produkts entfernt werden. Die Sicherung (1) muss aufbewahrt und vor der Lagerung des Produkts wieder angebracht werden.

PORTUGUÊS

(Tradução das instruções originais)

Importante - Adenda ao manual de instruções.

A Black & Decker empenha-se em fornecer produtos seguros de elevada qualidade. Por favor, tenha em atenção as seguintes correções aquando da leitura do manual de instruções.

Advertência! Guarde este documento juntamente com o manual de instruções para futura consulta.

Instalar e remover a tampa de transporte.

A ferramenta é fornecida com uma tampa de transporte e armazenamento.

A tampa (1) deve ser retirada antes da montagem do produto. A tampa (1) deve ser guardada e colocada antes do armazenamento do produto.

SVENSKA

(Översättning av originalanvisningarna)

Viktigt - Tillägg till bruksanvisningen.

Black & Decker har förpliktat sig att leverera säkra produkter av hög kvalitet. Var vänlig observera följande korrigeringar när du läser bruksanvisningen.

Varning! Spara detta tillägg tillsammans med bruksanvisningen för framtida behov.

Montering och borttagning av transportskyddet.

Verktyget levereras med transport- och förvaringsskydd. Skyddet (1) bör tas bort innan produkten sätts ihop. Skyddet (1) bör sparas och återmonteras innan förvaring av produkten.

NORSK

(Oversettelse av de opprinnelige instruksjonene)

Viktig – tillegg til bruksanvisningen.

Black & Decker bestreber seg på å levere sikre produkter av høy kvalitet. Vennligst merk deg følgende korrigeringer når du leser bruksanvisningen.

Advarsel! Ta vare på dette dokumentet med bruksanvisningen for fremtidig referanse.

Sette på og ta av transporthetten.

Produktet er utstyrt med en hette for transport og oppbevaring.

Hetten (1) skal fjernes før du monterer produktet. Ta vare på hetten (1), og sett den på igjen før produktet oppbevares.

DANSK

(Oversættelse af de oprindelige instruktioner)

Vigtigt - Tilføjelse til bruksanvisningen.

Black & Decker bestræber sig på at producere produkter af høj kvalitet.

Tag venligst hensyn til følgende rettelser, når du læser brugsanvisningen.

Advarsel! Opbevar dette dokument sammen med brugsanvisningen til fremtidig brug.

Påsætning og fjernelse af transporthætten.

Værktøjet leveres med transport- og opbevaringshætte. Hætten (1) skal fjernes, før produktet samles. Hætten (1) må ikke smides ud og skal påsættes igen, før produktet stilles til opbevaring.

SUOMI

(Alkuperäisten ohjeiden käännös)

Tärkeää - Lisäys käyttöohjeisiin.

Black & Decker on sitoutunut tarjoamaan laadukkaita ja turvallisia tuotteita. Huomaa seuraavat korjaukset käyttöoppaan tietoja lukiessa.

Varoitus! Säilytä tämä asiakirja yhdessä käyttöoppaan kanssa tulevia käyttökertoja varten.

Kuljetustulpan kiinnittäminen ja irrottaminen

Työkalu toimitetaan kuljetus- ja säilytystulpan mukana.

Tulppa (1) on irrotettava ennen tuotteen kokoamista.

Tulppa (1) on laitettava talteen ja kiinnitettävä ennen tuotteen säilytystä.

ΕΛΛΗΝΙΚΑ

(Μετάφραση των πρωτότυπων οδηγιών)

Σημαντικό - Πρόσθετο στο εγχειρίδιο χρήσης.

Η Black & Decker δεσμεύεται στην παροχή ασφαλών

προϊόντων υψηλής ποιότητας. Παρακαλούμε να

προσέχετε τις διορθώσεις που ακολουθούν ενώ διαβάζετε το εγχειρίδιο χρήσης.

Προειδοποίηση! Κρατήστε αυτό το έγγραφο με το εγχειρίδιο χρήσης για μελλοντική αναφορά.

Τοποθέτηση και αφαίρεση του καλύμματος μεταφοράς.

Το εργαλείο παρέχεται με καλύμματα μεταφοράς και αποθήκευσης.

Το κάλυμμα (1) πρέπει να αφαιρεθεί [πριν συναρμολογηθεί το προϊόν. Το κάλυμμα (1) πρέπει να φυλαχτεί και να επανατοποθετηθεί πριν από την αποθήκευσή του προϊόντος.