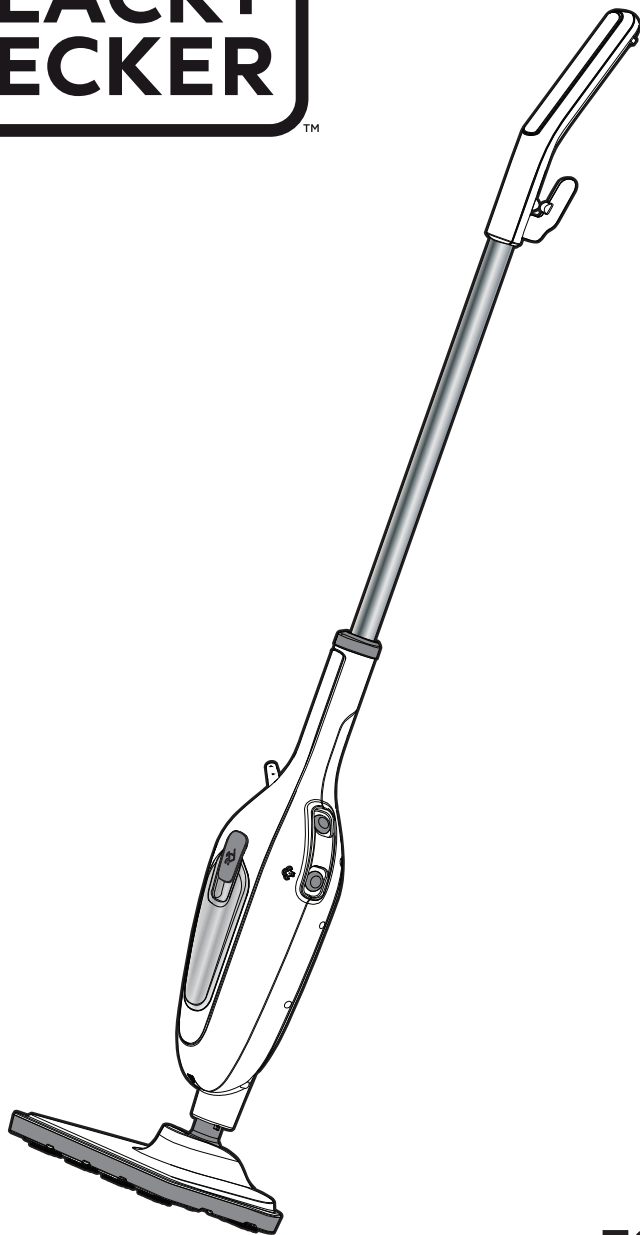
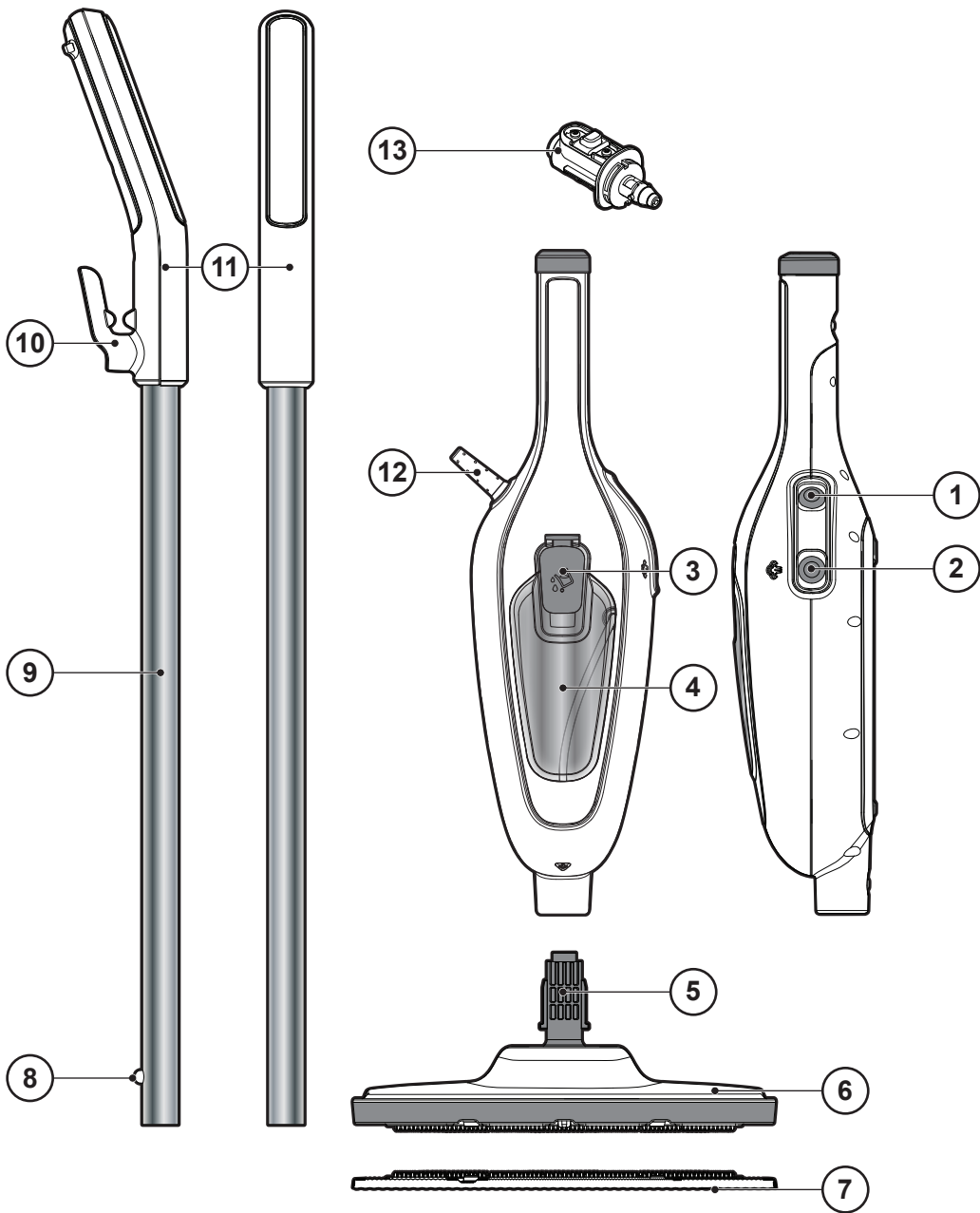


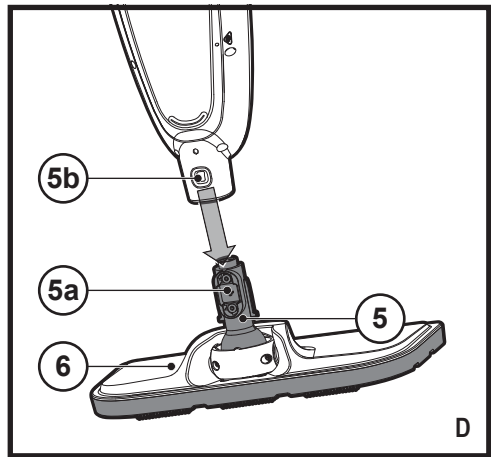
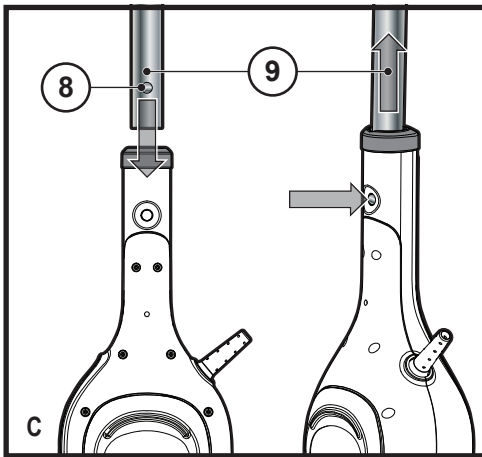
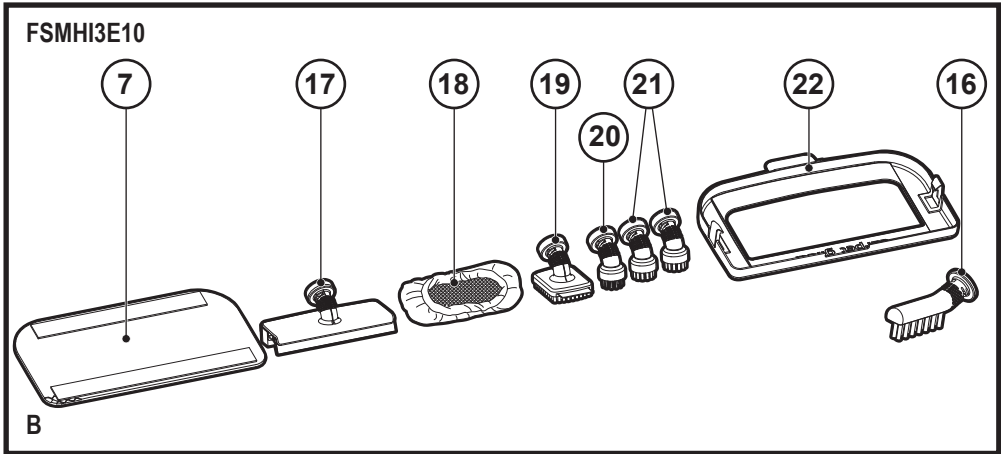
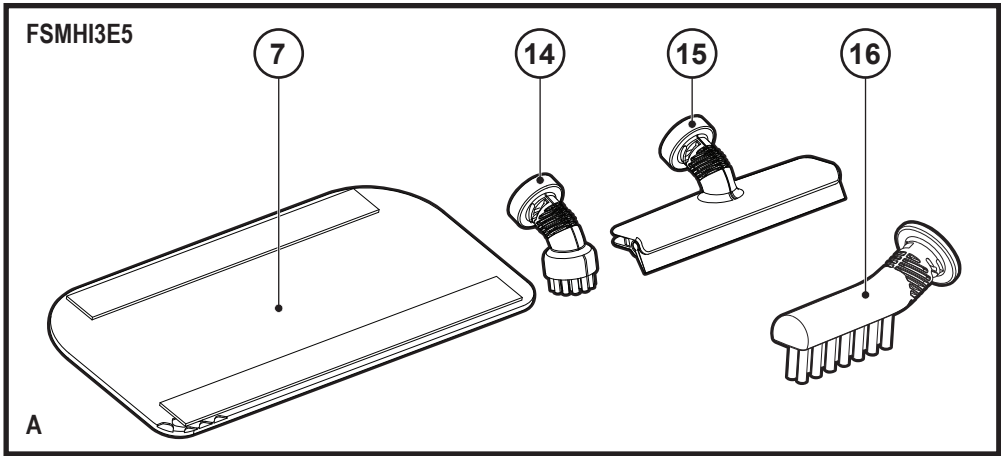
BLACK+
DECKER

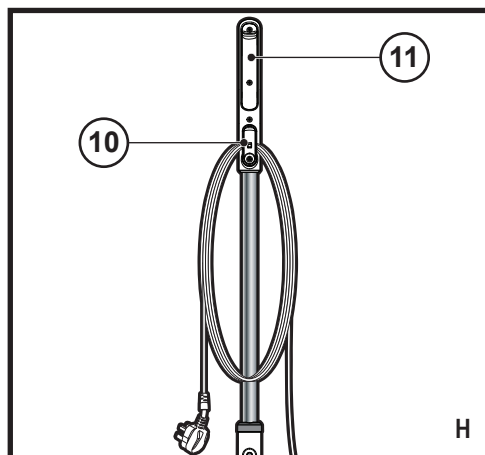
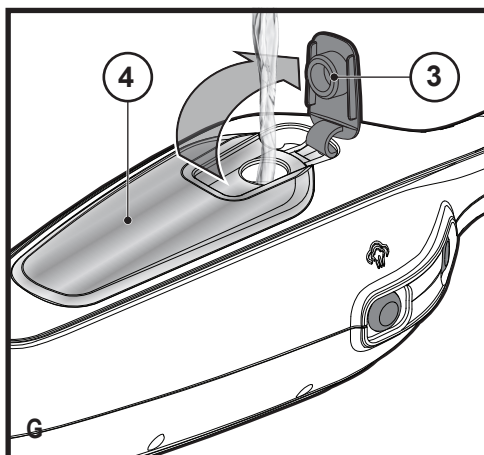
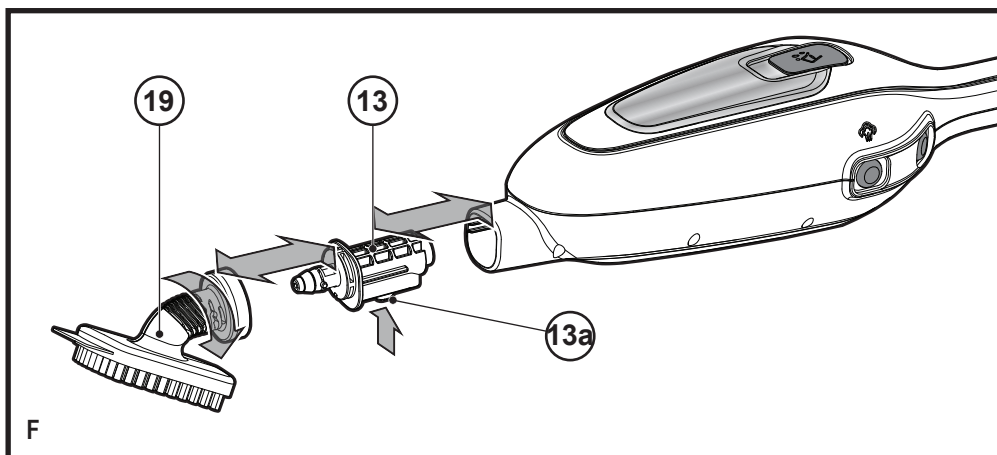
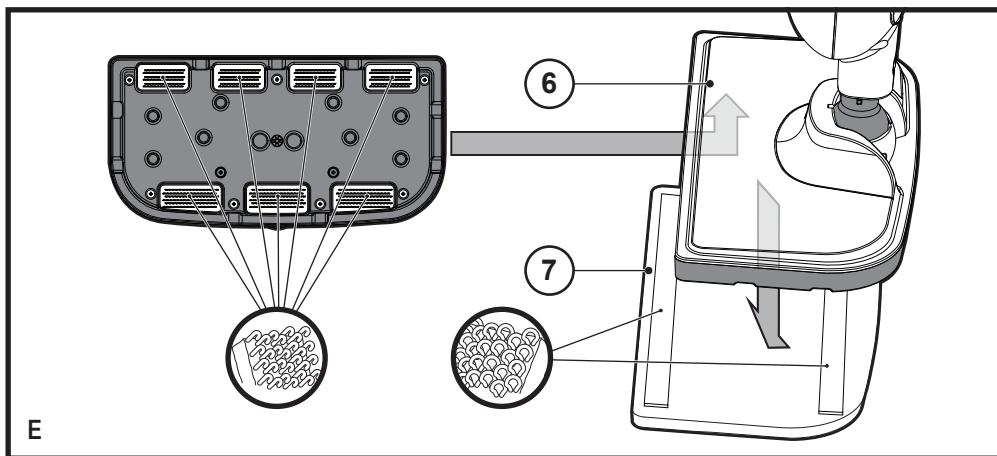


www.blackanddecker.co.uk

FSMH13E5
FSMH13E10







Intended use

Your BLACK+DECKER™ FSMH13E5, FSMH13E10 steam mop has been designed for sanitising and cleaning sealed hardwood, sealed laminate, linoleum, vinyl, ceramic tile, stone and marble floors. This appliance is intended for indoor household use only.

Safety Instructions



Warning! Read all Safety, Maintenance, Service' manual carefully before operating this appliance. Read all of this manual carefully before operating this appliance.

Safety of others

- ◆ This appliance can be used by children aged from 8 years and above and persons with reduced physical, sensory or mental capabilities or lack of experience and knowledge if they have been given supervision or instruction concerning use of the appliance in a safe way and understand the hazards involved.
- ◆ Children shall not play with the appliance. Cleaning and user maintenance shall not be made by children without supervision.
- ◆ If the supply cord is damaged, it must be replaced by the manufacturer, its service agent or similarly qualified persons in order to avoid a hazard.
- ◆ The plug must be removed from the socket-outlet before cleaning or maintaining the appliance.
- ◆ The liquid or steam must not be directed towards equipment containing electrical components, such as the interior of ovens.
- ◆ The appliance shall not be left unattended while it is connected to the supply mains;

- ◆ The appliance is not to be used if it has been dropped, if there are visible signs of damage or if it is leaking;
- ◆ Keep the appliance out of reach of children when it is energized or cooling down.

Labels on appliance

The following pictograms along with the date code are shown on the appliance.



CAUTION Hot Steam

Features

1. On/off switch
2. Steam operate button
3. Water tank access tab
4. Water tank
5. Steam head connector
6. Steam head
7. Steam head cleaning pad
8. Handle connector button
9. Handle
10. Cable tidy hook
11. Grip
12. Power cable
13. Accessory adaptor
14. Small brush (plastic bristles)
15. Small squeegee
16. Grout brush
17. Large squeegee
18. Sock pad for squeegee
19. Large brush (plastic bristles)
20. Small brush (copper bristles)
21. Small brush x2 (plastic bristles)
22. Carpet Glider

Assembly



Warning! Before attempting any of the following instructions, make sure that the appliance is switched off and unplugged and the appliance is cold and does not contain any water.

Attaching the handle (Fig. C)

- ◆ Slide the bottom end of the handle (9) into the top end of the steam mop body until the handle connector button (8) clicks into place.

Attaching the steam head (Fig. D)

- ◆ Connect the steam mop body to the steam head (6) via the steam head connector (5), ensuring the connection button (5a) clicks into place in the the opening (5b).

Attaching a cleaning pad (Fig. E)

Replacement cleaning pads are available from your BLACK+DECKER dealer :- (cat no. FSMP20-XJ).

- ◆ Place a cleaning pad (7) on the floor with the velcro 'loop' side facing up.
- ◆ Lightly press the steam mop down onto the cleaning pad (7).

Caution: Always place your steam mop with the handle (9) supported in the upright position when stationary and make sure the steam mop is turned off when not in use.

Removing a cleaning pad

Caution! Always wear suitable shoes when changing the cleaning pad on your steam mop. Do not wear slippers or open toed footwear.

- ◆ Return the handle (9) to the upright position and turn the steam mop 'OFF'.
- ◆ Wait until the steam mop cools down (approximately 5 minutes).
- ◆ Lift the steam mop away from the cleaning pad freeing it from the velcro fastening.

Caution! Always place your steam mop with the handle (9) supported in the upright position when stationary and make sure the steam mop is turned off when not in use.

Using as a hand held unit

- ◆ Disconnect the hand held unit from the steam head by pushing the connection button (5a) figure D.
- ◆ Remove the handle (9) from the hand held unit by pushing the handle connector button (8) figure C.

Fitting accessories (Fig. F)

- ◆ Fit the accessorie adaptor (13) into the main body of the unit ensuring the button (13a) clicks into the relevant opening.
- ◆ Attach the required accessorie to the accessorie adaptor (13) and twist clockwise to lock into place.

Filling the water tank (Fig. G)

Note! Fill the water tank with clean tap water.

Note! In areas of hard water, the use of de-ionised water is recommended.

- ◆ Open the water tank access tab (3).
- ◆ Fill the water tank (4) with water.

Warning! Your water tank has a 380ml capacity. Do not over fill the tank.

- ◆ Replace the water tank access tab.

Note! Ensure the water tank access tab is firmly secured.

Note! Do not use chemical cleaners with your steam mop water tank.

Use

Important! This unit will kill 99.9% of bacteria and germs when used in accordance with the instructions in this manual and with the micro fibre pad fitted and a continuous run time of 90 seconds.

Switching on and off

- ◆ To switch the appliance on, press the ON/Off button (1). It takes approximately 15 seconds for the steam mop to heat up.
- ◆ Press the steam operation button (2). This will operate the pump and the unit will begin to produce steam.
- ◆ To stop steam generation, turn the steam operation button (2) to off. This will maintain power to the boiler for quicker start up.
- ◆ To switch the appliance off, press the ON/Off button (1).

Caution! Never leave the steam mop in one spot on any surface for any period of time.

Always place the steam mop with the handle (9) supported in the upright position when stationary and make sure the steam mop is turned off when not in use.

Caution! Always empty the steam mop after use.

Note! When first filled or after running dry, it can take up to 45 seconds for steam to be produced.

Hints for optimum use

General

Caution: Never use the steam mop without first attaching a cleaning pad.

- ◆ Always vacuum or sweep the floor before using the steam mop.
- ◆ The easiest way to use the appliance is to tilt the handle to a 45° angle and clean slowly, covering a small area at a time.
- ◆ Do not use chemical cleaners with your steam mop. To remove stubborn stains from vinyl or linoleum floors, you can pre-treat with a mild detergent and some water before using the steam mop.

Steam Cleaning

- ◆ Place a cleaning pad (7) on the floor with the velcro 'loop' side facing up.
- ◆ Lightly press the steam mop down onto the cleaning pad (7).
- ◆ Connect the steam mop to the mains.
- ◆ Press the ON/OFF button (1). It takes approximately 15 seconds for the steam mop to heat up.

- ◆ Press the steam operate button (2). After a few seconds, steam will start to come out of the steam head.

Note! When first filled or after running dry, it can take up to 45 seconds for steam to be produced.

- ◆ It takes a few seconds for steam to enter the cleaning pad. The steam mop will now glide easily over the surface to be sanitized/cleaned.
- ◆ Push and pull the steam mop slowly across the surface to thoroughly steam clean each section.
- ◆ When you have finished using the steam mop, return the handle (9) to the upright position, making sure that it is supported and turn it 'OFF'. Wait until the steam mop cools down (approximately five minutes).

Caution! It is important to monitor the water level in the water tank (4). To refill the water tank and continue to sanitize/clean stand the mop upright making sure that the handle is supported and turn the steam mop 'OFF'. Unplug the unit from the electrical wall outlet, refill the water tank (4).

Caution! Never leave the steam mop in one spot on any surface for any period of time. Always place the steam mop with the handle (9) supported in the upright position when stationary and make sure the steam mop is turned off when not in use.

After use (Fig. H)

- ◆ Turn the steam mop 'OFF'. turn the steam operation button (2) to off and then press the ON/OFF button (1).
- ◆ Wait until the steam mop cools down.
- ◆ Unplug the steam mop from the electrical wall outlet.
- ◆ Empty the water tank.
- ◆ remove the cleaning pad (7) and wash it ready for next use.
- ◆ Wrap the power supply cable around the tidy hook (10).

Technical Data

		FSMH13E5	FSMH13E10
Voltage	V _{ac}	230	230
Power	W	1300	1300
Tank Capacity	ml	380	380
Weight	kg	1.8	1.8

Troubleshooting

If your appliance seems not to operate properly, follow the instructions below. If this does not solve the problem, please contact your local BLACK+DECKER repair agent.

Problem	Step	Possible solution
The steam mop is not turning on	1.	Check the unit is plugged in at the wall socket.
	2.	Check the unit is switched on using the ON/OFF switch (1)
	3.	Check the fuse in the plug.
The steam mop is not producing steam	4.	Check the water tank (4) is full . NOTE: When first filled or after running dry it can take up to 45 seconds for steam to be produced.
	5.	Check the steam generation button is in the ON position (2).
	6.	The steamer is equipped with a thermostat and a thermal cut-out. If for any reason the steamer overheats it will switch off. If this happens turn off and unplug the steamer, allow to cool for 2 to 4 hours and re-try.
Where can I get further information/ accessories for my steam mop	7.	Refer to the assembly chapter of the manual for correct fitting of parts and accessories.

Australia	Black & Decker (Australia) Pty. Ltd. 810 Whiethorse Road, Box Hill, Victoria, 3128	Tel. Fax	03-8720 5100 03-9727 5940
New Zealand	Black & Decker 39 Business Parade North, East Tamaki Heights, Auckland, 2013	Tel. Fax	+64 9 259 1133 +64 9 259 1122
United Kingdom & Republic Of Ireland www.blackanddecker.co.uk emeaservice@sbdinc.com	Black & Decker 210 Bath Road Slough, Berkshire SL1 3YD	Tel. Fax	01753 511234 01753 512365
