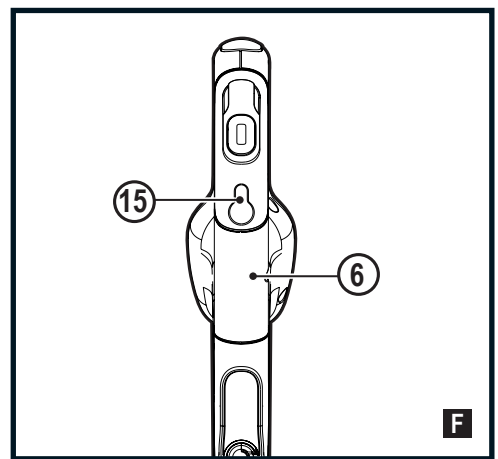
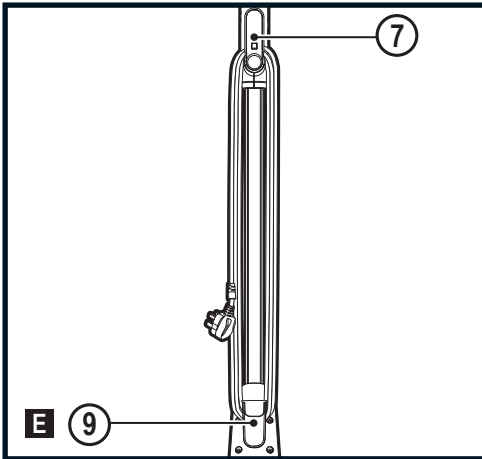
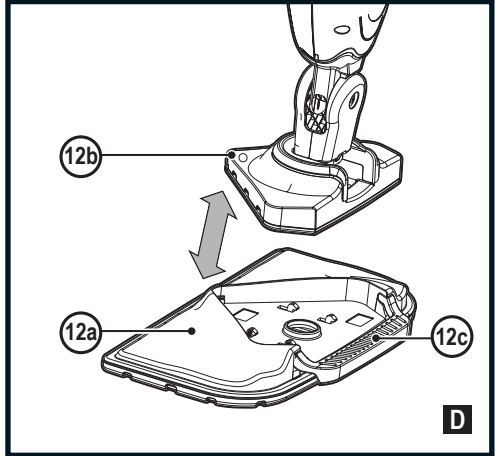
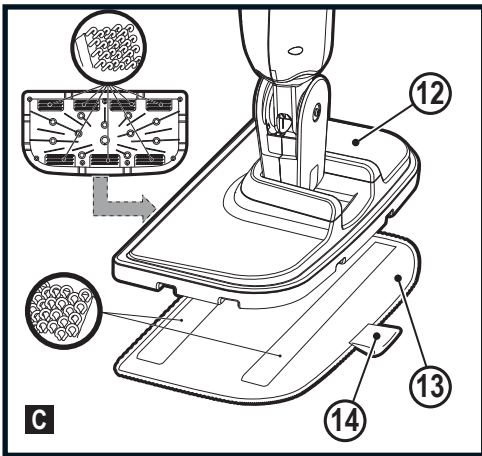
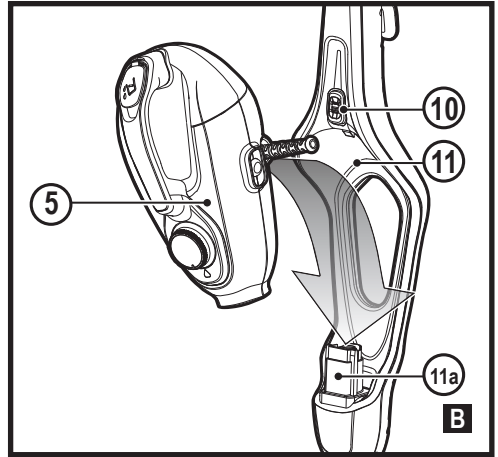
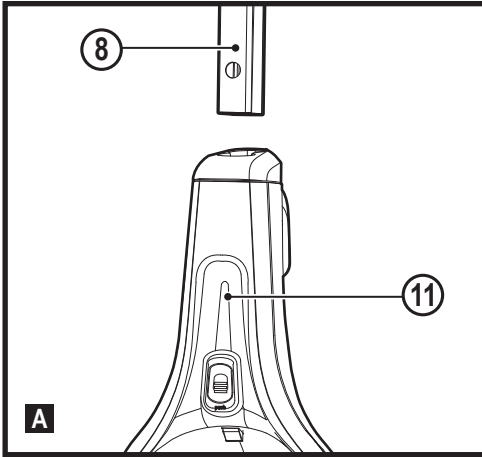
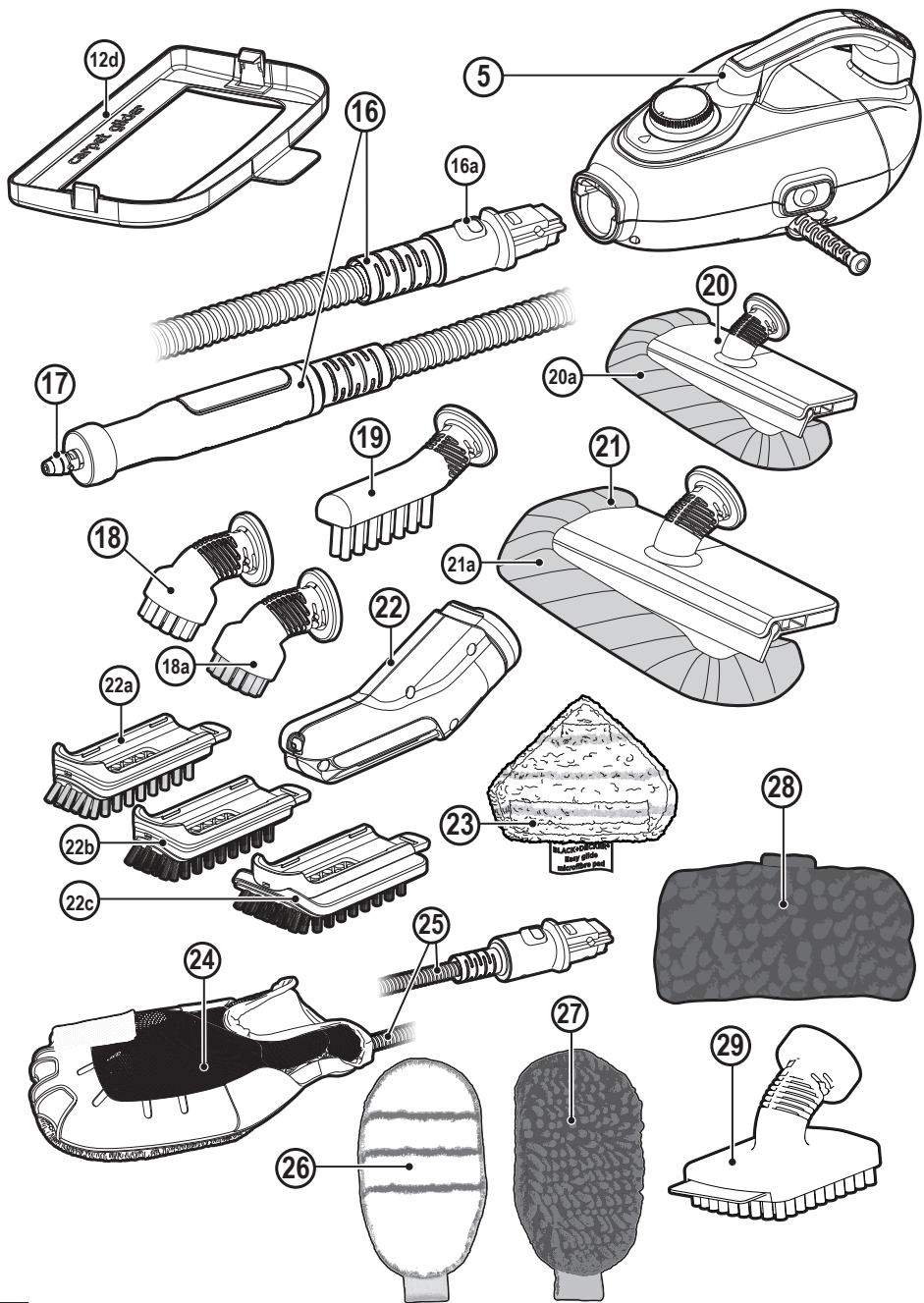


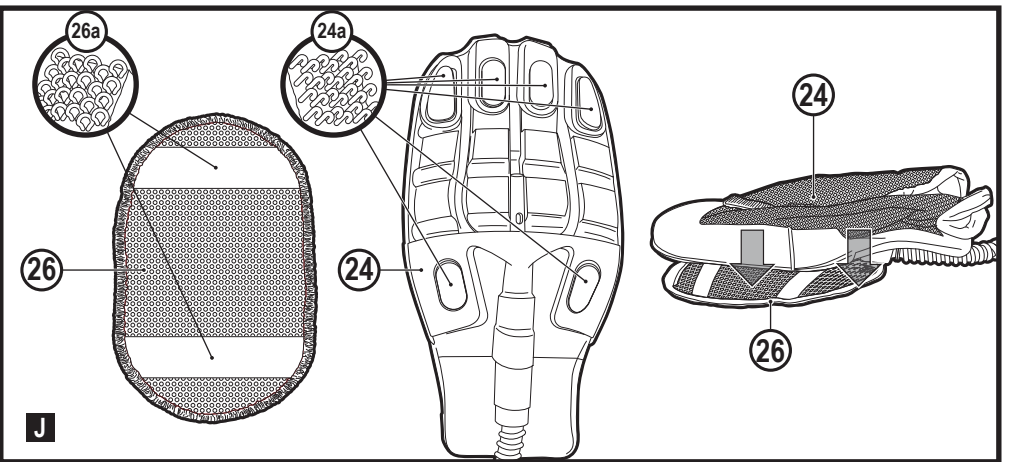
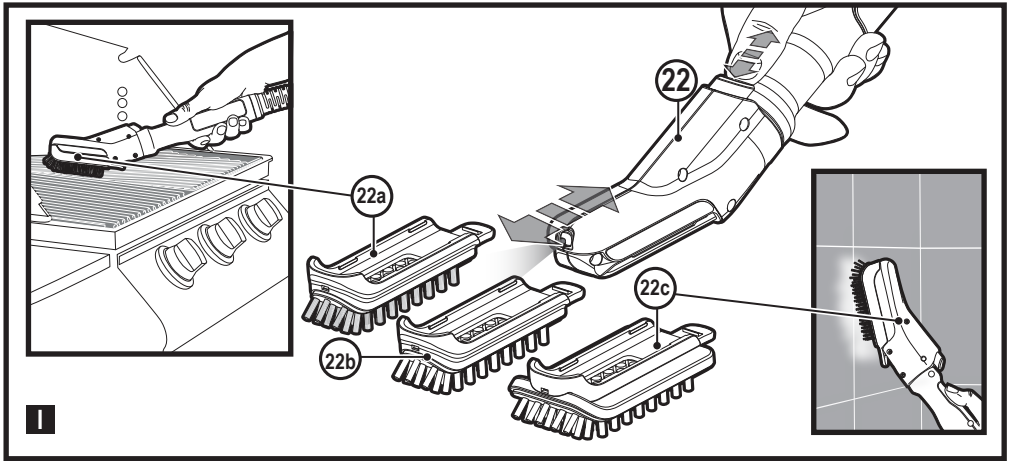
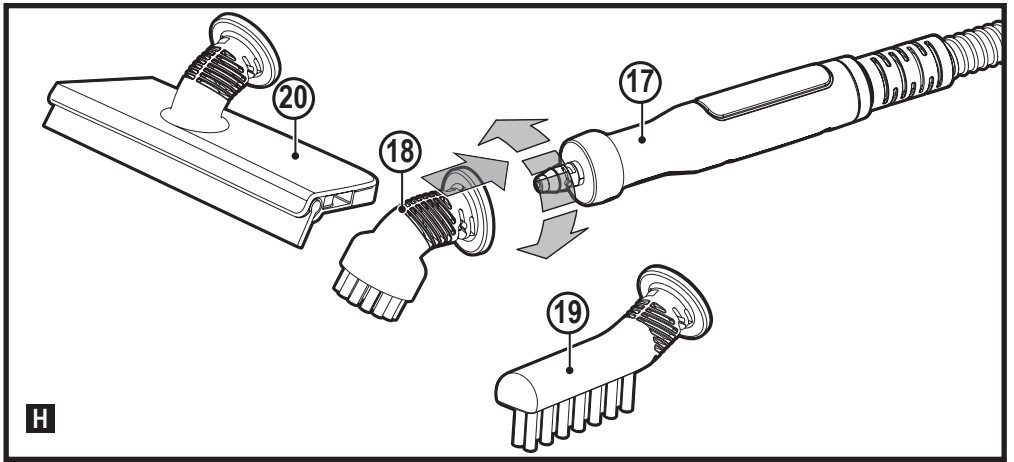
FSMH1321
BHSM166DSM
BHSM168D
BHSM168DSM
BHSM168U
BHSM169DSM
BHSM1610DSM
BHSM1615DSM
BHSM1615DSG
BHSM1615DAM

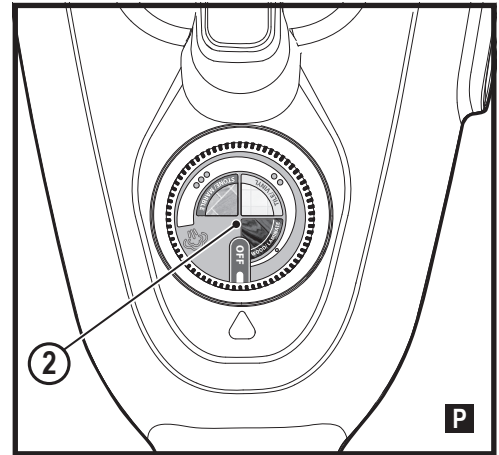
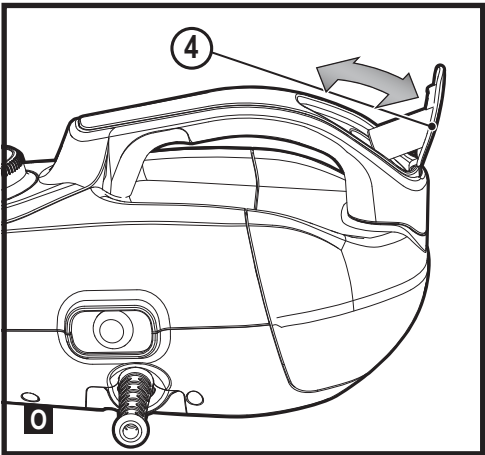
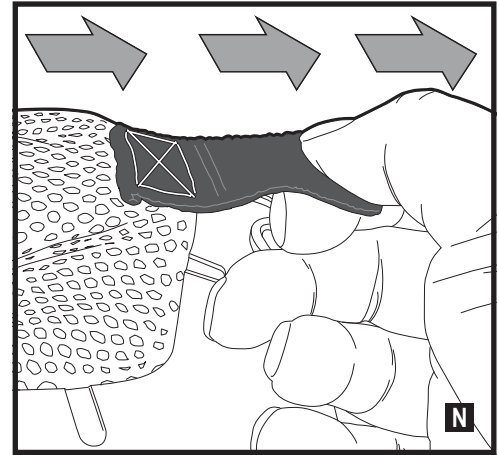
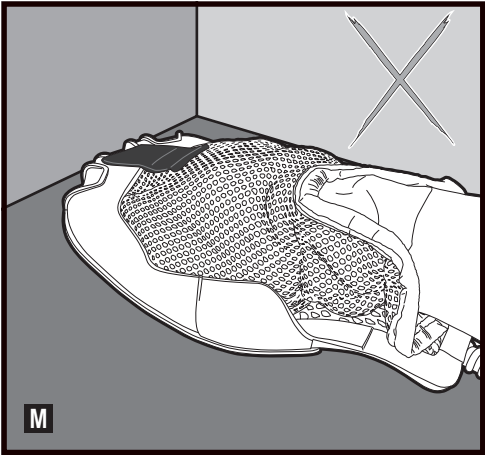
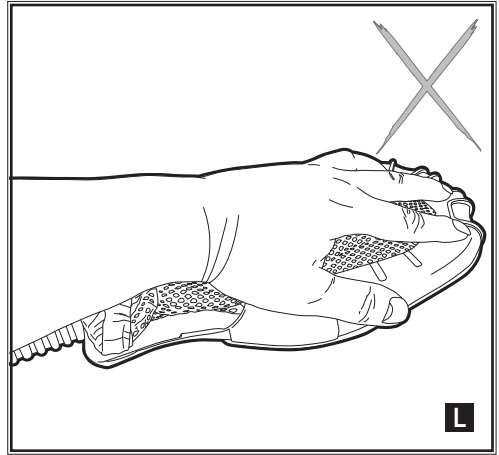
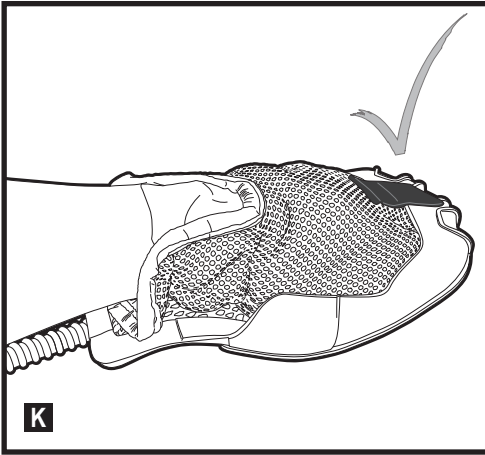
English (original instructions)	7
Deutsch (<i>übersetzt von den originalanweisungen</i>)	15
Français (<i>traduction de la notice d'instructions originale</i>)	26
Italiano (<i>tradotto dalle istruzioni originali</i>)	35
Nederlands (<i>vertaald vanuit de originele instructies</i>)	45
Español (<i>traducido de las instrucciones originales</i>)	55
Português (<i>traduzido das instruções originais</i>)	65
Svenska (<i>översatt från de ursprungliga instruktionerna</i>)	75
Norsk (<i>oversatt fra de originale instruksjonene</i>)	84
Dansk (<i>oversat fra original brugsvejledning</i>)	92
Suomi (<i>käännetty alkuperäisestä käyttöohjeesta</i>)	101
Ελληνικά (<i>μετάφραση από τις πρωτότυπες οδηγίες</i>)	110





G





Intended use

Your BLACK+DECKER™ FSMH1321, BHSM166DSM, BHSM168D, BHSM168DSM, BHSM168U, BHSM169DSM, BHSM1610DSM, BHSM1615DSM, BHSM1615DSG, BHSM1615DAM steam mop has been designed for sanitising and cleaning sealed hardwood, sealed laminate, linoleum, vinyl, ceramic tile, stone and marble floors. This appliance is intended for indoor household use only.

Safety Instructions



Warning! Read all safety warnings and all instructions.

Failure to follow the warnings and instructions listed below may result in electric shock, fire and/or serious injury.



Warning! When using mains-powered appliances, basic safety precautions, including the following, should always be followed to reduce the risk of fire, electric shock, personal injury and material damage.

- ◆ The intended use is described in this manual.
- ◆ The use of any accessory or attachment or the performance of any operation with this appliance other than those recommended in this instruction manual may present a risk of personal injury.
- ◆ Retain this manual for future reference.

Using your appliance

- ◆ Do not direct steam at people, animals, electrical appliances or electrical outlets.
- ◆ Do not expose to rain.
- ◆ Do not immerse the appliance in water.
- ◆ Do not leave the appliance unattended.

- ◆ Do not leave the appliance connected to an electrical outlet when not in use.
- ◆ Never pull the power lead to disconnect the appliance from the socket. Keep the appliance lead away from heat, oil and sharp edges.
- ◆ Do not handle steam cleaner with wet hands.
- ◆ Do not pull or carry by cord, use cord as a handle, close door on cord, pull cord around sharp corners or expose cord to heated surfaces.
- ◆ Do not use appliance in an enclosed space filled with vapour given off by oil-base paint thinner, some mothproofing substances, flammable dust, or other explosive or toxic vapours.
- ◆ Check the type of floor with the manufacturer.
- ◆ Do not use on leather, wax polished furniture or floors, synthetic fabrics, velvet or other delicate, steam sensitive materials.



Warning! Do not use on unsealed wood or unsealed laminate floors. On surfaces that have been treated with wax or some no wax floors, the sheen may be removed by the heat and steam action. It is always recommended to test an isolated area of the surface to be cleaned before proceeding. We also recommend that you check the use and care instructions from the floor manufacturer.

- ◆ Never put descaling, aromatic, alcoholic or detergent products into the steam cleaner, as this may damage it or make it unsafe for use.
- ◆ If the home circuit breaker activates while using the steam function, discontinue product use immediately and contact the customer support centre. (Beware of the risk of electrical shock.)
- ◆ The appliance emits very hot steam to sanitize the area of use. This means that the steam head, cleaning pads and carpet attachment get very hot during use.

Caution! Always wear suitable shoes when using your steam mop and when changing the accessories on your steam mop. Do not wear slippers or open toed footwear.

- ◆ The lid may become hot during use.
- ◆ Steam may escape from the appliance during use.

Care should be taken when using this appliance. DO NOT touch any parts which may become hot during use.

- ◆ Switch the appliance off and return the handle to the upright position before removing the water tank.
- ◆ If steam is observed escaping from the body of the hand held steam cleaner, switch off and disconnect the unit from the mains supply, allow to cool. Contact your nearest authorised repair agent. Do not continue to use the appliance.

After use

- ◆ Unplug the appliance and allow to cool before cleaning.
- ◆ When not in use, the appliance should be stored in a dry place.
- ◆ Children should not have access to stored appliances.

Inspection and repairs

- ◆ Unplug the appliance and allow to cool before performing any maintenance or repairs.
- ◆ Before use, check the appliance for damaged or defective parts. Check for breakage of parts, damage to switches and any other conditions that may affect its operation.
- ◆ Regularly check the power lead for damage.
- ◆ Do not use the appliance if any part is damaged or defective.
- ◆ Have any damaged or defective parts repaired or replaced by an authorized repair agent.
- ◆ Never attempt to remove or replace any parts other than those specified in this manual.

Safety of others

- ◆ This appliance can be used by persons with reduced physical, sensory or mental capabilities or lack of experience and knowledge if they have been given supervision or instruction concerning use of the appliance in a safe way and understand the hazards involved. Children shall not play with the appliance.

- ◆ Children should be supervised to ensure that they do not play with the appliance.
- ◆ The plug must be removed from the socket-outlet before cleaning or maintaining the appliance.
- ◆ The liquid or steam must not be directed towards equipment containing electrical components, such as the interior of ovens.
- ◆ The appliance shall not be left unattended while it is connected to the supply mains.
- ◆ The appliance is not to be used if it has been dropped, if there are visible signs of damage or it is leaking.
- ◆ Keep the appliance out of reach of children when it is energized or cooling down.
- ◆ Never point or direct the mitt at yourself or any other person.
- ◆ Care should be taken when using the appliance due to the emission of steam
- ◆ Unplug the appliance during filling and cleaning.
- ◆ The fabric steamer must not be left unattended while it is connected to the supply mains.
- ◆ The fabric steamer is not to be used if it has been dropped, if there are visible signs of damage or if it is leaking.
- ◆ keep the fabric steamer and its cord out of reach of children less than 8 years of age when it is energized or cooling down.

Residual risks

Additional residual risks may arise when using the tool which may not be included in the enclosed safety warnings. These risks can arise from misuse, prolonged use etc.

Even with the application of the relevant safety regulations and the implementation of safety devices, certain residual risks can not be avoided. These include:

- ◆ Injuries caused by touching any moving parts.
- ◆ Injuries caused by touching any hot parts.
- ◆ Injuries caused when changing any parts or accessories.
- ◆ Injuries caused by prolonged use of the appliance. When using any appliance for prolonged periods ensure you take regular breaks.

Electrical safety



Warning! Warning! This product must be earthed. Always check that the power supply corresponds to the voltage on the rating plate.

Power plugs must match the outlet.

Never modify the plug in any way.

Unmodified plugs and matching outlets will reduce risk of electric shock

- ◆ If the supply cord is damaged, it must be replaced by the manufacturer or an authorised BLACK+DECKER Service Centre in order to avoid a hazard.

Extension cables & Class 1 product

- A 3-core cable must be used as your appliance is earthed and of Class 1 construction.
- Always use an approved extension cable suitable for the power input of this appliance (see technical data). Up to 30m of 1.50mm² extension cable can be used without loss of product performance. Before use, inspect the extension cable for signs of damage, wear and ageing. Replace the extension cable if damaged or defective. When using a cable reel, always unwind the cable completely.

Labels on appliance

The following pictograms along with the date code are shown on the appliance.



CAUTION! Hot Steam



Water dripping when used upside down



Steam escapes from all sides



Do not leave unsupervised with young children



Hand wash only



CAUTION! Hot surface

Features

This appliance includes some or all of the following features.

1. On/off switch

2. Autoselect™ dial
3. Hand held steam unit handle
4. Filler cap
5. Hand held steam unit
6. Hand grip
7. Top cable tidy hook
8. Main handle
9. Bottom cable tidy hook
10. Hand held steam unit release button
11. Main body
12. Floor cleaning head
- 12a. Floor cleaning head with lift-out delta section
- 12b. Delta head
- 12c. Steam head removal tab
- 12d. Carpet glider (for use on carpets)
13. Floor cleaning pad
14. Floor cleaning pad release tab
15. Hanging Bracket
16. Steam hose
17. Steam nozzle
18. Angle brush accessory (for use on hard to remove stains)
- 18a. Angle brush (wire brush)
19. Brush accessory (for use on tiles / grout)
20. Squeegee accessory (for use on shower screens / glass / mirrors / clothing / upholstery)
- 20a. Squeegee sock
21. Large squeegee accessory (for use on shower screens / glass / mirrors / clothing / upholstery)
- 21a. Large squeegee sock
22. Steam burst brush unit
- 22a. Steam burst wire brush (for use on BBQ / ovens)
- 22b. Steam burst brush (for use on BBQ / ovens / oven hobs / taps / grout)
- 22c. Steam burst wide brush (for use on larger work surfaces)
23. Delta head cleaning pad.
24. SteaMitt™
25. SteaMitt™ hose
26. SteaMitt™ cleaning pad
27. SteaMitt™ cleaning pad 2
28. Ultra-absorbent floor cleaning pad
29. Large brush with built-in scraper

Configuration

	F S M H 1 3 2 1	B H S M 1 6 8 D	B H S M 1 6 8 U	B H S M 1 6 6 D S M	B H S M 1 6 8 D S M	B H S M 1 6 9 D S M	B H S M 1 6 1 0 D S M	B H S M 1 6 1 5 D S M	B H S M 1 6 1 5 D S G	B H S M 1 6 1 5 D A M	S E T T I N G S
12	✓										All
12a		✓	✓	✓	✓	✓	✓	✓	✓	✓	All
12d		✓	✓	✓	✓	✓	✓	✓	✓	✓	All
13	✓	✓	✓	✓	✓	✓	✓	✓	✓	✓	All
16	✓	✓	✓	✓	✓	✓	✓	✓	✓	✓	All
18	✓	✓	✓	✓		✓	✓	✓	✓		*
18a						✓		✓			...
19	✓	✓	✓	✓		✓	✓	✓	✓		...
20	✓			✓	✓		✓				*
20a	✓			✓	✓		✓				*
21		✓	✓			✓		✓	✓	✓	*
21a						✓		✓	✓	✓	*
22					✓		✓			✓	All
22a					✓		✓			✓	All
22b					✓		✓			✓	All
22c					✓		✓			✓	All
23		✓	✓	✓	✓	✓	✓	✓	✓	✓	All
24				✓	✓	✓	✓	✓	✓	✓	All
25				✓	✓	✓	✓	✓	✓	✓	All
26				✓	✓	✓	✓	✓	✓	✓	All
27								✓	✓	✓	All
28								✓	✓	✓	All
29								✓	✓		All

Assembly



Warning! Before attempting any of the following instructions, make sure that the appliance is switched off and unplugged and the appliance is cold and does not contain any water.

Attaching the handle (Fig. A)

- ◆ Slide the bottom end of the handle (8) into the top end of the steam mop body (11) until it clicks into place.

Attaching the hand held steam cleaner (Fig. B)

- ◆ Holding the back of the steam mop body (11) push the hand held steam cleaner (5) firmly into the steam mop body (11) making sure it sits correctly over the interface (11a) and clicks securely into place.

Removing the hand held steam cleaner (Fig. B)

- ◆ Push the release button (10) on the main body (11) and lift the hand held steam cleaner (5) off the interface (11a) and away from the main body (11).

Attaching a cleaning pad (Fig. C)

Replacement cleaning pads are available from your BLACK+DECKER dealer :- (cat no. FSMP20-XJ).

- ◆ Place a cleaning pad (13) on the floor with the velcro 'loop' side facing up.
- ◆ Lightly press the steam mop down onto the cleaning pad (13).

Note: This unit may be supplied with a standard floor cleaning head (12) or a steam burst cleaning head (12a). In either case use these instructions to fit a cleaning pad.

Caution! Never leave the steam mop in one spot on any surface for any period of time. Always place the steam mop with the handle (8) supported in the upright position when stationary and make sure the steam mop is turned off when not in use.

Removing a cleaning pad

Caution! Always wear suitable shoes when changing the cleaning pad on your steam mop.

Do not wear slippers or open toed footwear.

- ◆ Return the handle (8) to the upright position and turn the steam mop 'OFF'.
- ◆ Wait until the steam mop cools down (approximately 5 minutes).
- ◆ Lift the steam mop away from the cleaning pad freeing it from the velcro fastening.

Caution! Never leave the steam mop in one spot on any surface for any period of time.

Always place the steam mop with the handle (8) supported in the upright position when stationary and make sure the steam mop is turned off when not in use.

Filling the water tank (Fig. O)

Note! Fill the water tank with clean tap water (Do not use any additives or chemicals).

Note! In areas of hard water, the use of de-ionised water is recommended.

- ◆ Open the filler cap (4) by flipping it up.
- ◆ Fill the water tank with water (Do not use any additives or chemicals).

Warning! When filling, detach from main unit and maintain in a horizontal position.

Warning! Your water tank has a 0.5 litre capacity. Do not over fill the tank.

- ◆ Close the filler cap (4).

Note! Ensure the filler cap is firmly secured.

Attaching the carpet glider (12d) (For use on carpets only)

- ◆ Place the carpet glider (12d) on the floor.
- ◆ Attach a cleaning pad to the floor cleaning head (12, 12a)
- ◆ Lightly press the steam mop down onto the carpet glider (12d) until it clicks into place.

Caution! Never leave the steam mop in one spot on any surface for any period of time. Always place the steam mop with the handle (8) supported in the upright position when stationary and make sure the steam mop is turned off when not in use.

Removing the carpet glider

Caution! Always wear suitable shoes when changing the carpet glider on your steam mop. Do not wear slippers or open toed footwear.

- ◆ Return the handle (8) to the upright position and turn the steam mop 'OFF'.
- ◆ Wait until the steam mop cools down (approximately 5 minutes).
- ◆ Place the front of your shoe onto the carpet glider removal tab and press down firmly.
- ◆ Lift the steam mop up and off the carpet glider.

Caution! Never leave the steam mop in one spot on any surface for any period of time. Always place the steam mop with the handle (8) supported in the upright position when stationary and make sure the steam mop is turned off when not in use.

The Delta Head (Fig. D)

This steam mop incorporates a built-in delta head which enables you to access tight corners and narrow spaces.

Caution! Always wear suitable shoes when accessing the delta head on your steam mop. Do not wear slippers or open-toed footwear.

- ◆ Turn the steam-mop to 'OFF'
- ◆ Wait until the steam-mop cools down (approximately five minutes).
- ◆ Place the front of your shoe onto the steam head removal tab (12c) and press down gently.
- ◆ Lift the delta head (12b) up off the steam head (12a)
- ◆ Fit the delta head cleaning pad to the bottom of the delta head.

Note: Remove the cleaning pad before refitting the delta head to the steam head.

- ◆ To refit the Delta head, place the yip of the Delta head into the steam head then press down firmly ensuring that the Delta head clicks into place.

Attaching the hose and accessories to the hand held steam cleaner (Fig. G - M)

Warning! Inspect the seal between the connection point on the hand held steam cleaner (5) and the steam hose (16) before each use. If the seal malfunctions or is damaged, please contact your nearest authorised repair agent. Do not use the appliance.

Attaching the hose

- ◆ Press the steam hose release button (16a) on the steam hose (16).
- ◆ Connect the steam hose (16) to the hand held steam cleaner (5) and release the steam hose release button (16a) making sure it clicks into place.

Important! Ensure that the steam hose (16) is securely connected to the hand held steam cleaner (5). If steam escapes from the joint, the hose is incorrectly fitted. Switch off, allow the unit to cool then remove and refit the hose.

Attaching accessories (Fig H)

- ◆ Align the lugs on the steam nozzle (17) with the recesses on the accessory.
- ◆ Press the accessory onto the steam nozzle (17) and twist anti-clockwise until the accessory clicks into place.

Important! All accessories, apart from the SteaMitt™ (24) which has its own hose and connector (25), must be attached to the steam hose (16) for use.

Removing the hose and accessories

Warning! The steam hose (16), Steam nozzle (17) and accessories become hot during use. Allow the unit and all accessories to cool before attempting to remove.

Removing an accessory

- ◆ Twist the accessory clockwise then pull away from the hose (16).

Removing the hose

- ◆ Press the steam hose release button (16a) on the steam hose (16) and pull away from the hand held steam unit.

SteaMitt™

Your BLACK+DECKER™ SteaMitt™ has been designed for sanitising and cleaning tiles, work tops, kitchen surfaces and bathroom surfaces. This appliance is intended for indoor household use only.

Attaching the SteaMitt™ hose to the hand held steam unit

Warning! Inspect the seal on the steam nozzle and hose before each use. If the seal is missing or damaged then please contact your nearest authorised repair agent.

Do not use the appliance. Inspect the seal on the SteaMitt™ and hose. If the seal is missing, damaged or any steam is escaping then please contact your nearest authorised repair agent. **Do not use the appliance.** Ensure there is no blockage or impedance in the SteaMitt™ hose or attachment hose. If any are detected then please contact your nearest authorised repair agent. **Do not use the appliance.**

Fitting a cleaning pad to the SteaMitt™ (Fig. J)

Warning! Ensure there is no blockage or impedance in the steam release vents. If any are detected then please contact your nearest authorised repair agent. **Do not use the appliance.**

- ◆ Fit the cleaning pad (26) to the SteaMitt™ (24) by attaching the 'loop' velcro strips (26a) on the upper side of the cleaning pad, to the 'hook' velcro pads (24a) on the underside of the SteaMitt™ (24). Press down firmly.

Warning! The SteaMitt™ should not be used without fitting a cleaning pad.

Note: The SteaMitt™ accommodates 4 types of cleaning pads of varying thickness. Scouring pad (for use on tough stains and non delicate surfaces), Bathroom pad (for use on taps and other moulded bathroom surfaces), Standard pad (for use on all larger surfaces) and Polishing pad (for use on delicate surfaces).

⚠ **Warning!** Always use the SteaMitt™ as shown in figure M, with your hand inside the protective glove.

⚠ **Warning!** Never attempt to use the SteaMitt™ by gripping it externally as shown in figure N. This will result in scalding.

⚠ **Warning!** Avoid using the SteaMitt™ in tight corners as shown in figure O.

⚠ **Warning!** Should a problem occur during use, use the quick release tab to quickly remove the SteaMitt™ from your hand as shown in figure P.

⚠ **Warning!** Do not use the SteaMitt™ on cold glass, such as windows as damage may be caused by the sudden change in temperature.

⚠ **Warning!** Never point or direct the mitt at yourself or any other person.

Note: Variable steam dial is disconnected when the SteaMitt™ is fitted and subsequently the flow of steam is limited.

Use

Important! This unit will kill 99.9% of bacteria and germs when used in accordance with the instructions in this manual and with the micro fibre pads fitted and a continuous run time of 90 seconds.

Switching on and off

- ◆ To switch the appliance on, press the ON/Off switch (1). It takes approximately 20 seconds for the steam mop to heat up.
- ◆ To switch the appliance off, press the ON/Off switch (1).

Note: always have your hand inside the SteaMitt™ before you press the steam button.

Caution! Never leave the steam mop in one spot on any surface for any period of time.

Always place the steam mop with the handle (8) supported in the upright position when stationary and make sure the steam mop is turned off when not in use.




Caution! Always empty the steam mop after use.

Note! When first filled or after running dry, it can take up to 45 seconds for steam to be produced.

Autoselect™ Technology (Fig. P)

This steam mop is fitted with an Autoselect™ dial (2) which shows various cleaning applications. They are used to select the correct operating mode for your particular cleaning operation.

Using Autoselect™, choose from one of the following applications by turning the Autoselect™ dial (2) until the required setting is selected.

Setting	Mop	Hand held
	Wood/Laminate	Low steam flow ●
	Tiles/Vinyl	Medium steam flow ● ●
	Stone/Marble	High steam flow ● ● ●

The steam mop will select the correct volume of steam required for your particular cleaning operation.

Note: Always check you are using the correct setting before using your steam mop.

Hints for optimum use

General

Caution: Never use the steam mop without first attaching a cleaning pad.

- ◆ Always vacuum or sweep the floor before using the steam mop.
- ◆ The easiest way to use the appliance is to tilt the handle to a 45° angle and clean slowly, covering a small area at a time.
- ◆ Use water only with no additives or chemicals with your steam mop. To remove stubborn stains from vinyl or linoleum floors, you can pre-treat with a mild detergent and some water before using the steam mop.

Steam Cleaning with the mop

- ◆ Fit hand held steam cleaner (5) to the steam mop body (11)
- ◆ Place a cleaning pad (13) on the floor with the velcro 'loop' side facing up.
- ◆ Lightly press the steam mop down onto the cleaning pad (13).
- ◆ Connect the steam mop to the mains.
- ◆ Press the ON/OFF button (1). It takes approximately 15 seconds for the steam mop to heat up.
- ◆ Turn the Autoselect™ dial (2) until the required setting is reached. After a few seconds steam will start to come out of the steam head.

Note! When first filled or after running dry, it can take up to 45 seconds for steam to be produced.

- ◆ It takes a few seconds for steam to enter the cleaning pad. The steam mop will now glide easily over the surface to be sanitized/cleaned.
- ◆ Push and pull the steam mop slowly across the surface to thoroughly steam clean each section.
- ◆ When you have finished using the steam mop, return the handle (8) to the upright position, making sure that it is supported and turn it 'OFF'. Wait until the steam mop cools down (approximately five minutes).

Caution! It is important to monitor the water level in the water tank. To refill the water tank and continue to sanitize/clean stand the mop upright making sure that the handle is supported and turn the steam mop 'OFF'. Unplug the unit from the electrical wall outlet, and refill the water tank.

Caution! Never leave the steam mop in one spot on any surface for any period of time.

Always place the steam mop with the handle (8) supported in the upright position when stationary and make sure the steam mop is turned off when not in use.

Carpet refreshing

- ◆ Place a cleaning pad (13) on the floor with the 'loop' side facing up.
- ◆ lightly press the steam mop down onto the cleaning pad.
- ◆ Place the carpet glider (12d) on the floor.
- ◆ Lightly press the steam mop down onto the carpet glider until it clicks into place.
- ◆ Connect the steam mop to the mains.
- ◆ Press the ON/OFF button (1). It takes approximately 15 seconds for the steam mop to heat up.
- ◆ Turn the Autoselect™ dial (2) to the Wood/Laminate setting.
- ◆ Push and pull the steam mop slowly across the carpet to thoroughly refresh each section.
- ◆ When you have finished using the steam mop, return the handle (8) to the upright position and turn the unit OFF. Wait until the steam mop cools down (approximately five minutes).

After use

- ◆ Turn the Autoselect™ dial (2) to the OFF position.
- ◆ Wait until the steam mop cools down.
- ◆ Unplug the steam mop from the electrical wall outlet.
- ◆ Empty the water tank.
- ◆ remove the cleaning pad (13) and wash it ready for next use (take care to follow the wash care instructions printed on the cleaning pad).
- ◆ Wrap the supply cable around the cable tidy hooks (7 and 9).
- ◆ There is a hanging bracket (15) built into the hand grip (6) which allows your steam mop to be hung from a suitable hook on the wall. Always ensure that your wall hook is capable of supporting the weight of the steam mop safely.
- ◆ The handle also includes a rubber stopper which allows your steam mop to be rested safely against a vertical surface.

Hand held steam cleaning

Warning! Unit will not produce steam unless it is connected to the main body (11) or the steam hose (16) is fitted.

Warning! Only use in a horizontal position.

- ◆ Attach the required accessory.
- ◆ Connect the hand held steam cleaner to the mains.
- ◆ Press the ON/OFF button (1). It takes approximately 15 seconds for the steam mop to heat up.
- ◆ Turn the Autoselect™ dial (2) until the required setting is reached. After a few seconds steam will start to come out of the steam head.

Note! When first filled or after running dry, it can take up to 45 seconds for steam to be produced.

- ◆ When you have finished using the hand held steam cleaner turn the Autoselect™ dial (2) to the OFF position. Turn the unit OFF by pressing the ON/OFF button (1) and disconnect from the mains supply. Wait until the unit cools down before storing (approximately five minutes).

Accessories

The performance of your appliance depends on the accessory used. BLACK+DECKER accessories are engineered to high quality standards and designed to enhance the performance of your appliance. By using these accessories you will get the very best from your equipment.

Technical Data

	Voltage	Power	Tank Capacity	Heat-up time	Cable length	Weight
	V _{ac}	W	ml	secs	m	kg
F5MH1321	230	1600	500	≤20	6	2.7
BHSM168D	230	1600	500	≤20	6	2.8
BHSM168U	230	1600	500	≤20	6	2.8
BHSM168DSM	230	1600	500	≤20	6	2.8
BHSM161DSM	230	1600	500	≤20	7	2.9

BHSM161SDAM	230	1600	500	≤20	7	2.9
BHSM161SDSG	230	1600	500	≤20	8	2.9
BHSM168DSM	230	1600	500	≤20	8	2.9
BHSM168DSM	230	1600	500	≤20	8	2.9
BHSM1610DSM	230	1600	500	≤20	8	2.9

Troubleshooting

If your appliance seems not to operate properly, follow the instructions below. If this does not solve the problem, please contact your local BLACK+DECKER repair agent.

Problem	Step	Possible solution
The steam mop is not turning on	1.	Check the unit is plugged in at the wall socket.
	2.	Check the unit is switched on using the ON/OFF switch (1)
	3.	Check the fuse in the plug.
The steam mop is not producing steam	4.	The steam mop will only produce steam if the hand held steam cleaner (5) is correctly docked into the main body (11) or the steam hose is fitted or the Autoselect™ is turned to ON
	5.	Check that the water tank is full. Note: When first filled or after running dry it can take up to 45 seconds for steam to be produced.
	6.	Check steps 1, then 2, then 3
The steam mop stops producing steam during use	7.	Check steps 4, then 5, then 3
The steam mop is producing too much steam during use	8.	Turn the Autoselect™ dial (2) anti-clockwise to reduce the amount of steam being produced
The steam mop is producing too little steam during use	9.	Turn the Autoselect™ dial (2) clockwise to increase the amount of steam being produced
No steam is being produced from the hand held steam cleaner	10.	Check that the Autoselect™ dial (2) is at the ON position
	11.	Check steps 5, then 1, then 2, then 3
The hand held steam cleaner is producing too little steam during use	12.	Turn the Autoselect™ dial (2) clockwise to increase the amount of steam being produced
	13.	Check step 5
The hand held steam cleaner is producing too much steam during use	14.	Turn the Autoselect™ dial (2) anti-clockwise to reduce the amount of steam being produced
The accessories keep falling off the unit	15.	Refer to the assembly chapter for correct fitting instructions of all parts and accessories
Steam is escaping from unexpected areas of the unit	16.	Refer to the assembly chapter for correct fitting instructions of all parts and accessories
Where can I get further information/ accessories	17.	www.blackanddecker.co.uk/steam mop www.blackanddecker.ie/steam mop

Maintenance and cleaning

Your BLACK+DECKER corded appliance has been designed to operate over a long period of time with a minimum of maintenance. Continuous satisfactory operation depends upon proper appliance care and regular cleaning.

Warning! Before performing any maintenance or cleaning on corded appliances switch off and unplug the appliance.

- ◆ Wipe your appliance over using a soft damp cloth.

- ◆ For stubborn marks you can use a mild solution of soap and water to dampen your cloth.

Care of the cleaning pads

Wash care instructions - Pads can be washed at 60°C. Do not use fabric conditioner. Allow to dry fully before re-use.

Caution! Follow the cleaning instructions printed on the label of the cleaning pad.

Mains plug replacement (U.K. & Ireland only)

If a new mains plug needs to be fitted:

- ◆ Safely dispose of the old plug.
- ◆ Connect the brown lead to the live terminal in the new plug.
- ◆ Connect the blue lead to the neutral terminal.
- ◆ Connect the green/yellow lead to the earth terminal.

Warning! Follow the fitting instructions supplied with good quality plugs. Recommended fuse: 13A.

Protecting the environment



Separate collection. Products and batteries marked with this symbol must not be disposed of with normal household waste

Products and batteries contain materials that can be recovered or recycled reducing the demand for raw materials. Please recycle electrical products and batteries according to local provisions.

Further information is available at www.2helpU.com

Guarantee

Black & Decker is confident of the quality of its products and offers consumers a 24 month guarantee from the date of purchase. This guarantee is in addition to and in no way prejudices your statutory rights.

The guarantee is valid within the territories of the Member States of the European Union and the European Free Trade Area.

To claim on the guarantee, the claim must be in accordance with Black&Decker Terms and Conditions and you will need to submit proof of purchase to the seller or an authorised repair agent. Terms and conditions of the Black&Decker 2 year guarantee and the location of your nearest authorised repair agent can be obtained on the Internet at www.2helpU.com, or by contacting your local Black & Decker office at the address indicated in this manual.

Please visit our website www.blackanddecker.co.uk to register your new Black & Decker product and receive updates on new products and special offers.

Verwendungszweck

Ihr BLACK+DECKER™ FSMH1321, BHSM166DSM, BHSM168D, BHSM168DSM, BHSM168U, BHSM169DSM, BHSM1610DSM, BHSM1615DSM, BHSM1615DSG, BHSM1615DAM Dampfreiniger FSM13E1 wurde zum hygienischen Säubern von Bodenbelägen aus versiegeltem Hartholz, Laminat, Linoleum, PVC, Keramikfliesen, Stein und Marmor entwickelt. Dieses Gerät darf nur im Innenbereich verwendet werden und ist nicht für den gewerblichen Einsatz vorgesehen.

Sicherheitshinweise



Warnung! Lesen Sie alle Sicherheitswarnhinweise und alle Anweisungen. Die Nichteinhaltung der folgenden Warnungen und Anweisungen kann einen elektrischen Schlag, Brand und/oder schwere Verletzungen verursachen.



Warnung! Beachten Sie beim Umgang mit netzstrombetriebenen Geräten stets die grundlegenden Sicherheitshinweise, die im Folgenden beschrieben werden. Dadurch verhindern Sie Brände, Stromschläge sowie Sach- und Personenschäden.

- ◆ Der vorgesehene Verwendungszweck ist in dieser Anleitung beschrieben.
- ◆ Bei Verwendung von Zubehör oder Anbauteilen, die nicht in dieser Anleitung empfohlen werden, sowie bei der Verwendung des Geräts in Abweichung von den in dieser Anleitung beschriebenen Verfahren besteht Verletzungsgefahr.
- ◆ Bewahren Sie diese Anleitung auf.

Verwendung des Geräts

- ◆ Richten Sie den Dampfstrahl nicht auf

Menschen, Tiere, elektrische Geräte oder Steckdosen.

- ◆ Vor Regen schützen.
- ◆ Tauchen Sie das Gerät nicht in Wasser.
- ◆ Lassen Sie das Gerät niemals unbeaufsichtigt.
- ◆ Trennen Sie die Stromversorgung des Geräts, wenn dieses nicht verwendet wird.
- ◆ Ziehen Sie den Netzstecker nicht am Kabel aus der Netzsteckdose. Achten Sie darauf, dass das Gerätekabel nicht in Kontakt mit starker Hitze, Öl oder scharfkantigen Gegenständen kommt.
- ◆ Bedienen Sie den Dampfreiniger nicht mit nassen Händen.
- ◆ Verwenden Sie das Kabel nicht zum Ziehen bzw. Tragen des Geräts oder als Haltegriff. Achten Sie darauf, dass das Kabel nicht in Türen eingeklemmt, über scharfe Kanten gezogen oder Hitzequellen ausgesetzt wird.
- ◆ Verwenden Sie das Gerät nicht in geschlossenen Räumen, in denen Dämpfe von Verdünnungsmitteln für Ölfarben, bestimmte Mottenschutzmittel, brennbare Stäube oder andere explosive bzw. giftige Dämpfe austreten.
- ◆ Lassen Sie die Art des Bodenbelags durch den Hersteller bestätigen.
- ◆ Verwenden Sie das Gerät nicht auf Leder, gewachsenen Möbelstücken oder Böden, synthetischem Gewebe, Samt oder empfindlichen Materialien,

die durch Dampf beschädigt werden können.



Warnung! Verwenden Sie das Gerät nicht auf unversiegelten Holz- und Laminatböden. Der Glanz gewachster und bestimmter ungewachster Oberflächen wird möglicherweise durch den heißen Dampf beeinträchtigt. Es wird empfohlen, die Reinigungswirkung zunächst an einer unauffälligen Stelle zu testen. Beachten Sie auch die Anweisungen des jeweiligen Herstellers zu Gebrauch und Pflege des Bodenbelags.

- ◆ Befüllen Sie den Dampfreiniger nicht mit Entkalker, alkoholhaltigen Stoffen sowie Duft- oder Reinigungsmitteln, da das Gerät hierdurch beschädigt oder die Gerätesicherheit beeinträchtigt werden kann.
- ◆ Stellen Sie die Verwendung des Geräts unmittelbar ein, und wenden Sie sich an den Kundendienst, wenn der Schutzschalter bei Verwendung der Dampffunktion ausgelöst wird. (Es besteht die Gefahr eines Stromschlags.)
- ◆ Das Gerät erzeugt zur hygienischen Säuberung der Anwendungsoberfläche Dampf mit sehr hoher Austrittstemperatur. Deshalb können Reinigungskopf, Bodentuch und Teppichaufsatz bei Betrieb des Geräts sehr heiß werden.

Achtung! Tragen Sie bei der Verwendung des Dampfreinigers und dem Austausch der Zubehörteile zweckmäßiges Schuhwerk. Tragen Sie keine Hausschuhe oder Sandalen.

- ◆ Der Gerätedeckel kann während des Betriebs heiß werden.
- ◆ Bei Verwendung des Geräts kann Dampf austreten. Das Gerät ist mit Vorsicht zu betreiben. Teile, die während des Betriebs heiß werden können, dürfen NICHT BERÜHRT WERDEN.
- ◆ Schalten Sie das Gerät aus, und bewegen Sie den Griff in die aufrechte Stellung, bevor Sie den Wassertank entfernen.
- ◆ Schalten Sie das Gerät aus, trennen Sie es von der Stromversorgung, und lassen Sie das Gerät abkühlen, wenn Dampf aus dem Gehäuse des Handdampfreinigers austritt. Wenden Sie sich an eine Vertragswerkstatt in Ihrer Nähe. Das Gerät darf nicht weiter verwendet werden.

Nach dem Gebrauch

- ◆ Ziehen Sie den Netzstecker und lassen Sie das Gerät vor dem Reinigen abkühlen.
- ◆ Bewahren Sie das Gerät bei Nichtgebrauch an einem trockenen Ort auf.
- ◆ Kinder sollten keinen Zugang zu aufbewahrten Geräten haben.

Inspektion und Reparaturen

- ◆ Ziehen Sie vor der Durchführung von Wartungsarbeiten oder Reparaturen

den Netzstecker und lassen Sie das Gerät abkühlen.

- ◆ Prüfen Sie das Gerät vor der Verwendung auf beschädigte oder defekte Teile. Prüfen Sie, ob Teile gebrochen sind, Schalter beschädigt sind oder andere Bedingungen vorliegen, welche die Funktion beeinträchtigen könnten.
- ◆ Überprüfen Sie das Netzkabel in regelmäßigen Abständen auf Beschädigungen.
- ◆ Betreiben Sie das Gerät nicht, wenn ein Teil beschädigt oder defekt ist.
- ◆ Lassen Sie beschädigte oder defekte Teile in einer Vertragswerkstatt reparieren oder austauschen.
- ◆ Ersetzen oder entfernen Sie keine Teile, für die in dieser Anleitung keine entsprechende Beschreibung enthalten ist.

Sicherheit anderer Personen

- ◆ Dieses Gerät darf von Personen mit eingeschränkten körperlichen, sensorischen oder geistigen Fähigkeiten sowie mangelnder Erfahrung und Wissen in Bezug auf dessen Gebrauch bedient werden, wenn sie bei der Verwendung des Geräts beaufsichtigt oder angeleitet werden und die möglichen Gefahren verstehen. Kinder dürfen nicht mit dem Gerät spielen.
- ◆ Kinder müssen beaufsichtigt werden, um sicherzustellen, dass sie nicht mit dem Gerät spielen.
- ◆ Der Stecker muss vor der Reinigung

oder Wartung des Geräts aus der Steckdose gezogen werden.

- ◆ Halten Sie Flüssigkeiten oder Dampf von Geräten mit elektrischen Komponenten fern, z.B. vom Inneren eines Backofens.
- ◆ Das Gerät darf nicht unbeaufsichtigt gelassen werden, während es an das Stromnetz angeschlossen ist.
- ◆ Das Gerät darf nicht verwendet werden, wenn es fallen gelassen wurde, wenn es sichtbare Beschädigungen aufweist oder undicht ist.
- ◆ Halten Sie das Gerät außerhalb der Reichweite von Kindern, wenn es an eine Stromzufuhr angeschlossen ist oder abkühlt.
- ◆ Richten Sie den Dampfreiniger niemals auf sich selbst oder andere Personen.
- ◆ Es sollte darauf geachtet werden, wenn das Gerät aufgrund der Emission von Dampf.
- ◆ Ziehen Sie das Gerät während des Füllens und Reinigung.
- ◆ Der Stoffdampfer darf nicht unbeaufsichtigt bleiben, solange er an das Versorgungsnetz angeschlossen ist.
- ◆ Der Stoffdampfer darf nicht verwendet werden, wenn er heruntergefallen ist, sichtbare Anzeichen von Beschädigungen vorliegen oder wenn er undicht ist.

- ◆ Bewahren Sie den Stoffdampfer und seine Schnur außerhalb der Reichweite von Kindern unter 8 Jahren auf, wenn diese unter Spannung stehen oder abkühlen.

Restrisiken

Beim Gebrauch dieses Geräts verbleiben zusätzliche Restrisiken, die möglicherweise nicht in den Sicherheitswarnungen genannt werden. Diese Risiken bestehen beispielsweise bei Missbrauch oder längerem Gebrauch. Auch bei der Einhaltung der entsprechenden Sicherheitsvorschriften und der Verwendung aller Sicherheitsgeräte bestehen weiterhin bestimmte Restrisiken. Diese sind:

- ◆ Verletzungen, die durch das Berühren von sich bewegenden Teilen verursacht werden.
- ◆ Verletzungen, die durch das Berühren von erhitzten Teilen verursacht werden.
- ◆ Verletzungen, die durch das Austauschen von Teilen oder Zubehör verursacht werden.
- ◆ Verletzungen, die durch längeren Gebrauch des Geräts verursacht werden. Legen Sie bei längerem Gebrauch regelmäßige Pausen ein.

Elektrische Sicherheit



Warnung! Warnung! Das Gerät muss geerdet werden. Überprüfen Sie immer, dass die Stromversorgung der Spannung auf dem Typenschild entspricht.

Der Netzstecker des Gerätes muss in die Steckdose passen. Ändern Sie niemals den Stecker in irgendeiner Form. Unveränderte Stecker und passende Steckdosen mindern die Gefahr eines elektrischen Schlages

- ◆ Bei einer Beschädigung des Netzkabels muss dieses durch den Hersteller oder eine BLACK+DECKER-Vertragswerkstatt ausgetauscht werden, um mögliche Gefahren zu vermeiden.

Verlängerungskabel und Produkt der Klasse 1

- ◆ Wenn das Gerät geerdet ist und es sich um ein Produkt der Klasse 1 handelt, muss ein dreiadriges Kabel verwendet werden.
- ◆ Verwenden Sie ausschließlich geprüfte Verlängerungskabel, die für die Leistungsaufnahme dieses Geräts ausgelegt sind (siehe „Technische Daten“). Es kann ein 1,50mm²-Verlängerungskabel von einer Länge von bis zu 30m verwendet werden, ohne dass die Leistung des Geräts beeinträchtigt wird. Prüfen Sie vor der Inbetriebnahme das Netzkabel auf Verschleiß und Beschädigungen. Wechseln Sie beschädigte oder fehlerhafte Verlängerungskabel aus. Wenn Sie eine Kabeltrommel verwenden, wickeln Sie das Kabel vollständig ab.

Warnsymbole am Gerät

Folgende Piktogramme sowie der Datumcode befinden sich auf dem Gerät.



ACHTUNG! Heißer Dampf



Wasser tropft, wenn das Gerät umgedreht verwendet wird



Dampf entweicht von allen Seiten



Lassen Sie kleine Kinder nicht unbeaufsichtigt



Nur für Handwäsche



ACHTUNG! Heiße Oberfläche

Merkmale

Dieses Gerät verfügt über einige oder alle der folgenden Merkmale.

1. Ein-/Aus-Schalter
2. Autoselect™-Programmwahl
3. Griff des Handdampfreinigers
4. Verschlusskappe
5. Handdampfreiniger
6. Handgriff
7. Obere Kabelhalterung
8. Haupthandgriff
9. Untere Kabelhalterung
10. Freigabetaste des Handdampfreinigers
11. Hauptteil
12. Bodenreinigungsdüse
- 12a. Bodenreinigungsdüse mit herausnehmbarem Delta-Element
- 12b. Delta-Kopf
- 12c. Lasche zum Entfernen des Reinigungskopfs
- 12d. Teppichgleiter (für Teppiche)
13. Bodenreinigungstuch
14. Freigabelasche für Bodenreinigungstuch
15. Aufhängevorrichtung

16. Dampfschlauch
17. Dampfdüse
18. Winkelbürstenzubehör (für schwer entfernbare Flecken)
- 18a. Winkelbürste (Drahtbürste)
19. Bürstenzubehör (für Fliesen/Mörtel)
20. Gummiabzieherzubehör (für Duschwände/Glas/Spiegel/Bekleidung/Polster)
- 20a. Hülle für Gummiabzieher
21. Großes Gummiabzieherzubehör (für Duschwände/Glas/Spiegel/Bekleidung/Polster)
- 21a. Hülle für großen Gummiabzieher
22. Dampfstoß-Bürsteneinheit
- 22a. Dampfstoß-Drahtbürste (für Grills/Öfen)
- 22b. Dampfstoß-Bürste (für Grills/Öfen/Kochfelder/Wasserhähne/Mörtel)
- 22c. Breite Dampfstoß-Bürste (für größere Oberflächen)
23. Deltakopf-Bodentuch
24. SteaMitt™
25. SteaMitt™-Schlauch
26. SteaMitt™-Reinigungstuch
27. SteaMitt™-Reinigungstuch 2
28. Ultra-absorbierendes Bodenreinigungstuch
29. Große Bürste mit integriertem Schaber

Konfiguration

	F S M H 1 3 2 1	B H S M 1 6 8 D	B H S M 1 6 8 U	B H S M 1 6 6 D S M	B H S M 1 6 8 D S M	B H S M 1 6 9 D S M	B H S M 1 6 1 0 D S M	B H S M 1 6 1 5 D S M	B H S M 1 6 1 5 D S G	B H S M 1 6 1 5 D A M	S E T T I N G S
12	✓										Alle
12a		✓	✓	✓	✓	✓	✓	✓	✓	✓	Alle
12d		✓	✓	✓	✓	✓	✓	✓	✓	✓	Alle
13	✓	✓	✓	✓	✓	✓	✓	✓	✓	✓	Alle
16	✓	✓	✓	✓	✓	✓	✓	✓	✓	✓	Alle
18	✓	✓	✓	✓	✓	✓	✓	✓	✓	✓	-
18a						✓					...
19	✓	✓	✓	✓	✓	✓	✓	✓	✓	✓	...
20	✓			✓	✓		✓				-
20a	✓			✓	✓		✓				-
21		✓	✓					✓	✓	✓	-
21a						✓			✓	✓	-
22					✓			✓		✓	Alle
22a					✓			✓		✓	Alle
22b					✓			✓		✓	Alle
22c					✓			✓		✓	Alle
23		✓	✓	✓	✓	✓	✓	✓	✓	✓	Alle
24				✓	✓	✓	✓	✓	✓	✓	Alle

25				✓	✓	✓	✓	✓	✓	✓	Alle
26				✓	✓	✓	✓	✓	✓	✓	Alle
27								✓	✓	✓	Alle
28								✓	✓	✓	Alle
29								✓	✓		Alle

Montage



Warnung! Vergewissern Sie sich vor Ausführung der folgenden Schritte, dass das Gerät ausgeschaltet ist und der Netzstecker gezogen wurde. Weiterhin muss das Gerät abgekühlt sein und darf kein Wasser enthalten.

Anbringen des Griffs (Abb. A)

- ◆ Schieben Sie das untere Ende des Griffs (8) in die obere Öffnung des Gerätegehäuses (11), bis dieser einrastet.

Anbringen des Handdampfreinigers (Abb. B)

- ◆ Halten Sie das Gerät an der Rückseite des Gerätegehäuses (11) fest, drücken Sie den Handdampfreiniger (5) fest auf das Gerätegehäuse (11), bis er genau über der Schnittstelle (11a) sitzt und fest einrastet.

Abnehmen des Handdampfreinigers (Abb. B)

- ◆ Drücken Sie die Freigabetaste (10) am Hauptteil (11) und heben Sie den Handdampfreiniger (5) von der Schnittstelle (11a) und vom Hauptteil (11) ab.

Anbringen eines Reinigungstuchs (Abb. C)

Ersatztücher erhalten Sie im BLACK+DECKER Fachhandel: – (Katalognr. FSMP20-XJ).

- ◆ Legen Sie ein Bodentuch (13) mit den Klettverschlüssen nach oben auf den Boden.
- ◆ Drücken Sie den Dampfreiniger vorsichtig auf das Bodentuch (13).

Hinweis: Dieses Gerät kann mit einer Standard-Bodenreinigungsdüse (12) oder einem Dampfstoß-Reinigungsdüse (12a) geliefert werden. Bringen Sie in beiden Fällen das Reinigungstuch gemäß dieser Anweisungen an.

Achtung! Stellen Sie den Dampfreiniger – ungeachtet der jeweiligen Oberfläche – keinesfalls längere Zeit an einer Stelle ab. Stellen Sie den Dampfreiniger stets mit dem abgestützten Griff (8) in aufrechter Stellung ab. Stellen Sie sicher, dass der Dampfreiniger ausgeschaltet ist, wenn dieser nicht verwendet wird.

Entfernen eines Reinigungstuchs

Achtung! Tragen Sie beim Wechseln des Reinigungstuchs stets zweckmäßiges Schuhwerk. Tragen Sie keine Hausschuhe oder Sandalen.

- ◆ Bewegen Sie den Griff (8) in die aufrechte Stellung, und schalten Sie den Dampfreiniger aus.
- ◆ Warten Sie, bis der Dampfreiniger abgekühlt ist, bevor Sie diesen verstauen (etwa 5 Minuten).
- ◆ Heben Sie den Dampfreiniger vom Reinigungstuch und lösen Sie ihn so von dem Klettverschluss.

Achtung! Stellen Sie den Dampfreiniger – ungeachtet der jeweiligen Oberfläche – keinesfalls längere Zeit an einer Stelle ab.

Stellen Sie den Dampfreiniger stets mit dem abgestützten Griff (8) in aufrechter Stellung ab. Stellen Sie sicher, dass der Dampfreiniger ausgeschaltet ist, wenn dieser nicht verwendet wird.

Füllen des Wassertanks (Abb. O)

Hinweis! Füllen Sie den Wassertank mit sauberem Leitungswasser. (Verwenden Sie keine Zusatzstoffe oder Chemikalien.)

Hinweis! In Regionen mit kalkhaltigem Wasser wird die Verwendung von destilliertem Wasser empfohlen.

- ◆ Öffnen Sie die Verschlusskappe (4), indem Sie diese nach oben klappen.
- ◆ Füllen Sie den Wassertank mit Leitungswasser. (Verwenden Sie keine Zusatzstoffe oder Chemikalien.)

Warnung! Nehmen Sie den Tank beim Füllen vom Hauptgerät ab und halten Sie ihn waagrecht.

Warnung! Der Tank hat eine Kapazität von 0,5 l. Überfüllen Sie den Tank nicht.

- ◆ Schließen Sie die Verschlusskappe (4).

Hinweis! Stellen Sie sicher, dass die Verschlusskappe fest sitzt.

Anbringen des Teppichgleiters (Abb. 12d) (nur für Teppiche)

- ◆ Legen Sie den Teppichgleiter (12d) auf den Boden.
- ◆ Bringen Sie ein Reinigungstuch an der Bodenreinigungsdüse (12, 12a) an.
- ◆ Drücken Sie den Dampfreiniger vorsichtig auf den Teppichgleiter (12d), bis dieser einrastet.

Achtung! Stellen Sie den Dampfreiniger – ungeachtet der jeweiligen Oberfläche – keinesfalls längere Zeit an einer Stelle ab. Stellen Sie den Dampfreiniger stets mit dem abgestützten Griff (8) in aufrechter Stellung ab. Stellen Sie sicher, dass der Dampfreiniger ausgeschaltet ist, wenn dieser nicht verwendet wird.

Entfernen des Teppichgleiters

Achtung! Tragen Sie beim Wechseln des Teppichgleiters stets zweckmäßiges Schuhwerk. Tragen Sie keine Hausschuhe oder Sandalen.

- ◆ Bewegen Sie den Griff (8) in die aufrechte Stellung, und schalten Sie den Dampfreiniger aus.

- ◆ Warten Sie, bis der Dampfreiniger abgekühlt ist, bevor Sie diesen verstauben (etwa 5 Minuten).
- ◆ Drücken Sie die Lasche zum Entfernen des Teppichgleiters mit einer Spitze Ihres Schuhs fest nach unten.
- ◆ Heben Sie den Dampfreiniger vom Teppichgleiter ab.

Achtung! Stellen Sie den Dampfreiniger – ungeachtet der jeweiligen Oberfläche – keinesfalls längere Zeit an einer Stelle ab. Stellen Sie den Dampfreiniger stets mit dem abgestützten Griff (8) in aufrechter Stellung ab. Stellen Sie sicher, dass der Dampfreiniger ausgeschaltet ist, wenn dieser nicht verwendet wird.

Deltakopf (Abb. D)

Dieser Dampfreiniger verfügt über einen Deltakopf, mit dem Sie Ecken und schmale Stellen erreichen. **Achtung!** Tragen Sie bei Kontakt mit dem Deltakopf stets zweckmäßiges Schuhwerk. Tragen Sie keine Hausschuhe oder Sandalen.

- ◆ Schalten Sie den Dampfreiniger aus.
- ◆ Warten Sie, bis der Dampfreiniger abgekühlt ist, bevor Sie diesen verstauben (etwa fünf Minuten).
- ◆ Drücken Sie die Lasche zum Entfernen des Reinigungskopfs (12c) mit einer Spitze Ihres Schuhs vorsichtig nach unten.
- ◆ Heben Sie den Deltakopf (12b) vom Reinigungskopf (12a) ab.
- ◆ Befestigen Sie das Deltakopf-Bodentuch an der Unterseite des Deltakopfs.

Hinweis: Entfernen Sie das Bodentuch, bevor Sie den Deltakopf wieder am Reinigungskopf anbringen.

- ◆ Zum erneuten Anbringen des Deltakopfs platzieren Sie dessen Spitze im Reinigungskopf und drücken ihn dann fest nach unten, um sicherzustellen, dass er einrastet.

Anbringen des Schlauchs und Zubehörs am Handdampfreiniger (Abb. G - M)

Warnung! Überprüfen Sie vor jedem Gebrauch die Dichtung zwischen dem Verbindungspunkt am Handdampfreiniger (5) und dem Dampfschlauch (16). Wenden Sie sich an eine Vertragswerkstatt in Ihrer Nähe, wenn die Dichtung nicht funktioniert oder beschädigt ist. Das Gerät darf nicht weiter verwendet werden.

Anbringen des Schlauches

- ◆ Drücken Sie die Freigabetaste des Dampfschlauchs (16a) am Dampfschlauch (16).
- ◆ Schließen Sie den Dampfschlauch (16) am Handdampfreiniger (5) an, lassen Sie die Freigabetaste des Dampfschlauchs (16a) los und achten Sie darauf, dass sie einrastet.

Wichtig! Stellen Sie vor der Verwendung des Handdampfreinigers sicher, dass der Dampfschlauch (16) ordnungsgemäß am Handdampfreiniger (5) angebracht ist. Wenn aus der Verbindungsstelle Dampf entweicht, ist der Schlauch falsch montiert. Schalten Sie das Gerät aus, warten Sie, bis es abgekühlt ist, und bringen Sie den Schlauch wieder an.

Anbringen von Zubehörteilen (Abb. H)

- ◆ Richten Sie die Halterungen am Dampfdüse (17) an den Aussparungen am Zubehörteil aus.
- ◆ Drücken Sie das Zubehörteil auf den Schlauch (17) und drehen Sie das Zubehörteil entgegen dem Uhrzeigersinn, bis dieses einrastet.

Wichtig! Sämtliches Zubehör außer dem SteaMitt™ (24), der einen eigenen Schlauch und ein eigenes Verbindungsstück (25) besitzt, muss vor Gebrauch mit dem Dampfschlauch (16) verbunden werden.

Entfernen des Schlauchs und Zubehörs

Warnung! Der Dampfschlauch (16), die Dampfdüse (17) und die Zubehörteile werden bei Betrieb heiß. Warten Sie, bis das Gerät und alle Zubehörteile abgekühlt sind, bevor Sie versuchen, Teile abzunehmen.

Entfernen von Zubehörteilen

- ◆ Drehen Sie das Zubehörteil im Uhrzeigersinn und ziehen Sie es vom Schlauch (16) ab.

Entfernen des Schlauchs

- ◆ Drücken Sie die Freigabetaste für den Dampfschlauch (16a) am Dampfschlauch (16) und ziehen Sie ihn vom Handdampfreiniger weg.

SteaMitt™

Ihr BLACK+DECKER™ SteaMitt™ wurde zum Desinfizieren und Reinigen von Fliesen, Arbeitsflächen, Küchen und Badezimmern entwickelt. Dieses Gerät darf nur im Innenbereich verwendet werden und ist nicht für den gewerblichen Einsatz vorgesehen.

Anbringen des SteaMitt™-Schlauchs am Handdampfreiniger

Warnung! Überprüfen Sie vor jeder Verwendung die Dichtung an der Dampfdüse und am Schlauch. Wenden Sie sich an eine Vertragswerkstatt in Ihrer Nähe, wenn die Dichtung fehlt oder beschädigt ist.

Das Gerät darf nicht weiter verwendet werden. Überprüfen Sie die Dichtung am SteaMitt™ und am Schlauch. Wenden Sie sich an eine Vertragswerkstatt in Ihrer Nähe, wenn die Dichtung fehlt oder beschädigt ist oder wenn an einer Stelle Dampf entweicht. **Das Gerät darf nicht weiter verwendet werden.**

Überprüfen Sie, ob der SteaMitt™-Schlauch oder der Zubehörschlauch durch irgendetwas verstopft oder blockiert wird. Wenn das der Fall ist, wenden Sie sich an eine Vertragswerkstatt in Ihrer Nähe. **Das Gerät darf nicht weiter verwendet werden.**


Anbringen eines Reinigungstuchs am SteaMitt™ (Abb. J)


Warnung! Überprüfen Sie, ob die Dampföffnungen durch irgendetwas verstopft oder blockiert werden. Wenn das der Fall ist, wenden Sie sich an eine Vertragswerkstatt in Ihrer Nähe. **Das Gerät darf nicht weiter verwendet werden.**


- ◆ Bringen Sie das Reinigungstuch (26) am SteaMitt™ (24) an, indem Sie die Klettverschlüsse (26a) oben am Reinigungstuch mit den Klettverschlüssen (24a) an der Unterseite des SteaMitt™ (24) verbinden. Drücken Sie diese gut fest.


Warnung! Der SteaMitt™ sollte nur mit angebrachtem Reinigungstuch verwendet werden.


Hinweis: Am SteaMitt™ können 4 verschiedene dicke Reinigungstücher angebracht werden. Scheuertuch (für hartnäckige Flecken und unempfindliche Oberflächen), Badezimmertuch (für Wasserhähne und andere geformte Oberflächen im Bad), Standardtuch (für alle größeren Oberflächen) und Poliertuch (für empfindliche Oberflächen).


 **Warnung!** Verwenden Sie den SteaMitt™ ausschließlich wie in Abbildung M gezeigt, d.h. mit der yHand im Schutzhandschuh.

 **Warnung!** Versuchen Sie niemals, den SteaMitt™ zu verwenden, indem Sie ihn wie in Abbildung N gezeigt von außen greifen. Es droht die Gefahr von Verbrühungen.

 **Warnung!** Vermeiden Sie die Verwendung des SteaMitt™ an engen Stellen, wie in Abbildung O gezeigt.

 **Warnung!** Sollte ein Problem bei der Verwendung auftreten, verwenden Sie die Lasche mit Schnellspannung, um den SteaMitt™ schnell von der Hand zu lösen, siehe Abbildung P.

 **Warnung!** Verwenden Sie den SteaMitt™ nicht auf kaltem Glas, z.B. an Fenstern, da dies zu Schäden durch die plötzliche Temperaturänderung führen kann.

 **Warnung!** Richten Sie den Dampfreiniger niemals auf sich selbst oder andere Personen.

Hinweis: Der verstellbare Dampfstrahlregler wird getrennt, wenn der SteaMitt™ angebracht wird, daher ist der Dampfstoß eingeschränkt.

Verwendung

Wichtig! Mit diesem Gerät können 99,9 % der Bakterien und Keime abgetötet werden, wenn es gemäß der Anweisungen in diesem Handbuch mit dem Mikrofasertuch und mindestens 90 Sekunden lang verwendet wird.

Ein- und Ausschalten

- ◆ Zum Einschalten des Geräts drücken Sie den Ein-/Aus-Schalter (1). Der Dampfreiniger benötigt zum Erreichen der Betriebstemperatur ca. 20 Sekunden.
- ◆ Drücken Sie den Ein-/Aus-Schalter (1), um das Gerät auszuschalten.

Hinweis: Stecken Sie immer die Hand in den SteaMitt™, bevor Sie die Dampftaste drücken.

Achtung! Stellen Sie den Dampfreiniger – ungeachtet der jeweiligen Oberfläche – keinesfalls längere Zeit an einer Stelle ab.

Stellen Sie den Dampfreiniger stets mit dem abgestützten Griff (8) in aufrechter Stellung ab. Stellen Sie sicher, dass der Dampfreiniger ausgeschaltet ist, wenn dieser nicht verwendet wird.

Achtung! Leeren Sie den Dampfreiniger nach jedem Gebrauch.

Hinweis! Nach dem ersten Befüllen oder nachdem der Tank vollständig leer war, kann es bis zu 45 Sekunden dauern, bis Dampf erzeugt wird.

Autoselect™-Technologie (Abb. P)

Dieser Dampfreiniger ist mit einer Autoselect™-Programmwahl (2) für unterschiedliche Reinigungsanwendungen ausgestattet. Die Programmwahl dient zum Auswählen des richtigen Betriebsmodus für die entsprechende Reinigungsanwendung.

Wählen Sie über Autoselect™ eine der folgenden Anwendungen aus, indem Sie den Autoselect™-Regler (2) drehen, bis die gewünschte Einstellung angezeigt wird.

Einstellung	Mopp	Handgerät
	Holz/Laminat	Geringe Dampfmenge ●
	Fiesen/PVC	Mittlere Dampfmenge ● ●
	Stein/Marmor	Hohe Dampfmenge ● ● ●

Der richtige Dampfstoß für die entsprechende Reinigungsanwendung wird vom Dampfreiniger automatisch ausgewählt.

Hinweis: Überprüfen Sie vor dem Verwenden des Dampfreinigers stets, ob die richtige Einstellung ausgewählt ist.

Hinweise für optimale Arbeitsergebnisse

Allgemeines

Vorsicht: Verwenden Sie den Dampfreiniger keinesfalls ohne Reinigungstuch.

- ◆ Reinigen Sie den Boden vor der Verwendung des Dampfreinigers stets mit einem Staubsauger bzw. einem Besen.
- ◆ Das Gerät lässt sich am einfachsten verwenden, wenn Sie den Griff in einem Winkel von 45° Grad neigen und jeweils nur eine kleine Fläche bearbeiten.
- ◆ Verwenden Sie den Dampfreiniger nur mit Wasser ohne Zusätze oder Chemikalien. Hartnäckige Flecken auf PVC- oder Linoleumböden können mit einem milden Reinigungsmittel und Wasser vorbehandelt werden, um die Arbeit mit dem Dampfreiniger zu erleichtern.

Dampfreinigung mit dem Mopp

- ◆ Bringen Sie den Handdampfreiniger (5) am Gerätegehäuse (11) an.
- ◆ Legen Sie ein Reinigungstuch (13) mit den Klettverschlüssen nach oben auf den Boden.
- ◆ Drücken Sie den Dampfreiniger vorsichtig auf das Bodentuch (13).
- ◆ Schließen Sie den Dampfreiniger an die Stromversorgung an.
- ◆ Drücken Sie den Ein-/Aus-Schalter (1). Der Dampfreiniger benötigt zum Erreichen der Betriebstemperatur ca. 15 Sekunden.
- ◆ Stellen Sie die Autoselect™-Programmwahl (2) auf die gewünschte Einstellung. Nach wenigen Sekunden tritt Dampf aus dem Reinigungskopf aus.

Hinweis! Nach dem ersten Befüllen oder nachdem der Tank vollständig leer war, kann es bis zu 45 Sekunden dauern, bis Dampf erzeugt wird.

- ◆ Es dauert einige Sekunden, bis der Dampf das Bodentuch durchdringt. Anschließend gleitet der Dampfreiniger mühelos über die zu reinigende Oberfläche.
- ◆ Bewegen Sie den Dampfreiniger langsam über die Oberfläche, um alle Bereiche gründlich zu reinigen.
- ◆ Wenn Sie mit der Arbeit mit dem Dampfreiniger fertig sind, stellen Sie den Griff (8) in die aufrechte Position, so dass er abgestützt wird, und schalten Sie das Gerät AUS. Warten Sie, bis der Dampfreiniger abgekühlt ist, bevor Sie diesen verstauen (etwa fünf Minuten).

Achtung! Achten Sie stets auf den Wasserpegel im Tank. Bewegen Sie den Dampfreiniger in die aufrechte Stellung, so dass der Griff abgestützt ist, und schalten Sie das Gerät aus, um den Wassertank aufzufüllen und mit dem Reinigen fortzufahren. Trennen Sie das Gerät von der Stromversorgung und befüllen Sie den Wassertank.

Achtung! Stellen Sie den Dampfreiniger – ungeachtet der jeweiligen Oberfläche – keinesfalls längere Zeit an einer Stelle ab.

Stellen Sie den Dampfreiniger stets mit dem abgestützten Griff (8) in aufrechter Stellung ab. Stellen Sie sicher, dass der Dampfreiniger ausgeschaltet ist, wenn dieser nicht verwendet wird.

Behandeln von Teppichböden

- ◆ Legen Sie ein Reinigungstuch (13) mit den Klettverschlüssen nach oben auf den Boden.
- ◆ Drücken Sie den Dampfreiniger vorsichtig auf das Reinigungstuch.
- ◆ Legen Sie den Teppichgleiter (12d) auf den Boden.
- ◆ Drücken Sie den Dampfreiniger vorsichtig auf den Teppichgleiter, bis dieser einrastet.
- ◆ Schließen Sie den Dampfreiniger an die Stromversorgung an.
- ◆ Drücken Sie den Ein-/Aus-Schalter (1). Der Dampfreiniger benötigt zum Erreichen der Betriebstemperatur ca. 15 Sekunden.
- ◆ Drehen Sie die Autoselect™-Programmwahl (2) auf die Stellung für Holz/Laminat.
- ◆ Bewegen Sie den Dampfreiniger langsam über den Teppich, um alle Bereiche gründlich zu behandeln.
- ◆ Wenn Sie mit der Arbeit mit dem Dampfreiniger fertig sind, stellen Sie den Griff (8) wieder in die aufrechte Position und schalten Sie das Gerät AUS. Warten Sie, bis der Dampfreiniger abgekühlt ist, bevor Sie diesen verstauen (etwa fünf Minuten).

Nach dem Gebrauch

- ◆ Stellen Sie die Autoselect™-Programmwahl (2) in die Position 'OFF' (AUS).
- ◆ Warten Sie, bis der Dampfreiniger abgekühlt ist, bevor Sie diesen verstauen.
- ◆ Ziehen Sie den Netzstecker.
- ◆ Leeren Sie den Wassertank.
- ◆ Entfernen Sie das Reinigungstuch (13) und waschen Sie es, damit es für den nächsten Einsatz bereit ist. (Beachten Sie die Pflegehinweise auf dem Reinigungstuch.)
- ◆ Wickeln Sie das Netzkabel um die dafür vorgesehenen Halterungen (7 und 9).
- ◆ Der Handgriff (6) verfügt über eine Öse (15), mit der der Dampfreiniger an einem geeigneten Wandhaken aufgehängt werden kann. Achten Sie darauf, dass der Haken ausreichend tragfähig ist, um das Gewicht des Dampfreinigers sicher zu halten.
- ◆ Am Griff befindet sich außerdem ein Gummistopper, um den Dampfreiniger sicher an einer senkrechten Fläche abstellen zu können.

Verwenden des Handdampfreinigers

Warnung! Das Gerät gibt keinen Dampf aus, wenn es nicht mit dem Hauptteil (11) oder dem Dampfschlauch (16) verbunden ist.

Warnung! Verwenden Sie ihn nur in horizontaler Position.

- ◆ Bringen Sie das gewünschte Zubehörteil an.
- ◆ Stecken Sie den Netzstecker des Handdampfreinigers ein.
- ◆ Drücken Sie den Ein-/Aus-Schalter (1).
Der Dampfreiniger benötigt zum Erreichen der Betriebstemperatur ca. 15 Sekunden.
- ◆ Stellen Sie die Autoselect™-Programmwahl (2) auf die gewünschte Einstellung. Nach wenigen Sekunden tritt Dampf aus dem Reinigungskopf aus.

Hinweis! Nach dem ersten Befüllen oder nachdem der Tank vollständig leer war, kann es bis zu 45 Sekunden dauern, bis Dampf erzeugt wird.

- ◆ Wenn Sie mit der Arbeit mit dem Handdampfreiniger fertig sind, stellen Sie die Autoselect™-Programmwahl (2) in die Position 'OFF' (AUS). Schalten Sie das Gerät aus, indem Sie den Ein-/Aus-Schalter (1) drücken und den Netzstecker aus der Steckdose ziehen. Warten Sie, bis das Gerät abgekühlt ist, bevor Sie es verstauen (ca. fünf Minuten).

Zubehör

Das verwendete Zubehör hat wesentlichen Einfluss auf die Leistung des Geräts. Zubehörteile von BLACK+DECKER erfüllen höchste Qualitätsstandards und wurden speziell für die Verwendung mit Ihrem Gerät entwickelt. Bei Verwendung dieses Zubehörs erhalten Sie stets optimale Ergebnisse.

Technische Daten

	Spannung	Elektro- werkzeuge	Fassungsvor- mögen des Tanks	Aufwärm- zeit	Kabellänge	Gewicht
	V_{AC}	W	ml	Sek	m	kg
FSMH1321	230	1600	500	≈20	6	2,7
BHSM168D	230	1600	500	≈20	6	2,8
BHSM168U	230	1600	500	≈20	6	2,8
BHSM166DSM	230	1600	500	≈20	6	2,8
BHSM1615DSM	230	1600	500	≈20	7	2,9
BHSM1615DAM	230	1600	500	≈20	7	2,9
BHSM1615DSG	230	1600	500	≈20	8	2,9
BHSM168DSM	230	1600	500	≈20	8	2,9
BHSM169DSM	230	1600	500	≈20	8	2,9
BHSM1610DSM	230	1600	500	≈20	8	2,9

Fehlerbehebung

Wenn das Gerät nicht richtig zu funktionieren scheint, befolgen Sie die nachfolgenden Hinweise. Sollte sich das Problem nicht beheben lassen, wenden Sie sich an eine BLACK+DECKER Vertragswerkstatt in Ihrer Nähe.

Problem	Schritt	Mögliche Lösung
Der Dampfreiniger lässt sich nicht einschalten	1.	Überprüfen Sie, ob der Stecker in der Steckdose steckt.
	2.	Prüfen Sie, ob das Gerät mit dem Ein-/Aus-Schalter (1) eingeschaltet wurde.
	3.	Prüfen Sie die Sicherung im Stecker.

Problem	Schritt	Mögliche Lösung
Der Dampfreiniger erzeugt keinen Dampf	4.	Der Dampfreiniger erzeugt nur Dampf, wenn der Handdampfreiniger (5) richtig in das Hauptteil (11) eingesteckt oder der Dampfschlauch angebracht wurde oder wenn die Autoselect™-Programmwahl auf ON (EIN) steht.
	5.	Überprüfen Sie, ob der Wassertank voll ist. Hinweis: Nach dem ersten Befüllen oder nachdem der Tank vollständig leer war, kann es bis zu 45 Sekunden dauern, bis Dampf erzeugt wird.
	6.	Überprüfen Sie Schritt 1, dann 2, dann 3.
Der Dampfreiniger hört während der Verwendung mit der Dampferzeugung auf.	7.	Überprüfen Sie Schritt 4, dann 5, dann 3.
Der Dampfreiniger erzeugt bei der Verwendung zu viel Dampf.	8.	Drehen Sie die Autoselect™-Programmwahl (2) gegen den Uhrzeigersinn, um die Menge an erzeugtem Dampf zu reduzieren.
Der Dampfreiniger erzeugt bei der Verwendung zu wenig Dampf.	9.	Drehen Sie die Autoselect™-Programmwahl (2) im Uhrzeigersinn, um die Menge an erzeugtem Dampf zu erhöhen.
Der Handdampfreiniger erzeugt keinen Dampf.	10.	Überprüfen Sie, ob die Autoselect™-Programmwahl (2) in der Position 'ON' (EIN) steht.
	11.	Überprüfen Sie Schritt 5, dann 1, dann 2, dann 3.
Der Handdampfreiniger erzeugt bei der Verwendung zu wenig Dampf.	12.	Drehen Sie die Autoselect™-Programmwahl (2) im Uhrzeigersinn, um die Menge an erzeugtem Dampf zu erhöhen.
	13.	Überprüfen Sie Schritt 5
Der Handdampfreiniger erzeugt bei der Verwendung zu viel Dampf.	14.	Drehen Sie die Autoselect™-Programmwahl (2) gegen den Uhrzeigersinn, um die Menge an erzeugtem Dampf zu reduzieren.
Das Zubehör fällt immer vom Gerät ab.	15.	Beachten Sie das Kapitel "Montage" mit Anweisungen zum richtigen Anbringen von Teilen und Zubehör.
Aus unerwarteten Stellen des Geräts tritt Dampf aus.	16.	Beachten Sie das Kapitel "Montage" mit Anweisungen zum richtigen Anbringen von Teilen und Zubehör.
Wo kann ich weitere Informationen/Zubehör bekommen?	17.	www.blackanddecker.co.uk/steammp www.blackanddecker.ie/steammp

Pflege und Reinigung

Ihr BLACK+DECKER-Gerät mit Netzkabel wurde im Hinblick auf eine lange Lebensdauer und einen möglichst geringen Wartungsaufwand entwickelt. Ein kontinuierlicher, zufriedenstellender Betrieb hängt von der richtigen Pflege des Gerätes und seiner regelmäßigen Reinigung ab.

Warnung! Ziehen Sie den Netzstecker des Geräts aus der Steckdose und schalten Sie das Gerät aus, bevor Sie mit Wartungs- oder Reinigungsarbeiten am Gerät beginnen.

- ◆ Reinigen Sie das Gerät regelmäßig mit einem weichen, feuchten Tuch.
- ◆ Harthäckige Flecken lassen sich mit milder Seifenlauge und einem feuchten Tuch entfernen.

Pflegen der Bodentücher

Pflegehinweise - Die Tücher können bei 60°C gewaschen werden. Keinen Weichspüler verwenden. Vor der erneuten Verwendung vollständig trocknen lassen.

Achtung! Befolgen Sie die Pflegehinweise auf dem Bodentuch.

Austauschen des Netzsteckers (nur Großbritannien und Irland)

Wenn ein neuer Netzstecker angebracht werden muss:

- ◆ Entsorgen Sie den alten Stecker auf sachgerechte Weise.
- ◆ Verbinden Sie die braune Leitung mit dem spannungsführenden Anschluss des Steckers.
- ◆ Verbinden Sie die blaue Leitung mit dem neutralen Anschluss.
- ◆ Verbinden Sie die grün/gelbe Leitung mit dem Masseanschluss.

Warnung! Befolgen Sie die Montageanweisungen, die mit hochwertigen Steckern mitgeliefert werden. Empfohlene Sicherung: 13A.

Umweltschutz



Getrennte Entsorgung. Produkte und Akkus mit diesem Symbol dürfen nicht mit dem normalen Hausmüll entsorgt werden.

Produkte und Akkus enthalten Materialien, die wiederverwertet werden können, um den Bedarf an Rohstoffen zu verringern. Bitte recyceln Sie elektrische Produkte und Akkus gemäß den örtlichen Bestimmungen.

Weitere Informationen finden Sie auf www.2helpU.com

Garantie

Black & Decker vertraut auf die Qualität der eigenen Geräte und bietet dem Käufer eine außergewöhnliche Garantie von 24 Monaten ab Kaufdatum. Diese Garantie versteht sich unbeschadet der gesetzlichen Gewährleistungsansprüche und schränkt diese keinesfalls ein. Diese Garantie gilt innerhalb der Staatsgebiete der Mitgliedstaaten der Europäischen Union und der Europäischen Freihandelszone.

Zur Inanspruchnahme dieser Garantie muss sie den allgemeinen Geschäftsbedingungen von Black + Decker entsprechen und dem Verkäufer bzw. der Vertragswerkstatt ist ein Kaufnachweis vorzulegen. Die Bedingungen für die 2-jährige Garantie von Black&Decker und den Standort Ihrer nächstgelegenen Vertragswerkstatt finden Sie im Internet unter www.2helpU.com oder indem Sie sich an die lokale Black&Decker-Niederlassung wenden, deren Adresse Sie in dieser Anleitung finden.

Ihr neues Black & Decker Produkt können Sie auf unserer Website unter www.blackanddecker.de registrieren. Dort erhalten Sie auch Informationen über neue Produkte und Sonderangebote.

Utilisation prévue

Votre balai vapeur BLACK+DECKER™ FSMH1321, BHSM166DSM, BHSM168D, BHSM168DSM, BHSM168U, BHSM169DSM, BHSM1610DSM, BHSM1615DSM, BHSM1615DSG, BHSM1615DAM a été conçu pour désinfecter et laver les parquets en bois dur vitrifiés, les parquets stratifiés vitrifiés, les sols en linoléum, en vinyle, en carrelage, en pierre et en marbre. Cet appareil est exclusivement destiné à une utilisation domestique, à l'intérieur.

Consignes de sécurité



Avertissement ! Veillez à lire tous les avertissements sur la sécurité et toutes les instructions. Le non-respect des avertissements et des instructions listés ci-dessous peut entraîner des décharges électriques, des incendies et/ou de graves blessures.



Avertissement ! L'utilisation d'appareils alimentés sur secteur implique le respect de certaines précautions de sécurité élémentaires, dont celles qui suivent, afin de réduire les risques d'incendie, de décharge électrique, de blessures et de dégâts matériels.

- ◆ Ce manuel décrit la manière d'utiliser cet appareil.
- ◆ L'utilisation d'un accessoire ou d'un équipement autre que ceux recommandés dans ce manuel et l'utilisation de cet appareil à d'autres fins que celles recommandées dans ce manuel d'utilisation peuvent entraîner un risque de blessures.

- ◆ Conservez ce manuel pour pouvoir vous y référer dans le futur.

Utiliser votre appareil

- ◆ Ne dirigez jamais la vapeur vers des personnes, des animaux, des appareils électriques ou des prises de courant.
- ◆ N'exposez pas l'appareil à l'eau.
- ◆ Ne plongez pas l'appareil dans l'eau.
- ◆ Ne laissez pas l'appareil sans surveillance.
- ◆ Ne laissez pas l'appareil branché lorsqu'il n'est pas utilisé.
- ◆ Ne tirez jamais sur le câble électrique pour débrancher l'appareil. Maintenez le câble électrique à l'écart de toute source de chaleur, de zones grasses et de bords tranchants.
- ◆ Veillez à ne pas manipuler le nettoyeur vapeur si vous avez les mains mouillées.
- ◆ Ne tirez pas sur le câble électrique et ne portez pas l'appareil par son câble électrique, n'utilisez pas le câble électrique comme poignée, veillez à ne pas refermer de porte sur le câble et à ne pas faire passer le câble dans des angles saillants ou des surfaces chaudes.
- ◆ N'utilisez pas l'appareil dans des espaces clos en présence de vapeurs de diluant pour peinture à l'huile, de certaines substances fongicides, de poussières inflammables ou d'autres vapeurs explosives ou toxiques.
- ◆ Vérifiez le type de vos sols auprès du fabricant.

- ◆ N'utilisez pas l'appareil sur du cuir, des meubles ou des sols cirés, des tissus synthétiques, du velours ou d'autres matières délicates sensibles à la vapeur.



- Avvertissement !** N'utilisez pas l'appareil sur du parquet non vitrifié ou du parquet stratifié non vitrifiés. Sur les surfaces traitées avec de la cire ou sur certains sols non cirés, la chaleur et les vapeurs peuvent faire disparaître la brillance. Il est toujours recommandé de faire un test sur une zone isolée de la surface à nettoyer avant de commencer. Nous vous recommandons également de vérifier les consignes d'utilisation et d'entretien du fabricant de votre sol.
- ◆ N'ajoutez jamais de produits détartrants, aromatiques, à base d'alcool ou de détergents dans le nettoyeur à vapeur, car cela pourrait l'endommager ou rendre son utilisation dangereuse.
 - ◆ Si le disjoncteur se déclenche pendant l'utilisation de la fonction Vapeur, cessez immédiatement d'utiliser le produit et contactez le service client. (Soyez prudent face au risque de décharge électrique).
 - ◆ L'appareil diffuse de la vapeur extrêmement chaude pour désinfecter la zone où il est utilisé.

Cela signifie que la tête qui diffuse la vapeur, les lavettes et l'accessoire pour tapis et moquette deviennent très chauds pendant l'utilisation.

Attention ! Portez toujours des chaussures adaptées pour utiliser le balai vapeur ainsi que pour changer les accessoires. Veillez à ne pas être en chaussons ou en de pieds-nus.

- ◆ Le couvercle peut devenir chaud pendant l'utilisation.
- ◆ Il se peut que de la vapeur s'échappe de l'appareil pendant l'utilisation. Veillez à prendre toutes les précautions nécessaires lorsque vous utilisez l'appareil. **NE TOUCHEZ AUCUNE PIÈCE** qui pourrait devenir chaude.
- ◆ Éteignez l'appareil et remettez le manche à la verticale avant de retirer le réservoir d'eau.
- ◆ Si de la vapeur s'échappe du corps du nettoyeur vapeur portatif, éteignez l'appareil et débranchez-le du secteur avant de le laisser refroidir. Contactez le réparateur agréé le plus proche de chez vous. N'utilisez plus l'appareil.

Après utilisation

- ◆ Débranchez l'appareil et laissez-le refroidir avant de le nettoyer.
- ◆ Lorsque vous n'utilisez pas l'appareil, rangez-le dans un endroit sec.
- ◆ Les enfants ne doivent pas avoir accès aux appareils une fois qu'ils sont rangés.

Inspections et réparations

- ◆ Débranchez l'appareil et laissez-le refroidir avant de réaliser toute opération de maintenance ou de réparation.
- ◆ Avant d'utiliser l'appareil, vérifiez qu'aucune pièce n'est endommagée ou défectueuse. Contrôlez qu'aucune pièce n'est cassée, qu'aucun interrupteur n'est endommagé et contrôlez l'absence de toute autre anomalie susceptible de nuire au bon fonctionnement de l'appareil.
- ◆ Vérifiez régulièrement l'état du fil électrique.
- ◆ N'utilisez pas l'appareil si une quelconque pièce est endommagée ou défectueuse.
- ◆ Faites réparer ou remplacer les pièces défectueuses ou endommagées par un réparateur agréé.
- ◆ Ne tentez jamais de retirer ou de remplacer des pièces autres que celles citées dans ce manuel.

Sécurité des personnes

- ◆ Cet appareil peut être utilisé par des personnes aux capacités physiques, sensorielles ou intellectuelles réduites ou qui manquent d'expérience et de connaissances, à condition qu'elles soient supervisées ou qu'elles aient été formées sur l'utilisation sûre de l'appareil et qu'elles soient conscientes des risques potentiels. Les enfants ne doivent pas jouer avec l'appareil.

- ◆ Ne laissez jamais les enfants sans surveillance afin d'éviter qu'ils ne jouent avec l'appareil.
- ◆ La prise doit être débranchée de la prise murale avant le nettoyage ou l'entretien de l'appareil.
- ◆ Le liquide ou la vapeur ne doivent en aucun cas être dirigés vers des équipements contenant des composants électriques, comme l'intérieur d'un four par exemple.
- ◆ L'appareil ne doit pas être laissé sans surveillance tant qu'il est branché.
- ◆ L'appareil ne doit pas être utilisé s'il a chuté, s'il présente des signes visibles de dommages ou s'il fuit.
- ◆ Gardez l'appareil hors de portée des enfants lorsqu'il est sous tension ou pendant qu'il refroidit.
- ◆ Ne pointez et ne dirigez jamais le gant vers vous-même ou d'autres personnes.
- ◆ Des précautions doivent être prises lors de l'utilisation de l'appareil en raison de l'émission de vapeur.
- ◆ Débranchez l'appareil pendant le remplissage et le nettoyage.
- ◆ Le cuiseur vapeur ne doit pas être laissé sans surveillance lorsqu'il est branché sur le secteur.
- ◆ Le défroisseur à vapeur ne doit pas être utilisé s'il est tombé, s'il y a des signes visibles de dommages ou s'il fuit.
- ◆ Keep the fabric steamer and its cord out of reach of children less than 8 years of age when it is energized or cooling down.

Risques résiduels

Certains risques résiduels autres que ceux mentionnés dans les avertissements sur la sécurité peuvent survenir en utilisant l'outil. Ces risques peuvent être dus à une utilisation incorrecte, prolongée, etc. Malgré le respect de toutes les réglementations pertinentes sur la sécurité et la mise en œuvre de dispositifs de sécurité, certains risques résiduels ne peuvent pas être évités. Ils comprennent :

- ◆ Les blessures dues au contact avec des pièces mobiles.
- ◆ Les blessures dues au contact avec des pièces chaudes.
- ◆ Les blessures dues au remplacement de pièces ou d'accessoires.
- ◆ Les blessures dues à l'utilisation prolongée de l'appareil. Lorsque vous utilisez un appareil quel qu'il soit pendant de longues périodes, veillez à faire des pauses régulières.

Sécurité électrique



Avertissement ! Avertissement ! Cet appareil doit être relié à la terre. Assurez-vous toujours que l'alimentation électrique correspond à la tension mentionnée sur la plaque signalétique.

La fiche d'alimentation doit correspondre à la prise de courant. Ne modifiez jamais la prise d'aucune sorte.

L'utilisation de prises d'origine et de prises murales appropriées permet de réduire le risque de décharge électrique

- ◆ Si le câble d'alimentation est endommagé, il doit être remplacé par le fabricant ou par un centre d'assistance agréé BLACK+DECKER afin d'éviter tout risque.

Rallonges et produit de Classe 1

- ◆ Un câble tripolaire doit être utilisé car votre appareil est de classe 1 et qu'il est relié à la terre.
- ◆ Veuillez à toujours utiliser une rallonge homologuée et adaptée à la puissance absorbée de cet appareil (voir les caractéristiques techniques). Une rallonge de 30m de section 1,50mm² peut être utilisée sans perte de puissance. Avant l'utilisation, contrôlez l'absence de traces de dommage, d'usure ou de vieillissement sur la rallonge. Remplacez la rallonge si elle est endommagée ou défectueuse. Si vous utilisez un enrouleur de câble, déroulez toujours le câble complètement.

Étiquettes apposées sur l'appareil

Les pictogrammes suivants ainsi que le code date sont apposés sur l'outil.



ATTENTION ! Vapeur brûlante



Ruissellement d'eau lorsque l'appareil est utilisé à l'envers



La vapeur s'échappe de tous les côtés



Ne laissez jamais l'appareil sans surveillance en présence de jeunes enfants



Nettoyage à la main uniquement



ATTENTION ! Surface chaude

Caractéristiques

Cet appareil présente tout ou partie des caractéristiques suivantes.

1. Interrupteur Marche/Arrêt
2. Molette Autoselect™
3. Poignée de l'appareil à vapeur portatif
4. Bouchon de remplissage
5. Appareil à vapeur portatif
6. Poignée
7. Crochet supérieur de retenue du câble
8. Poignée principale
9. Crochet inférieur de retenue du câble
10. Bouton de libération de l'appareil à vapeur portatif
11. Corps principal
12. Tête pour le nettoyage des sols
- 12a. Tête pour le nettoyage des sols avec section triangulaire relevée
- 12b. Tête triangulaire
- 12c. Patte pour le retrait de la tête diffusant la vapeur
- 12d. Accessoire de glisse pour les tapis/moquettes
13. Lavette pour le nettoyage des sols
14. Patte de libération de la lavette de nettoyage des sols
15. Patte d'accrochage
16. Tuyau de vapeur
17. Buse de vapeur
18. Brosse coudée (pour les taches tenaces)
- 18a. Brosse coudée (brosse métallique)
19. Brosse (pour le carrelage / les joints)
20. Raclette (pour les parois de douches / le verre / les miroirs / les garnitures/ les tissus d'ameublement)
- 20a. Chaussette pour la raclette
21. Grande raclette (pour les parois de douches / le verre / les miroirs / les garnitures/ les tissus d'ameublement)
- 21a. Chaussette pour la grande raclette

22. Brosse à jet de vapeur
 22a. Brosse métallique à jet de vapeur (pour les barbecues/ fours)
 22b. Brosse à jet de vapeur (pour les barbecues / fours / réchauds / robinets / joints)
 22c. Brosse large à jet de vapeur (pour les plus grandes surfaces)
 23. Lavette pour la tête triangulaire.
 24. SteaMitt™
 25. Tuyau SteaMitt™
 26. Patin de nettoyage SteaMitt™
 27. Patin de nettoyage 2 SteaMitt™
 28. Lavette pour le nettoyage des sols ultra absorbante
 29. Brosse large avec raclette intégrée

Configuration

	F S M H 1 3 2 1	B H S M 1 6 8 D	B H S M 1 6 8 U	B H S M 1 6 6 D S M	B H S M 1 6 8 D S M	B H S M 1 6 9 D S M	B H S M 1 6 1 1 0 D S M	B H S M 1 6 1 1 5 D S M	B H S M 1 6 1 1 5 D S G	B H S M 1 6 1 1 5 D A M	S E T T I N G S
12	✓										Tous
12a		✓	✓	✓	✓	✓	✓	✓	✓	✓	Tous
12d		✓	✓	✓	✓	✓	✓	✓	✓	✓	Tous
13	✓	✓	✓	✓	✓	✓	✓	✓	✓	✓	Tous
16	✓	✓	✓	✓	✓	✓	✓	✓	✓	✓	Tous
18	✓	✓	✓	✓	✓	✓	✓	✓	✓		*
18a					✓		✓				...
19	✓	✓	✓	✓	✓	✓	✓	✓	✓		...
20	✓			✓	✓	✓	✓				*
20a	✓			✓	✓	✓	✓				*
21		✓	✓			✓		✓	✓	✓	*
21a					✓			✓	✓	✓	*
22						✓				✓	Tous
22a					✓		✓			✓	Tous
22b					✓		✓			✓	Tous
22c					✓		✓			✓	Tous
23		✓	✓	✓	✓	✓	✓	✓	✓	✓	Tous
24				✓	✓	✓	✓	✓	✓	✓	Tous
25				✓	✓	✓	✓	✓	✓	✓	Tous
26				✓	✓	✓	✓	✓	✓	✓	Tous
27								✓	✓	✓	Tous
28								✓	✓	✓	Tous
29								✓	✓		Tous

Assemblage



Avertissement ! Avant d'exécuter ce qui suit, assurez-vous que l'appareil est éteint, débranché, qu'il est froid et qu'il ne contient pas d'eau.

Fixer le manche (Fig. A)

- ◆ Glissez l'extrémité du manche (8) en haut du corps du balai vapeur (11) jusqu'à ce qu'elle s'enclenche en place.

Fixer le nettoyeur vapeur portatif (Fig. B)

- ◆ Tout en maintenant l'arrière du corps du balai vapeur (11), poussez fermement le nettoyeur vapeur portatif (5) dans le corps du balai vapeur (11) en vous assurant qu'il est correctement en place dans le raccord (11a) et qu'il est bien enclenché.

Retirer le nettoyeur vapeur portatif (Fig. B)

- ◆ Enfoncez le bouton de libération (10) sur le corps principal (11) et soulevez le nettoyeur vapeur portatif (5) hors du raccord (11a) pour l'éloigner du corps principal (11).

Installer une lavette (Fig. C)

Vous trouverez des lavettes de rechange auprès de votre revendeur BLACK+DECKER :- (n° de pièce FSMP20-XJ).

- ◆ Placez une lavette (13) sur le sol, côté Velcro vers le haut.
- ◆ Appuyez doucement le balai vapeur sur la lavette (13).

Remarque : Cet appareil peut être livré avec une tête de nettoyage pour sols standard (12) ou une tête de nettoyage à jet de vapeur (12a). Dans les deux cas, utilisez ces instructions pour installer la lavette.

Attention ! Ne laissez jamais le balai vapeur trop longtemps au même endroit. Placez toujours le balai vapeur, manche (8) à la verticale et assurez-vous que le balai est éteint lorsqu'il n'est pas utilisé.

Retirer la lavette

Attention ! Portez toujours des chaussures adaptées pour remplacer la lavette de votre balai vapeur.

Veillez à ne pas être en chaussons ou en pieds-nus.

- ◆ Remplacez le manche (8) à la verticale et éteignez le balai vapeur.
- ◆ Attendez que le balai vapeur ait refroidi (5 minutes environ).
- ◆ Soulevez le balai vapeur de la lavette pour le libérer du Velcro.

Attention ! Ne laissez jamais le balai vapeur trop longtemps au même endroit.

Placez toujours le balai vapeur, manche (8) à la verticale et assurez-vous que le balai est éteint lorsqu'il n'est pas utilisé.

Remplir le réservoir d'eau (Fig. O)

Remarque ! Remplissez le réservoir d'eau avec de l'eau propre du robinet (n'utilisez aucun additif ou produit chimique).

Remarque ! Dans les zones où l'eau est très dure, l'utilisation d'eau déminéralisée est recommandée.

- ◆ Ouvrez le bouchon de remplissage (4) en le basculant vers le haut.
- ◆ Remplissez le réservoir avec de l'eau (n'utilisez aucun additif ou produit chimique).

Avertissement ! Pour le remplissage, détachez-le du module principal et gardez-le à l'horizontal.

Avertissement ! La capacité du réservoir d'eau est de 0,5 litre. Ne remplissez pas trop le réservoir.

- ◆ Refermez le bouchon de remplissage (4).

Remarque ! Assurez-vous que le bouchon de remplissage est fermement refermé.

Fixer l'accessoire de glisse pour les tapis (12d) (à n'utiliser que sur les tapis/moquettes)

- ◆ Placez l'accessoire de glisse pour tapis (12d) sur le sol.
- ◆ Fixez une lavette sur la tête de nettoyage pour sols (12,12a)
- ◆ Appuyez doucement le balai vapeur sur l'accessoire de glisse pour tapis (12d) jusqu'à ce qu'il s'enclenche en place.

Attention ! Ne laissez jamais le balai vapeur trop longtemps au même endroit. Placez toujours le balai vapeur, manche (8) à la verticale et assurez-vous que le balai est éteint lorsqu'il n'est pas utilisé.

Retirer l'accessoire pour tapis

Attention ! Portez toujours des chaussures adaptées pour changer l'accessoire moquette du balai vapeur. Veillez à ne pas être en chaussons ou en de pieds-nus.

- ◆ Remplacez le manche (8) à la verticale et éteignez le balai vapeur.
- ◆ Attendez que le balai vapeur ait refroidi (5 minutes environ).
- ◆ Placez l'avant de votre chaussure sur la languette de libération de l'accessoire pour tapis et appuyez fermement dessus.
- ◆ Soulevez le balai vapeur pour dégager l'accessoire pour tapis.

Attention ! Ne laissez jamais le balai vapeur trop longtemps au même endroit. Placez toujours le balai vapeur, manche (8) à la verticale et assurez-vous que le balai est éteint lorsqu'il n'est pas utilisé.

Tête triangulaire (Fig. D)

Ce balai vapeur intègre une tête triangulaire qui vous permet d'accéder dans les coins et les espaces restreints.

Attention ! Portez toujours des chaussures adaptées pour utiliser la tête triangulaire du balai vapeur. Veillez à ne pas être en chaussons ou en de pieds-nus.

- ◆ Éteignez le balai vapeur
- ◆ Attendez que le balai vapeur ait refroidi (environ cinq minutes).
- ◆ Posez l'avant de votre chaussure sur la languette de libération de la tête vapeur (12c) et appuyez doucement vers le bas.
- ◆ Soulevez la tête triangulaire (12b) pour dégager la tête vapeur (12a)
- ◆ Installez la lavette pour la tête triangulaire sur la tête triangulaire.

Remarque : Retirez la lavette avant de réinstaller la tête triangulaire sur la tête vapeur.

- ◆ Pour réinstaller la tête triangulaire, placez l'extrémité de la tête triangulaire sur la tête vapeur, puis appuyez fermement en vous assurant que la tête triangulaire s'enclenche bien en place.

Fixer le tuyau et les accessoires sur le nettoyeur vapeur portatif (Fig. G - M)

Avertissement ! Contrôlez le joint entre le point de raccordement du nettoyeur vapeur portatif (5) et le tuyau de vapeur (16) avant chaque utilisation. Si le joint dysfonctionne ou s'il est endommagé, contactez votre réparateur agréé le plus proche. N'utilisez plus l'appareil.

Fixer le tuyau

- ◆ Enfoncez le bouton de libération du tuyau de vapeur (16a) sur le tuyau de vapeur (16).
- ◆ Raccordez le tuyau de vapeur (16) au nettoyeur vapeur portatif (5) et relâchez le bouton de libération du tuyau de vapeur (16a) en vous assurant que le tuyau s'enclenche bien en place.

Important ! Assurez-vous que le tuyau de vapeur (16) est correctement raccordé avant d'utiliser le nettoyeur vapeur portatif (5). Si de la vapeur s'échappe du joint, cela indique que le tuyau n'est pas correctement installé. Éteignez l'appareil et laissez-le refroidir avant de retirer et de réinstaller le tuyau.

Fixer des accessoires (Fig. H)

- ◆ Alignez les pattes sur la buse vapeur (17) avec les encoches de l'accessoire.
- ◆ Enfoncez l'accessoire sur la buse vapeur (17) et tournez-le dans le sens inverse des aiguilles d'une montre jusqu'à ce qu'il s'enclenche en place.

Important ! Tous les accessoires, à l'exception du SteaMitt™ (24) qui dispose de son propre tuyau et son propre raccord (25) qui doivent être raccordés au tuyau de vapeur (16) pour être utilisés.

Retrait du tuyau et des accessoires

Avertissement ! Le tuyau de vapeur (16), la buse vapeur (17) et les accessoires deviennent chauds pendant l'utilisation. Laissez l'appareil et tous les accessoires refroidir avant de les retirer.

Retirer un accessoire

- ◆ Tournez l'accessoire dans le sens des aiguilles d'une montre, avant de le tirer hors du tuyau (16).

Retirer le tuyau

- ◆ Appuyez sur le bouton de libération du tuyau de vapeur (16a) sur le tuyau de vapeur (16) et retirez ce dernier du nettoyeur vapeur portatif.

Steamiitt™

Votre BLACK+DECKER™ Steamiitt™ a été conçu pour désinfecter et nettoyer les carrelages, plans de travail, surfaces de cuisines et de salles de bain. Cet appareil est exclusivement destiné à une utilisation domestique, à l'intérieur.

Fixer le tuyau du Steamiitt™ sur le nettoyeur vapeur portatif

Avertissement ! Inspectez le joint de la buse vapeur et le tuyau avant chaque utilisation. Si le joint est endommagé ou manquant, contactez le réparateur agréé Black & Decker le plus proche.

N'utilisez plus l'appareil. Inspectez le joint du Steamiitt™ et le tuyau.

Si le joint manque, s'il est endommagé ou que de la vapeur s'échappe, contactez votre réparateur agréé le plus proche.

N'utilisez plus l'appareil. Assurez-vous que le tuyau du Steamiitt™ ou le tube raccord ne sont ni bloqués ni entravés. S'ils le sont, contactez le centre de réparation agréé le plus proche. **N'utilisez plus l'appareil.**

Installer un patin de nettoyage sur le Steamiitt™ (Fig. J)

Avertissement ! Assurez-vous que les orifices d'échappement de la vapeur ne sont pas bloqués ou entravés. S'ils le sont, contactez le centre de réparation agréé le plus proche. **N'utilisez plus l'appareil.**

- ◆ Installez le patin de nettoyage (26) sur le Steamiitt™ (24) en fixant les bandes en Velcro "bouclées" (26a) de la partie supérieure du patin de nettoyage sur les patins en Velcro "crochetés" (24a) sous le Steamiitt™ (24). Appuyez fermement.

Avertissement ! Le Steamiitt™ ne doit pas être utilisé sans patin de nettoyage.

Remarque : Le Steamiitt™ peut accueillir 4 types de patins de nettoyage de différentes épaisseurs.

Patin de décapage (pour les taches tenaces et les surfaces non délicates), Patin pour salle de bain (pour les robinets et les autres surfaces moulées des salles de bains, Patins standard (pour toutes les plus grandes surfaces) et Patin de polissage (pour les surfaces délicates).

⚠ **Avertissement !** Utilisez toujours le Steamiitt™ comme illustré par la figure M, votre main à l'intérieur du gant de protection.

Avertissement ! Ne tentez jamais d'utiliser le Steamiitt™ en

⚠ le tenant par l'extérieur, comme illustré par la figure N.

Vous pourriez sinon vous brûler.

⚠ **Avertissement !** Évitez d'utiliser le Steamiitt™ dans des coins étroits comme illustré par la figure O.

Avertissement ! En cas de problème pendant l'utilisation, utilisez la patte de libération rapide pour pouvoir rapidement retirer votre main du Steamiitt™, comme illustré par la figure P.

⚠ **Avertissement !** N'utilisez pas le Steamiitt™ sur du verre froid, comme des fenêtres par exemple, car le choc thermique pourrait provoquer des dégâts.

⚠ **Avertissement !** Ne pointez et ne dirigez jamais le Steamiitt vers vous-même ou d'autres personnes.

Remarque : La molette de réglage de la vapeur est désactivée lorsque le Steamiitt™ est en place et le débit de vapeur est alors limité.

Utilisation

Important ! Cet appareil détruit 99,9 % des bactéries et des germes à condition qu'il soit utilisé conformément aux consignes décrites dans le présent manuel, avec des lavette en microfibre et qu'il fonctionne en continu pendant 90 secondes.

Mise en marche et extinction

- ◆ Pour mettre l'appareil en marche, appuyez sur l'interrupteur Marche/Arrêt (1). Le balai vapeur a besoin d'environ 20 secondes pour chauffer.
- ◆ Pour éteindre l'appareil, appuyez sur les Interrupteurs Marche/Arrêt (1).

Remarque : gardez toujours votre main à l'intérieur du Steamiitt™ avant d'appuyer sur le bouton de vapeur.

Attention ! Ne laissez jamais le balai vapeur trop longtemps au même endroit.

Placez toujours le balai vapeur, manche (8) à la verticale et assurez-vous que le balai est éteint lorsqu'il n'est pas utilisé.




Attention ! Videz toujours le balai vapeur après utilisation.

Remarque ! Au premier remplissage ou si le balai à fonctionner à vide, la production de vapeur peut prendre jusqu'à 45 secondes.

Technologie Autoselect™ (Fig. P)

Ce balai vapeur est équipé d'une molette Autoselect™ (2) qui permet différents types de nettoyage. Elle permet de sélectionner le mode de fonctionnement approprié au nettoyage que vous souhaitez.

Grâce à Autoselect™, choisissez l'une des applications suivantes en tournant la molette Autoselect™ (2) jusqu'à atteindre le réglage voulu.

Réglage	Balai	À main
	Bois/Stratifié	Vapeur faible ●
	Carrelage/Vinyle	Vapeur moyenne ● ●
	Pierre/Marbre	Vapeur élevée ● ● ●

Le balai vapeur sélectionne le volume de vapeur approprié au nettoyage choisi.

Remarque : Contrôlez toujours que le réglage est correct avant d'utiliser votre balai vapeur.

Conseils pour une utilisation optimale

Général

Attention : N'utilisez jamais le balai vapeur sans y avoir d'abord installé une lavette.

- ◆ Aspirez ou balayez toujours le sol avant d'utiliser le balai vapeur.
- ◆ Le moyen le plus facile d'utiliser l'appareil est d'incliner le manche à 45° et de nettoyer lentement en couvrant de petites zones à la fois.
- ◆ N'utilisez que de l'eau dans votre balai vapeur, sans aucun additif ou produit chimique. Afin d'éliminer les taches tenaces sur les sols en vinyle ou en lino, vous pouvez les prétraiter avec un mélange de détergent doux et d'eau, avant d'utiliser le balai vapeur.

Nettoyer à la vapeur avec le balai

- ◆ Fixez le nettoyeur vapeur portatif (5) sur le corps du balai vapeur (11)
- ◆ Placez une lavette (13) au sol avec la partie en Velcro "bouclée" vers le haut.
- ◆ Appuyez doucement le balai vapeur sur la lavette (13).
- ◆ Branchez le balai vapeur.
- ◆ Appuyez sur le bouton Marche/Arrêt (1). Le balai vapeur a besoin d'environ 15 secondes pour chauffer.

- ◆ Tournez la molette Autoselect™ (2) jusqu'à atteindre le réglage voulu. Après quelques secondes la vapeur se forme et elle est évacuée par la tête vapeur.

Remarque ! Au premier remplissage ou si le balai à fonctionner à vide, la production de vapeur peut prendre jusqu'à 45 secondes.

- ◆ La vapeur a besoin de quelques secondes pour pénétrer la lavette. Le balai vapeur glisse ensuite facilement sur la surface à désinfecter/nettoyer.
- ◆ Déplacez lentement le balai vapeur d'avant en arrière sur la surface pour nettoyer chaque zone parfaitement à la vapeur.
- ◆ Une fois terminé, relevez le manche (8) à la verticale en vous assurant qu'il est soutenu et éteignez le balai. Attendez que le balai vapeur ait refroidi (environ cinq minutes).

Attention ! Il est important de surveiller le niveau d'eau dans le réservoir. Pour faire le plein d'eau et continuer à désinfecter/nettoyer, placez le balai à la verticale en vous assurant que le manche est soutenu et éteignez le balai vapeur. Débranchez l'appareil de la prise de courant murale, et remplissez le réservoir d'eau.

Attention ! Ne laissez jamais le balai vapeur trop longtemps au même endroit.

Placez toujours le balai vapeur, manche (8) à la verticale et assurez-vous que le balai est éteint lorsqu'il n'est pas utilisé.

Rafraîchissement des tapis et moquettes

- ◆ Placez une lavette (13) sur le sol, côté Velcro "bouclé" vers le haut.
- ◆ Appuyez doucement le balai vapeur sur la lavette.
- ◆ Placez l'accessoire de glisse pour tapis (12d) sur le sol.
- ◆ Appuyez doucement le balai vapeur sur l'accessoire pour tapis jusqu'à ce qu'il s'enclenche en place.
- ◆ Branchez le balai vapeur au secteur.
- ◆ Appuyez sur le bouton Marche/Arrêt (1). Le balai vapeur a besoin d'environ 15 secondes pour chauffer.
- ◆ Tournez la molette Autoselect™ (2) sur la position Bois/Stratifié.
- ◆ Déplacez lentement le balai vapeur d'avant en arrière sur la moquette pour parfaitement rafraîchir chaque zone.
- ◆ Après avoir utilisé le balai vapeur, remplacez le manche (8) à la verticale et éteignez l'appareil. Attendez que le balai vapeur ait refroidi (environ cinq minutes).

Après utilisation

- ◆ Tournez la molette Autoselect™ (2) à la position Arrêt.
- ◆ Attendez que le balai vapeur ait refroidi.
- ◆ Débranchez le balai vapeur de la prise de courant murale.
- ◆ Videz le réservoir d'eau.
- ◆ Retirez la lavette (13) et lavez-la pour qu'elle soit prête pour la prochaine utilisation (prenez soin de respecter les consignes de lavage imprimées sur les lavettes).

- ◆ Entourez le câble électrique autour des crochets de retenue du câble (7 et 9).
- ◆ La poignée (6) intègre une patte d'accrochage (15) qui permet de suspendre votre balai vapeur sur un support adapté fixé au mur. Vérifiez que le crochet mural peut supporter le poids du balai vapeur en toute sécurité.
- ◆ La poignée intègre également un butoir en caoutchouc qui permet de maintenir votre balai vapeur contre une surface verticale en toute sécurité.

Nettoyer à la vapeur avec le nettoyeur portatif

Avertissement ! Le module ne produit pas de vapeur tant qu'il n'est pas raccordé au corps principal (11) ou que le tuyau de vapeur (16) n'est pas installé.

Avertissement ! N'utilisez l'appareil qu'à l'horizontale.

- ◆ Installez l'accessoire nécessaire.
- ◆ Branchez le nettoyeur vapeur portatif.
- ◆ Appuyez sur le bouton Marche/Arrêt (1). Le balai vapeur a besoin d'environ 15 secondes pour chauffer.
- ◆ Tournez la molette Autoselect™ (2) jusqu'à atteindre le réglage voulu. Après quelques secondes la vapeur se forme et elle est évacuée par la tête vapeur.

Remarque ! Au premier remplissage ou si le balai à fonctionner à vide, la production de vapeur peut prendre jusqu'à 45 secondes.

- ◆ Quand vous avez fini de vous servir du nettoyeur vapeur portatif, tournez la molette Autoselect™ (2) sur la position Arrêt. Éteignez l'appareil en appuyant sur le bouton Marche/Arrêt (1) et débranchez-le du secteur. Patientez jusqu'à ce que l'appareil refroidisse avant de le ranger (environ cinq minutes).

Accessoires

Les performances de votre appareil dépendent des accessoires utilisés. Les accessoires BLACK+DECKER sont élaborés dans le respect de normes de qualité supérieures et ils sont conçus pour améliorer les performances de votre appareil. L'utilisation de ces accessoires vous permet de tirer le meilleur de votre équipement.

Caractéristiques techniques

	Tension	Allumer	Capacité du réservoir	Durée de la phase de chauffage	Longueur de câble	Poids
	V _{ca}	W	ml	s	m	kg
FSMH1321	230	1600	500	≤20	6	2,7
BHSM168D	230	1600	500	≤20	6	2,8
BHSM168U	230	1600	500	≤20	6	2,8
BHSM168DSM	230	1600	500	≤20	6	2,8
BHSM1615DSM	230	1600	500	≤20	7	2,9
BHSM1615DAM	230	1600	500	≤20	7	2,9
BHSM1615DSG	230	1600	500	≤20	8	2,9
BHSM168DSM	230	1600	500	≤20	8	2,9
BHSM169DSM	230	1600	500	≤20	8	2,9
BHSM1610DSM	230	1600	500	≤20	8	2,9

Dépannage

Si votre appareil semble ne pas fonctionner correctement, suivez les instructions ci-dessous. Si le problème persiste, veuillez contacter votre réparateur local BLACK+DECKER.

Problème	Étape	Solution possible
Le balai vapeur ne s'allume pas	1.	Vérifiez que l'appareil est bien branché dans une prise murale.
	2.	Vérifiez que l'appareil a bien été allumé à l'aide de l'interrupteur Marche/Arrêt (1)
	3.	Vérifiez le fusible de la prise.
Le balai vapeur ne produit pas de vapeur	4.	Le balai vapeur ne produit de la vapeur que si le nettoyeur vapeur portatif (5) est correctement raccordé au corps principal (11) ou que le tuyau de vapeur est installé ou que la molette Autoselect™ est en position Marche
	5.	Vérifiez que le réservoir d'eau est plein. Remarque : Au premier remplissage ou si l'appareil a fonctionné à vide, la production de vapeur peut prendre jusqu'à 45 secondes.
	6.	Vérifiez l'étape 1, puis 2, puis 3
Le balai vapeur cesse de produire de la vapeur pendant l'utilisation	7.	Vérifiez l'étape 4, puis 5, puis 3
Le balai vapeur produit trop de vapeur pendant l'utilisation	8.	Tournez la molette Autoselect™ (2) dans le sens inverse des aiguilles d'une montre afin de réduire la quantité de vapeur produite
Le balai vapeur produit trop peu de vapeur pendant l'utilisation	9.	Tournez la molette Autoselect™ (2) dans le sens des aiguilles d'une montre afin d'augmenter la quantité de vapeur produite
Le nettoyeur vapeur portable ne produit aucune vapeur	10.	Vérifiez que la molette Autoselect™ (2) est en position Marche
	11.	Vérifiez l'étape 5, puis 1, puis 2, puis 3
Le nettoyeur vapeur portable produit trop peu de vapeur pendant l'utilisation	12.	Tournez la molette Autoselect™ (2) dans le sens des aiguilles d'une montre afin d'augmenter la quantité de vapeur produite
	13.	Vérifiez l'étape 5
Le nettoyeur vapeur portable produit trop de vapeur pendant l'utilisation	14.	Tournez la molette Autoselect™ (2) dans le sens inverse des aiguilles d'une montre afin de réduire la quantité de vapeur produite
Les accessoires tombent de l'appareil	15.	Consultez le chapitre sur l'assemblage pour savoir comment correctement installer les pièces et les accessoires
De la vapeur s'échappe par des zones non prévues de l'appareil	16.	Consultez le chapitre sur l'assemblage pour savoir comment correctement installer les pièces et les accessoires
Où puis-je obtenir plus d'informations/ d'accessoires	17.	www.blackanddecker.co.uk/steammp www.blackanddecker.ie/steammop

Nettoyage et entretien

Votre appareil BLACK+DECKER avec câble électrique a été conçu pour fonctionner pendant longtemps avec un minimum d'entretien. Le fonctionnement continu et satisfaisant de l'appareil dépend de son bon entretien et de son nettoyage régulier.

Avertissement ! Avant d'effectuer toute opération de maintenance ou de nettoyage sur des appareils filaires,

éteignez-les et débranchez-les.

- ◆ Essuyez régulièrement l'appareil à l'aide d'un chiffon doux humide.
- ◆ Pour les taches tenaces, vous pouvez utiliser un mélange d'eau et de savon pour humidifier le chiffon.

Entretien des lavettes

Consignes pour le lavage - Les lavettes peuvent être lavées à 60°C. N'utilisez pas d'adoucissant. Laissez-les parfaitement sécher avant de les réutiliser.

Attention ! Respectez les consignes de lavage imprimées sur l'étiquette de la lavette.

Remplacer la prise de courant (RU et Irlande uniquement)

Si une nouvelle prise électrique doit être installée :

- ◆ Jetez l'ancienne prise de façon appropriée.
- ◆ Raccordez le fil marron à la phase de la nouvelle prise.
- ◆ Raccordez le fil bleu au neutre.
- ◆ Raccordez le fil vert/jaune à la terre.

Avertissement ! Respectez les instructions d'installation fournies avec les prises de bonne qualité. Fusible recommandé : 13A.

Protection de l'environnement



Tri sélectif. Les produits et batteries marqués de ce symbole ne doivent pas être jetés avec les déchets ménagers

Les produits et les piles/batteries contiennent des matières qui peuvent être récupérées et recyclées afin de réduire la demande en matières premières. Veuillez à recycler les produits électriques et les piles/batteries conformément aux prescriptions locales en vigueur.

Plus d'informations sont disponibles sur le site www.2helpU.com

Garantie

Black & Decker est sûr de la qualité de ses produits et offre une garantie de 24 mois aux utilisateurs, à partir de la date d'achat. Cette garantie s'ajoute à vos droits légaux auxquels elle ne porte aucunement préjudice. Cette garantie est valable au sein des territoires des États membres de l'Union européenne et au sein de la Zone européenne de libre-échange.

Pour prétendre à la garantie, la réclamation doit être conforme aux conditions générales de Black & Decker et vous devez fournir une preuve d'achat au vendeur ou au réparateur agréé. Les conditions générales de la garantie de 2 ans Black&Decker ainsi que l'adresse du réparateur agréé le plus proche sont disponibles sur le site Internet www.2helpU.com ou en contactant votre agence Black & Decker locale à l'adresse indiquée dans ce manuel.

Veuillez consulter notre site Internet www.blackanddecker.co.uk pour enregistrer votre nouveau produit Black & Decker et pour être tenu informé des nouveaux produits et offres spéciales.

(Traduzione del testo originale)

Usò previsto

La lavapavimenti a vapore steam-mop BLACK+DECKER™ FSMH1321, BHSM166DSM, BHSM168D, BHSM168DSM, BHSM168U, BHSM169DSM, BHSM1610DSM, BHSM1615DSM, BHSM1615DSG, BHSM1615DAM è stata progettata per igienizzare e pulire pavimenti in legno massello sigillato, laminato sigillato, linoleum, vinile, piastrelle di ceramica, pietra e marmo. Questo apparecchio è stato concepito esclusivamente per uso domestico e all'interno.

Istruzioni di sicurezza



Avvertenza! Leggere attentamente tutte le avvertenze di sicurezza e le istruzioni. La mancata osservanza delle avvertenze e delle istruzioni seguenti può dar luogo a scossa elettrica, incendio e/o lesioni gravi.



Avvertenza! Quando si usano apparecchi alimentati elettricamente, osservare sempre le normali precauzioni di sicurezza per ridurre il rischio di incendio, scossa elettrica, lesioni personali e danni materiali.

- ◆ L'uso previsto è descritto in questo manuale.
- ◆ Se questo apparecchio viene utilizzato con accessori o per impieghi diversi da quelli raccomandati in questo manuale vi è il rischio che si verifichino lesioni alle persone.
- ◆ Conservare questo manuale per successiva consultazione.

Uso dell'elettrodomestico

- ◆ Non puntare il getto di vapore verso persone, animali, apparecchiature elettriche o prese di corrente.
- ◆ Non esporre alla pioggia.
- ◆ Non immergere l'apparecchio in acqua.
- ◆ Non lasciare l'elettrodomestico incustodito.
- ◆ Non lasciare l'elettrodomestico collegato a una presa di corrente quando non è usato.
- ◆ Non tirare mai il cavo di alimentazione per scollegare l'alimentatore dalla presa di corrente. Tenere il cavo dell'apparecchio lontano da calore, olio e bordi taglienti.
- ◆ Non usare la scopa a vapore con le mani bagnate.
- ◆ Non tirarlo o trasportarlo per mezzo del filo di alimentazione, non usare il filo di alimentazione come manico, non chiudere la porta incastrando il filo di alimentazione, non tirare il filo di alimentazione attorno ad angoli aguzzi e non appoggiarlo su superfici calde.
- ◆ Non usare l'elettrodomestico in ambienti chiusi pieni di vapori esalati da solventi per vernici a olio, sostanze antitarre, polveri infiammabili o altri vapori esplosivi o tossici.
- ◆ Controllare il tipo di pavimentazione rivolgendosi al fabbricante.
- ◆ Non usare su pellame, mobili o pavimenti lucidati a cera, tessuti sintetici, velluto o altri tessuti delicati sensibili al vapore.



Avvertenza! Non usare su pavimenti in legno o in laminato non sigillati. Sulle superfici trattate con cera o su alcuni pavimenti senza cera, l'azione del calore e del vapore potrebbero eliminare la lucentezza. Si consiglia sempre di fare una prova su di un'area isolata della superficie da pulire prima di procedere. Consigliamo anche di controllare le istruzioni d'uso e manutenzione fornite dal fabbricante della pavimentazione.

- ◆ Non versare mai prodotti anticalcare, aromatici, alcolici o detergenti nella scopa a vapore per non danneggiarla o renderne poco sicuro l'impiego.
- ◆ Se l'interruttore differenziale dell'impianto elettrico domestico scatta mentre si usa la funzione vapore, interrompere immediatamente l'uso del prodotto e rivolgersi al centro di assistenza clienti. (Prestare attenzione al rischio di scossa elettrica.)
- ◆ L'apparecchio espelle vapore molto caldo per igienizzare l'area in cui viene usato. Questo significa che la testa di emissione del vapore, i panni per la pulizia e l'accessorio per la moquette diventano molto caldi durante l'impiego.

Attenzione! Indossare sempre scarpe idonee durante l'impiego della scopa a vapore e quando se ne sostituiscono gli accessori. Non indossare pantofole o sandali aperti.

- ◆ Il coperchio potrebbe riscaldarsi durante l'impiego.
- ◆ Il vapore potrebbe fuoriuscire dall'elettrodomestico durante l'impiego. Prestare attenzione quando si usa questo apparecchio. **NON** toccare nessuna parte che potrebbe diventare molto calda durante l'uso.
- ◆ Spegnere l'elettrodomestico e riportare il manico in posizione verticale prima di togliere il serbatoio dell'acqua.
- ◆ Se si nota una fuoriuscita di vapore dal corpo della scopa a vapore, spegnerla, scollegarla dall'alimentazione di rete e lasciarla raffreddare.
Contattare il tecnico autorizzato più vicino.
Non continuare a usare l'apparecchio.

Dopo l'uso

- ◆ Scollegare l'elettrodomestico dalla presa di corrente e lasciare che si raffreddi prima di pulirlo.
- ◆ Quando non viene usato, l'apparecchio deve essere conservato in un luogo asciutto.
- ◆ L'apparecchio non deve essere riposto alla portata dei bambini.

Ispezione e riparazioni

- ◆ Prima di eseguire la manutenzione o la riparazione dell'elettrodomestico, scollegarlo dalla presa di corrente e lasciare che si raffreddi.
- ◆ Prima dell'uso, verificare che l'elettrodomestico non sia danneggiato e non presenti parti difettose.

Controllare che non siano presenti parti rotte, interruttori danneggiati o altre condizioni che potrebbero incidere sul suo funzionamento.

- ◆ Controllare a intervalli regolari che il filo di alimentazione non sia danneggiato.
- ◆ Non usare l'apparecchio se alcune parti sono danneggiate o difettose.
- ◆ Far riparare o sostituire le parti danneggiate o difettose da un tecnico autorizzato.
- ◆ Non tentare di smontare o sostituire alcuna parte, ad eccezione di quelle specificate in questo manuale.

Sicurezza altrui

- ◆ Questo elettrodomestico può essere usato da persone portatrici di handicap fisici, psichici o sensoriali o che non abbiano la dovuta esperienza o conoscenza, sempre che siano seguite o opportunamente istruite sull'uso sicuro e comprendano i pericoli inerenti. I bambini non devono giocare con l'elettrodomestico.
- ◆ Sorvegliare i bambini per assicurarsi che non giochino con l'elettrodomestico.
- ◆ La spina deve essere rimossa dalla presa elettrica prima di pulire o eseguire la manutenzione dell'apparecchio.
- ◆ Il liquido o vapore non devono essere orientati verso apparecchiature contenenti componenti elettrici, come l'interno di forni.

- ◆ L'apparecchio non deve essere lasciato incustodito quando è collegato all'alimentazione elettrica.
- ◆ L'apparecchio non deve essere usato se è stato fatto cadere, se vi sono segni visibili di danni oppure se perde.
- ◆ Tenere l'apparecchio lontano dalla portata dei bambini quando è alimentato o si sta raffreddando.
- ◆ Non puntare o indirizzare mai il pulitore verso sé stessi o verso un'altra persona.
- ◆ Prestare attenzione quando si utilizza l'apparecchio a causa dell'emissione di vapore.
- ◆ Scollegare l'apparecchio durante il riempimento e la pulizia.
- ◆ Il piroscavo in tessuto non deve essere lasciato incustodito mentre è collegato alla rete di alimentazione.
- ◆ Il piroscavo in tessuto non deve essere utilizzato se è stato fatto cadere, se sono presenti segni visibili di danni o se perde.
- ◆ Tenere il piroscavo in tessuto e il suo cavo fuori dalla portata dei bambini di età inferiore a 8 anni quando è sotto tensione o si raffredda.

Rischi residui

L'utilizzo dell'elettrotensile può comportare rischi residui non necessariamente riportati nelle presenti avvertenze di sicurezza.

Tali rischi possono sorgere a seguito di un uso prolungato o improprio, ecc.

Malgrado il rispetto delle norme di sicurezza pertinenti e l'implementazione di dispositivi di sicurezza, alcuni rischi residui non possono essere evitati. Tali rischi includono:

- ◆ lesioni causate dal contatto con parti in movimento.
- ◆ lesioni causate dal contatto con parti calde.
- ◆ lesioni causate durante la sostituzione di parti o accessori.
- ◆ lesioni causate dall'impiego prolungato dell'elettrotensile. Quando si usa l'apparecchio per lunghi periodi, accertarsi di fare regolarmente delle pause.

Sicurezza elettrica



Avvertenza! Avvertenza! Questo prodotto deve essere collegato a terra. Verificare sempre che l'alimentazione corrisponda alla tensione riportata sulla targhetta dei valori nominali. Le spine elettriche devono essere adatte alle prese. Non modificare la spina in alcun modo. Per ridurre il rischio di scossa elettrica evitare di modificare le spine e utilizzare sempre le prese di corrente appropriate

- ◆ In caso di danneggiamento del cavo di alimentazione, farlo riparare dal produttore o presso un Centro di assistenza BLACK+DECKER autorizzato, in modo da evitare pericoli.

Cavi di prolunga e prodotto di Classe 1

- Usare un cavo a 3 conduttori dato che si tratta di un elettrodomestico classe 1 dotato di terra.
- Usare sempre un cavo di prolunga omologato, adatto alla presa di ingresso del caricabatterie (vedere la sezione "Dati tecnici"). È possibile usare un cavo di prolunga lungo fino a 30m con diametro di 1.5 mm² senza perdita alcuna delle prestazioni del prodotto. Prima dell'uso, ispezionare il cavo di prolunga per accertarsi che non presenti segni di danneggiamento, usura o invecchiamento. Sostituire il cavo di prolunga se è danneggiato o difettoso. Se si utilizza un avvolgicavo, estrarre il cavo per l'intera lunghezza.

Etichette sull'elettrodomestico

I seguenti simboli sono mostrati sull'apparecchio insieme al codice data:



ATTENZIONE! Vapore caldo



Acqua gocciolante se utilizzato quando capovolto



Il vapore fuoriesce da tutti i lati



Non lasciare incustodito con bambini piccoli



Lavare solo a mano



ATTENZIONE! Superficie molto calda

Caratteristiche

Questo elettrodomestico presenta alcune o tutte le seguenti caratteristiche.

1. Interruttore di accensione/spengimento
2. Manopola Autoselect™
3. Impugnatura del pulitore a vapore portatile
4. Tappo di rifornimento
5. Pulitore a vapore portatile
6. Impugnatura
7. Gancio fermacavo superiore
8. Impugnatura principale
9. Gancio fermacavo inferiore
10. Pulsante di sgancio del pulitore a vapore portatile
11. Corpo principale
12. Testa per la pulizia di pavimenti
- 12a. Testa per la pulizia di pavimenti con sezione triangolare a sollevamento
- 12b. Testa triangolare
- 12c. Linguetta di rimozione della testa a vapore
- 12d. Accessorio per tappeti (per l'utilizzo sui tappeti)
13. Panno per la pulizia dei pavimenti
14. Linguetta di rilascio panno per la pulizia dei pavimenti
15. Staffa di sospensione
16. Tubo flessibile del vapore
17. Ugello di erogazione del vapore
18. Accessorio testa angolare (per rimuovere le macchie ostinate)
- 18a. Spazzola angolare (spazzola metallica)
19. Accessorio spazzola (per l'uso su piastrelle / malta)
20. Accessorio spatola tergovetro (per l'uso su pareti di box doccia / vetri / specchi / indumenti / tappezzeria)
- 20a. Cuffia per spatola tergovetro
21. Accessorio spatola tergovetro grande (per l'uso su pareti di box doccia / vetri / specchi / indumenti / tappezzeria)
- 21a. Cuffia per raschietto grande
22. Spazzola a vapore
- 22a. Spazzola a vapore (per utilizzo su barbecue / forni)
- 22b. Spazzola a vapore (per utilizzo su barbecue / forni / piani di cottura / rubinetti / malta)
- 22c. Spazzola a vapore (per utilizzo su superfici di lavoro più ampie)
23. Tampone di pulitura testa triangolare
24. SteaMitt™
25. Tubo flessibile per SteaMitt™
26. Panno per la pulizia per SteaMitt™
27. Panno per la pulizia 2 per SteaMitt™
28. Panno per la pulizia dei pavimenti ultra-assorbente
29. Spazzola grande con raschietto incorporato

Configurazione

	F S M H 1 3 2 1	B H S M 1 6 8 D	B H S M 1 6 8 U	B H S M 1 6 6 D S M	B H S M 1 6 8 D S M	B H S M 1 6 9 D S M	B H S M 1 6 1 0 D S M	B H S M 1 6 1 5 D S M	B H S M 1 6 1 1 5 D S G	B H S M 1 6 1 5 D A M	S E T T I N G S
12	✓										Tutte
12a		✓	✓	✓	✓	✓	✓	✓	✓	✓	Tutte
12d		✓	✓	✓	✓	✓	✓	✓	✓	✓	Tutte
13	✓	✓	✓	✓	✓	✓	✓	✓	✓	✓	Tutte
16	✓	✓	✓	✓	✓	✓	✓	✓	✓	✓	Tutte
18	✓	✓	✓	✓		✓	✓	✓	✓		-
18a						✓		✓			...
19	✓	✓	✓	✓		✓	✓	✓	✓		...
20	✓			✓	✓		✓				-
20a	✓			✓	✓		✓				-
21		✓	✓			✓		✓	✓	✓	-
21a						✓		✓	✓	✓	-
22					✓		✓			✓	Tutte
22a					✓		✓			✓	Tutte
22b					✓		✓			✓	Tutte
22c					✓		✓			✓	Tutte
23		✓	✓	✓	✓	✓	✓	✓	✓	✓	Tutte
24				✓	✓	✓	✓	✓	✓	✓	Tutte
25				✓	✓	✓	✓	✓	✓	✓	Tutte
26				✓	✓	✓	✓	✓	✓	✓	Tutte
27								✓	✓	✓	Tutte
28								✓	✓	✓	Tutte
29								✓	✓		Tutte

Assemblaggio



Avvertenza! Prima di iniziare una delle seguenti operazioni, verificare che l'apparecchio sia spento e scollegato dalla presa elettrica e che sia freddo e non contenga acqua.

Montaggio del manico (Fig. A)

- ◆ Infilare l'estremità inferiore del manico (8) nell'estremità superiore del corpo della scopa a vapore (11) fino a quando scatta in sede.

Montaggio del pulitore portatile (Fig. B)

- ◆ Afferrando la parte posteriore del corpo della scopa a vapore (11), inserire, premendo con decisione, il pulitore a vapore (5) nel corpo principale (11), facendo in modo che si incastri saldamente sull'interfaccia (11a), fino a quando non scatta in sede.

Rimozione del pulitore portatile (Fig. B)

- ◆ Premere il pulsante di sgancio (10) sul corpo della scopa a vapore (11) e sollevare il pulitore portatile (5) dall'interfaccia (11a) estraendolo dal corpo principale (11).

Montaggio del panno per la pulizia (Fig. C)

I panni per la pulizia di ricambio sono reperibili presso il rivenditore BLACK+DECKER di zona - (codice cat. FSMP20-XJ).

- ◆ Mettere un tampone di pulitura (13) sul pavimento con il lato con il velcro rivolto verso l'alto.
- ◆ Premere leggermente la scopa a vapore sul panno per la pulizia (13).

Nota: questa unità è dotata di una testa per la pulizia dei pavimenti standard (12) o di una testa per la pulizia a vapore (12a). In entrambi i casi seguire queste istruzioni per inserire un panno per la pulizia.

Attenzione! Non lasciare mai la scopa a vapore a lungo in uno stesso punto di un qualsiasi tipo di pavimento. Posizionare sempre la scopa a vapore con il manico (8) in posizione verticale quando è ferma e accertarsi che sia spenta quando non viene usata.

Rimozione di un panno per la pulizia

Attenzione! Quando si cambia il panno per la pulizia sulla scopa a vapore, indossare sempre scarpe idonee. Non indossare pantofole o sandali aperti.

- ◆ Riportare il manico (8) in posizione verticale e spegnere la scopa a vapore.
- ◆ Prima di riporre la scopa a vapore, attendere che si raffreddi (circa 5 minuti).
- ◆ Sollevare la scopa a vapore dal panno per la pulizia staccandolo tramite il velcro.

Attenzione! Non lasciare mai la scopa a vapore a lungo in uno stesso punto di un qualsiasi tipo di pavimento. Posizionare sempre la scopa a vapore con il manico (8) in posizione verticale quando è ferma e accertarsi che sia spenta quando non viene usata.

Rifornimento del serbatoio con acqua (Fig. O)

Nota! Riempire il serbatoio dell'acqua con acqua di rubinetto pulita (non utilizzare additivi o agenti chimici).

Nota! In presenza di acque molto dure (calcareae) si consiglia di utilizzare acqua deionizzata.

- ◆ Aprire il tappo di rifornimento (4) ruotandolo verso il basso.
- ◆ Riempire il serbatoio dell'acqua solo con acqua (non utilizzare additivi o agenti chimici).

Avvertenza! Durante il riempimento, staccarsi dall'unità principale e mantenere una posizione orizzontale.

Avvertenza! Il serbatoio dell'acqua ha una capacità di 0,5 litri. Non riempirlo eccessivamente.

- ◆ Chiudere il tappo di rifornimento (4).

Nota! Verificare che il tappo di rifornimento sia chiuso saldamente.

Montaggio dell'accessorio per tappeti (12d) (solo per l'uso sui tappeti)

- ◆ Appoggiare l'accessorio per tappeti (12d) sul pavimento.
- ◆ Fissare un panno per la pulizia sulla testa per pavimenti (12,12a)
- ◆ Premere leggermente la scopa a vapore sull'accessorio per tappeti (12d) fino a quando scatta in sede.

Attenzione! Non lasciare mai la scopa a vapore a lungo in uno stesso punto di un qualsiasi tipo di pavimento.

Posizionare sempre la scopa a vapore con il manico (8) in posizione verticale quando è ferma e accertarsi che sia spenta quando non viene usata.

Smontaggio dell'accessorio per tappeti

Attenzione! Indossare sempre scarpe idonee quando si cambia l'accessorio per moquette sulla scopa a vapore. Non indossare pantofole o sandali aperti.

- ◆ Riportare il manico (8) in posizione verticale e spegnere la scopa a vapore.
- ◆ Prima di riporre la scopa a vapore, attendere che si raffreddi (circa 5 minuti).
- ◆ Appoggiare la punta della scarpa sulla linguetta di rimozione dell'accessorio per tappeti e premere con forza.
- ◆ Sollevare leggermente la scopa a vapore dall'accessorio per tappeti.

Attenzione! Non lasciare mai la scopa a vapore a lungo in uno stesso punto di un qualsiasi tipo di pavimento.

Posizionare sempre la scopa a vapore con il manico (8) in posizione verticale quando è ferma e accertarsi che sia spenta quando non viene usata.

La testa triangolare (Fig. D)

Questa scopa a vapore è dotata di testa triangolare incorporata che consente di penetrare nelle fessure e negli angoli stretti. **Attenzione!** Indossare sempre scarpe idonee quando si utilizza la testa triangolare della scopa a vapore. Non indossare pantofole o sandali aperti.

- ◆ Posizionare la scopa a vapore su 'OFF'
- ◆ Attendere che la scopa a vapore si raffreddi (circa cinque minuti) prima di riportarla.
- ◆ Appoggiare la punta della scarpa sulla linguetta di rimozione della testa a vapore (12c) e premere con delicatezza.
- ◆ Sollevare la testa triangolare (12b) dalla testa a vapore (12a)
- ◆ Montare il tampone di pulitura della testa triangolare sulla base della testa triangolare.

Nota: Rimuovere il panno per la pulizia prima di rimontare la testa triangolare sulla testa a vapore.

- ◆ Per rimontare la testa triangolare, appoggiarne la punta nella testa a vapore e premere saldamente accertandosi che si agganci in sede.

Montaggio del tubo flessibile e degli accessori sul pulitore a vapore portatile (Fig. G e M)

Avvertenza! Ispezionare la tenuta tra il punto di connessione sul pulitore a vapore portatile (5) e il tubo flessibile a vapore (16) prima di ciascun utilizzo. Se la tenuta non funziona correttamente oppure è danneggiata, non utilizzarla e rivolgersi al tecnico autorizzato di zona. Non usare l'apparecchio.

Fissaggio del tubo flessibile

- ◆ Premere il pulsante di sgancio (16a) sul tubo flessibile del vapore (16).
- ◆ Collegare il tubo flessibile del vapore (16) al pulitore a vapore portatile (5) e rilasciare il pulsante di sgancio del tubo flessibile (16a) assicurandosi che scatti in sede.

Importante! Verificare che il tubo flessibile del vapore (16) sia connesso saldamente prima di usare il pulitore a vapore portatile (5). Se il vapore fuoriesce dalla giunzione, il tubo flessibile non è inserito correttamente. Spegnere l'unità e lasciare che si raffreddi prima di rimuovere il tubo flessibile e reinserirlo.

Montaggio degli accessori (Fig. H)

- ◆ Allineare le linguette sull'ugello di erogazione del vapore (17) ai vani dell'accessorio.
- ◆ Premere l'accessorio sull'ugello di erogazione del vapore (17) e ruotarlo in senso antiorario fino a quando si aggancia in sede.

Importante! Tutti gli accessori, ad eccezione dello SteaMitt™ (24) che dispone di un proprio tubo flessibile e connettore (25), devono essere fissati per funzionare al tubo flessibile del vapore (16).

Smontaggio del tubo flessibile e degli accessori

Avvertenza! Il tubo flessibile del vapore (16), l'ugello di erogazione del vapore (17) e gli accessori diventano molto caldi durante l'uso. Lasciare che l'unità e tutti gli accessori si raffreddino prima di smontarli.

Smontaggio di un accessorio

- ◆ Ruotare l'accessorio in senso orario e staccarlo dal tubo flessibile (16).

Smontaggio del tubo flessibile

- ◆ Premere il pulsante di sgancio (16a) sul tubo flessibile del vapore (16) e rimuoverlo dal pulitore a vapore portatile.

SteaMitt™

Il tuo pulitore BLACK+DECKER™ SteaMitt™ è stato progettato per igienizzare e pulire piastrelle, piani di lavoro e superfici di cucina e bagno. Questo apparecchio è stato concepito esclusivamente per uso domestico e all'interno.

Fissaggio del tubo flessibile del SteaMitt™ al pulitore portatile a vapore

Avvertenza! Ispezionare la guarnizione sull'ugello di erogazione del vapore e sul tubo flessibile prima di ciascun utilizzo. Se la guarnizione manca o è danneggiata, contattare il tecnico autorizzato di zona.

Non usare l'apparecchio. Ispezionare la guarnizione sullo SteaMitt™ e il tubo flessibile. Se la guarnizione manca o è danneggiata oppure se si riscontra la fuoriuscita di vapore contattare il tecnico autorizzato di zona. **Non usare l'apparecchio.** Assicurarsi che non vi sia alcuna ostruzione o impedenza nel tubo flessibile dello SteaMitt™ o nel tubo dell'accessorio. Qualora se ne dovesse rilevare la presenza, contattare il tecnico autorizzato di zona. **Non usare l'apparecchio.**

Montaggio di un panno per la pulizia sullo SteaMitt™ (Fig. J)

Avvertenza! Assicurarsi che non vi sia alcuna ostruzione o impedenza nei fori di scarico del vapore. Qualora se ne dovesse rilevare la presenza, contattare il tecnico autorizzato di zona. **Non usare l'apparecchio.**

- ◆ Montare il panno per la pulizia (26) sul SteaMitt™ (24) fissando le strisce di velcro con il lato morbido (26a) presenti nella parte superiore del panno, ai tamponi in velcro con il lato a uncini (24a) presenti nella parte inferiore dello SteaMitt™ (24). Premere in basso con forza.

Avvertenza! Lo SteaMitt™ non deve essere utilizzato senza un panno per la pulizia montato.

Nota: allo SteaMitt™ possono essere montati 4 tipi di panni per la pulizia con spessori differenti. Panno abrasivo (per l'uso su macchie ostinate e superfici non delicate), Panno per il bagno (per la pulizia di rubinetti e altre superfici sagomate del bagno), Panno standard (per l'uso sulle superfici più ampie) e Panno per lucidare (per l'uso sulle superfici delicate).

Avvertenza! Utilizzare sempre lo SteaMitt™, come illustrato nella Figura M, indossando un guanto di protezione.

Avvertenza! Non tentare mai di utilizzare lo SteaMitt™ afferrandolo dall'esterno, come illustrato nella Figura N, per non correre il pericolo di ustionarsi.

Avvertenza! Evitare di utilizzare lo SteaMitt™ in angoli stretti, come mostrato nella Figura O.

Avvertenza! In caso di problemi durante l'uso, servirsi della linguetta di rilascio rapido per rimuovere rapidamente lo SteaMitt™ dalla mano, come illustrato nella Figura P.

Avvertenza! Non utilizzare lo SteaMitt™ su vetri freddi, come per esempio i vetri di finestre, poiché potrebbero verificarsi dei danni a causa del repentino cambiamento della temperatura.

Avvertenza! Non puntare o indirizzare mai il pulitore verso sé stessi o verso un'altra persona.

Nota: La manopola a vapore variabile è disconnessa quando il SteaMitt™ è inserito e di conseguenza il flusso di vapore è limitato.

Uso

Importante! Se usato in base alle istruzioni contenute in questo manuale e con i panni per la pulizia in microfibra montati e un tempo di funzionamento continuo di 90 secondi, questo apparecchio è in grado di eliminare il 99,9% di batteri e germi.

Accensione e spegnimento

- ◆ Per accendere l'apparecchio, premere l'interruttore di accensione/spegnimento (1). La scopa a vapore impiega 20 secondi circa per riscaldarsi.
- ◆ Per spegnere l'apparecchio, premere l'interruttore di accensione/spegnimento (1).

Nota: tenere sempre la mano all'interno dello SteaMitt™ prima di premere il pulsante di erogazione del vapore.

Attenzione! Non lasciare mai la scopa a vapore a lungo in uno stesso punto di un qualsiasi tipo di pavimento.

Posizionare sempre la scopa a vapore con il manico (8) in posizione verticale quando è ferma e accertarsi che sia spenta quando non viene usata.

Attenzione! Svuotare sempre la scopa a vapore dopo l'uso.

Nota! Al primo riempimento oppure se la scopa a vapore ha funzionato a secco, possono trascorrere fino a 45 secondi prima che venga generato del vapore.

Tecnologia Autoselect™ (Fig. P)

Questa scopa a vapore è dotata di una manopola Autoselect™ (2) che mostra le varie applicazioni di pulizia. Essa viene usata per selezionare la corretta modalità di funzionamento per l'operazione di pulizia desiderata. Scegliere una delle applicazioni seguenti mediante la manopola Autoselect™ (2), ruotandola fino all'impostazione desiderata.

Impostazione	Materiali	Pulitore portatile
	Legno/ laminato	Flusso di vapore basso ●
	Piastrelle/vinile	Flusso di vapore medio ● ●
	Pietra/marmo	Flusso di vapore alto ● ● ●

La scopa a vapore selezionerà la quantità di vapore necessaria per una determinata operazione di pulizia.

Nota: controllare sempre di aver scelto l'impostazione corretta prima di usare la scopa a vapore.

Consigli per un utilizzo ottimale

Indicazioni generali

Attenzione: non usare mai la scopa a vapore senza aver prima montato un panno per la pulizia.

- ◆ Prima di usare la lavapavimenti a vapore, passare sempre l'aspirapolvere oppure spazzare il pavimento.
- ◆ Il modo più semplice per usare la scopa consiste nell'inclinare il manico a 45° e pulire lentamente, trattando un'area piccola alla volta.
- ◆ Con la scopa a vapore utilizzare solo acqua, senza additivi o sostanze chimiche. Per eliminare le macchie ostinate dalle pavimentazioni in vinile o linoleum, è possibile pretrattarle con un detersivo neutro e un po' di acqua prima di passare la scopa a vapore.

Pulizia a vapore con la scopa

- ◆ Montare il pulitore a vapore portatile (5) nel corpo della scopa a vapore (11)
- ◆ Appoggiare un panno per la pulizia (13) sul pavimento con il lato morbido del velcro rivolto verso l'alto.
- ◆ Premere leggermente la scopa a vapore sul panno per la pulizia (13).
- ◆ Collegare la scopa a vapore alla presa di corrente.
- ◆ Premere l'interruttore di accensione/spengimento (1). La scopa a vapore impiega 15 secondi circa per riscaldarsi.
- ◆ Ruotare la manopola Autoselect™ (2) fino all'impostazione richiesta. Dopo alcuni secondi il vapore comincia a fuoriuscire dalla testa di erogazione.

Nota! Al primo riempimento oppure se la scopa a vapore ha funzionato a secco, possono trascorrere fino a 45 secondi prima che venga generato del vapore.

- ◆ Devono trascorrere alcuni secondi prima che il vapore penetri nel panno per la pulizia. La scopa a vapore a quel punto scorrerà facilmente sulla superficie da igienizzare/pulire.
- ◆ Spingere e tirare lentamente la scopa a vapore sulla superficie per pulire a fondo ogni sezione.

- ◆ Una volta finito di utilizzare la scopa a vapore, riportare il manico (8) nella posizione verticale, assicurandosi che sia supportato e spegnere la scopa. Attendere che la scopa a vapore si raffreddi (circa 5 minuti) prima di riparla.

Attenzione! È importante controllare il livello dell'acqua nel serbatoio. Per rifornire il serbatoio dell'acqua e continuare a igienizzare/pulire, portare la scopa a vapore in posizione verticale e spegnerla. Scollegare l'apparecchio dalla presa di corrente a parete e rifornire il serbatoio dell'acqua.

Attenzione! Non lasciare mai la scopa a vapore a lungo in uno stesso punto di un qualsiasi tipo di pavimento.

Posizionare sempre la scopa a vapore con il manico (8) in posizione verticale quando è ferma e accertarsi che sia spenta quando non viene usata.

Per ravvivare un tappeto

- ◆ Appoggiare un panno per la pulizia (13) sul pavimento con il lato morbido del tessuto rivolto verso l'alto.
- ◆ Premere leggermente la scopa a vapore sul panno per la pulizia.
- ◆ Appoggiare l'accessorio per tappeti (12d) sul pavimento.
- ◆ Premere leggermente la scopa a vapore sull'accessorio per tappeti fino a quando non scatta in sede.
- ◆ Collegare la scopa a vapore alla presa di corrente.
- ◆ Premere l'interruttore di accensione/spengimento (1). La scopa a vapore impiega 15 secondi circa per riscaldarsi.
- ◆ Ruotare la manopola Autoselect™ (2) sulla regolazione per Legno/laminato.
- ◆ Spingere e tirare lentamente la scopa a vapore sulla moquette per ravvivare ogni sezione.
- ◆ Una volta finito di utilizzare la scopa a vapore, riportare il manico (8) nella posizione verticale, assicurandosi che sia supportato e spegnere la scopa. Attendere che la scopa a vapore si raffreddi (circa 5 minuti) prima di riparla.

Dopo l'uso

- ◆ Ruotare la manopola the Autoselect™ (2) sulla posizione OFF.
- ◆ Attendere che la scopa a vapore si raffreddi.
- ◆ Scollegare la scopa a vapore dalla presa di corrente a parete.
- ◆ Svuotare il serbatoio dell'acqua.
- ◆ Rimuovere il panno per la pulizia (13) e lavarlo per l'utilizzo successivo (avere cura seguire le istruzioni di lavaggio delicato stampate sul panno per la pulizia).
- ◆ Avvolgere il cavo di alimentazione attorno ai ganci fermacavo (7 e 9).
- ◆ Altrimenti, è presente una staffa di sospensione (15) incorporata nell'impugnatura (6) che consente di appendere la scopa a vapore a un gancio a parete idoneo. Accertarsi sempre che il gancio a parete sia in grado di sorreggere in modo sicuro il peso della scopa a vapore.

- ◆ L'impugnatura include anche un tappo di gomma che consente di riporre in modo sicuro la scopa a vapore su una superficie verticale.

Pulizia con il pulitore vapore portatile

Avvertenza! L'unità genera vapore fino a quando non è collegata al corpo principale (11) o il tubo flessibile a vapore (16) non è inserito.

Avvertenza! Utilizzare solamente in posizione orizzontale.

- ◆ Attaccare l'accessorio richiesto.
- ◆ Collegare il pulitore a vapore portatile all'alimentazione di rete.
- ◆ Premere l'interruttore di accensione/spegnimento (1). La scopa a vapore impiega 15 secondi circa per riscaldarsi.
- ◆ Ruotare la manopola Autoselect™ (2) fino all'impostazione desiderata. Dopo alcuni secondi il vapore comincia a fuoriuscire dalla testa di erogazione.

Nota! Al primo riempimento oppure se la scopa a vapore ha funzionato a secco, possono trascorrere fino a 45 secondi prima che venga generato del vapore.

- ◆ Una volta terminato l'uso del pulitore a vapore portatile ruotare la manopola Autoselect™ (2) fino alla posizione di spegnimento OFF. Spegnerne l'unità premendo l'interruttore di accensione/spegnimento (1) e scollegarla dalla presa di corrente. Attendere fino a quando l'unità non si è raffreddata prima di riporla (circa cinque minuti).

Accessori

Le prestazioni dell'apparecchio dipendono dall'accessorio usato. Gli accessori BLACK + DECKER sono stati fabbricati in base a standard qualitativi elevati e sono stati progettati per ottenere le migliori prestazioni dall'apparecchio. Utilizzando questi accessori si otterrà il meglio dall'elettrodomestico.

Dati tecnici

	Tensione	Potenza	Capacità serbatoio	Tempo di riscaldamento	Lunghezza cavo	Peso
	V _{ca}	W	ml	sec.	m	kg
FSMH1321	230	1600	500	≤20	6	2,7
BHSM168D	230	1600	500	≤20	6	2,8
BHSM168U	230	1600	500	≤20	6	2,8
BHSM166DSM	230	1600	500	≤20	6	2,8
BHSM1615DSM	230	1600	500	≤20	7	2,9
BHSM1615DAM	230	1600	500	≤20	7	2,9
BHSM1615DSG	230	1600	500	≤20	8	2,9
BHSM168DSM	230	1600	500	≤20	8	2,9
BHSM168DSM	230	1600	500	≤20	8	2,9
BHSM1610DSM	230	1600	500	≤20	8	2,9

Guida alla risoluzione dei problemi

Se l'apparecchio non dovesse funzionare correttamente, seguire le istruzioni riportate di seguito. Nel caso in cui non sia comunque possibile risolvere il problema, rivolgersi al tecnico BLACK+DECKER di zona.

Problema	Passaggio	Possibile soluzione
La scopa a vapore non si accende	1.	Controllare che l'unità sia collegata alla presa di corrente a parete.
	2.	Controllare che l'unità sia accesa utilizzando l'interruttore di accensione/spegnimento (1)
	3.	Controllare il fusibile nella spina.
La scopa a vapore non genera vapore	4.	La scopa a vapore genera vapore solamente se il pulitore a vapore portatile (5) è inserito correttamente nel corpo principale (11), il tubo flessibile del vapore è montato o la manopola Autoselect™ è posizionata su "ON"
	5.	Verificare che il serbatoio dell'acqua sia pieno. Nota: al primo riempimento oppure se la scopa a vapore ha funzionato a secco, possono trascorrere fino a 45 secondi prima che venga generato del vapore.
	6.	Controllare i passaggi 1, 2, e 3
La scopa a vapore smette di generare vapore durante l'uso	7.	Controllare i passaggi 4, 5, e 3
La scopa vapore genera troppo vapore durante l'uso	8.	Ruotare la manopola Autoselect™ (2) in senso antiorario per ridurre la quantità di vapore generato
La scopa a vapore genera troppo poco vapore durante l'uso	9.	Ruotare la manopola Autoselect™ (2) in senso orario per aumentare la quantità di vapore generato
Vapore non generato dal pulitore portatile a vapore	10.	Accertarsi che la manopola Autoselect™ (2) sia sulla posizione ON
	11.	Controllare il passaggio 5, seguito dai passaggi 1, 2, e 3
Il pulitore portatile a vapore smette genera troppo poco vapore durante l'uso	12.	Ruotare la manopola Autoselect™ (2) in senso orario per aumentare la quantità di vapore generato
	13.	Controllare il passo 5
Il pulitore portatile a vapore smette genera troppo poco vapore durante l'uso	14.	Ruotare la manopola Autoselect™ (2) in senso antiorario per ridurre la quantità di vapore generato
Gli accessori continuano a cadere dall'unità	15.	Consultare il capitolo assemblaggio per il corretto montaggio di tutte le parti e gli accessori
Il vapore fuoriesce da parti non previste dell'unità	16.	Consultare il capitolo assemblaggio per il corretto montaggio di tutte le parti e gli accessori
Dove è possibile trovare informazioni/ accessori aggiuntivi	17.	www.blackanddecker.co.uk/steammp www.blackanddecker.ie/steammp

Manutenzione e pulizia

Questo elettrodomestico BLACK+ DECKER con filo è stato progettato per funzionare a lungo con una manutenzione minima. Per prestazioni sempre soddisfacenti sono necessarie una cura appropriata e una pulizia regolare dell'elettrodomestico.

Avvertenza! Prima di eseguire la manutenzione o di pulire elettrodomestici con filo, scollegarli dalla presa di corrente.

- ◆ Strofinare l'elettrodomestico con un panno umido e morbido.
- ◆ Per le macchie ostinate è possibile usare una soluzione di acqua e sapone neutro in cui inumidire lo straccio.

Cura dei panni per la pulizia

Istruzioni di lavaggio delicato - I panni possono essere lavati a 60°C. Non utilizzare un ammorbidente per tessuti. Lasciare asciugare completamente il panno prima di riutilizzarlo.

Attenzione! Seguire le istruzioni di lavaggio stampate sull'etichetta del panno per la pulizia.

Sostituzione della spina (solo Regno Unito e Irlanda)

Se dovesse essere necessario installare una nuova spina:

- ◆ smaltire in sicurezza quella vecchia;
- ◆ collegare il filo marrone al morsetto sotto tensione della nuova spina.
- ◆ collegare il filo blu al morsetto neutro.
- ◆ Collegare il conduttore verde/giallo al morsetto di terra.

Avvertenza! Seguire le istruzioni di montaggio fornite con le spine di buona qualità. Fusibile raccomandato: 13A.

Tutela ambientale



Raccolta differenziata. I prodotti e le batterie contrassegnati con questo simbolo non devono essere smaltiti con i rifiuti domestici normali.

Prodotti e batterie contengono materiali che possono essere recuperati o riciclati, riducendo la domanda di materie prime. Riciclare i prodotti elettrici e le batterie attenendosi alle disposizioni locali vigenti.

Ulteriori informazioni sono disponibili all'indirizzo web www.2helpU.com

Garanzia

Black & Decker è certa della qualità dei propri prodotti e offre ai consumatori una garanzia di 24 mesi dalla data di acquisto. Il presente certificato di garanzia è complementare ai diritti legali e non li pregiudica in alcun modo. La garanzia è valida nei territori degli Stati membri dell'Unione Europea o dell'EFTA (Associazione europea di libero scambio).

Per attivare la garanzia, il reclamo deve essere effettuato in accordo con i Termini e Condizioni Black&Decker e sarà necessario presentare la prova di acquisto al venditore o all'agente di riparazione autorizzato. I Termini e condizioni della garanzia Black&Decker di 2 anni e la sede del tecnico riparatore autorizzato più vicino sono consultabili su Internet all'indirizzo www.2helpU.com, o contattando l'ufficio Black&Decker di zona all'indirizzo postale indicato in questo manuale.

Visitare il nostro sito www.blackanddecker.it per registrare il prodotto Black&Decker appena acquistato e ricevere gli aggiornamenti su nuovi prodotti e offerte speciali.

Bedoeld gebruik

Deze BLACK+DECKER™ FSMH1321, BHSM166DSM, BHSM168D, BHSM168DSM, BHSM168U, BHSM169DSM, BHSM1610DSM, BHSM1615DSM, BHSM1615DSG, BHSM1615DAM stoomreiniger is ontworpen voor het reinigen van vloeren van geseald hardhout, laminaat, linoleum, keramische tegels, steen of marmer. Dit apparaat is uitsluitend bestemd voor huishoudelijk gebruik binnenshuis.

Instructies voor de veiligheid



Waarschuwing! Lees alle veiligheidsinstructies en alle instructies. Wanneer de volgende waarschuwingen en voorschriften niet in acht worden genomen, kan dit een elektrische schok, brand of ernstig letsel tot gevolg hebben.



Waarschuwing! Bij apparaten voor gebruik op de netspanning moeten bepaalde elementaire voorzorgsmaatregelen, waaronder de navolgende, in acht worden genomen om het gevaar voor brand, elektrische schokken, persoonlijk letsel en materiële schade tot een minimum te beperken.

- ◆ In deze handleiding wordt het bedoeld gebruik beschreven.
- ◆ Het gebruik van accessoires of hulpstukken of het uitvoeren van handelingen, anders dan die in deze gebruikershandleiding worden aanbevolen, kan een risico van persoonlijk letsel geven.
- ◆ Bewaar deze handleiding zodat u deze nog eens kunt raadplegen.

Het apparaat gebruiken

- ◆ Richt de stoom niet op mensen, dieren, elektrische apparaten of stopcontacten.
- ◆ Stel het apparaat niet bloot aan regen.
- ◆ Dompel het apparaat niet onder in water.
- ◆ Laat het apparaat niet onbeheerd achter.
- ◆ Laat het apparaat niet aangesloten op het stopcontact wanneer u het niet gebruikt.
- ◆ Trek de stekker nooit aan het snoer uit het stopcontact. Houd het apparaat uit de buurt van warmtebronnen, olie en scherpe randen.
- ◆ Raak de stoomreiniger niet aan met natte handen.
- ◆ Trek of draag het apparaat nooit aan het snoer, gebruik het snoer niet als handvat, klem het snoer niet tussen de deur, trek het snoer niet langs scherpe randen en stel het snoer niet bloot aan hete oppervlakken.
- ◆ Gebruik het apparaat niet in een afgesloten ruimte die gevuld is met dampen uit verfverdunder op oliebasis, sommige anti-motstoffen, ontvlambaar stof of andere explosieve of giftige dampen.
- ◆ Vraag bij de fabrikant na of het type vloer geschikt is.
- ◆ Gebruik de stoomreiniger niet op leer, met was gepolijste meubels of vloeren, synthetische vezels, fluweel of andere fijne stoomgevoelige materialen.



Waarschuwing! Gebruik het apparaat niet op niet-geseald hout of niet-gesealde laminaatvloeren. Op oppervlakken die behandeld zijn met was of op sommige niet-wasvloeren, kan de glans verdwijnen door de hitte en de stoom. Het wordt altijd aangeraden eerst een klein onopvallend stukje van het oppervlak dat moet worden gereinigd, te testen voordat u het hele oppervlak reinigt. Wij adviseren u ook de gebruiks- en onderhoudsinstructies van de fabrikant door te lezen.

- ◆ Giet nooit ontkalkingsmiddel, aromatische of alcoholische producten of reinigingsmiddelen in de stoomreiniger. Deze producten kunnen het apparaat beschadigen en onveilig voor gebruik maken.
- ◆ Als de stroomonderbreker in uw huis wordt geactiveerd terwijl u de stoomfunctie gebruikt, stop dan met het gebruik van het apparaat en neem contact op met de klantenservice. (Pas op voor elektrische schokken.)
- ◆ Het apparaat produceert hete stoom waarmee u oppervlakken kunt reinigen. Dit betekent dat de stoomkop, het reinigingskussen en het tapijthulpstuk zeer heet worden tijdens gebruik.

Let op! Draag altijd geschikte schoenen wanneer u de stoomreiniger gebruikt en wanneer u de accessoires op de stoomreiniger wisselt.

Draag geen slippers of schoeisel met open tenen.

- ◆ Het deksel kan heet worden tijdens het gebruik.
- ◆ Er kan stoom uit het apparaat ontsnappen tijdens gebruik. Ga altijd voorzichtig te werk wanneer u dit apparaat gebruikt. Raak GEEN onderdelen aan die heet kunnen worden tijdens gebruik.
- ◆ Schakel het apparaat uit en zet de steel rechtop voordat u de watertank verwijdert.
- ◆ Als u ziet dat er stoom uit de behuizing van de hand-stoomreiniger ontsnapt, schakel de reiniger dan uit en trek de stekker uit het stopcontact zodat het apparaat kan afkoelen. Neem contact op met het servicecentrum bij u in de buurt. Ga niet door met het gebruik van het apparaat.

Na gebruik

- ◆ Trek de stekker uit het stopcontact en laat het apparaat afkoelen voordat u het schoonmaakt.
- ◆ Berg het apparaat wanneer u het niet gebruikt, op een droge plaats op.
- ◆ Berg apparaten buiten het bereik van kinderen op.

Inspectie en reparaties

- ◆ Schakel het apparaat uit, haal de stekker uit het stopcontact en laat het apparaat afkoelen voordat u onderhoud of een reparatie uitvoert.
- ◆ Controleer het apparaat vóór gebruik op beschadigde en defecte onderdelen.

Controleer het apparaat op gebroken onderdelen, schade aan de schakelaars en andere omstandigheden die de werking ervan kunnen beïnvloeden.

- ◆ Controleer het snoer regelmatig op beschadiging.
- ◆ Gebruik het apparaat niet als een of meer onderdelen beschadigd of defect is.
- ◆ Laat beschadigde of defecte onderdelen door een geautoriseerd servicecentrum repareren of vervangen.
- ◆ Probeer nooit andere onderdelen te verwijderen of te vervangen dan de onderdelen die in deze handleiding worden genoemd.

Veiligheid van anderen

- ◆ Dit apparaat mag worden gebruikt personen die lichamelijk of geestelijk minder valide zijn of die geen ervaring met of kennis van dit apparaat hebben, mits zij onder toezicht staan of instructies krijgen voor een veilige manier van gebruiken van het apparaat en inzicht hebben in de mogelijke gevaren. Kinderen mogen niet met het apparaat spelen.
- ◆ Houd toezicht op kinderen zodat zij niet met het apparaat kunnen spelen.
- ◆ Haal de stekker uit het stopcontact voordat u het apparaat gaat schoonmaken of er onderhoud aan gaat uitvoeren.

- ◆ De vloeistof of stoom mag niet worden gericht op apparatuur die elektrische componenten bevat, zoals de binnenzijde van ovens.
- ◆ Het apparaat mag niet onbeheerd worden achtergelaten terwijl de stekker in het stopcontact zit.
- ◆ Gebruik het apparaat niet als het is gevallen, als er zichtbare tekenen van beschadiging zijn of als het apparaat lekt.
- ◆ Houd het apparaat buiten bereik van kinderen wanneer het is ingeschakeld of wanneer het afkoelt.
- ◆ Richt de mof nooit op uzelf of op een ander persoon.
- ◆ Wees voorzichtig bij het gebruik van het apparaat vanwege de uitstoot van stoom.
- ◆ Koppel het apparaat los tijdens het vullen en schoonmaken.
- ◆ De stoffen stomer mag niet zonder toezicht worden achtergelaten terwijl deze is aangesloten op het stroomnet.
- ◆ De stoffen stoomboot mag niet worden gebruikt als deze is gevallen, als er zichtbare tekenen van schade zijn of als hij lekt.
- ◆ Houd de stoffen stoomboot en het snoer buiten het bereik van kinderen jonger dan 8 jaar wanneer deze onder spanning staat of afkoelt

Deze risico's kunnen zich voordoen door onoordeelkundig gebruik, langdurig gebruik, enz. Zelfs wanneer de veiligheidsvoorschriften in acht worden genomen en de veiligheidsvoorzieningen worden gebruikt, kunnen bepaalde risico's niet worden uitgesloten. Dit zijn onder meer:

- ◆ Verwondingen die worden veroorzaakt door het aanraken van bewegende onderdelen.
- ◆ Verwondingen die worden veroorzaakt door het aanraken van warme onderdelen.
- ◆ Verwondingen die worden veroorzaakt bij het vervangen van onderdelen of accessoires.
- ◆ Verwondingen die worden veroorzaakt door langdurig gebruik van het apparaat. Wanneer u het apparaat gedurende langere perioden gebruikt, is het belangrijk dat u de werkzaamheden regelmatig onderbreekt.

Elektrische veiligheid



Waarschuwing! Waarschuwing! Dit product moet geaard zijn. Controleer altijd dat de stroomvoorziening overeenkomt met de voltage op het typeplaatje.

De netstekker moet in het stopcontact passen. Pas de stekker nooit op enige manier aan. Niet-aangepaste stekkers en passende contactdozen verminderen het risico van een elektrische schok.

Overige risico's

Er kunnen zich bij het gebruik van dit gereedschap nog meer risico's voordoen, die mogelijk niet in de bijgesloten veiligheidswaarschuwingen worden beschreven.

- ◆ Als het netsnoer is beschadigd, moet het door de fabrikant of door een geautoriseerd BLACK+DECKER-servicecentrum worden vervangen, zodat gevaarlijke situaties worden voorkomen.

Verlengsnoeren & product van klasse 1

- ◆ moet een 3-aderig snoer gebruiken omdat het apparaat geaard en van klasse 1 is.
- ◆ Gebruik altijd een goedgekeurd verlengsnoer dat geschikt is voor het opgenomen vermogen van dit apparaat (zie technische gegevens). U kunt een snoer van 1,50mm² van maximaal 30m lang gebruiken zonder dat de prestaties van het gereedschap afnemen. Controleer het verlengsnoer vóór gebruik op tekenen van beschadiging, slijtage of veroudering. Vervang het verlengsnoer als het beschadigd of defect is. Rol het snoer altijd volledig af, wanneer u een haspel gebruikt.

Labels op het apparaat

De volgende pictogrammen worden met de datumcode op het apparaat weergegeven.



LET OP! Hete stoom



Lekkage van waterdruppels bij gebruik ondersteboven



Er ontsnapt stoom aan alle zijden



Laat niet onbeheerd achter in aanwezigheid van jonge kinderen



Alleen op de hand wassen



LET OP! Heet oppervlak

Funcities

Dit apparaat heeft enkele of alle van de volgende functies.

1. Aan/Uit-schakelaar
2. Autoselect™-knop
3. Handgreep van de hand-stoomreiniger
4. Vuldop
5. Hand-stoomreiniger
6. Handgreep
7. Bovenste kabelopberghaak
8. Hoofdhandgreep
9. Onderste kabelopberghaak
10. Vrijgaveknop van de hand-stoomreiniger
11. Behuizing
12. Vloerkop
- 12a. Vloerkop met uitneembare driehoekig deel
- 12b. Driehoekige kop
- 12c. Verwijderingsnok stoomkop
- 12d. Tapijtslede (voor gebruik op tapijten)
13. Reinigingskussen voor de vloer
14. Vrijgavenok van het reinigingskussen voor de vloer
15. Ophangbeugel
16. Stoomslang
17. Stoommondstuk
18. Hulpstuk hoekborstel (voor moeilijk te verwijderen vlekken)
- 18a. Hoekborstel (draadborstel)
19. Borstelhulpstuk (voor gebruik op tegels / voegen)
20. Wissershulpstuk (voor gebruik op doucheschermen / glas / spiegels / kleding / bekleding)
- 20a. Wissersok
21. Wissershulpstuk (voor gebruik op doucheschermen / glas / spiegels / kleding / bekleding)
- 21a. Grote wissersok
22. Stoomstootborstel-unit
- 22a. Stoomstoot-draadborstel (voor gebruik op bbq's/ovens)

- 22b. Stoomstootborstel (voor gebruik op BBQ's / ovens / kookplaten / kranen / voegen)
- 22c. Stoomstootborstel breed (voor gebruik op grotere werkoppervlakken)
23. Reinigingskussen voor driehoekige kop.
24. SteaMitt™
25. SteaMitt™-slang
26. SteaMitt™-reinigingskussen
27. SteaMitt™-reinigingskussen 2
28. Ultra-absorberende vloerreinigingskussen
29. Grote borstel met ingebouwde schraper

Configuratie

	F S M H 1 3 2 1	B H S M 1 6 8 D	B H S M 1 6 8 U	B H S M 1 6 6 D S M	B H S M 1 6 8 D S M	B H S M 1 6 9 D S M	B H S M 1 6 1 1 0 D S M	B H S M 1 6 1 5 D S M	B H S M 1 6 1 5 D S G	B H S M 1 6 1 5 D A M	S E T T I N G S
12	✓										Alle
12a		✓	✓	✓	✓	✓	✓	✓	✓	✓	Alle
12d		✓	✓	✓	✓	✓	✓	✓	✓	✓	Alle
13	✓	✓	✓	✓	✓	✓	✓	✓	✓	✓	Alle
16	✓	✓	✓	✓	✓	✓	✓	✓	✓	✓	Alle
18	✓	✓	✓	✓	✓	✓	✓	✓	✓	✓	-
18a							✓				...
19	✓	✓	✓	✓		✓	✓	✓	✓		...
20	✓			✓	✓		✓				-
20a	✓			✓	✓						-
21		✓	✓			✓		✓	✓	✓	-
21a					✓			✓	✓	✓	-
22					✓		✓			✓	Alle
22a					✓		✓			✓	Alle
22b					✓		✓			✓	Alle
22c					✓		✓			✓	Alle
23		✓	✓	✓	✓	✓	✓	✓	✓	✓	Alle
24				✓	✓	✓	✓	✓	✓	✓	Alle
25				✓	✓	✓	✓	✓	✓	✓	Alle
26				✓	✓	✓	✓	✓	✓	✓	Alle
27							✓	✓	✓	✓	Alle
28							✓	✓	✓	✓	Alle
29							✓	✓			Alle

Montage



Waarschuwing! Controleer, voordat u de volgende instructies volgt, dat het apparaat is uitgeschakeld en de stekker uit het stopcontact is getrokken en dat het apparaat is afgekoeld en geen water bevat.

De handgreep vastmaken (Afb. A)

- ◆ Schuif de onderzijde van de handgreep (8) in de bovenzijde van de behuizing van de stoomreiniger (11) totdat deze vastklikt.

De hand-stoomreiniger bevestigen (Afb. B)

- ◆ Duw, terwijl u de achterzijde van de behuizing (11) van de stoomreiniger vasthoudt, de hand-stoomreiniger (5) stevig in de behuizing (11) van de stoomreiniger en let er daarbij op dat de reiniger goed over de aansluiting (11a) past en stevig vastklikt.

De hand-stoomreiniger losnemen (Afb. B)

- ◆ Duw de vrijgaveknop (10) op de behuizing (11) in en til de hand-stoomreiniger (5) van de aansluiting (11a) en los van de behuizing (11).

Een reinigingskussen bevestigen (Afb. C)

Vervangende reinigingskussens zijn verkrijgbaar bij uw BLACK+DECKER-leverancier: - (cat. nr. FSMP20-XJ).

- ◆ Plaats een reinigingskussen (13) op de vloer met de klittenband-zijde naar boven.
- ◆ Druk de stoomreiniger licht op het reinigingskussen (13).

Opmerking: Dit apparaat kan zijn geleverd met een standaard vloerreinigingskop (12) of een stoomreinigingskop (12a). Plaats in beide gevallen een reinigingskussen volgens deze instructies.

Let op! Laat de stoomreiniger nooit langere tijd op één plek op een oppervlak staan. Zet de stoomreiniger altijd met de handgreep (8) rechtop neer en let erop dat u de stoomreiniger uitschakelt, wanneer u het apparaat niet gebruikt.

Een reinigingskussen verwijderen

Let op! Draag altijd geschikte schoenen wanneer u de reinigingskussens verwisselt op de stoomreiniger. Draag geen slippers of schoeisel met open tenen.

- ◆ Zet de handgreep (8) weer rechtop en schakel de stoomreiniger 'UIT'.
- ◆ Wacht tot de stoomreiniger is afgekoeld (ongeveer 5 minuten).
- ◆ Til de stoomreiniger van het reinigingskussen en los van de klittenbandbevestiging.

Let op! Laat de stoomreiniger nooit langere tijd op één plek op een oppervlak staan. Zet de stoomreiniger altijd met de handgreep (8) rechtop neer en let erop dat u de stoomreiniger uitschakelt, wanneer u het apparaat niet gebruikt.

De watertank vullen (Afb. O)

NB! Vul de watertank met schoon kraanwater (Gebruik geen toevoegingen of chemicaliën).

NB! In gebieden met hard water wordt het gebruik van gedeïoniseerd water aangeraden.

- ◆ Open de vuldop (4) door deze omhoog te klappen.
- ◆ Vul de watertank met water (Gebruik geen toevoegingen of chemicaliën).

Waarschuwing! Maak de watertank los van de stoomreiniger en houd de tank tijdens het vullen in een horizontale stand.

Waarschuwing! De watertank heeft een capaciteit van 0,5 liter. Doe de tank niet te vol.

- ◆ Sluit de vuldop (4).

NB! Controleer dat de vuldop stevig vastzit.

Het tapijthulpstuk bevestigen (12d) (Uitsluitend voor tapijt)

- ◆ Plaats het tapijthulpstuk (12d) op de vloer.
- ◆ Bevestig een reinigingskussen op de vloerreinigingskop (12,12a)
- ◆ Druk de stoomreiniger licht op het tapijthulpstuk (12d) tot dit op z'n plaats vastklikt.

Let op! Laat de stoomreiniger nooit langere tijd op één plek op een oppervlak staan. Zet de stoomreiniger altijd met de handgreep (8) rechtop neer en let erop dat u de stoomreiniger uitschakelt, wanneer u het apparaat niet gebruikt.

Het tapijthulpstuk losnemen

Let op! Draag altijd geschikte schoenen wanneer u het tapijthulpstuk verwijdert van de stoomreiniger. Draag geen slippers of schoeisel met open tenen.

- ◆ Zet de handgreep (8) weer rechtop en schakel de stoomreiniger 'UIT'.
- ◆ Wacht tot de stoomreiniger is afgekoeld (ongeveer 5 minuten).
- ◆ Plaats de punt van uw schoen op de verwijderingsnok van het tapijthulpstuk en druk stevig omlaag.
- ◆ Til de stoomreiniger omhoog en los van het tapijthulpstuk.

Let op! Laat de stoomreiniger nooit langere tijd op één plek op een oppervlak staan. Zet de stoomreiniger altijd met de handgreep (8) rechtop neer en let erop dat u de stoomreiniger uitschakelt, wanneer u het apparaat niet gebruikt.

De driehoekige kop (Afb. D)

Deze stoomreiniger wordt geleverd met een ingebouwde driehoekige kop waarmee u in hoeken en kleine ruimten kunt komen. **Let op!** Draag altijd geschikte schoenen wanneer u de driehoekige kop op de stoomreiniger gebruikt. Draag geen slippers of schoeisel met open tenen.

- ◆ Zet de stoomreiniger in de stand 'OFF'
- ◆ Wacht tot de stoomreiniger is afgekoeld (ongeveer vijf minuten).
- ◆ Plaats de punt van uw schoen op de verwijderingsnok (12c) van de stoomkop en druk voorzichtig omlaag.
- ◆ Til de driehoekige kop (12b) van de stoomkop (12a)
- ◆ Plaats het reinigingskussen voor de driehoekige kop onder de driehoekige kop.

Opmerking: Neem het reinigingskussen los voor u de driehoekige kop weer op de stoomkop bevestigt.

- ◆ Plaats, als u de driehoekige kop weer wilt plaatsen, de punt van de driehoekige kop in de stoomkop en druk stevig omlaag zodat de driehoekige kop op z'n plaats klikt.

De slang en accessoires aan de hand-stoomreiniger bevestigen (Afb. G - M)

Waarschuwing! Inspecteer voor ieder gebruik het aansluitpunt van de hand-stoomreiniger (5) en de stoomslang (16). Neem contact op met de officiële servicemonteur bij u in de buurt als de afdichting niet goed werkt of beschadigd is. Gebruik het apparaat niet.

De slang bevestigen

- ◆ Druk de vrijgaveknop (16a) van de stoomslang op de stoomslang (16).
- ◆ Sluit de stoomslang (16) aan op de hand-stoomreiniger (5) en laat de vrijgaveknop van de stoomslang los (16a), let erop dat deze op z'n plaats klikt.

Belangrijk! Controleer dat de slang (16) stevig vastzit op de hand-stoomreiniger (5). Als er stoom ontsnapt uit de aansluiting, is de slang niet goed geplaatst. Schakel het apparaat uit, laat het afkoelen en plaats de slang opnieuw.

Hulpstukken bevestigen (Afb. H)

- ◆ Houd de nokken op de stoomspuitmond (17) tegenover de uitsparingen op het accessoire.
- ◆ Druk het accessoire op het stoommondstuk (17) en draai naar links tot het hulpstuk op z'n plaats vastklikt.

Belangrijk! Alle hulpstukken, behalve de SteaMitt™ (24), die zijn eigen slang en aansluiting heeft (25), moeten voor gebruik op de stoomslang (16) worden bevestigd.

De slang en hulpstukken losnemen

Waarschuwing! De stoomslang (16), stoomspuitmond (17) en de hulpstukken worden heet tijdens gebruik. Laat het apparaat en alle hulpstukken afkoelen voordat u hulpstukken losneemt.

Een hulpstuk losnemen

- ◆ Draai het accessoire naar rechts en trek het van de slang (16).

De slang losnemen

- ◆ Druk op de vrijgaveknop (16a) van de stoomslang (16) en trek deze los van de slang los van de hand-stoomreiniger.

SteaMitt™

De BLACK+DECKER™ SteaMitt™ is ontworpen voor het reinigen van tegels, werkbladen, keukenbladen en badkamers.

Dit apparaat is uitsluitend bestemd voor huishoudelijk gebruik binnenshuis.

De slang van de SteaMitt™ op de hand-stoomreiniger bevestigen

Waarschuwing! Controleer de afdichting op het stoommondstuk en de slang voor elk gebruik. Neem contact op met het officiële servicecentrum bij u in de buurt als de afdichting ontbreekt of beschadigd is.

Gebruik het apparaat niet. Inspecteer de afdichting op de SteaMitt™ en de slang. Als de afdichting ontbreekt, is beschadigd of er ontsnapt stoom, neem dan contact op met het officiële servicecentrum bij u in de buurt. **Gebruik het apparaat niet.** Controleer dat er geen knik of verstopping in de slang van de SteaMitt™ of de slang van het hulpstuk zit. Neem contact op met het officiële servicecentrum bij u in de buurt als u dit ontdekt. **Gebruik het apparaat niet.**

Een reinigingskussen op de SteaMitt™ bevestigen (Afb J)


Waarschuwing! Controleer dat er geen blokkade of verstopping in de stoomopeningen zit. Neem contact op met het officiële servicecentrum bij u in de buurt als u dit ontdekt.

Gebruik het apparaat niet.

- ◆ Bevestig het reinigingskussen (26) op de SteaMitt™ (24) door de klittenband-stroken (26a) aan de bovenzijde van het reinigingskussen en de klittenband-stroken (24a) aan de onderzijde van de SteaMitt™ (24) op elkaar vast te maken. Druk het reinigingskussen stevig vast.


Waarschuwing! Gebruik de SteaMitt™ niet zonder een reinigingskussen.


Opmerking: De SteaMitt™ is geschikt voor 4 typen reinigingskussens van verschillende dikten. Schuurkussens (voor gebruik op hardnekkige vlekken en niet-kwetsbare oppervlakken), Badkamerkussens (voor gebruik op kranen en andere aangeslagen oppervlakken in de badkamer), Standaard-reinigingskussens (voor alle grotere oppervlakken) en Polijstkussens (voor kwetsbare oppervlakken).

 **Waarschuwing!** Gebruik de SteaMitt™ altijd zoals wordt getoond in afbeelding M, met uw hand in de beschermende handschoen.

Waarschuwing! Probeer nooit de SteaMitt™ te gebruiken

 door het apparaat aan de buitenzijde vast te pakken zoals wordt getoond in afbeelding N. U zult zich dan branden.

 **Waarschuwing!** Gebruik de SteaMitt™ niet in krappe hoeken, zoals in afbeelding O wordt getoond.

 **Waarschuwing!** Als er zich een probleem voordoet tijdens het gebruik, haal dan met behulp van de nok van de snelsluiting snel de SteaMitt™ van uw hand, zoals wordt getoond in afbeelding P.

Waarschuwing! Gebruik de SteaMitt™ niet op koud glas, zoals vensterruiten, omdat deze kunnen beschadigen door de plotselinge temperatuurverandering.



Waarschuwing! Richt de mof nooit op uzelf of een ander persoon.

Opmerking: De keuzeknop voor variabele stoom wordt losgekoppeld wanneer de SteaMitt™ wordt geplaatst en de toevoer van stoom is daarna beperkt.

Gebruik

Belangrijk! Wanneer u dit apparaat volgens de aanwijzingen in deze handleiding gebruikt, de microvezeldoeken plaatst en het apparaat 90 seconden lang laat werken, doodt het 99,9% van alle bacteriën en ziektekiemen.

In- en uitschakelen

- ◆ Schakel het apparaat in door op de aan/uit-schakelaar (1) te drukken. Het opwarmen van de stoomreiniger duurt ongeveer 20 seconden.
- ◆ Schakel het apparaat uit door op de aan/uit-schakelaar (1) te drukken.

Opmerking: Steek altijd eerst uw hand in de SteaMitt™ voor u op de stoomknop drukt.

Let op! Laat de stoomreiniger nooit langere tijd op één plek op een oppervlak staan.

Zet de stoomreiniger altijd met de handgreep (8) rechtop neer en let erop dat u de stoomreiniger uitschakelt, wanneer u het apparaat niet gebruikt.

Let op! Giet de stoomreiniger na gebruik altijd leeg.

NB! Wanneer u de stoomreiniger voor de eerste keer vult of nadat de watertank leeg is geweest, kan het tot wel 45 seconden duren voordat er stoom wordt geproduceerd.

Autoselect™-technologie (Afb. P)

Deze stoomreiniger is uitgerust met een Autoselect™-knop (2) waarop verschillende reinigingstoepassingen zijn afgebeeld. Hiermee kunt u de juiste gebruiksstand voor uw schoonmaakwerk selecteren.

Kies één van de volgende toepassingen met Autoselect™ door de Autoselect™-knop (2) naar de gewenste instelling draaien.

Stand	Dweilen	Met de hand
	Hout/Laminaat	Geringe hoeveelheid stoom ★
	Tegels/Vinyl	Gemiddelde hoeveelheid stoom ★ ★
	Steen/Marmar	Grote hoeveelheid stoom ★ ★ ★

De stoomreiniger selecteert de juiste hoeveelheid stoom die nodig is voor uw schoonmaakwerk.

Opmerking: Controleer vóór het gebruik van de stoomreiniger altijd dat u de juiste instelling hebt geselecteerd.

Tips voor optimaal gebruik

Algemeen

Voorzichtig: Gebruik de stoomreiniger nooit zonder eerst een reinigingskussen te bevestigen.

- ◆ Veeg of stofzuig de vloer altijd voordat u de stoomreiniger gebruikt.
- ◆ U werkt het gemakkelijkst met het apparaat door de handgreep in een hoek van 45° te kantelen en steeds kleine oppervlakken schoon te maken.
- ◆ Gebruik in de stoomreiniger alleen water, zonder toevoegingen en chemicaliën. U kunt hardnekkige vlekken uit vinyl- of linoleumvloeren verwijderen door ze, voor u de stoomreiniger gebruikt, voor te behandelen met een mild reinigingsmiddel en wat water.

Stoomreinigen met de reiniger

- ◆ Plaats de hand-stoomreiniger (5) op de behuizing van de stoomreiniger (11)
- ◆ Plaats een reinigingskussen (13) op de vloer met de klittenband-zijde naar boven.
- ◆ Druk de stoomreiniger licht op het reinigingskussen (13).
- ◆ Steek de stekker van de stoomreiniger in het stopcontact.
- ◆ Druk op de AAN/UIT-knop (1). Het opwarmen van de stoomreiniger duurt ongeveer 15 seconden.
- ◆ Draai de Autoselect™-knop (2) tot in de gewenste stand. Na een paar seconden begint er stoom uit de stoomkop te komen.

NB! Wanneer u de stoomreiniger voor de eerste keer wilt of nadat de watertank leeg is geweest, kan het tot wel 45 seconden duren voordat er stoom wordt geproduceerd.

- ◆ Het duurt een aantal seconden voor er stoom in het reinigingskussen doordringt. De stoomreiniger glijdt nu gemakkelijk over het te ontsmetten/reinigen oppervlak.
- ◆ Duw en trek de stoomreiniger langzaam over het vloeroppervlak zodat dit in delen grondig met stoom wordt gereinigd.
- ◆ Zet, wanneer u klaar bent met de stoomreiniger, de handgreep (8) weer rechtop, en let er daarbij op dat de handgreep wordt ondersteund, en schakel het apparaat uit ('OFF'). Wacht tot de stoomreiniger is afgekoeld (ongeveer vijf minuten).

Let op! Het is belangrijk dat goed let op het waterniveau in de watertank. Wanneer u de watertank wilt vullen en daarna wilt doorgaan met reinigen, zet de handgreep dan rechtop en schakel de stoomreiniger 'UIT'. Haal de stekker uit het stopcontact, vul de watertank.

Let op! Laat de stoomreiniger nooit langere tijd op één plek op een oppervlak staan.

Zet de stoomreiniger altijd met de handgreep (8) rechtop neer en let erop dat u de stoomreiniger uitschakelt, wanneer u het apparaat niet gebruikt.

Tapijtopfrissing

- ◆ Plaats een reinigingskussen (13) op de vloer met de klittenband-zijde naar boven.
- ◆ Druk de stoomreiniger licht op het reinigingskussen.
- ◆ Plaats het tapijthulpstuk (12d) op de vloer.
- ◆ Druk de stoomreiniger licht op het tapijthulpstuk tot dit op z'n plaats vastklikt.
- ◆ Steek de stekker van de stoomreiniger in het stopcontact.
- ◆ Druk op de AAN/UIT-knop (1). Het opwarmen van de stoomreiniger duurt ongeveer 15 seconden.
- ◆ Draai de Autoselect™-knop (2) naar de stand Hout/Laminaat.
- ◆ Duw en trek de stoomreiniger langzaam over het tapijt en fris het in gedeelten grondig op.
- ◆ Zet, wanneer u klaar bent met de stoomreiniger, de handgreep (8) weer rechtop, en schakel het apparaat uit ('OFF'). Wacht tot de stoomreiniger is afgekoeld (ongeveer vijf minuten).

Na gebruik

- ◆ Draai de Autoselect™-knop (2) in de stand OFF.
- ◆ Wacht tot de stoomreiniger is afgekoeld.
- ◆ Haal de stekker uit het stopcontact.
- ◆ Giet de watertank leeg.
- ◆ Maak het reinigingskussen (13) los en was het voor een volgend gebruik (volg vooral de wasvoorschriften die op het reinigingskussen zijn afgedrukt).
- ◆ Wind het snoer om de opberghaken (7 en 9).
- ◆ Er is een ophanghaak (15) ingebouwd in de handgreep (6), en u kunt daarmee de stoomreiniger aan een geschikte haak aan de wand hangen. Controleer altijd dat de wandhaak stevig genoeg is voor het gewicht van de stoomreiniger.
- ◆ De handgreep is ook voorzien van een rubberen stop zodat u de stoomreiniger veilig tegen een verticaal oppervlak kunt laten steunen.

Schoonmaken met de hand-stoomreiniger

Waarschuwing! Het apparaat zal alleen voldoende stroom produceren als het is aangesloten op de behuizing (11) en de stoomslang (16) is geplaatst.

Waarschuwing! Alleen in de horizontale stand te gebruiken.

- ◆ Bevestig het accessoire dat u wilt gaan gebruiken.
- ◆ Steek de stekker van de handstoomreiniger in het stopcontact.
- ◆ Druk op de AAN/UIT-knop (1). Het opwarmen van de stoomreiniger duurt ongeveer 15 seconden.

- ◆ Draai de Autoselect™-knop (2) in de gewenste stand. Na een paar seconden begint er stoom uit de stoomkop te komen.

NB! Wanneer u de stoomreiniger voor de eerste keer vult of nadat de watertank leeg is geweest, kan het tot wel 45 seconden duren voordat er stoom wordt geproduceerd.

- ◆ Draai, wanneer u klaar bent met het werken met de stoomreiniger, de Autoselect™-knop (2) in de stand OFF. Schakel het apparaat uit door op de aan/uit-knop (ON/OFF) (1) te drukken en trek de stekker uit het stopcontact. Wacht even (ongeveer vijf minuten) met opbergen tot het apparaat is afgekoeld.

Accessoires

De prestaties van het apparaat zijn afhankelijk van de gebruikte accessoires. Accessoires van BLACK+DECKER zijn ontworpen volgens hoge kwaliteitsnormen en zij verhogen de prestaties van uw apparaat. Door deze accessoires te gebruiken kunt u uw apparatuur optimaal laten presteren.

Technische gegevens

	Spanning	Elektrisch	Tankcapaciteit	Opwarmtijd	Kabellengte	Gewicht
	V _{ac}	W	ml	sec	m	kg
FSMH1321	230	1600	500	≤20	6	2,7
BHSM168D	230	1600	500	≤20	6	2,8
BHSM168U	230	1600	500	≤20	6	2,8
BHSM166DSM	230	1600	500	≤20	6	2,8
BHSM161SDSM	230	1600	500	≤20	7	2,9
BHSM161SDAM	230	1600	500	≤20	7	2,9
BHSM161SDSG	230	1600	500	≤20	8	2,9
BHSM168DSM	230	1600	500	≤20	8	2,9
BHSM169DSM	230	1600	500	≤20	8	2,9
BHSM1610DSM	230	1600	500	≤20	8	2,9

Problemen oplossen

Ga te werk volgens onderstaande instructies, als de machine niet goed lijkt te functioneren. Neem contact op met het BLACK+DECKER-servicecentrum bij u in de buurt, als u het probleem niet kunt verhelpen.

Probleem	Stap	Mogelijke oplossing
De stoomreiniger werkt niet	1.	Controleer dat de stekker van de unit in het stopcontact zit.
	2.	Controleer dat de unit is ingeschakeld met de AAN/UIT-schakelaar (1)
	3.	Controleer de zekering.

Probleem	Stap	Mogelijke oplossing
De stoomreiniger produceert geen stoom	4.	De stoomreiniger produceert alleen stoom als de hand-stoomreiniger (5) goed in de behuizing (11) is geplaatst, de stoomslang is geplaatst en Autoselect™ op ON is gezet
	5.	Controleer dat de watertank vol is. Opmerking: Wanneer u de stoomreiniger voor de eerste keer vult of nadat de watertank leeg is geweest, kan het tot wel 45 seconden duren voordat er stoom wordt geproduceerd.
	6.	Controleer stap 1, dan 2, dan 3
De stoomreiniger produceert tijdens het gebruik geen stoom meer	7.	Controleer stap 4, dan 5, dan 3
De stoomreiniger produceert tijdens het werken te veel stoom	8.	Beperk de hoeveelheid stoom die wordt geproduceerd door de Autoselect™-knop (2) naar links te draaien
De stoomreiniger produceert tijdens het werken te weinig stoom	9.	Laat de hoeveelheid stoom die wordt geproduceerd toenemen door de Autoselect™-knop (2) naar rechts te draaien
Er komt geen stoom uit de hand-stoomreiniger	10.	Controleer dat de Autoselect™-knop (2) in de stand ON staat
	11.	Controleer stap 5, dan 1, dan 2, dan 3
De hand-stoomreiniger produceert tijdens het werken te weinig stoom	12.	Laat de hoeveelheid stoom die wordt geproduceerd toenemen door de Autoselect™-knop (2) naar rechts te draaien
	13.	Controleer stap 5
De hand-stoomreiniger produceert tijdens het werken te veel stoom	14.	Beperk de hoeveelheid stoom die wordt geproduceerd door de Autoselect™-knop (2) naar links te draaien
De hulpstukken blijven van het apparaat vallen	15.	Raadpleeg het hoofdstuk van de handleiding met de instructies voor de juiste bevestiging van alle onderdelen en accessoires
Er ontsnapt stoom uit het apparaat op plaatsen waar u dat niet verwacht	16.	Raadpleeg het hoofdstuk van de handleiding met de instructies voor de juiste bevestiging van alle onderdelen en accessoires
Waar kan ik meer informatie/accessoires verkrijgen	17.	www.blackanddecker.co.uk/steammop www.blackanddecker.ie/steammop

Onderhoud en reiniging

Dit BLACK+ DECKER-apparaat (met snoer) is ontworpen om gedurende langere periode te functioneren met een minimum aan onderhoud. Voortdurend gebruik naar tevredenheid is afhankelijk van de juiste verzorging en regelmatige reiniging van het apparaat.

Waarschuwing! Schakel het apparaat uit en verwijder altijd de stekker uit het stopcontact voor u onderhouds- of reinigingswerkzaamheden aan het apparaat uitvoert.

- ◆ Veeg het apparaat schoon met een zachte vochtige doek.
- ◆ Voor hardnekkige vlekken kunt u doek met een milde oplossing van water en zeep bevochtigen.

Verzorging van de reinigingskussens

Wasvoorschriften - Kussens kunnen worden op 60°C worden gewassen. Gebruik geen wasverzachter. Gebruik het

kussen pas weer wanneer het volledig droog is.

Let op! Volg de wasvoorschriften die op het label van de reinigingskussens zijn afgedrukt.

Netstekker vervangen (alleen VK en Ierland)

Als er een nieuwe netstekker moet worden gemonteerd:

- ◆ Gooi de oude stekker op verantwoorde wijze weg.
- ◆ Sluit de bruine draad aan op de spanningvoerende pool in de nieuwe stekker.
- ◆ Sluit de blauwe draad op de niet-spanningvoerende pool.
- ◆ Sluit de groen/gele draad aan op de aardepool.

Waarschuwing! Volg de montage-instructies die bij stekkers van goede kwaliteit worden geleverd. Aanbevolen zekering: 13A.

Het milieu beschermen



Gescheiden afvalinzameling. Producten en accu's die zijn voorzien van dit symbool mogen niet bij het normale huishoudafval worden weggegooid

Producten en accu's bevatten materialen die kunnen worden teruggewonnen of gerecycled en dat doet de vraag naar grondstoffen afnemen. Recycle elektrische producten en accu's volgens de ter plaatse geldende bepalingen.

Nadere informatie is beschikbaar op www.2helpU.com

Garantie

Black & Decker heeft vertrouwen in zijn producten en biedt consumenten een garantie van 24 maanden vanaf de aankoopdatum. Deze garantie vormt een aanvulling op uw wettelijke rechten en beperken deze niet. De garantie is geldig op het grondgebied van de Lidstaten van de Europese Unie en de Europese Vrijhandelszone.

Voor een garantie-aanspraak moet uw aanspraak in overeenstemming zijn met de Voorwaarden en Condities van Black&Decker en moet u een bewijs van aankoop overleggen aan de verkoper of aan een geautoriseerde reparatiemonteur.

Voorwaarden en condities van de 2-jarige garantie van Black&Decker en het adres van de vestiging van het geautoriseerde reparatiecentrum bij u in de buurt, kunt u vinden op internet op www.2helpU.com, of door contact op te nemen met het Black & Decker-kantoor ter plaatse, op het adres dat in deze handleiding wordt vermeld.

Bezoek onze website www.blackanddecker.nl, waar u uw nieuwe Black & Decker-product kunt registreren en het laatste nieuws vindt over nieuwe producten en speciale aanbiedingen.

Uso previsto

Su mopa de vapor BLACK+DECKER™ FSMH1321, HSM166DSM, BHSM168D, BHSM168DSM, BHSM168U, BHSM169DSM, BHSM1610DSM, BHSM1615DSM, BHSM1615DSG, BHSM1615DAM ha sido diseñado para desinfectar y limpiar suelos de madera dura sellada, laminados sellados, linóleo, vinilo, baldosas de cerámica, piedra y mármol. Este aparato ha sido concebido únicamente para uso doméstico en interiores.

Instrucciones de seguridad



¡Advertencia! Lea todas las advertencias de seguridad y todas las instrucciones.

En caso de no atenerse a las siguientes advertencias e instrucciones de seguridad, podría producirse una descarga eléctrica, incendio o lesión grave.



¡Advertencia! Al utilizar aparatos eléctricos, es necesario seguir las precauciones de seguridad básicas, incluidas las que se indican a continuación, para reducir el riesgo de incendios, electrocución, lesiones y daños materiales.

- ◆ En este manual se describe el uso previsto del aparato.
- ◆ La utilización de accesorios o acoplamientos y la realización de operaciones distintas a las recomendadas en este manual de instrucciones con este aparato pueden conllevar un riesgo de lesiones.
- ◆ Conserve este manual para futuras consultas.

Uso del aparato

- ◆ No dirija el vapor directamente a las personas, los animales, los aparatos eléctricos o las tomas eléctricas.
- ◆ No exponga el producto a la lluvia.
- ◆ No sumerja el aparato en agua.
- ◆ No deje el aparato desatendido.
- ◆ No deje el aparato conectado a una toma eléctrica cuando no lo esté utilizando.
- ◆ No tire del cable de alimentación para desconectar el aparato de la toma de corriente. Mantenga el cable de alimentación del aparato alejado de fuentes de calor, aceites y bordes afilados.
- ◆ No manipule el limpiador a vapor con las manos húmedas.
- ◆ No tire del cable ni transporte el aparato tirando del cable, no utilice el cable como asa, no apriete el cable con puertas, no tire del cable por aristas ni lo exponga a superficies calientes.
- ◆ No utilice el aparato en espacios cerrados llenos de vapor emitido por disolventes de pintura a base de aceite, determinadas sustancias resistentes a las polillas, polvo inflamable u otros gases explosivos o tóxicos.
- ◆ Compruebe el tipo de suelo con el fabricante.
- ◆ No lo utilice sobre piel, muebles o suelos pulidos con cera, telas sintéticas, terciopelo ni en otros materiales delicados sensibles al vapor.



¡Advertencia! No lo utilice sobre suelos de madera o suelos laminados sin sellar. En superficies que han sido tratadas con cera o en algunos suelos sin cera, es posible que el calor y la acción del vapor acaben con el brillo. Antes de proceder, se recomienda siempre realizar una prueba en una zona aislada de la superficie que se va a limpiar. Es recomendable asimismo que consulte las instrucciones de uso y de cuidado del fabricante del suelo.

- ◆ No introduzca nunca productos desincrustantes, aromáticos, alcohólicos o detergentes en el limpiador a vapor, puesto que podría dañarse o funcionar de forma peligrosa.
- ◆ Si el disyuntor de su hogar se activa mientras está usando la función de vapor, deje de utilizar el aparato inmediatamente y póngase en contacto con el centro de atención al cliente. (Tenga cuidado con el riesgo de descarga eléctrica.)
- ◆ El aparato emite vapor muy caliente para desinfectar el área de uso. Esto implica que la cabeza de vapor, las almohadillas limpiadoras y el accesorio para alfombras pueden calentarse mucho durante su uso.

¡Precaución! Utilice siempre un calzado adecuado cuando maneje la mopa de vapor y cuando le cambie los accesorios.

No utilice zapatillas o calzado abierto.

- ◆ Es posible que, al utilizar el aparato, la tapa se caliente.
- ◆ Es posible que salga vapor del aparato durante el uso. Debe tenerse especial cuidado al utilizar este aparato. Mientras utiliza el aparato, NO toque las piezas que pueden calentarse.
- ◆ Apague el aparato y coloque el mango en posición vertical antes de quitar el depósito de agua.
- ◆ Si nota que sale vapor del cuerpo del limpiador a vapor de mano, apague la unidad y desconéctela de la toma de corriente.

Espera a que se enfríe. Póngase en contacto con su agente de servicio técnico más cercano. No siga utilizando el aparato.

Después de la utilización

- ◆ Desenchufe el aparato y espere a que se enfríe antes de limpiarlo.
- ◆ Cuando no utilice el aparato, debe guardarlo en un lugar seco.
- ◆ Los niños no deben tener acceso a los aparatos guardados.

Inspecciones y reparaciones

- ◆ Antes de realizar cualquier operación de mantenimiento o de reparación, debe desenchufar el aparato y esperar a que se enfríe.
- ◆ Antes de utilizar el aparato, compruebe que este no contenga piezas dañadas ni defectuosas.

Compruebe que no haya piezas rotas, que los interruptores no estén dañados y que no existan otros defectos que puedan afectar al funcionamiento del aparato.

- ◆ Compruebe periódicamente que el cable de alimentación no esté dañado.
- ◆ No utilice el aparato si presenta alguna pieza dañada o defectuosa.
- ◆ Solicite a un agente de servicio técnico autorizado la reparación o sustitución de las piezas dañadas o defectuosas.
- ◆ Nunca intente extraer ni sustituir ninguna pieza que no esté especificada en este manual.

Seguridad de otras personas

- ◆ Este aparato puede ser usado por personas con capacidades físicas, sensoriales o mentales disminuidas, o que carezca de experiencia y conocimientos, si están supervisadas o han recibido formación sobre el uso seguro del aparato y comprenden los peligros que entraña el uso. Los niños no deben jugar con el aparato.
- ◆ Los niños deben estar siempre vigilados para asegurarse de que no juegan con el aparato.
- ◆ Hay que desenchufar el enchufe de la toma de corriente antes de limpiar o hacer operaciones de mantenimiento en el aparato.
- ◆ No se debe dirigir líquido ni vapor hacia equipos que contengan componentes eléctricos como el interior de los hornos.

- ◆ El aparato no debe dejarse sin vigilancia cuando está conectado a la red de suministro.
- ◆ El aparato no debe utilizarse si se ha caído, si presenta signos visibles de daños o si tiene pérdidas.
- ◆ Mantenga el aparato alejado del alcance de los niños cuando esté enchufado o se esté enfriando.
- ◆ Nunca apunte o dirija el guante hacia usted mismo ni hacia otra persona.
- ◆ Se debe tener cuidado al usar el aparato debido a la emisión de vapor.
- ◆ Desenchufe el aparato durante el llenado y la limpieza.
- ◆ El vaporizador de telas no debe dejarse desatendido mientras esté conectado a la red de suministro.
- ◆ El vaporizador de telas no debe usarse si se ha caído, si hay signos visibles de daños o si tiene fugas.
- ◆ Mantenga el vaporizador de tela y su cable fuera del alcance de los niños menores de 8 años cuando esté energizado o enfriándose.

Riesgos residuales

El uso de esta herramienta puede producir riesgos residuales adicionales no incluidos en las advertencias de seguridad adjuntas. Estos riesgos se pueden generar por un uso incorrecto, demasiado prolongado, etc.

El cumplimiento de las normas de seguridad correspondientes y el uso de dispositivos de seguridad no evitan ciertos riesgos residuales. Dichos riesgos incluyen:

- ◆ Lesiones producidas por el contacto con piezas móviles.
- ◆ Lesiones producidas por el contacto con piezas calientes.
- ◆ Lesiones producidas al cambiar cualquier pieza o accesorio.
- ◆ Lesiones producidas al usar el aparato por un tiempo demasiado prolongado. Si utiliza un aparato durante períodos de tiempo demasiado prolongados, asegúrese de realizar pausas con frecuencia.

Seguridad eléctrica



¡Advertencia! ¡Advertencia!

Este producto debe conectarse a una toma de tierra. Compruebe siempre que el voltaje suministrado corresponda al indicado en la placa de características.

El enchufe de la herramienta eléctrica debe corresponder a la toma de corriente utilizada. No modifique nunca el enchufe de ninguna forma. Los enchufes no modificados y las tomas de corriente compatibles reducen el riesgo de descarga eléctrica

- ◆ Si se daña el cable de alimentación, deberá sustituirlo el fabricante o un centro del servicio técnico autorizado de BLACK+DECKER, para evitar riesgos.

Cables de extensión y producto de clase 1

- ◆ Debe usarse un cable de 3 núcleos pues el aparato tiene descarga a tierra y es de clase de fabricación 1.

- Utilice siempre un cable de prolongación autorizado que sea adecuado para la entrada de corriente del aparato (consulte los datos técnicos). Se puede utilizar un cable de prolongación 1,50 mm² y de hasta 30 m sin pérdida de rendimiento del producto. Antes de utilizar el cable de prolongación, compruebe que no esté dañado, gastado o deteriorado. Si está dañado o defectuoso, sustitúyalo. Si utiliza un carrete de cable, desenrolle siempre el cable completamente.

4. Tapón de llenado
5. Limpiador a vapor de mano
6. Empuñadura
7. Gancho superior para recogida del cable
8. Empuñadura principal
9. Gancho inferior para recogida del cable
10. Botón de extracción del limpiador de vapor a mano
11. Cuerpo principal
12. Cabeza para limpieza de suelos
- 12a. Cabeza limpiadora extraíble de sección triangular para suelos
- 12b. Cabeza triangular
- 12c. Pestaña de extracción de la cabeza de vapor
- 12d. Deslizador de alfombras (para usar en alfombras)
13. Almohadilla para limpieza de suelos
14. Pestaña de extracción de la almohadilla para limpieza de suelos
15. Soporte para colgar
16. Manguera de vapor
17. Boquilla de vapor
18. Cepillo angular (para usar en manchas difíciles de remover)
- 18a. Cepillo angular (cepillo metálico)
19. Cepillo (para usar en baldosas / cemento)
20. Escurridor (para usar en mamparas de ducha / cristales / espejos / ropa / tapicería)
- 20a. Almohadilla limpiadora para la escobilla de goma
21. Escurridor grande (para usar en mamparas de ducha / cristales / espejos / ropa / tapicería)
- 21a. Almohadilla limpiadora para la escobilla de goma grande
22. Cepillo de chorro de vapor
- 22a. Cepillo metálico de chorro de vapor (para usar en parrillas / hornos)
- 22b. Cepillo de chorro de vapor (para usar en parrillas / hornos / quemadores de hornos / grifos / lechadas de cemento)
- 22c. Cepillo de chorro de vapor ancho (para usar en superficies de trabajo más grandes)
23. Almohadilla limpiadora de la cabeza triangular
24. SteaMitt™
25. Manguera del SteaMitt™
26. Almohadilla limpiadora del SteaMitt™
27. Almohadilla limpiadora 2 del SteaMitt™
28. Almohadilla de limpieza ultra absorbente para suelos
29. Cepillo grande con raspador incorporado

Etiquetas del aparato

Los siguientes pictogramas están colocados junto al código en el aparato.



¡PRECAUCIÓN! Vapor caliente



Chorreado de agua cuando se usa dado vuelta



El vapor sale por todas partes



No dejar sin vigilancia con niños pequeños



Solo lavado de manos



¡PRECAUCIÓN! Superficie caliente

Características

Este aparato incluye una o más de las siguientes características.

1. Interruptor de encendido/apagado
2. Mando Autoselect™
3. Empuñadura del limpiador de vapor a mano

Ajuste

	F S M H 1 3 2 1	B H S M 1 6 8 D	B H S M 1 6 8 U	B H S M 1 6 6 D S M	B H S M 1 6 8 D S M	B H S M 1 6 9 D S M	B H S M 1 6 1 0 D S M	B H S M 1 6 1 5 D S M	B H S M 1 6 1 5 D S G	B H S M 1 6 1 5 D A M	S E T T I N G S
12	✓										Todo
12a		✓	✓	✓	✓	✓	✓	✓	✓	✓	Todo
12d		✓	✓	✓	✓	✓	✓	✓	✓	✓	Todo
13	✓	✓	✓	✓	✓	✓	✓	✓	✓	✓	Todo
16	✓	✓	✓	✓	✓	✓	✓	✓	✓	✓	Todo
18	✓	✓	✓	✓		✓	✓	✓	✓		-
18a								✓			...
19	✓	✓	✓	✓		✓	✓	✓	✓		...
20	✓			✓	✓		✓				-
20a	✓			✓	✓		✓				-
21		✓	✓			✓		✓	✓	✓	-
21a						✓		✓	✓	✓	-
22					✓		✓			✓	Todo
22a					✓		✓			✓	Todo
22b					✓		✓			✓	Todo
22c					✓		✓			✓	Todo
23		✓	✓	✓	✓	✓	✓	✓	✓	✓	Todo
24				✓	✓	✓	✓	✓	✓	✓	Todo
25				✓	✓	✓	✓	✓	✓	✓	Todo
26				✓	✓	✓	✓	✓	✓	✓	Todo
27								✓	✓	✓	Todo
28								✓	✓	✓	Todo
29								✓	✓		Todo

Montaje



¡Advertencia! Antes de llevar a cabo cualquiera de las siguientes instrucciones, asegúrese de que el aparato está apagado, desenchufado y frío, y de que no contenga agua.

Instalación del mango (Fig. A)

- ◆ Deslice el extremo inferior del mango (8) hacia el extremo superior del cuerpo de la mopa de vapor (11) hasta que encaje en su sitio.

Colocación del limpiador a vapor de mano (Fig. B)

- ◆ Sujetando el cuerpo de la mopa de vapor (11) por la parte posterior, empuje el limpiador a vapor de mano (5) firmemente hacia el cuerpo de la mopa de vapor (11) asegurándose de que se inserte correctamente en el acoplamiento (11a) hasta que encaje en su sitio.

Desmontaje del limpiador a vapor de mano (Fig. B)

- ◆ Pulse el botón de extracción (10) del cuerpo principal (11) y saque el limpiador a vapor de mano (5) del acoplamiento (11a) del cuerpo principal (11).

Instalación de la almohadilla limpiadora (Fig. C)

Las almohadillas limpiadoras de repuesto están disponibles en el distribuidor de BLACK+DECKER más cercano (cat. n.º FSMP20-XJ).

- ◆ Coloque una almohadilla limpiadora (13) en el suelo con la cara del bucle del velcro hacia arriba.
- ◆ Empuje suavemente la mopa de vapor hacia abajo sobre la almohadilla limpiadora (13).

Nota: Esta unidad puede suministrarse con una cabeza estándar para limpieza de suelos (12) o con una cabeza para limpieza con chorro de vapor (12a). En ambos casos, siga estas instrucciones para colocar una almohadilla limpiadora. **¡Precaución!** Durante un imprevisto, no deje nunca la mopa de vapor en el mismo sitio sobre ningún tipo de superficie, aunque sea por poco tiempo. Coloque siempre la mopa de vapor con el mango (8) en posición vertical cuando esté parada y asegúrese de que esté apagada cuando no la use.

Extracción de la almohadilla limpiadora

¡Precaución! Utilice siempre un calzado adecuado cuando cambie la almohadilla limpiadora de la mopa de vapor. No utilice zapatillas o calzado abierto.

- ◆ Vuelva a colocar el mango (8) en posición vertical y apague la mopa de vapor con el interruptor en "OFF".
- ◆ Espere a que la mopa de vapor se enfríe (aproximadamente 5 minutos).
- ◆ Levante la mopa de la almohadilla limpiadora liberándola de la sujeción de velcro.

¡Precaución! Durante un imprevisto, no deje nunca la mopa de vapor en el mismo sitio sobre ningún tipo de superficie, aunque sea por poco tiempo.

Coloque siempre la mopa de vapor con el mango (8) en posición vertical cuando esté parada y asegúrese de que esté apagada cuando no la use.

Llenado del depósito de agua (Fig. O)

Nota: Llene el depósito con agua limpia del grifo (no use productos químicos ni aditivos).

Nota: En zonas con agua dura, se recomienda el uso de agua desionizada.

- ◆ Gire el tapón de llenado (4) hacia arriba para abrirlo.
- ◆ Llene el depósito de agua (no use aditivos ni productos químicos).

¡Advertencia! Para el llenado, separe la unidad principal y manténgala en posición horizontal.

¡Advertencia! La capacidad del depósito de agua es de 0,5 litros. No llene en exceso el depósito.

- ◆ Cierre el tapón de llenado (4).

Nota: Asegúrese de que el tapón de llenado esté bien colocado.

Instalación del deslizador para alfombras (12d) (Solo para el uso en alfombras)

- ◆ Coloque el deslizador para alfombras (12d) en el suelo.
- ◆ Coloque una almohadilla limpiadora en la cabeza para limpieza de suelos (12, 12a)
- ◆ Empuje suavemente la mopa de vapor hacia abajo sobre el deslizador para alfombras (12d) hasta que encaje en su lugar.

¡Precaución! Durante un imprevisto, no deje nunca la mopa de vapor en el mismo sitio sobre ningún tipo de superficie, aunque sea por poco tiempo. Coloque siempre la mopa de vapor con el mango (8) en posición vertical cuando esté parada y asegúrese de que esté apagada cuando no la use.

Extracción del deslizador para alfombras

¡Precaución! Utilice siempre un calzado adecuado cuando cambie el deslizador para alfombras de la mopa de vapor. No utilice zapatillas o calzado abierto.

- ◆ Vuelva a colocar el mango (8) en posición vertical y apague la mopa de vapor con el interruptor en "OFF".
- ◆ Espere a que la mopa de vapor se enfríe (aproximadamente 5 minutos).
- ◆ Coloque la punta del zapato en la lengüeta de extracción del deslizador para alfombras y presione hacia abajo con firmeza.
- ◆ Extraiga la mopa de vapor del deslizador para alfombras.

¡Precaución! Durante un imprevisto, no deje nunca la mopa de vapor en el mismo sitio sobre ningún tipo de superficie, aunque sea por poco tiempo. Coloque siempre la mopa de vapor con el mango (8) en posición vertical cuando esté parada y asegúrese de que esté apagada cuando no la use.

La cabeza triangular (Fig. D)

Esta mopa de vapor tiene una cabeza triangular incorporada que le permite acceder a esquinas difíciles y a espacios estrechos. **¡Precaución!** Utilice siempre un calzado adecuado cuando acceda a la cabeza triangular de la mopa de vapor. No utilice zapatillas o calzado abierto.

- ◆ Gire la mopa de vapor a 'OFF'
- ◆ Espere a que la mopa de vapor se enfríe (aproximadamente cinco minutos).
- ◆ Coloque la punta del zapato en la lengüeta de extracción de la cabeza de vapor (12c) y presione hacia abajo suavemente.
- ◆ Extraiga la cabeza triangular (12b) de la cabeza de vapor (12a).
- ◆ Coloque la almohadilla limpiadora de la cabeza triangular en la parte inferior de la cabeza triangular.

Nota: Saque la almohadilla limpiadora antes de volver a colocar la cabeza triangular en la cabeza de vapor.

- ◆ Para volver a colocar la cabeza triangular, coloque la punta de esta en la cabeza de vapor y apriétela hacia abajo firmemente asegurándose de que la cabeza triangular encaje en su sitio.

Colocación de la manguera y los accesorios en el limpiador a vapor de mano (Fig. G - M)

¡Advertencia! Inspeccione la junta entre el punto de conexión del limpiador a vapor de mano (5) y la manguera de vapor (16) antes de cada uso. Si la junta no ajusta bien o está dañada, póngase en contacto con su agente de servicio técnico autorizado más cercano. No utilice el aparato.

Colocación de la manguera

- ◆ Pulse el botón de extracción de la manguera de vapor (16a) de la manguera de vapor (16).
- ◆ Conecte la manguera de vapor (16) al limpiador de vapor a mano (5) y suelte el botón de extracción de la manguera de vapor (16a) asegurándose de que haga clic al encajar en su lugar.

Importante: Asegúrese de que la manguera (16) esté correctamente fijada al limpiador de vapor a mano (5). Si sale vapor de la junta, la junta está mal colocada. Apague la unidad y espere a que se enfríe antes de extraer y volver a colocar la manguera.

Colocación de accesorios (Fig. H)

- ◆ Alinee las aletas de la boquilla de vapor (17) con las hendiduras del accesorio.
- ◆ Presione el accesorio en la boquilla de vapor (17) y gírelo en sentido antihorario hasta que encaje en su lugar.

Importante: Todos los accesorios, salvo el SteaMitt™ (24) que tiene su propia manguera y conector (25), deben estar conectados a la manguera de vapor (16) para usarlos.

Extracción de la manguera y los accesorios

¡Advertencia! La manguera de vapor (16), la boquilla de vapor (17) y los accesorios se calientan durante el uso. Espere a que la unidad y todos los accesorios se enfríen antes de extraerlos.

Extracción de accesorios

- ◆ Gire el accesorio en sentido antihorario y extráigalo de la manguera (16).

Extracción de la manguera

- ◆ Pulse el botón de extracción de la manguera de vapor (16a) de la manguera de vapor (16) y sáquela de la limpiadora de vapor a mano.

SteaMitt™

El SteaMitt™ de BLACK+DECKER™ ha sido diseñado para la desinfección y limpieza de baldosas, superficies de trabajo, encimeras y superficies de baños. Este aparato ha sido concebido únicamente para uso doméstico en interiores.

Colocación de la manguera del SteaMitt™ al limpiador a vapor de mano

¡Advertencia! Inspeccione la junta de la boquilla de vapor y la manguera antes de cada uso. Si falta la junta o está dañada, póngase en contacto con su agente de servicio técnico más cercano.

No utilice el aparato. Inspeccione la junta del SteaMitt™ y la manguera. Si la junta falta, está dañada o sale vapor, contacte con su agente de reparaciones autorizado más próximo. **No utilice el aparato.** Compruebe que la manguera del SteaMitt™ o la manguera del accesorio no estén bloqueadas ni tengan ninguna obstrucción. Si detecta un bloqueo u obstrucción, póngase en contacto con su agente de reparaciones autorizado más próximo. **No utilice el aparato.**

Colocación de la almohadilla limpiadora al SteaMitt™ (Fig. J)

¡Advertencia! Compruebe que los orificios de salida de vapor no estén bloqueados ni tengan obstrucciones. En caso de haya bloqueos u obstrucciones, póngase en contacto con el agente de reparaciones autorizado más próximo. **No utilice el aparato.**

- ◆ Coloque la almohadilla limpiadora (26) al SteaMitt™ (24) uniendo las cintas de velcro con las fibras en bucle (26a) de la parte superior de la almohadilla limpiadora a las almohadillas con el velcro con ganchos (24a) de la parte inferior del SteaMitt™ (24). Apriete bien hacia abajo.

¡Advertencia! El SteaMitt™ no debe usarse sin colocar una almohadilla limpiadora.

Nota: Con el SteaMitt™ pueden usarse 4 tipos de almohadillas limpiadoras de diferentes espesores. Almohadilla de estropajo (para uso en manchas difíciles y superficies no delicadas), almohadilla de baño (para uso en grifos y otras superficies de baño moldeadas), almohadilla estándar (para uso en las superficies más grandes) y almohadilla de pulido (para uso en superficies delicadas).

⚠ **¡Advertencia!** Use siempre el SteaMitt™ como se muestra en la figura M, con la mano dentro del guante protector.

⚠ **¡Advertencia!** Nunca intente usar el SteaMitt™ aferrándolo externamente como se muestra en la figura N pues puede quemarse.

⚠ **¡Advertencia!** Evite usar el SteaMitt™ en ángulos estrechos como se muestra en la figura O.

⚠ **¡Advertencia!** Si se produce algún problema durante el uso, use la lengüeta de extracción rápida para sacarse velozmente el SteaMitt™ de la mano como se muestra en la figura P.

⚠ **¡Advertencia!** No use el SteaMitt™ sobre cristales fríos tales como el de las ventanas pues pueden producirse daños por el cambio brusco de temperatura.

⚠ **¡Advertencia!** Nunca apunte o dirija el guante hacia usted mismo ni hacia otra persona.

Nota: El botón de vapor variable está desconectado cuando el SteaMitt™ está colocado, por lo tanto el flujo de vapor es limitado.

Uso

Importante: Esta unidad elimina el 99.9 % de las bacterias y los gérmenes si se utiliza de acuerdo con este manual, con las almohadillas de microfibra puestas y durante un lapso continuado de 90 segundos.

Encendido y apagado

- ◆ Para encender el aparato, pulse el botón de encendido y apagado (1). La mopa de vapor tarda aproximadamente 20 segundos en calentarse.
- ◆ Para apagar el aparato, pulse el botón de encendido y apagado (1).

Nota: tenga siempre la mano dentro del SteaMitt™ antes de pulsar el botón de vapor.

¡Precaución! Durante un imprevisto, no deje nunca la mopa de vapor en el mismo sitio sobre ningún tipo de superficie, aunque sea por poco tiempo.

Coloque siempre la mopa de vapor con el mango (8) en posición vertical cuando esté parada y asegúrese de que esté apagada cuando no la use.

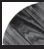


¡Precaución! Vacíe siempre la mopa de vapor después de utilizarla.

Nota: Puede que tarde hasta 45 segundos en producir vapor al llenarla por primera vez o después de utilizarla en seco.

Tecnología Autoselect™ (Fig. P)

Esta mopa de vapor cuenta con el mando Autoselect™ (2) que presenta varias aplicaciones de limpieza. Se utilizan para seleccionar el modo de funcionamiento correcto para cada trabajo de limpieza en particular.

Mediante Autoselect™, seleccione una de las siguientes aplicaciones girando el mando Autoselect™ (2) para seleccionar el ajuste que desee:

Ajuste	Mopa	Limpiador a mano
	Madera/Laminado	Flujo de vapor bajo ●
	Baldosas/Vinilo	Flujo de vapor medio ● ●
	Piedra/Mármol	Flujo de vapor alto ● ● ●

La mopa de vapor seleccionará el volumen correcto de vapor que requiere esta operación de limpieza en particular.

Nota: Compruebe siempre que esté utilizando el ajuste correcto antes de utilizar la mopa de vapor.

Consejos para un uso óptimo

Información general

Precaución: No utilice nunca la mopa de vapor sin colocar antes una almohadilla limpiadora.

- ◆ Antes de utilizar la mopa de vapor, aspire o barra siempre el suelo.
- ◆ La manera más fácil de utilizar el aparato consiste en inclinar el mango hasta un ángulo de 45° y limpiar lentamente, cubriendo una pequeña zona por vez.
- ◆ Use agua solamente, sin ningún producto químico ni aditivos con su mopa de vapor. Para eliminar las manchas resistentes de los suelos de vinilo o linóleo, puede tratarlas con un detergente suave y un poco de agua antes de utilizar la mopa de vapor.

Limpieza a vapor con la mopa

- ◆ Coloque el limpiador a vapor de mano (5) en el cuerpo de la mopa de vapor (11).
- ◆ Coloque una almohadilla limpiadora (13) en el suelo con la cinta de velcro con fibras en bucle hacia arriba.
- ◆ Empuje suavemente la mopa de vapor hacia abajo sobre la almohadilla limpiadora (13).
- ◆ Conecte la mopa de vapor a la corriente.
- ◆ Pulse el botón de encendido y apagado (1). La mopa de vapor tarda aproximadamente 15 segundos en calentarse.
- ◆ Gire el mando Autoselect™ (2) hasta el ajuste que desee. Al cabo de pocos segundos comenzará a salir vapor de la cabeza de vapor.

Nota: Puede que tarde hasta 45 segundos en producir vapor al llenarla por primera vez o después de utilizarla en seco.

- ◆ Transcurren unos segundos hasta que el vapor llega a la almohadilla limpiadora. A continuación, la mopa de vapor podrá deslizarse con facilidad sobre la superficie que desee desinfectar o limpiar.
- ◆ Empuje y arrastre lentamente la mopa de vapor hacia delante y hacia atrás por la superficie para limpiar a fondo cada sección.

- ◆ Cuando haya terminado de usar la mopa, vuelva a poner el mango (8) en posición vertical y compruebe que la mopa esté apoyada y apagada. Espere a que la mopa de vapor se enfríe (aproximadamente cinco minutos).

¡Precaución! Es importante que controle el nivel del depósito de agua. Para llenar el depósito de agua y continuar con la desinfección o limpieza coloque la mopa en posición vertical, compruebe que el mango quede apoyado y apague la mopa. Desenchufe la unidad de la toma eléctrica de la pared y llene el depósito de agua.

¡Precaución! Durante un imprevisto, no deje nunca la mopa de vapor en el mismo sitio sobre ningún tipo de superficie, aunque sea por poco tiempo.

Coloque siempre la mopa de vapor con el mango (8) en posición vertical cuando esté parada y asegúrese de que esté apagada cuando no la use.

Renovación del aspecto de las alfombras

- ◆ Coloque una almohadilla limpiadora (13) en el suelo con la cinta de velcro con fibras en bucle hacia arriba.
- ◆ Empuje suavemente la mopa de vapor hacia abajo sobre la almohadilla limpiadora.
- ◆ Coloque el deslizador para alfombras (12d) en el suelo.
- ◆ Empuje suavemente la mopa de vapor hacia abajo sobre el deslizador para alfombras hasta que encaje en su lugar.
- ◆ Conecte la mopa de vapor a la corriente.
- ◆ Pulse el botón de encendido y apagado (1). La mopa de vapor tarda aproximadamente 15 segundos en calentarse.
- ◆ Gire el mando Autoselect™ (2) hasta la configuración de Madera/Laminado.
- ◆ Arrastre lentamente la mopa de vapor hacia delante y hacia atrás por la alfombra para refrescar a fondo cada sección.
- ◆ Cuando haya terminado de usar la mopa, vuelva a poner el mango (8) en posición vertical y compruebe que esté apoyada y apagada. Espere a que la mopa de vapor se enfríe (aproximadamente cinco minutos).

Después de la utilización

- ◆ Gire el mando Autoselect™ (2) hasta la posición de apagado.
- ◆ Espere a que la mopa de vapor se enfríe.
- ◆ Desenchufe la mopa de vapor de la toma de corriente de pared.
- ◆ Vacíe el depósito de agua.
- ◆ Extraiga la almohadilla limpiadora (13) y lávela para tenerla lista para el próximo uso (tenga cuidado de seguir las instrucciones de lavado impresas en la almohadilla limpiadora).
- ◆ Enrolle el cable de alimentación alrededor de los ganchos de recogida del cable (7 y 9).

- ◆ La mopa de vapor tiene también un soporte para colgar (15) incorporado en la empuñadura (6) que permite colgarla en la pared usando un gancho adecuado. Asegúrese siempre de que el gancho de la pared puede aguantar sin peligro el peso de la mopa de vapor.
- ◆ El mango también está dotado de un tapón de goma que permite apoyar la mopa de vapor en modo seguro contra una superficie vertical.

Limpiador a vapor de mano

¡**Advertencia!** La unidad no generará vapor hasta que esté conectada al cuerpo principal (11) o hasta que esté conectada la manguera de vapor (16).

¡**Advertencia!** Use solo en posición horizontal.

- ◆ Coloque el accesorio que necesite.
- ◆ Conecte el limpiador a vapor de mano a la corriente.
- ◆ Pulse el botón de encendido y apagado (1). La mopa de vapor tarda aproximadamente 15 segundos en calentarse.
- ◆ Gire el mando Autoselect™ (2) hasta el ajuste que desee. Al cabo de pocos segundos comenzará a salir vapor de la cabeza de vapor.

Nota: Puede que tarde hasta 45 segundos en producir vapor al llenarla por primera vez o después de utilizarla en seco.

- ◆ Cuando termine de usar el limpiador a vapor de mano, gire el mando Autoselect™ (2) hacia la posición de apagado. Apague la unidad pulsando el botón de encendido/apagado (1) y desenchúfela de la corriente. Espere a que la unidad se enfríe antes de guardarla (aproximadamente cinco minutos).

Accesorios

El rendimiento del aparato depende de los accesorios que utilice. Los accesorios de BLACK+DECKER han sido fabricados siguiendo estándares de alta calidad y han sido diseñados para mejorar el funcionamiento del aparato. Con estos accesorios, sacará el máximo provecho a su equipo.

Datos técnicos

	Tensión	Alimentación	Capacidad del depósito	Tiempo de calentamiento	Longitud del cable	Peso
	V _{ca}	W	ml	s	m	kg
F5MH1321	230	1600	500	≈20	6	2.7
BHSM168D	230	1600	500	≈20	6	2.8
BHSM168U	230	1600	500	≈20	6	2.8
BHSM168DSM	230	1600	500	≈20	6	2.8
BHSM1615DSM	230	1600	500	≈20	7	2.9
BHSM1615DAM	230	1600	500	≈20	7	2.9
BHSM1615DSG	230	1600	500	≈20	8	2.9
BHSM168DSM	230	1600	500	≈20	8	2.9
BHSM169DSM	230	1600	500	≈20	8	2.9
BHSM1619DSM	230	1600	500	≈20	8	2.9

Resolución de problemas

Si nota que el aparato no funciona bien, siga las instrucciones que se indican a continuación. Si no se resuelve el problema, póngase en contacto con un técnico autorizado de BLACK+DECKER.

Problema	Paso	Posible solución
La mopa no se apaga	1.	Compruebe que el aparato esté enchufado en una toma de corriente de pared.
	2.	Compruebe que el aparato esté encendido usando el interruptor de apagado y encendido (1)
	3.	Compruebe el fusible del enchufe.
La mopa no genera vapor	4.	La mopa de vapor producirá calor solo si el limpiador a vapor de mano (5) está correctamente acoplado en el cuerpo principal (11), la manguera de vapor está colocada y el Autoselect™ está encendido.
	5.	Compruebe que el depósito de agua esté lleno. Nota: Puede que tarde hasta 45 segundos en producir vapor al llenarla por primera vez o después de utilizarla en seco.
	6.	Compruebe los pasos 1, 2 y 3.
La mopa deja de producir vapor durante el uso	7.	Compruebe los pasos 4, 5 y 3.
La mopa de vapor produce demasiado vapor durante el uso	8.	Gire el mando Autoselect™ (2) en sentido antihorario para reducir la cantidad de vapor producido
La mopa produce demasiado poco vapor durante el uso	9.	Gire el mando Autoselect™ (2) en sentido horario para aumentar la cantidad de vapor producido
El limpiador a vapor de mano no produce vapor	10.	Compruebe que el mando Autoselect™ (2) esté en la posición de encendido.
	11.	Compruebe los pasos 5, 1, 2 y 3.
El limpiador a vapor de mano produce demasiado poco vapor durante el uso	12.	Gire el mando Autoselect™ (2) en sentido horario para aumentar la cantidad de vapor producido
	13.	Compruebe el paso 5
El limpiador a vapor de mano produce demasiado vapor durante el uso	14.	Gire el mando Autoselect™ (2) en sentido antihorario para reducir la cantidad de vapor producido
Los accesorios se desprenden de la unidad	15.	Consulte el capítulo del manual sobre montaje para ver las instrucciones para colocar correctamente las piezas y los accesorios.
El vapor sale por partes no previstas de la unidad	16.	Consulte el capítulo del manual sobre montaje para ver las instrucciones para colocar correctamente las piezas y los accesorios.
¿Dónde puedo obtener más información/ accesorios?	17.	www.blackanddecker.co.uk/steammp www.blackanddecker.ie/steammp

Mantenimiento y limpieza

Este aparato con cable de BLACK+ DECKER ha sido diseñado para funcionar durante un largo período de tiempo con un mantenimiento mínimo. El funcionamiento satisfactorio continuo depende del buen cuidado del aparato y de una limpieza frecuente.

¡**Advertencia!** Antes de realizar el mantenimiento o limpieza de los aparatos con cable, es necesario apagarlos y desenchufarlos.

- ◆ Limpie el aparato con un paño suave y húmedo.
- ◆ En caso de manchas resistentes, puede humedecer el paño en una solución suave de jabón y agua.

Cuidado de las almohadillas limpiadoras

Instrucciones para el lavado - Las almohadillas pueden lavarse a 60 °C. No use suavizante para ropa. Déjela secar totalmente antes de volver a utilizarla.

¡Precaución! Siga las instrucciones de cuidado y de limpieza impresas en la etiqueta de la almohadilla limpiadora.

Sustitución del enchufe de red (solo para Reino Unido e Irlanda)

Si debe colocar un nuevo enchufe de red:

- ◆ Desconecte el enchufe viejo según las normas de seguridad.
- ◆ Conecte el cable marrón al terminal conductor en el nuevo enchufe.
- ◆ Conecte el cable azul al terminal neutro.
- ◆ Conecte el cable verde/amarillo a una conexión a tierra.

¡Advertencia! Siga las instrucciones de colocación suministradas con los enchufes de buena calidad. Fusible recomendado: 13A.

Protección del medioambiente



Recogida selectiva. Los productos y las baterías marcadas con este símbolo no se deben desechar junto con los residuos domésticos normales

Los productos y las baterías que contienen materiales que se puedan recuperar o reciclar reducen la demanda de materias primas. Recicle los productos eléctricos y las baterías de conformidad con la normativa local.

Puede obtener más información en www.2helpU.com

Garantía

Black & Decker confía en la calidad de sus productos y ofrece a los consumidores una garantía de 24 meses a partir de la fecha de compra. Esta garantía es adicional a sus derechos legales y no los menoscaba en modo alguno. La garantía es válida dentro de los territorios de los Estados Miembros de la Unión Europea y del Área de Libre Comercio Europea.

Para reclamar la garantía, la reclamación se debe presentar de conformidad con las condiciones de Black & Decker. Tendrá que adjuntar un justificante de compra al vendedor o al agente técnico autorizado. Las condiciones de la garantía de 2 años de Black & Decker y la ubicación de su agente técnico autorizado más cercano se pueden obtener en Internet en www.2helpU.com o poniéndose en contacto con su oficina local de Black & Decker en la dirección que se indica en este manual.

Visite nuestro sitio web www.blackanddecker.co.uk para registrar su nuevo producto Black & Decker y recibir noticias sobre nuevos productos y ofertas especiales.

Utilização pretendida

A máquina de limpeza a vapor BLACK+DECKER™ FSMH1321, BHSM166DSM, BHSM168D, BHSM168DSM, BHSM168U, BHSM169DSM, BHSM1610DSM, BHSM1615DSM, BHSM1615DSG, BHSM1615DAM foi concebida para desinfetar e limpar chãos de madeira de folhosas selada, laminados selados, linóleo, vinil, revestimento cerâmico, pedra e mármore. Este equipamento destina-se apenas a utilização doméstica em interiores.

Instruções de segurança



Atenção! Leia todos os avisos de segurança e todas as instruções. O não cumprimento dos seguintes avisos e instruções pode resultar em choque eléctrico, incêndio e/ou ferimentos graves.



Atenção! Ao utilizar equipamentos eléctricos, deve sempre cumprir as medidas de segurança básicas, incluindo as que se seguem, de modo a reduzir os riscos de incêndio, choque eléctrico, ferimentos e danos materiais.

- ◆ A utilização prevista está descrita neste manual.
- ◆ A utilização de qualquer acessório ou a execução de qualquer operação com este equipamento que não esteja incluída no presente manual de instruções pode representar um risco de ferimentos.
- ◆ Guarde este manual para referência futura.

Utilizar o equipamento

- ◆ Não aponte o vapor directamente para pessoas, animais, electrodomésticos ou tomadas eléctricas.

- ◆ Não exponha o equipamento à chuva.
- ◆ Não mergulhe o equipamento dentro de água.
- ◆ Não deixe o equipamento sem vigilância.
- ◆ Não deixe o equipamento ligado a uma tomada eléctrica quando não estiver a utilizá-lo.
- ◆ Nunca puxe pelo cabo de alimentação para desligar o equipamento da tomada.

Mantenha o equipamento afastado do calor, óleo e arestas afiadas.

- ◆ Não segure na máquina de limpeza a vapor com as mãos molhadas.
- ◆ Não puxe ou transporte o equipamento pelo cabo, não o utilize como pega, não o entale nas portas, não o puxe em torno de arestas agudas nem exponha o cabo a superfícies aquecidas.
- ◆ Não utilize o equipamento num espaço fechado e cheio de vapor emitido por diluente à base de óleo, algumas substâncias anti-traças, poeiras inflamáveis ou outros vapores explosivos ou tóxicos.
- ◆ Verifique o tipo de piso junto do fabricante.
- ◆ Não utilize em peles, mobiliário ou pisos encerados, tecidos sintéticos, veludo ou outros materiais delicados e sensíveis ao vapor.



Atenção! Não utilize em chãos de madeira ou laminado não selados.

Em superfícies que tenham sido tratadas com cera ou em alguns chãos não encerados, o brilho poderá ser removido por acção do calor e do vapor. Antes de iniciar a limpeza, é sempre recomendável efectuar um teste numa área isolada da superfície a limpar. Também recomendamos que consulte as instruções de utilização e manutenção do fabricante do chão.

- ◆ Nunca utilize produtos de desincrustação, aromáticos, à base de álcool ou detergentes na máquina de limpeza a vapor, porque podem danificá-la ou tornar a sua utilização perigosa.
- ◆ Se o disjuntor doméstico disparar durante a utilização da função de vapor, pare de utilizar o equipamento de imediato e contacte o centro de apoio ao cliente. (Atenção ao risco de choque eléctrico.)
- ◆ O equipamento emite vapor muito quente para desinfectar a área em que é utilizada. Isso significa que a cabeça de vapor, panos de limpeza e acessório para alcatifas aquecem muito durante a utilização.

Cuidado! Calce sempre sapatos adequados quando utilizar a máquina de limpeza a vapor ou substituir os acessórios da mesma. Não calce chinelos ou sandálias.

- ◆ A tampa pode aquecer durante a utilização.
- ◆ Pode haver libertação de vapor durante a utilização do equipamento.

Deve ter cuidado quando utilizar o equipamento. NÃO toque em nenhuma peça que possa aquecer durante a utilização.

- ◆ Desligue o equipamento e volte a colocar a pega na posição vertical antes de remover o reservatório de água.
- ◆ Se verificar que há libertação de vapor do corpo da máquina de limpeza a vapor manual, desligue-a, retire a ficha da unidade da alimentação principal e deixe-a arrefecer. Contacte o técnico de reparação autorizado mais próximo. Não continue a utilizar o equipamento.

Após a utilização

- ◆ Retire a ficha da máquina e deixe-a arrefecer antes de limpá-la.
- ◆ Quando não estiver a ser utilizado, o equipamento deve ser guardado num local seco.
- ◆ As crianças não devem ter acesso a equipamentos armazenados.

Inspeção e reparações

- ◆ Antes de proceder a qualquer manutenção ou reparação, retire a ficha do equipamento da tomada e deixe-a arrefecer.
- ◆ Antes da utilização verifique se há peças danificadas ou avariadas no equipamento. Verifique se há peças partidas, danos nos interruptores ou outro tipo de situações que possam afectar o funcionamento.
- ◆ Verifique com frequência se o cabo de alimentação apresenta danos.

- ◆ Não utilize este equipamento se alguma das peças estiver danificada ou avariada.
- ◆ Mande reparar ou substituir quaisquer peças danificadas ou avariadas por um técnico de reparação autorizado.
- ◆ Nunca retire ou substitua quaisquer peças que não sejam as especificadas neste manual.

Segurança de terceiros

- ◆ Este equipamento pode ser utilizado por pessoas que apresentem capacidades físicas, sensoriais ou mentais reduzidas ou que não possuam os conhecimentos e a experiência necessários, se forem vigiadas e instruídas acerca da utilização do equipamento em segurança e compreenderem os perigos envolvidos. As crianças não devem mexer no equipamento.
- ◆ As crianças devem ser vigiadas para garantir que não mexem no equipamento.
- ◆ Antes de proceder à limpeza ou manutenção do equipamento, deve retirar a ficha da tomada eléctrica.
- ◆ O líquido ou o vapor não devem ser direccionados para equipamento que contenha componentes eléctricos, como, por exemplo, o interior de fornos.
- ◆ O equipamento não deve permanecer sem assistência quando estiver ligado à alimentação.

- ◆ O equipamento não deve ser utilizado se tiver sofrido uma queda, se houver sinais visíveis de danos ou se tiver fugas.
- ◆ Mantenha o equipamento afastado do alcance das crianças quando estiver a carregar ou a arrefecer.
- ◆ Nunca aponte ou direcione a máquina de limpeza a vapor na sua direcção ou de outra pessoa.
- ◆ Deve-se tomar cuidado ao usar o aparelho devido à emissão de vapor.
- ◆ Desligue o aparelho durante o enchimento e a limpeza.
- ◆ O vaporizador de tecido não deve ser deixado sem vigilância enquanto estiver conectado à rede elétrica.
- ◆ O vaporizador de tecido não deve ser usado se tiver caído, se houver sinais visíveis de danos ou se houver vazamento.
- ◆ Mantenha o vapor do tecido e o fio fora do alcance de crianças com menos de 8 anos de idade quando estiver energizado ou esfriando

Riscos residuais

Podem surgir riscos residuais adicionais durante a utilização da ferramenta, que podem não constar nos avisos de segurança incluídos. Estes riscos podem resultar de má utilização, uso prolongado, etc.

Mesmo com o cumprimento dos regulamentos de segurança relevantes e a implementação de dispositivos de segurança, alguns riscos residuais podem não ser evitados.

Estes incluem:

- ◆ Ferimentos causados pelo contacto com peças em movimento.
- ◆ Ferimentos causados pelo contacto com peças quentes.
- ◆ Ferimentos causados durante a substituição de peças ou acessórios.
- ◆ Ferimentos causados pela utilização prolongada do equipamento. Quando utilizar um equipamento durante um período prolongado, faça pausas regulares.

Segurança eléctrica



Atenção! Atenção! Este produto deve ter ligação à terra. Verifique sempre se a tensão da tomada de electricidade corresponde à tensão indicada na placa com os requisitos de alimentação da ferramenta.

As fichas eléctricas devem encaixar na tomada. Nunca modifique a ficha de forma alguma. As fichas não modificadas e as tomadas compatíveis reduzem o risco de choque eléctrico

- ◆ Se o cabo de alimentação estiver danificado, deve ser substituído pelo fabricante ou por um centro de assistência autorizado da BLACK+DECKER, para evitar situações de perigo.

Extensões e produto de classe 1

- ◆ Deve ser utilizado um cabo de 3 condutores, dado que o seu equipamento tem ligação à terra e pertence à classe 1.

- ◆ Utilize sempre uma extensão aprovada e adequada para a potência deste equipamento (consulte os dados técnicos). Pode utilizar uma extensão de 1,50 mm² até 30 m sem perda do desempenho do produto. Antes da utilização, verifique se a extensão apresenta sinais de envelhecimento, danos ou desgaste. Substitua a extensão se apresentar danos ou estiver avariada. Ao utilizar uma bobina de cabo, desenrole sempre o cabo na íntegra.

Etiquetas no equipamento

Os seguintes pictogramas, assim como o código de data, estão indicados na ferramenta.



CUIDADO! Vapor quente



Se for utilizado ao contrário, há saída de gotas de água



Há saída de vapor por todos os lados



Não deixe que o equipamento seja utilizado por crianças sem supervisão



Apenas para lavagem manual



CUIDADO! Superfície quente

1. Interruptor de ligar/desligar
2. Botão Autoselect™
3. Pega da unidade de vapor manual
4. Tampão de enchimento
5. Unidade de vapor manual
6. Pega
7. Gancho superior de organização dos cabos
8. Cabo principal
9. Gancho inferior de organização dos cabos
10. Botão de libertação da unidade de vapor manual
11. Corpo principal
12. Cabeça de limpeza do chão
- 12a. Cabeça de limpeza do chão sem secção delta extractora
- 12b. Cabeça delta
- 12c. Patilha de remoção da cabeça de vapor
- 12d. Sabrina (para utilização em alcatifas)
13. Pano de limpeza para chão
14. Patilha de libertação do pano de limpeza para chão
15. Suporte para pendurar
16. Mangueira de vapor
17. Bocal de vapor
18. Acessório da escova em ângulo (para utilização em manchas difíceis de remover)
- 18a. Escova em ângulo (escova metálica)
19. Acessório da escova (para utilização em azulejos/calda de cimento)
20. Esponja (para utilização em resguardos para duche/vidro/espelhos/vestuário/estofos)
- 20a. Bolsa para rodos
21. Esponja grande (para utilização em cabines de duche/vidro/espelhos/vestuário/estofos)
- 21a. Bolsa para rodos grande
22. Unidade de escovagem com jacto de vapor
- 22a. Escova metálica com jacto a vapor (para utilização em churrascos/fornos)
- 22b. Escova com jacto a vapor (para utilização em churrascos/fornos/placas de fornos/torneiros/calda de cimento)
- 22c. Escova grande com jacto a vapor (para utilização em superfícies de trabalho maiores)
23. Pano de limpeza da cabeça delta.
24. SteaMitt™
25. Mangueira da SteaMitt™
26. Pano de limpeza da SteaMitt™
27. Pano de limpeza 2 da SteaMitt™
28. Pano de limpeza para chão ultra-absorvente
29. Escova grande com raspador integrado

Funcionalidades

Este equipamento inclui todos ou parte dos seguintes acessórios.

Configuração

	F S M H 1 3 2 1	B H S M 1 6 8 D	B H S M 1 6 8 U	B H S M 1 6 6 D S M	B H S M 1 6 8 D S M	B H S M 1 6 9 D S M	B H S M 1 6 1 0 D S M	B H S M 1 6 1 5 D S M	B H S M 1 6 1 5 D S G	B H S M 1 6 1 5 D A M	S E T T I N G S
12	✓										Tudo
12a		✓	✓	✓	✓	✓	✓	✓	✓	✓	Tudo
12d		✓	✓	✓	✓	✓	✓	✓	✓	✓	Tudo
13	✓	✓	✓	✓	✓	✓	✓	✓	✓	✓	Tudo
16	✓	✓	✓	✓	✓	✓	✓	✓	✓	✓	Tudo
18	✓	✓	✓	✓	✓	✓	✓	✓	✓		*
18a						✓		✓			...
19	✓	✓	✓	✓		✓	✓	✓	✓		...
20	✓			✓	✓						*
20a	✓			✓	✓		✓				*
21		✓	✓			✓		✓	✓	✓	*
21a					✓			✓	✓	✓	*
22					✓		✓			✓	Tudo
22a					✓		✓			✓	Tudo
22b					✓		✓			✓	Tudo
22c					✓		✓			✓	Tudo
23		✓	✓	✓	✓	✓	✓	✓	✓	✓	Tudo
24			✓	✓	✓	✓	✓	✓	✓	✓	Tudo
25			✓	✓	✓	✓	✓	✓	✓	✓	Tudo
26			✓	✓	✓	✓	✓	✓	✓	✓	Tudo
27								✓	✓	✓	Tudo
28								✓	✓	✓	Tudo
29								✓	✓		Tudo

Montagem



Atenção! Antes de tentar seguir qualquer das seguintes instruções, certifique-se de que o equipamento está desligado e que a respectiva ficha não está ligada à corrente eléctrica, se encontra à temperatura ambiente e não contém água.

Fixar a pega (Fig. A)

- ◆ Faça deslizar a extremidade inferior da pega (8) para dentro da extremidade superior do corpo da máquina de limpeza a vapor (11) até ouvir um som de encaixe.

Montagem da máquina de limpeza a vapor manual

(Fig. B)

- ◆ Enquanto segura na parte de trás da estrutura da máquina de limpeza a vapor (11), empurre a máquina de limpeza a vapor manual (5) com firmeza no corpo da máquina de limpeza a vapor (11), certificando-se de que assenta correctamente sobre a ligação (11a) e encaixa bem no respectivo local.

Remover a máquina de limpeza a vapor manual

(Fig. B)

- ◆ Empurre o botão de libertação (10) no corpo principal (11) e levante a máquina de limpeza a vapor manual (5) da ligação (11a) e afastada do corpo principal (11).

Colocar um pano de limpeza (Fig. C)

Para obter panos de limpeza sobresselentes, contacte o seu revendedor da BLACK+DECKER- (cat. n.º F5MP20-XJ).

- ◆ Coloque um pano de limpeza (13) no chão com o lado de "gancho" com velcro virado para cima.
- ◆ Pressione ligeiramente a máquina de limpeza a vapor para baixo sobre o pano de limpeza (13).

Nota: Esta unidade pode ser fornecida com uma cabeça de limpeza padrão para chão (12) ou uma cabeça de limpeza com jacto de vapor (12a). Seja qual for a situação, siga estas instruções para colocar um pano de limpeza.

Cuidado! Nunca deixe a máquina de limpeza a vapor no mesmo ponto de uma superfície durante muito tempo.

Quando não a estiver a utilizar, coloque sempre a máquina de limpeza a vapor com a pega (8) na posição vertical, certificando-se de que se encontra desligada.

Remover um pano de limpeza

Cuidado! Calce sempre sapatos adequados ao mudar o pano de limpeza da máquina de limpeza a vapor.

Não calce chinelos ou sandálias.

- ◆ Volte a colocar a pega (8) na vertical e desligue a máquina de limpeza a vapor.
- ◆ Deixe a máquina de limpeza a vapor arrefecer antes de guardá-la (cerca de 5 minutos).
- ◆ Afaste a máquina de limpeza a vapor do pano de limpeza para libertá-la do fecho de velcro.

Cuidado! Nunca deixe a máquina de limpeza a vapor no mesmo ponto de uma superfície durante muito tempo.

Quando não a estiver a utilizar, coloque sempre a máquina de limpeza a vapor com a pega (8) na posição vertical, certificando-se de que se encontra desligada.

Encher o reservatório de água (Fig. O)

Nota! Encha o reservatório de água com água limpa da torneira (não utilize produtos químicos ou aditivos).

Nota! Em zonas de água dura, recomendamos a utilização de água desionizada.

- ◆ Rode o tampão de enchimento (4) para abri-lo.
- ◆ Encha o reservatório de água (não utilize aditivos ou produtos químicos).

Atenção! Quando encher, separe a unidade principal e mantenha-a na horizontal.

Atenção! O reservatório de água tem uma capacidade de 0,5 litros. Não encha o reservatório demasiado.

- ◆ Feche o tampão de enchimento (4).

Nota! Certifique-se de que o tampão de enchimento está bem fixado.

Montagem da sabrina (12d) (apenas para alcatifas)

- ◆ Coloque a sabrina (12d) no chão.
- ◆ Coloque um pano de limpeza na cabeça de limpeza para chão (12, 12a)
- ◆ Pressione ligeiramente a máquina de limpeza a vapor para baixo sobre a sabrina (12d) até ouvir um som de encaixe.

Cuidado! Nunca deixe a máquina de limpeza a vapor no mesmo ponto de uma superfície durante muito tempo.

Quando não a estiver a utilizar, coloque sempre a máquina de limpeza a vapor com a pega (8) na posição vertical, certificando-se de que se encontra desligada.

Retirar a sabrina

Cuidado! Calce sempre sapatos adequados quando substituir a sabrina na máquina de limpeza a vapor. Não calce chinelos ou sandálias.

- ◆ Volte a colocar a pega (8) na vertical e desligue a máquina de limpeza a vapor.
- ◆ Deixe a máquina de limpeza a vapor arrefecer antes de guardá-la (cerca de 5 minutos).
- ◆ Coloque a parte da frente do seu sapato na patilha de remoção da sabrina e pressione para baixo com firmeza.
- ◆ Levante a máquina de limpeza a vapor da sabrina.

Cuidado! Nunca deixe a máquina de limpeza a vapor no mesmo ponto de uma superfície durante muito tempo.

Quando não a estiver a utilizar, coloque sempre a máquina de limpeza a vapor com a pega (8) na posição vertical, certificando-se de que se encontra desligada.

Cabeça delta (Fig. D)

Esta máquina de limpeza a vapor está equipada com uma cabeça delta integrada que lhe permite aceder a cantos e espaços apertados e de difícil acesso. **Cuidado!** Calce sempre calçado adequado quando aceder à cabeça delta da máquina de limpeza a vapor. Não calce chinelos ou sandálias.

- ◆ Desligue a máquina de limpeza a vapor
- ◆ Deixe a máquina de limpeza a vapor arrefecer antes de guardá-la (cerca de cinco minutos).
- ◆ Coloque a parte da frente do seu sapato na patilha de remoção da cabeça de vapor (12c) e pressione para baixo suavemente.

- ◆ Levante a cabeça delta (12b) para retirá-la da cabeça de vapor (12a)
- ◆ Coloque o pano de limpeza da cabeça delta na parte inferior da mesma.

Nota: Retire o pano de limpeza antes de voltar a montar a cabeça delta na cabeça de vapor.

- ◆ Para voltar a colocar a cabeça delta, coloque a ponta da cabeça delta na cabeça de vapor e prima com firmeza, garantindo que a cabeça delta se encaixa na posição.

Montar a mangueira e os acessórios na máquina de limpeza a vapor manual (Fig. G - M)

Atenção! Verifique o selo entre o ponto de ligação na máquina de limpeza a vapor manual (5) e a mangueira de vapor (16) antes de cada utilização. Se o selo avariar ou estiver danificado, contacte o seu técnico de reparação autorizado mais próximo. Não utilize o equipamento.

Montar a mangueira

- ◆ Pressione o botão de libertação da mangueira de vapor (16a) na mangueira de vapor (16).
- ◆ Ligue a mangueira de vapor (16) na máquina de limpeza a vapor manual (5) e liberte o botão de libertação da mangueira de vapor (16a), certificando-se de que encaixa no respectivo local.

Importante! Certifique-se de que a mangueira de vapor (16) está fixada correctamente na máquina de limpeza a vapor manual (5). Se houver fuga de vapor pela junta, isso significa que a mangueira foi montada incorrectamente. Desligue, deixe a unidade arrefecer, retire e volte a montar a mangueira.

Fixar acessórios (Fig. H)

- ◆ Alinhe as saliências do bocal de vapor (17) com os encaixes do acessório.
- ◆ Pressione o acessório no bocal de vapor (17) e rode-o no sentido contrário ao dos ponteiros do relógio até ouvir um som de encaixe.

Importante! Todos os acessórios, excepto a SteaMitt™ (24), que tem uma mangueira e um conector (25) próprios, devem ser montados na mangueira de vapor (16) para utilização.

Remover a mangueira e os acessórios

Atenção! A mangueira de vapor (16), o bocal de vapor (17) e os acessórios ficam quentes durante a utilização. Deixe a unidade e todos os acessórios arrefecerem antes de removê-los.

Remover acessórios

- ◆ Rode o acessório no sentido dos ponteiros do relógio e, em seguida, retire-o da mangueira (16).

Remover a mangueira

- ◆ Pressione o botão de libertação da mangueira de vapor (16a) na mangueira de vapor (16) e afaste-o da unidade de vapor manual.

SteaNitt™

A sua máquina a vapor BLACK+DECKER™ SteaNitt™ foi concebida para desinfecção e limpar azulejos, superfícies de trabalho, superfícies de cozinha e superfícies de casas de banho. Este equipamento destina-se apenas a utilização doméstica em interiores.

Montar a mangueira SteaNitt™ na unidade de vapor manual

Atenção! Verifique o selo no bocal de vapor e a mangueira antes de cada utilização. Se não tiver selo ou estiver danificado, contacte o seu técnico de reparação autorizado mais próximo.

Não utilize o equipamento. Inspeccione o selo na SteaNitt™ e na mangueira. Se não tiver um vedante, se estiver danificado ou houver fuga de vapor, contacte o técnico de reparação autorizado mais próximo. **Não utilize o equipamento.** Certifique-se de que não existe qualquer bloqueio ou obstrução na mangueira SteaNitt™ ou na mangueira de ligação. Se for detectada alguma destas situações, contacte o técnico de reparação autorizado mais próximo. **Não utilize o equipamento.**

Colocar um pano de limpeza na SteaNitt™ (Fig. J)

Atenção! Certifique-se de que não há qualquer bloqueio ou obstrução nas aberturas de libertação de vapor. Se detectar alguma falha, contacte o técnico de reparação autorizado mais próximo. **Não utilize o equipamento.**

- ◆ Insira o pano de limpeza (26) na SteaNitt™ (24) fixando as fitas de velcro de "gancho" (26a) no lado de cima do pano de limpeza nas fitas de velcro do "gancho" (24a) na parte de baixo da SteaNitt™ (24). Pressione para baixo com firmeza.

Atenção! Só deve utilizar a SteaNitt™ depois de inserir um pano de limpeza.

Nota: A SteaNitt™ inclui 4 tipos de panos de limpeza com vários tipos de espessura. O esfregão (para uso em manchas difíceis e superfícies não delicadas), Escova de casa de banho (para uso em torneiras e outras superfícies de casa de banho moldadas), escova padrão (para uso em todas as superfícies maiores) e almofada de polimento (para uso superfícies delicadas).

- ⚠ **Atenção!** Utilize sempre a SteaNitt™ como indicado na Figura M, com a mão dentro da luva de protecção.

Atenção! Nunca utilize a SteaNitt™ segurando-a por fora, como indicado na Figura N. Pode sofrer queimaduras.



Atenção! Evite utilizar a SteaNitt™ em canto apertados como indicado na Figura H.



Atenção! Se ocorrer um problema durante a utilização, utilize a patilha de libertação rápida para remover rapidamente a SteaNitt™ da sua mão, como indicado na Figura P.



Atenção! Não utilize a SteaNitt™ em vidros frios, por exemplo, em janelas, porque podem ocorrer danos devido à variação súbita de temperatura.



Atenção! Nunca aponte ou direcione a máquina de limpeza a vapor na sua direcção ou de outra pessoa.

Nota: O indicador de vapor variável desliga-se quando a SteaNitt™ é montada e, por conseguinte, o fluxo de vapor é limitado.

Utilização

Importante! Esta unidade mata 99,9 % das bactérias e dos germes, se for utilizada de acordo com as instruções indicadas neste manual e com os panos de micro fibras colocado e durante 90 segundos sem parar.

Ligar e desligar

- ◆ Para ligar o equipamento, pressione o interruptor de LIGAR/DESLIGAR (1). A máquina de limpeza a vapor demora aproximadamente 20 segundos a aquecer.
- ◆ Para desligar o equipamento, pressione o interruptor de LIGAR/DESLIGAR (1).

Nota: coloque sempre a mão dentro da SteaNitt™ antes de pressionar o botão de vapor.

Cuidado! Nunca deixe a máquina de limpeza a vapor no mesmo ponto de uma superfície durante muito tempo.

Quando não a estiver a utilizar, coloque sempre a máquina de limpeza a vapor com a pega (8) na posição vertical, certificando-se de que se encontra desligada.



Cuidado! Esvazie sempre a máquina de limpeza a vapor após a utilização.

Nota! Quando ficar cheia pela primeira vez ou depois de ficar seca, o vapor pode demorar até 45 segundos.

Tecnologia Autoselect™ (Fig. P)

Esta máquina de limpeza a vapor inclui um botão Autoselect™ (2) que mostra várias aplicações de limpeza. São utilizadas para seleccionar o modo de funcionamento correcto para uma operação de limpeza específica.

Utilizando o Autoselect™, escolha uma das seguintes aplicações, rodando o botão Autoselect™ (2) até que seja seleccionada a definição pretendida.

Regulação	Mopa	Manual
	Madeira/laminado	Fluxo de vapor reduzido ●
	Mosaicos/vinil	Fluxo de vapor médio ● ●
	Pedra/mármore	Fluxo de vapor elevado ● ● ●

A máquina de limpeza a vapor selecciona o volume de vapor correcto necessário para a operação de limpeza específica.

Nota: Verifique sempre se está a utilizar a definição correcta antes de utilizar a máquina de limpeza a vapor.

Sugestões para uma utilização óptima

Geral

Atenção: Nunca utilize a máquina de limpeza a vapor sem colocar um pano de limpeza.

- ◆ aspire ou limpe sempre o chão antes de utilizar a máquina de limpeza a vapor.
- ◆ A maneira mais fácil de utilizar o equipamento é inclinar a pega a um ângulo de 45° e limpá-la lentamente, cobrindo uma pequena área de cada vez.
- ◆ Utilize apenas água sem aditivos ou produtos químicos na máquina de limpeza a vapor. Para remover manchas persistentes em chão de vinil ou linóleo, pode efectuar um tratamento prévio com um detergente suave e um pouco de água antes de utilizar a máquina de limpeza a vapor.

Limpeza a vapor com a mopa

- ◆ Encaixe a máquina de limpeza a vapor manual (5) no corpo da máquina de limpeza a vapor (11)
- ◆ Coloque um pano de limpeza (13) no chão com o lado de “gancho” com velcro virado para cima.
- ◆ Pressione ligeiramente a máquina de limpeza a vapor para baixo sobre o pano de limpeza (13).
- ◆ Ligue a máquina de limpeza a vapor à corrente eléctrica.
- ◆ Pressione o botão LIGAR/DESLIGAR (1). A máquina de limpeza a vapor demora aproximadamente 15 segundos a aquecer.
- ◆ Rode o botão Autoselect™ (2) até ser atingida a definição necessária. Após alguns segundos começa a sair vapor da cabeça de vapor.

Nota! Quando ficar cheia pela primeira vez ou depois de ficar seca, o vapor pode demorar até 45 segundos.

- ◆ O vapor demora alguns segundos a entrar no pano de limpeza. A máquina de limpeza a vapor desliza agora facilmente sobre a superfície a desinfectar/limpar.
- ◆ Empurre e puxe lentamente a máquina de limpeza a vapor ao longo da superfície para limpar profundamente todas as secções do chão.

- ◆ Quando terminar a limpeza com a máquina de limpeza a vapor, volte a colocar a pega (8) na vertical, certificando-se de que fica apoiada e coloque-a na posição Desligado. Deixe a máquina de limpeza a vapor arrefecer antes de guardá-la (cerca de cinco minutos).

Cuidado! É importante monitorizar o nível de água no reservatório. Para atestar o reservatório de água e continuar a desinfecção/limpeza, volte a colocar a pega na posição vertical, certificando-se de que a pega fica apoiada e DESLIGUE a máquina de limpeza a vapor. Desligue a unidade da tomada eléctrica e ateste o reservatório de água.

Cuidado! Nunca deixe a máquina de limpeza a vapor no mesmo ponto de uma superfície durante muito tempo. Quando não a estiver a utilizar, coloque sempre a máquina de limpeza a vapor com a pega (8) na posição vertical, certificando-se de que se encontra desligada.

Limpeza de alcatifas

- ◆ Coloque um pano de limpeza (13) no chão com o lado de “gancho” virado para cima.
- ◆ Pressione ligeiramente a máquina de limpeza a vapor para baixo sobre o pano de limpeza.
- ◆ Coloque a sabrina (12d) no chão.
- ◆ Pressione ligeiramente a máquina de limpeza a vapor para baixo sobre a sabrina até ouvir um som de encaixe.
- ◆ Ligue a máquina de limpeza a vapor à corrente eléctrica.
- ◆ Pressione o botão LIGAR/DESLIGAR (1). A máquina de limpeza a vapor demora cerca de 15 segundos a aquecer.
- ◆ Rode o botão Autoselect™ (2) para a posição Madeira/Laminado.
- ◆ Empurre e puxe lentamente a máquina de limpeza a vapor ao longo da alcatifa para limpar cada secção em profundidade.
- ◆ Quando terminar a limpeza com a máquina de limpeza a vapor, volte a colocar a pega (8) na vertical e desligue a unidade. Deixe a máquina de limpeza a vapor arrefecer antes de guardá-la (cerca de cinco minutos).

Após a utilização

- ◆ Rode o botão Autoselect™ (2) para a posição Desligado.
- ◆ Aguarde até a máquina de limpeza a vapor arrefecer.
- ◆ Desligue a máquina de limpeza a vapor da tomada eléctrica.
- ◆ Esvazie o reservatório de água.
- ◆ Retire o pano de limpeza (13) e lave-o para a próxima utilização (deve ler as instruções de cuidados de lavagem impressas no pano de limpeza).
- ◆ Enrole o cabo de alimentação à volta dos ganchos de arrumação (7 e 9).
- ◆ Está equipado um suporte para pendurar (15) na pega (6) que permite pendurar a máquina de limpeza a vapor num gancho adequado na parede.

Certifique-se sempre de que o gancho na parede suporta com segurança o peso da máquina de limpeza a vapor.

- ◆ A pega inclui também um batente de borracha que permite pendurar a máquina de limpeza a vapor numa superfície vertical.

Limpeza a vapor manual

Atenção! A unidade só produz vapor se estiver ligada ao corpo principal (11) ou se a mangueira de vapor (16) estiver montada.

Atenção! Utilize apenas na horizontal.

- ◆ Fixe o acessório necessário.
- ◆ Ligue a máquina de limpeza a vapor manual à corrente eléctrica.
- ◆ Pressione o botão LIGAR/DESLIGAR (1). A máquina de limpeza a vapor demora aproximadamente 15 segundos a aquecer.
- ◆ Rode o botão Autoselect™ dial (2) até à definição necessária. Após alguns segundos começa a sair vapor da cabeça de vapor.

Nota! Quando ficar cheia pela primeira vez ou depois de ficar seca, o vapor pode demorar até 45 segundos.

- ◆ Quando terminar a limpeza com a máquina de limpeza a vapor, coloque o botão Autoselect™ (2) na posição Desligado. Pressione o botão LIGAR/DESLIGAR (1) para desligar a unidade e depois retire a ficha da fonte de alimentação. Aguarde até a unidade arrefecer antes de armazená-la (cerca de cinco minutos).

Acessórios

O desempenho do equipamento depende dos acessórios utilizados. Os acessórios BLACK+DECKER são concebidos segundo normas de elevada qualidade e desenvolvidos de modo a melhorar o desempenho do seu equipamento. Utilizando estes acessórios, tirará o melhor partido do seu equipamento.

Dados técnicos

	Tensão	Potência	Capacidade do reservatório	Período de aquecimento	Comprimento do cabo	Peso
	V _~	W	ml	segundos	m	kg
FSMH1321	230	1600	500	≈20	6	2,7
BHSM168D	230	1600	500	≈20	6	2,8
BHSM168U	230	1600	500	≈20	6	2,8
BHSM168DSM	230	1600	500	≈20	6	2,8
BHSM1615DSM	230	1600	500	≈20	7	2,9
BHSM1615DAM	230	1600	500	≈20	7	2,9
BHSM1615DSG	230	1600	500	≈20	8	2,9
BHSM168DSM	230	1600	500	≈20	8	2,9
BHSM168DSM	230	1600	500	≈20	8	2,9
BHSM169DSM	230	1600	500	≈20	8	2,9

Resolução de problemas

Se achar que o equipamento não está a funcionar correctamente, respeite as instruções apresentadas em seguida. Se não conseguir resolver o problema, contacte o técnico local de reparação BLACK+DECKER.

Problema	Passo	Possível solução
A máquina de limpeza a vapor não liga	1.	Verifique se a unidade está ligada à tomada de parede.
	2.	Verifique se a unidade está ligada utilizando o interruptor de LIGAR/DESLIGAR (1)
	3.	Verifique o fusível na ficha.
A máquina de limpeza a vapor não produz vapor	4.	A máquina de limpeza a vapor só produz vapor se a máquina de limpeza a vapor manual (5) estiver inserida correctamente no corpo principal (11) ou a mangueira de vapor estiver instalada ou se o botão Autoselect™ estiver na posição Ligado
	5.	Verifique se o reservatório de água está cheio. Nota: Quando ficar cheio pela primeira vez ou depois de ficar seco, o vapor pode demorar até 45 segundos a ser produzido.
	6.	Verifique o passo 1 e depois os passos 2 e 3
A máquina de limpeza a vapor para de produzir vapor durante a utilização	7.	Verifique o passo 4 e depois os passos 5 e 3
A máquina de limpeza a vapor produz demasiado vapor durante a utilização	8.	Rode o botão Autoselect™ (2) no sentido contrário ao dos ponteiros do relógio para reduzir a quantidade de vapor produzida
A máquina de limpeza a vapor produz pouco vapor durante a utilização	9.	Rode o botão Autoselect™ (2) no sentido dos ponteiros do relógio para aumentar a quantidade de vapor produzida
A máquina de limpeza a vapor manual não produz vapor	10.	Verifique se o botão Autoselect™ (2) está na posição Ligado
	11.	Verifique o passo 5 e depois o 1, o 2 e o 3
A máquina de limpeza a vapor manual produz muito pouco vapor durante a utilização	12.	Rode o botão Autoselect™ (2) no sentido dos ponteiros do relógio para aumentar a quantidade de vapor produzida
	13.	Verifique o passo 5
A máquina de limpeza a vapor manual produz pouco vapor durante a utilização	14.	Rode o botão Autoselect™ (2) no sentido contrário ao dos ponteiros do relógio para reduzir a quantidade de vapor produzida
Os acessórios impedem a queda da unidade	15.	Consulte o capítulo sobre montagem para saber quais são as instruções de instalação correcta de todas as peças e acessórios
Há saída de vapor de pontos inesperados da unidade	16.	Consulte o capítulo sobre montagem para saber quais são as instruções de instalação correcta de todas as peças e acessórios
Onde posso obter mais informações/acessórios	17.	www.blackanddecker.co.uk/steamop www.blackanddecker.ie/steamop

Manutenção e limpeza

O seu equipamento BLACK+DECKER com fio foi concebido para funcionar durante um longo período de tempo com uma manutenção mínima.

Uma utilização continuamente satisfatória depende de uma manutenção apropriada e de uma limpeza regular da ferramenta.

Atenção! Antes de executar qualquer operação de manutenção ou limpeza num equipamento com fio, desligue-o e retire a ficha da tomada.

- ◆ Limpe o equipamento com um pano suave humedecido.
- ◆ Para as manchas mais persistentes, pode utilizar uma solução suave de sabão e água para humedecer o pano.

Manutenção dos panos de limpeza

Instruções de cuidados de lavagem - Os panos podem ser lavados a 60 °C. Não utilize amaciador. Deixe secar por completo antes de utilizar novamente.

Cuidado! Siga as instruções de limpeza impressas na etiqueta do pano de limpeza.

Substituição da ficha de alimentação (apenas no Reino Unido e Irlanda)

Se for necessário instalar uma nova ficha de alimentação:

- ◆ Elimine com segurança a ficha antiga.
- ◆ Ligue o cabo castanho ao terminal sob tensão na nova ficha.
- ◆ Ligue o cabo azul ao terminal neutro.
- ◆ Ligue o cabo verde/amarelo ao terminal de terra.

Atenção! Siga as instruções de instalação fornecidas com fichas de boa qualidade. Fusível recomendado: 13A.

Protecção do ambiente



Faça uma recolha de lixo selectiva. Os produtos e baterias assinalados com este símbolo não devem ser eliminados em conjunto com resíduos domésticos normais

Os produtos e as baterias contêm materiais que podem ser recuperados ou reciclados, reduzindo assim a necessidade de matérias-primas. Recicle os produtos eléctricos e as baterias de acordo com as disposições locais.

Estão disponíveis mais informações em www.2helpU.com

Garantia

A Black & Decker confia na qualidade dos seus produtos e oferece aos clientes uma garantia de 24 meses a partir da data de compra. Esta garantia é um complemento dos seus direitos estabelecidos por lei, não os prejudicando de forma alguma. A garantia é válida nos Estados-membros da União Europeia e nos países-membros da Zona Europeia de Comércio Livre.

Para acionar a garantia, esta deve estar em conformidade com os termos e condições da Black&Decker e terá de apresentar o comprovativo de compra ao vendedor ou a um técnico de reparação autorizado.

Os termos e condições da garantia de 2 anos da Black&Decker e a localização do agente de reparação autorizado mais próximo podem ser obtidos na Internet em www.2helpU.com ou contactando uma filial da Black & Decker, cuja morada está indicada neste manual.

Visite o nosso Website www.blackanddecker.co.uk para registar o novo produto Black & Decker e manter-se actualizado relativamente a novos produtos e ofertas especiais.

(Översättning av originalanvisningarna)

Avsedd användning

Din BLACK+DECKER™ FSMH1321, BHSM166DSM, BHSM168D, BHSM168DSM, BHSM168U, BHSM169DSM, BHSM1610DSM, BHSM1615DSM, BHSM1615DSG, BHSM1615DAM ångmopp är konstruerad för sanering och rengöring av golv av förseglad hårträ, förseglad laminat, linoleum, vinyl, kakel, sten och marmor. Denna apparat är endast avsett för inomhusbruk i hemmet.

Säkerhetsinstruktioner



Varning! Läs alla säkerhetsvarningar och instruktioner.

Fel som uppstår till följd av att varningarna och instruktionerna som listas nedan inte följts kan orsaka elstöt, brand och/eller allvarliga kroppsskador.



Varning! Vid användning av nätdrivna apparater ska allmänna säkerhetsåtgärder, inklusive följande, alltid vidtas. Detta för att förhindra brand, elstöt, person- och materialskador.

- ◆ Avsedd användning beskrivs i denna bruksanvisning.
- ◆ Använd inte apparaten med andra tillbehör eller tillsatser än de som rekommenderas i denna bruksanvisning eftersom detta kan leda till personsador.
- ◆ Spara den här bruksanvisningen för framtida referens.

Använda apparaten

- ◆ Rikta inte ångan direkt mot andra människor, djur, elektriska apparater eller eluttag.
- ◆ Utsätt den inte för regn.
- ◆ Sänk aldrig apparaten i vatten.
- ◆ Lämna inte apparaten utan uppsikt.
- ◆ Lämna aldrig apparaten ansluten till ett eluttag när den inte används.
- ◆ Dra aldrig i nätsladden när du kopplar bort apparaten från eluttaget. Håll apparatens sladd borta från värme, olja och vassa kanter.
- ◆ Hantera inte ångrengöraren med våta händer.
- ◆ Dra inte eller bär apparaten i sladden. Använd inte sladden som handtag, kläm inte sladden i en dörr, dra inte sladden runt vassa hörn och utsätt aldrig sladden för varma ytor.
- ◆ Använd inte apparaten i ett slutet utrymme fyllt med ångor från oljebaserat lackthinner, vissa malmedel, lättantändligt damm eller andra explosiva eller giftiga ångor.
- ◆ Kontrollera golvtypen med tillverkaren.
- ◆ Använd inte på läder, vaxpolerade möbler eller golv, syntettyger, sammet eller andra ömtåliga eller ångkänsliga material.



Varning! Använd inte på oförseglade trägolv eller oförseglade laminatgolv. På ytor som har behandlats med vax eller vissa vaxfria golv, kan glansen försvinna av värmen och ångan.

Det rekommenderas alltid att du testar att rengöra en begränsad yta innan du fortsätter. Vi rekommenderar också att du kontrollerar användnings- och skötselinstruktionerna från golv-tillverkaren.

- ◆ Lägg aldrig i avkalkningsmedel, aromatiska ämnen, alkoholhaltiga vätskor eller rengöringsmedel i ångrengöraren eftersom det kan skada den eller göra den osäker att använda.
- ◆ Om jordfelsbrytaren utlöses när du använder ångfunktionen avbryter du genast användningen och kontaktar kundsupportcentret. (Var aktsam – risk för stötar.)
- ◆ Apparaten avger väldigt het ånga som sanerar arbetsytan. Det betyder att ånghuvudet, rengöringsdynorna och mattillsatsen blir väldigt varma under användning.

Försiktighet! Använd alltid lämpliga skor när du använder ångmoppen och när du byter tillbehör på den. Använd inte tofflor eller öppna skor.

- ◆ Locket kan bli varmt under användning.
- ◆ Ånga kan strömma ut från apparaten under användning. Försiktighet ska iaktas vid användning av apparaten. VIDRÖR INTE några delar som blir varma under användning.
- ◆ Stäng av apparaten och sätt tillbaka handtaget i stående läge innan du tar bort locket på vattenbehållaren.

- ♦ Om det kommer ånga ur den handhållna ångrengöraren stänger du av den, kopplar bort den från elnätet och låter den svalna. Kontakta din närmaste auktoriserade verkstad. Använd inte apparaten under dessa förhållanden.

Efter användning

- ♦ Koppla bort apparaten och låt den svalna innan rengöring.
- ♦ När apparaten inte används ska den förvaras på en torr plats.
- ♦ Barn ska inte ha tillgång till apparater under förvaring.

Kontroll och reparationer

- ♦ Koppla bort apparaten och låt den svalna innan du utför något underhåll eller reparationer på den.
- ♦ Kontrollera att apparaten är hel och att inga delar är skadade innan du använder den. Kontrollera att inga delar är trasiga, att strömbrytaren fungerar och att inget annat föreligger som kan påverka dess funktion.
- ♦ Kontrollera regelbundet att nätsladden inte har skadats.
- ♦ Använd inte apparaten om någon del har skadats eller gått sönder.
- ♦ Låt en auktoriserad reparatör reparera eller byta ut skadade eller defekta delar.
- ♦ Försök aldrig ta bort eller byta ut andra delar än de som anges i den här bruksanvisningen.

Säkerhet för andra

- ♦ Denna apparat kan användas av personer med nedsatt fysisk eller psykisk förmåga eller bristande erfarenhet eller kunskap, om de övervakas eller får instruktioner om hur apparaten används och är medvetna om riskerna. Barn ska inte leka med apparaten.
- ♦ Barn ska hållas under uppsikt så att de inte leker med verktyget.
- ♦ Kontakten måste dras ut ur eluttaget innan apparaten rengörs eller underhålls.
- ♦ Vätskan eller ångan får inte riktas mot utrustning som innehåller elektriska komponenter, t.ex. de invändiga ytorna i ugnar.
- ♦ Apparaten får inte lämnas utan uppsikt när den är ansluten till elnätet.
- ♦ Apparaten skall inte användas om den tappats, om det finns synliga skador eller om den läcker.
- ♦ Förvara apparaten utom räckhåll för barn när den är strömförande eller svalnar.
- ♦ Vänd eller rikta aldrig moppen mot dig själv eller någon annan person.
- ♦ Var noga med att använda apparaten på grund av ångautsläpp.
- ♦ Koppla ur kontakten under påfyllning och rengöring.
- ♦ Tygspånaren får inte lämnas obevakad när den är ansluten till nätspänningen.
- ♦ Tygspånaren får inte användas om den har tappats, om det finns synliga tecken på skador eller om det läcker.

- ◆ håller tyget ångkokare och sladden utom räckhåll för barn under 8 år när det är spänning eller svalnar

Återstående risker

Ytterligare risker som inte finns med i de bifogade säkerhetsanvisningarna kan uppstå när verktyget används. Dessa risker kan uppstå vid felaktig eller långvarig användning, etc. Även om alla relevanta säkerhetsanvisningar följs och säkerhetsanordningar används kan vissa ytterligare risker inte undvikas. Dessa omfattar:

- ◆ Skador orsakade av att rörliga delar vidrörs.
- ◆ Skador orsakade av att varma delar vidrörs.
- ◆ Skador som uppstår vid byte av delar eller tillbehör.
- ◆ Skador som orsakas av långvarig användning av apparaten. Se till att ta regelbundna pauser när du använder en apparat under en längre period.

Elsäkerhet



Varning! Varning! Produkten måste skyddsjordas. Kontrollera alltid så att spänningen på nätet motsvarar den spänning som finns angiven på märkplåten.

Verktygets stickpropp måste passa till vägguttaget. Modifiera aldrig kontakten på något sätt. Icke modifierade kontakter och passande uttag minskar risken för elektrisk stöt.

- ◆ Om nätsladden är skadad så måste den bytas ut av tillverkaren eller en auktoriserad BLACK+DECKER-verkstad för att undvika risker.

Förlängningskablarna och klass 1-produkt

- ◆ Eftersom verktyget är skyddsjordat och konstruerat enligt klass 1 måste en tretrådig kabel användas.
- ◆ Använd alltid en godkänd förlängningssladd som lämpar sig för verktygets ineffekt (se tekniska data). Det går att använda en 1,5 mm² förlängningssladd som är upp till 30 m lång utan att produktens prestanda försämras. Innan du använder sladden, kontrollera att den inte är skadad, sliten eller nött. Byt ut förlängningssladden om den är skadad eller defekt. Om du använder en sladdvinda, vira alltid av sladden fullständigt.

Etiketter på apparaten

Följande symboler tillsammans med datumkoden är synliga på apparaten.



FÖRSIKTIGHET! Varm ånga



Vatten droppar vid användning upp och ned



Ånga tränger ut på alla sidor



Lämna inte apparaten utan tillsyn tillsammans med unga barn



Endast handtvätt



FÖRSIKTIGHET! Het yta

Funktioner

Denna apparat har några eller samtliga av följande funktioner.

1. Strömbrytare
2. Autoselect™-ratt
3. Handhållet ångrenhetshandtag
4. Påfyllningslock
5. Handhållen ångrenhet
6. Handtag
7. Övre kabelhållarkrok
8. Huvudhandtag
9. Kabelhållarens nedre krok
10. Lås knapp för handhållen ångrenhet
11. Huvudstomme
12. Golvrengöringsmunstycke
- 12a. Fyra rengöringshuvuden med uttagbar Delta-sektion
- 12b. Delta-munstycke
- 12c. Borttagningsflik för ånghuvud
- 12d. Mattglidskena (för användning på mattor)
13. Golvrengöringsdyna
14. Låsflak för golvrengöringsdyna
15. Upphängningskrok
16. Ångslang
17. Ångmunstycke
18. Vinkelborste (för användning på svårborttagna fläckar)
- 18a. Vinkelborste (stålborste)
19. Borstillbehör
(för användning på kakel/betong)
20. Rakel (för användning på duschskårmar/glas/speglar/kläder/möbeltyg)
- 20a. Rakelstrumpa
21. Stor Rakel (för användning på duschskårmar/glas/speglar/kläder/möbeltyg)
- 21a. Stor rakelstrumpa
22. Ångduschborstenhet
- 22a. Ångduschstålborste (för användning på grillar)
- 22b. Ångduschborste (för användning på grillar/ugnar/ugnskåpor/kranar/betong)
- 22c. Ångduschborste, bred (för användning på större arbetsytor)
23. Rengöringsdyna för Delta-munstycke.
24. SteaMitt™
25. SteaMitt™-slang
26. SteaMitt™-rengöringsdyna
27. SteaMitt™-rengöringsdyna 2
28. Ultraabsorberande golvrengöringsdyna
29. Stor borste med inbyggd skrapa

Konfiguration

	F S M H 1 3 2 1	B H S M 1 6 8 D	B H S M 1 6 8 U	B H S M 1 6 6 D S M	B H S M 1 6 8 D S M	B H S M 1 6 9 D S M	B H S M 1 6 1 0 D S M	B H S M 1 6 1 5 D S M	B H S M 1 6 1 5 D S G	B H S M 1 6 1 5 D A M	S E T T I N G S
12	✓										All
12a		✓	✓	✓	✓	✓	✓	✓	✓	✓	All
12d		✓	✓	✓	✓	✓	✓	✓	✓	✓	All
13	✓	✓	✓	✓	✓	✓	✓	✓	✓	✓	All
16	✓	✓	✓	✓	✓	✓	✓	✓	✓	✓	All
18	✓	✓	✓	✓	✓	✓	✓	✓	✓		*
18a						✓					***
19	✓	✓	✓	✓		✓	✓	✓	✓		***
20	✓			✓	✓		✓				*
20a	✓			✓	✓		✓				*
21		✓	✓			✓		✓	✓	✓	*
21a						✓		✓	✓	✓	*
22					✓		✓			✓	All
22a					✓		✓			✓	All
22b					✓		✓			✓	All
22c					✓		✓			✓	All
23		✓	✓	✓	✓	✓	✓	✓	✓	✓	All
24				✓	✓	✓	✓	✓	✓	✓	All
25				✓	✓	✓	✓	✓	✓	✓	All
26				✓	✓	✓	✓	✓	✓	✓	All
27								✓	✓	✓	All
28								✓	✓	✓	All
29								✓	✓		All

Montering



Varning! Innan du verkställer någon av nedanstående instruktioner ska du kontrollera att apparaten är avstängd, att sladden inte sitter i och att den har svalnat och inte innehåller vatten.

Montera handtaget (bild A)

- ◆ Skjut in den nedre delen av handtaget (8) i den övre änden av ångmoppen (11) tills det klickar på plats.

Montera den handhållna ångrengöraren (bild B)

- ◆ Medan du håller i bakre delen av ångmoppen (11), tryck in den handhållna ångrengöraren (5) ordentligt i ångmoppen (11) och se till att den sitter korrekt över mellanstycket (11a) och klickar in säkert på plats.

Ta bort den handhållna ångrengöraren (bild B)

- ◆ Tryck på låsknappen (10) på huvudstommen (11) och lyft av den handhållna ångrengöraren (5) från mellanstycket (11a) och bort från huvudstommen (11).

Montera en rengöringsdyna (bild C)

Rengöringsdynor finns att köpa hos din BLACK+DECKER-återförsäljare (katalognr. FSPMP20-XJ).

- ◆ Placera en rengöringsdyna (13) på golvet med kardborresidan uppåt.
- ◆ Tryck försiktigt ned ångmoppen på rengöringsdynan (13).

Notera: Denna enhet kan levereras med standardmunstycke för golvrengöring (12) eller ett munstycke med ångdusch (12a). Oavsett vilket ska du följa dessa anvisningar för att montera en rengöringsdyna.

Försiktighet! Lämna aldrig ångmoppen på samma plats på ytan under längre tid. Förvara alltid ångmoppen så att handtaget (8) får stöd och befinner sig i upprätt läge och se till att ångmoppen är avstängd när den inte används.

Ta bort en rengöringsdyna

Försiktighet! Använd alltid lämpliga skor när du byter rengöringsdyna på ångmoppen.

Använd inte tofflor eller öppna skor.

- ◆ Sätt tillbaka handtaget (8) i stående läge och stäng AV ångmoppen.
- ◆ Vänta tills ångmoppen svalnat (ungefär 5 minuter).
- ◆ Lyft bort ångmoppen från rengöringsdynan genom att frigöra den från kardborrefästet.

Försiktighet! Lämna aldrig ångmoppen på samma plats på ytan under längre tid.

Förvara alltid ångmoppen så att handtaget (8) får stöd och befinner sig i upprätt läge och se till att ångmoppen är avstängd när den inte används.

Fylla vattenbehållaren (bild O)

Notera! Fyll vattentanken med rent kranvatten (använd inga tillsatser eller kemikalier).

Notera! I områden med hårt vatten rekommenderas det att du använder avjoniserat vatten.

- ◆ Öppna påfyllningslocket (4) genom att fälla upp det.
- ◆ Fyll vattentanken med vatten (använd inga tillsatser eller kemikalier).

Varning! Koppla bort enheten från elnätet och ha den i vågrätt läge vid påfyllningen.

Varning! Vattenbehållaren rymmer 0,5 liter. Fyll inte på för mycket vatten i vattenbehållaren.

- ◆ Stäng påfyllningslocket (4).

Notera! Kontrollera att påfyllningslocket sitter fast ordentligt.

Montera mattglidskenan (12d) (enbart för användning på mattor)

- ◆ Placera mattglidskenan (12d) på golvet.

- ◆ Montera en rengöringsdyna på golvrengöringsmunstycket (12, 12a)

- ◆ Tryck ned ångmoppen lätt på mattglidskenan (12d) tills den klickar in på plats.

Försiktighet! Lämna aldrig ångmoppen på samma plats på ytan under längre tid. Förvara alltid ångmoppen så att handtaget (8) får stöd och befinner sig i upprätt läge och se till att ångmoppen är avstängd när den inte används.

Ta bort mattglidskenan

Försiktighet! Använd alltid lämpliga skor när du byter mattglidskena på ångmoppen. Använd inte tofflor eller öppna skor.

- ◆ Sätt tillbaka handtaget (8) i stående läge och stäng AV ångmoppen.

- ◆ Vänta tills ångmoppen svalnat (ungefär 5 minuter).

- ◆ Placera framdelen på din sko på mattglidskenans borttagningsflik och trampa ned ordentligt.

- ◆ Lyft ångmoppen uppåt och bort från mattglidskenan.

Försiktighet! Lämna aldrig ångmoppen på samma plats på ytan under längre tid. Förvara alltid ångmoppen så att handtaget (8) får stöd och befinner sig i upprätt läge och se till att ångmoppen är avstängd när den inte används.

Delta-munstycket (fig. D)

Den här ångmoppen har ett inbyggt Delta-huvud som gör det möjligt för dig att komma åt i trånga områden. **Försiktighet!** Använd alltid lämpliga skor när du tar i Delta-huvudet på ångmoppen. Använd inte tofflor eller öppna skor.

- ◆ Sätt ångmoppen på AV
- ◆ Vänta tills ångmoppen har svalnat (ca. fem minuter).
- ◆ Placera din skys framsida på ånghuvudets borttagningsflik (12c) och trampa ned försiktigt.
- ◆ Lyft försiktigt upp Delta-huvudet (12b) från ånghuvudet (12a)
- ◆ Montera Delta-huvudets rengöringsdyna mot nederdelen av Delta-huvudet.

Notera: Ta bort rengöringsdynan innan du sätter tillbaka Delta-huvudet på ånghuvudet.

- ◆ För att återmontera Delta-huvudet ska du placera övre delen av Delta-huvudet i ånghuvudet och sedan trycka nedåt och se till att Delta-huvudet klickar fast på plats.

Montera slang och tillbehör på den handhållna ångrengöraren (bild G-M)

Varning! Kontrollera packningen mellan anslutningsstället på den handhållna ångrengöraren (5) och ångslangen (16) före varje användning. Om packningen inte fungerar som den ska eller är skadad, ska du kontakta närmaste auktoriserade verkstad. Använd inte apparaten.

Montering av slangen

- ◆ Tryck på ångslangens låsknapp (16a) på ångslangen (16).
- ◆ Anslut ångslangen (16) till den handhållna ångrengöraren (5) och släpp upp ångslangens låsknapp (16a) samt se till att den klickar in på plats.

Viktigt! Kontrollera att slangen (16) är korrekt ansluten till den handhållna ångrengöraren (5). Om ånga tränger ut ur anslutningen är slangen inte korrekt monterad. Stäng av, låt enheten svalna och ta sedan bort och montera tillbaka slangen.

Montera tillbehör (bild H)

- ◆ Passa in klackarna på ångmunstycket (17) mot urspårningarna på tillbehöret.
- ◆ Tryck tillbehöret mot ångmunstycket (17) och vrid moturs tills tillbehöret klickar in på plats.

Viktigt! Alla tillbehör förutom SteaMitt™ (24), som har egen slang och kontaktdon (25), måste monteras på ångslangen (16) för användning.

Ta bort slang och tillbehör

Varning! Ångslangen (16), ångmunstycket (17) och tillbehören blir heta under användning. Låt enheten och samtliga tillbehör svalna innan du försöker ta bort någonting.

Ta bort ett tillbehör

- ◆ Vrid tillbehöret medurs och dra sedan bort det från slangen (16).

Ta bort slangen

- ◆ Tryck på ångslangens låsknapp (16a) på ångslangen (16) och dra bort den från den handhållna ångrengöraren.

SteaMitt™

Din BLACK+DECKER™ FSH10SM SteaMitt™ har konstruerats för sanering och rengöring av kakelplattor, arbetsbänkar, köksytor och badrumsytor. Denna apparat är endast avsett för inomhusbruk i hemmet.

Montera SteaMitt™-slangen på den handhållna ångrengöraren

Varning! Kontrollera packningen på ångmunstycket och slangen före varje användning. Om packningen saknas eller är skadad, ska du kontakta närmaste auktoriserade verkstad.

Använd inte apparaten. Kontrollera packningen på SteaMitt™ och slangen. Om packningen saknas, är skadad eller om ånga kommer ut, kontakta då din närmaste reparatör.

Använd inte apparaten. Se till att inget blockerar eller hindrar i SteaMitt™ slangen eller anslutningsslang. Om något upptäcks ska du kontakta närmaste auktoriserade verkstad.

Använd inte apparaten.

Montera en rengöringsdyna på SteaMitt™ (bild J)

Varning! Se till att inget blockerar eller hindrar ångutmatningsventilerna. Om något upptäcks kontakta då din närmaste auktoriserade reparatör. **Använd inte apparaten.**

- ◆ Montera rengöringsdynan (26) på SteaMitt™ (24) genom att fästa "öglan" av kardborreband (26a) på ovansidan av rengöringsdynan på "kroken" av kardborredynor (24a) på undersidan av SteaMitt™ (24). Tryck ned hårt.

Varning! SteaMitt™ ska inte användas utan monterad rengöringsdyna.

Notera: SteaMitt™ har plats för 4 typer av rengöringsdynor av olika tjocklekar. Skurdynor (för användning på tuffa fläckar och icke-ömtåliga ytor), badrumsdynor (för användning på kranar och andra gjutna badrumsytor), standarddynor (för användning på alla stora ytor) och poleringsdynor (för användning på ömtåliga ytor).

⚠ **Varning!** Använd alltid SteaMitt™ såsom visas i bild M, med handen i skyddshandsken.

Varning! Försök aldrig använda SteaMitt™ genom att

⚠ fatta tag i den utvändigt såsom visas i figur N. Detta leder till skällning.

⚠ **Varning!** Undvik att använda SteaMitt™ i tränga hörn såsom visas i figur O.

Varning! Skulle du stöta på problem under användningen, använd då snabblossningsfliken för att snabbt avlägsna SteaMitt™ från din hand såsom visas i bild P.

⚠ **Varning!** Använd inte SteaMitt™ på kallt glas typ fönster, eftersom skador kan uppstå genom den plötsliga temperaturförändringen.

⚠ **Varning!** Vänd eller rikta aldrig moppen mot dig själv eller någon annan person.

Notera: Skalan för variabel ånga kopplas bort när SteaMitt™ monteras och därefter är ångflödet begränsat.

Användning

Viktigt! Den här apparaten dödar 99,9 % av alla bakterier och baciller om den används enligt anvisningarna i den här manualen, har mikrofiberdynan monterad och körs kontinuerligt i 90 sekunder.

Slå på och stänga av

- ◆ Starta apparaten genom att trycka in strömbrytaren TILL/FRÅN (1). Det tar cirka 20 sekunder för ångmoppen att värmas upp.
- ◆ Stäng av apparaten genom att trycka in strömbrytaren TILL/FRÅN (1).

Notera: ha alltid din hand inuti SteaMitt™ innan du trycker på ångknappen.

Försiktighet! Lämna aldrig ångmoppen på samma plats på ytan under längre tid.

Förvara alltid ångmoppen så att handtaget (8) får stöd och befinner sig i upprätt läge och se till att ångmoppen är avstängd när den inte används.




Försiktighet! Töm alltid ångmoppen efter användningen.

Notera! När du fyller på vatten för första gången eller efter det att vattnet har tagit slut kan det ta upp till 45 sekunder innan ånga bildas.

Autoselect™-teknik (bild P)

Den här ångmoppen har en Autoselect™-ratt (2) som visar olika rengöringstillämpningar. De används för att välja rätt arbetssätt anpassat efter vad som ska rengöras.

Med Autoselect™ väljer du en av följande tillämpningar, genom att vrida på Autoselect™-ratten (2) tills önskad inställning har valts.

Inställning	Mopp	Handhållen
	Trälaminat	Lågt ångflöde ●
	Kakel/vinyl	Medium ångflöde ● ●
	Sten/marmor	Högt ångflöde ● ● ●

Ångmoppen väljer rätt ångmängd anpassat efter vad som ska rengöras.

Notera: Kontrollera alltid att du använder rätt inställning innan du använder ångmoppen.

Tips för optimal användning

Allmänt

Se upp: Använd aldrig ångmoppen utan att först montera en rengöringsdyna.

- ◆ Dammsug eller sopa alltid golvet innan du använder ångmoppen.
- ◆ Det enklaste sättet att använda apparaten är att luta handtaget 45° och sedan långsamt rengöra en liten yta åt gången.
- ◆ Använd enbart vatten utan tillsatser eller kemikalier till din ångmopp. Om du ska ta bort besvärliga fläckar från vinyl- eller linoleumgolv kan du förbehandla med ett mildt rengöringsmedel innan du använder ångmoppen.

Ångrengöring med moppen

- ◆ Fäst den handhållna ångrengöraren (5) på ångmoppen (11)
- ◆ Placera en rengöringsdyna (13) på golvet med kardborresidan upp.

- ◆ Tryck försiktigt ned ångmoppen på rengöringsdynan (13).
- ◆ Anslut ångmoppen till elnätet.
- ◆ Tryck på strömbrytaren TILL/FRÅN (1). Det tar cirka 15 sekunder för ångmoppen att värmas upp.
- ◆ Vrid på Autoselect™-ratten (2) tills önskad inställning har uppnåtts. Efter några sekunder börjar ånga strömma ut ur ånghuvudet.

Notera! När du fyller på vatten för första gången eller efter det att vattnet har tagit slut kan det ta upp till 45 sekunder innan ånga bildas.

- ◆ Det tar några sekunder för ångan att komma in i rengöringsdynan. Ångmoppen glider nu lätt över ytan som ska saneras/rengöras.
- ◆ Skjut och dra ångmoppen långsamt över golvet för en grundlig ångrengöring av varje sektion.
- ◆ När du har använt ångmoppen färdigt, ställ tillbaka handtaget (8) i upprätt läge, se till att det har stöd och stäng AV ångmoppen. Vänta tills ångmoppen har svalnat (ca. fem minuter).

Försiktighet! Det är viktigt att kontrollera vattennivån i vattenbehållaren. Om du vill fylla på vattenbehållaren och fortsätta saneringen/rengöringen ställer du tillbaka handtaget i vertikalt läge, ser till att det har stöd och stänger "Av" ångmoppen. Koppla bort enheten från eluttaget och fyll på vattenbehållaren.

Försiktighet! Lämna aldrig ångmoppen på samma plats på ytan under längre tid.

Förvara alltid ångmoppen så att handtaget (8) får stöd och befinner sig i upprätt läge och se till att ångmoppen är avstängd när den inte används.

Uppfräschning av matta

- ◆ Placera en rengöringsdyna (13) på golvet med kardborresidan uppåt.
- ◆ tryck försiktigt ned ångmoppen på rengöringsdynan.
- ◆ Placera mattglidskenan (12d) på golvet.
- ◆ Tryck försiktigt ned ångmoppen på mattglidskenan tills den klickar på plats.
- ◆ Anslut ångmoppen till elnätet.
- ◆ Tryck på strömbrytaren TILL/FRÅN (1). Det tar cirka 15 sekunder för ångmoppen att värmas upp.
- ◆ Vrid Autoselect™-ratten (2) till trä/laminat-läget.
- ◆ Skjut och dra ångmoppen försiktigt över mattan för en grundlig uppfreskning av varje avsnitt.
- ◆ När du har använt ångmoppen färdigt, ställ tillbaka handtaget (8) i upprätt läge, se till att det har stöd och stäng AV ångmoppen. Vänta tills ångmoppen har svalnat (ca. fem minuter).

Efter användning

- ◆ Vrid Autoselect™-ratten (2) till läge AV.
- ◆ Vänta tills ångmoppen har svalnat.
- ◆ Koppla bort ångmoppen från eluttaget.

- ◆ Töm vattentanken.
- ◆ Ta bort rengöringsdynan (13) och tvätta den så den är klar för nästa användning (var noga med att följa de på rengöringsdynan tryckta tvättråden).
- ◆ Vira upp nätkabeln runt krokarna på apparaten (7 och 9).
- ◆ Det finns en upphängningskrok (15) inbyggd i handtaget (6) som gör det möjligt att hänga upp ångmoppen på lämplig krok på väggen. Kontrollera alltid att kroken klarar ångmoppens tyngd.
- ◆ Handtaget innehåller också ett gummipropp som gör att din ångmopp kan vilas säkert mot en vertikal yta.

Handhållen ångrengöring

Varning! Enheten genererar ingen ånga, såvida den inte är ansluten till stommen (11) eller ångslangen (16) är monterad.

Varning! Får endast användas i horisontellt läge.

- ◆ Fäst önskat tillbehör.
- ◆ Anslut den handhållna ångrengöraren till elnätet.
- ◆ Tryck på strömbrytaren TILL/FRÅN (1). Det tar cirka 15 sekunder för ångmoppen att värmas upp.
- ◆ Vrid på Autoselect™-ratten (2) tills önskad inställning har uppnåtts. Efter några sekunder börjar ånga strömma ut ur ånghuvudet.

Notera! När du fyller på vatten för första gången eller efter det att vattnet har tagit slut kan det ta upp till 45 sekunder innan ånga bildas.

- ◆ När du slutat använda den handhållna ångrengöraren ska du vrida Autoselect™-ratten (2) till AV-läget. Stäng AV enheten genom att trycka på strömbrytaren TILL/FRÅN (1) och koppla bort den från elnätet. Vänta tills enheten svalnat innan du ställer undan den (ungefär fem minuter).

Tillbehör

vilka resultat du får med redskapet beror på vilka tillbehör du använder. Tillbehör från BLACK & DECKER håller hög kvalitet och är konstruerade för att fungera optimalt med redskapet. Med dessa tillbehör får du ut mesta möjliga av din utrustning.

Tekniska data

	Spänning	Energi	Behållarens kapacitet	Uppvärmningstid	Kabellängd	Vikt
	V_e	W	ml	(sek)	m	kg
FSMH1321			500	≤20	6	2,7
BHSM16BD	230	1600	500	≤20	6	2,8
BHSM16BU	230	1600	500	≤20	6	2,8
BHSM166DSM	230	1600	500	≤20	6	2,8
BHSM1615DSM	230	1600	500	≤20	7	2,9
BHSM1615DAM	230	1600	500	≤20	7	2,9
BHSM1615DSG	230	1600	500	≤20	8	2,9
BHSM168DSM	230	1600	500	≤20	8	2,9
BHSM169DSM	230	1600	500	≤20	8	2,9
BHSM1610DSM	230	1600	500	≤20	8	2,9

Felsökning

Om apparaten inte fungerar som den ska följer du instruktionerna nedan. Om problemet kvarstår kontaktar du närmaste BLACK+DECKER-verkstad.

Problem	Steg	Möjlig lösning
Ångmoppen startar inte	1.	Kontrollera att enheten är ansluten till vägguttaget.
	2.	Kontrollera att enheten är påslagen med strömbrytaren (1)
	3.	Kontrollera säkringen i kontakten.
Ångmoppen producerar ingen ånga	4.	Ångmoppen genererar enbart ånga om den handhållna ångrengöraren (5) är korrekt ansluten till moppstommen (11) eller ångslangen har monterats eller Autoselect™ ställts i läge TILL
	5.	Kontrollera att vattentanken är full. Notera: När du fyller på vatten för första gången eller efter det att vattnet har tagit slut kan det ta upp till 45 sekunder innan ånga bildas.
	6.	Kontrollera steg 1, sedan 2, sedan 3
Ångmoppen slutar producera ånga under användningen	7.	Kontrollera steg 4, sedan 5, sedan 3
Ångmoppen producerar för mycket ånga under användningen	8.	Vrid Autoselect™-ratten (2) moturs för att reducera mängden ånga som genereras
Ångmoppen producerar för litet ånga under användningen	9.	Vrid Autoselect™-ratten (2) medurs för att öka mängden ånga som genereras
Ingen ånga genereras från den handhållna ångrengöraren	10.	Kontrollera att Autoselect™-ratten (2) står i TILL-läget
	11.	Kontrollera steg 1, sedan 2, sedan 3
Den handhållna ångrengöraren producerar för litet ånga under användningen	12.	Vrid Autoselect™-ratten (2) medurs för att öka mängden ånga som genereras
	13.	Kontrollera steg 5
Den handhållna ångrengöraren producerar för mycket ånga under användningen	14.	Vrid Autoselect™-ratten (2) moturs för att reducera mängden ånga som genereras
Tillbehören ramlar av enheten	15.	Se monteringsavsnittet i handboken för korrekt montering av alla delar och tillbehör
Ånga tränger ut från oväntade områden på enheten	16.	Se monteringsavsnittet i handboken för korrekt montering av alla delar och tillbehör
Var kan jag få ytterligare information/ tillbehör	17.	www.blackanddecker.co.uk/steamopp www.blackanddecker.ie/steamopp

Underhåll och rengöring

Din BLACK+DECKER-apparaten är konstruerad för att fungera under lång tid med minsta möjliga underhåll. Kontinuerlig tillfredsställande drift beror på ordentlig apparatvård och regelbunden rengöring.

Varning! Stäng av apparaten och dra ut nätkontakten innan du utför underhåll på eller rengör den.

- ◆ Rengör apparaten regelbundet med en fuktig trasa.
- ◆ Svåra fläckar kan rengöras med en trasa fuktad med en mild tvålösning.

Skötsel av rengöringsdynorna

Tvättråd - Dynor kan tvättas vid 60 °C. Använd inte sköljmedel. Låt alltid torka helt innan du använder igen.

Försiktighet! Följ rengöringsinstruktionerna som är tryckta på rengöringsdynans etikett.

Byte av elkontakten (endast Storbritannien och Irland)

Om en ny elkontakt måste monteras:

- ◆ Gör dig av med den gamla kontakten på lämpligt sätt.
- ◆ Anslut den bruna ledningen till den strömförande anslutningen i den nya kontakten.
- ◆ Anslut den blå ledningen till den icke strömförande anslutningen.
- ◆ Anslut den gröna/gula ledningen till jordanslutningen.

Varning! Följ de monteringsanvisningar som följer med kontakter av god kvalitet. Rekommenderad säkring: 13A.

Skydda miljön



Separat insamling. Produkter och batterier som är markerade med denna symbol får inte kastas i de vanliga hushållssoporna

Produkter och batterier innehåller material som kan återanvändas eller återvinnas för att minska behovet av råmaterial. Återvinn elektriska produkter och batterier enligt lokala föreskrifter.

Mer information finns tillgänglig på www.2helpU.com

Garanti

Black & Decker är säker på kvaliteten hos denna produkt och erbjuder kunder 24 månaders garanti från inköpsdatumet. Denna garanti är ett tillägg till dina lagstadgade rättigheter och påverkar inte dessa på något sätt. Garantin är giltig i de områden som tillhör medlemsstaterna i Europeiska unionen och det europeiska frihandelsområdet.

För yrkande under garantin måste yrkandet vara in enlighet med Black&Deckers villkor och du kommer att behöva skicka in bevis på köpet till försäljaren eller en auktoriserad reparatör. Villkoren för Black&Deckers tvååriga garanti och var du hittar din närmaste auktoriserade reparatör kan erhållas på internet på www.2helpU.com, eller genom att kontakta ditt lokala Black & Decker kontor på adressen som angetts i denna bruksanvisning.

Besök vår webbplats www.blackanddecker.se för att registrera din nya Black & Decker-produkt samt för att få information om nya produkter och specialerbjudanden.

Tiltenkt bruk

BLACK+DECKER™ FSMH1321, BHSM166DSM, BHSM168D, BHSM168DSM, BHSM168U, BHSM169DSM, BHSM1610DSM, BHSM1615DSM, BHSM1615DSG, BHSM1615DAM dampmopper er utformet for å rense og rengjøre gulv med forseglet hardtre, forseglet laminat, linoleum, vinyl, keramiske fliser, stein og marmor og for å friske opp tepper. Produktet er bare beregnet for innendørs bruk i hjemmet.

Sikkerhetsinstruksjoner



Advarsel! Les alle sikkerhetsadvarsler og alle instruksjoner. Hvis advarslene og anvisningene nedenfor ikke overholdes, kan det medføre elektrisk støt, brann og/eller alvorlige personskader.



Advarsel! Når du bruker apparater som drives med strøm fra nettet, må grunnleggende sikkerhetsforholdsregler, inkludert punktene som er beskrevet under, alltid følges for å redusere risikoen for brann, elektrisk støt, personskade og skade på materiell.

- ◆ Beregnet bruk er beskrevet i denne håndboken.
- ◆ Hvis du bruker annet tilbehør eller kobler til annet utstyr eller bruker dette apparatet til andre oppgaver enn det som er anbefalt i denne håndboken, kan det føre til fare for personskade.
- ◆ Ta vare på denne bruksanvisningen for fremtidig bruk.

Bruke produktet

- ◆ Ikke rett damp mot mennesker, dyr, elektriske apparater eller stikkontakter.
- ◆ Ikke utsett det for regn.

- ◆ Ikke senk apparatet ned i vann.
- ◆ Ikke la apparatet være uten tilsyn.
- ◆ Ikke la produktet være koblet til en stikkontakt når det ikke er i bruk.
- ◆ Ikke dra i strømledningen når du skal koble produktet fra stikkontakten. Hold ledningen til produktet borte fra varmekilder, olje og skarpe kanter.
- ◆ Ikke håndter damprensjøringsutstyret med våte hender.
- ◆ Ikke trekk eller bær produktet i ledningen, ikke bruk ledningen som håndtak, ikke lukk døren over ledningen, ikke trekk ledningen rundt skarpe hjørner, og ikke utsett ledninger for varme overflater.
- ◆ Ikke bruk produktet i et lukket rom der det er damp fra oljebasert malingstynner, visse møllmidler, antenkelig støv eller annen eksplosiv eller giftig damp.
- ◆ Undersøk gulvtypen hos produsenten.
- ◆ Skal ikke brukes på lær, møbler eller gulv polert med voks eller på syntetiske stoffer eller andre sårbare materialer som er følsomme overfor damp.



Advarsel! Må ikke brukes på tre eller laminatgulv som ikke er forseglet. Overflater som er blitt behandlet med voks, og noen gulv uten voks, kan miste glansen på grunn av virkningen av varmen og dampen.

Vi anbefaler at du alltid prøver å rengjøre en begrenset del av overflaten før du fortsetter. Vi anbefaler også at du setter deg inn i gulvprodusentens instruksjoner for bruk og vedlikehold.

- ◆ Ha aldri produkter for fjerning av belegg, aromatiske eller alkoholholdige produkter eller vaskemidler i damprensjøringsutstyret, da dette kan skade utstyret eller gjøre det utrygt å bruke.
- ◆ Hvis sikringen hjemme utløses mens du bruker dampfunksjonen, må du slutte å bruke produktet straks og kontakte kundeservice. (Vær klar over risikoen for elektrisk støt.)
- ◆ Utstyret slipper ut svært varm damp for å rense bruksområdet. Dette betyr at damphodet, rengjøringsputene og teppeutrustningen blir svært varme under bruk.

Forsiktig! Bruk alltid egnede sko når du bruker dampmoppen, og når du bytter tilbehør på dampmoppen. Ikke bruk tøfler eller fottøy med åpne tær.

- ◆ Lokket kan bli varmt under bruk.
- ◆ Det kan komme damp ut av produktet under bruk. Vis varsomhet når du bruker produktet. IKKE BERØR deler som kan bli varme under bruk.
- ◆ Slå produktet av, og sett håndtaket i stående stilling før du fjerner vanntanken.

- ◆ Hvis du ser at det kommer damp ut av hoveddelen til den håndholdte dampenheten, skal du slå den av, koble enheten fra nettstrømmen og la den bli avkjølt. Kontakt nærmeste autoriserte serviceverksted. Ikke fortsett å bruke produktet.

Etter bruk

- ◆ Koble produktet fra strømmen, og la det avkjøles før det rengjøres.
- ◆ Når produktet ikke er i bruk, skal det oppbevares på et tørt sted.
- ◆ Barn skal ikke ha tilgang til apparater som oppbevares.

Kontroll og reparasjon

- ◆ Koble produktet fra stikkkontakten, og la det avkjøles før du utfører vedlikehold eller reparasjoner.
- ◆ Kontroller at maskinen ikke er skadet eller har defekte deler før du bruker det. Undersøk om brytere eller andre deler er skadet, eller om det er andre forhold som kan påvirke bruken.
- ◆ Kontroller jevnlig om strømledningen er skadet.
- ◆ Ikke bruk produktet hvis noen del er skadet eller defekt.
- ◆ Overlat reparasjon eller utskifting av skadde eller defekte deler til et autorisert serviceverksted.
- ◆ Forsøk aldri å fjerne eller skifte ut andre deler enn dem som er oppgitt i denne håndboken.

Andre personers sikkerhet

- ◆ Dette apparatet kan brukes av personer som har reduserte fysiske, sansemessige eller mentale evner, eller som mangler erfaring og kunnskap, hvis de har tilsyn eller har fått veiledning i bruk av apparatet på en trygg måte og forstår farene som foreligger. Barn skal ikke leke med apparatet.
- ◆ Barn må holdes under oppsyn, sørg for at de ikke leker med apparatet.
- ◆ Støpselet skal tas ut av stikkkontakten før rengjøring eller vedlikehold av apparatet.
- ◆ Væske eller damp må ikke rettes mot utstyr som inneholder elektriske komponenter, slik som innsiden av ovner.
- ◆ Apparatet må ikke være uten tilsyn når det er tilkoblet strømmettet.
- ◆ Apparatet skal ikke brukes om det har falt i gulvet, om det finnes synlige tegn på skade eller hvis det lekker.
- ◆ Hold apparatet unna barn når det er koblet til strøm eller når det kjøles ned.
- ◆ Pek eller rett aldri dampvotten mot deg selv eller andre personer.
- ◆ Vær forsiktig når du bruker apparatet på grunn av utslipp av damp.
- ◆ Koble fra støpselet under fylling og rengjøring.
- ◆ Stoffdampen må ikke stå uten tilsyn mens den er koblet til strømmettet.
- ◆ Stoffdamperen skal ikke brukes hvis den er falt, hvis det er synlige tegn på skade eller hvis det lekker.

- ◆ hold stoffdamperen og ledningen utenfor rekkevidde for barn under 8 år når det er strøm eller kjøles ned

Restrisikoer

Når verktøyet brukes, kan det oppstå ytterligere risikoer som kanskje ikke er beskrevet i de medfølgende sikkerhetsadvarslene. Disse risikoene kan bli forårsaket av feil bruk, langvarig bruk osv.

Selv om de relevante sikkerhetsbestemmelsene blir fulgt, og sikkerhetstiltakene blir gjennomført, kan visse gjenværende risikoer ikke unngås. Disse inkluderer:

- ◆ Personskader som forårsakes av berøring av en bevegelig del.
- ◆ Personskader som forårsakes av berøring av en varm del.
- ◆ Personskader som forårsakes av at en del eller tilbehør byttes.
- ◆ Personskader som forårsakes av langvarig bruk av produktet. Når du bruker et produkt i lange perioder, må du sørge for å ta regelmessige pauser.

Elektrisk sikkerhet



Advarsel! Advarsel! Dette produktet må jordes. Kontroller alltid at strømforsyningen samsvarer med spenningen på merkeskiltet.

Støpselet må passe i stikkkontakten. Aldri modifier støpselet på noen måte. Umodifiserte støpsler og stikkontakter som passer vil redusere risikoen for elektrisk støt

- ◆ Hvis strømledningen blir skadet, må den byttes av produsenten eller et autorisert BLACK+DECKER-servicesenter for å unngå fare.

Skjøteledninger og klasse 1-produkt

- ◆ Det må brukes kabel med 3-kjerne, ettersom apparatet er jordet og en konstruksjon i klasse 1.
- ◆ Bruk alltid en godkjent skjøteledning som passer til inngangseffekten for dette verktøyet (se tekniske data). Opptil 30 m 2 x 1,5 mm² skjøteledning kan brukes uten tap av ytelse for produktet. Før bruk må du undersøke skjøteledningen for tegn på skade, slitasje og aldring. Bytt skjøteledningen hvis den er skadet eller defekt. Vikle alltid ut kablen fullstendig når du bruker en kabeltrommel.

Produktmerking

De følgende symbolene sammen med datokode vises på apparatet.



FORSIKTIG! Varm damp



Vann drypper om du snur den opp-ned



Det kommer damp ut på alle kanter



Ikke la den være uten tilsyn med små barn til stede



Kun for håndvask



FORSIKTIG! Varm
overflate

Funksjoner

Dette apparatet har noen av eller alle funksjonene nedenfor.

1. På-/av-bryter
2. Autoselect™-hjul
3. Håndtak, håndholdt dampvasker
4. Påfyllingslokk
5. Håndholdt dampvasker
6. Håndtak
7. Øvre kabelfestekrok
8. Hovedhåndtak
9. Nedre kabelfestekrok
10. Låseknapp, håndholdt dampvasker
11. Hoveddel
12. Gulvmunnstykke
- 12a. Gulvmunnstykke med uttakbar trekantstykke
- 12b. Trekkanthode
- 12c. Damphode løснеknast
- 12d. Teppeglider (for bruk på tepper)
13. Gulvrensjøringspute
14. Låseknapp, gulvrensjøringspute
15. Opphengsbrakett
16. Dampslange
17. Dampmunnstykke
18. Vinkelbørste tilbehør (for bruk på hardnakkede flekker)
- 18a. Vinkelbørste (ståltrådbørste)
19. Børsteverktøy (for på fliser/støp)
20. Ekstra nal (for bruk på dusjkabinetter/glass/vinduer/ speil/klær/møbeltrekk)
- 20a. Nalstrømpe
21. Stor ekstra nal (for bruk på dusjkabinetter/glass/ vinduer/speil/klær/møbeltrekk)
- 21a. Stor nalstrømpe
22. Dampbørsteenhet
- 22a. Dampstøt ståltrådbørste (for bruk på grill/ovn)
- 22b. Dampstøt børste (for bruk på grill/ovn/kokeplater/ kranser/støp)
- 22c. Bred dampstøt børste (for bruk på store flater)
23. Rengjøringspute til trekkanthode.
24. SteaMitt™
25. SteaMitt™ slange
26. SteaMitt™ rengjøringspute
27. SteaMitt™ rengjøringspute 2
28. Ultra-sugende gulvrensjøringspute
29. Stor børste med innebygget skraper

Konfigurasjon

	F S M H 1 3 2 1	B H S M 1 6 8 D	B H S M 1 6 8 U	B H S M 1 6 6 D S M	B H S M 1 6 8 D S M	B H S M 1 6 9 D S M	B H S M 1 6 1 0 D S M	B H S M 1 6 1 5 D S M	B H S M 1 6 1 5 D S G	B H S M 1 6 1 5 D A M	S E T T I N G S
12	✓										Alle
12a		✓	✓	✓	✓	✓	✓	✓	✓	✓	Alle
12d		✓	✓	✓	✓	✓	✓	✓	✓	✓	Alle
13	✓	✓	✓	✓	✓	✓	✓	✓	✓	✓	Alle
16	✓	✓	✓	✓	✓	✓	✓	✓	✓	✓	Alle
18	✓	✓	✓	✓	✓	✓	✓	✓	✓		*
18a						✓		✓			***
19	✓	✓	✓	✓		✓	✓	✓	✓		***
20	✓			✓	✓		✓				*
20a	✓			✓	✓		✓				*
21		✓	✓			✓		✓	✓	✓	*
21a						✓		✓	✓	✓	*
22					✓		✓			✓	Alle
22a					✓		✓			✓	Alle
22b					✓		✓			✓	Alle
22c					✓		✓			✓	Alle
23		✓	✓	✓	✓	✓	✓	✓	✓	✓	Alle
24				✓	✓	✓	✓	✓	✓	✓	Alle
25				✓	✓	✓	✓	✓	✓	✓	Alle
26				✓	✓	✓	✓	✓	✓	✓	Alle
27								✓	✓	✓	Alle
28								✓	✓	✓	Alle
29								✓	✓		Alle

Montering



Advarsel! Før du utfører noen av fremgangsmåtene nedenfor, må du sikre at produktet er slått av, at støpselet er trukket ut, og at produktet er avkjølt og ikke inneholder vann.

Sette på håndtaket (figur A)

- ◆ Skyv den nedre delen av håndtaket (8) inn i den øvre delen av dampmoppenheten (11) til det klikker på plass.

Sette på den håndholdte dampenheten (Fig. B)

- ◆ Hold på baksiden av dampmoppenheten (11), og trykk den håndholdte dampenheten (5) inn i dampmoppenheten (11), pass på at den sitter korrekt på grensesnittet (11a) og klikker på plass.

Ta av den håndholdte dampenheten (figur B)

- ◆ Skyv låseknappen (10) på hovedenheten (11) og løft dampvaskeren (5) av grensesnittet (11a) og av hovedenheten (11).

Sette på en rengjøringspute (figur C)

Ekstra rengjøringsputer får du hos din BLACK+DECKER-forhandler (artikkelnummer FSMP20-XJ).

- ◆ Plasser en rengjøringspute (13) på gulvet med festesiden av borrelåsen opp.
- ◆ Trykk dampmoppen forsiktig ned på rengjøringsputen (13).

Merk: Denne enheten kan leveres med et standard rengjøringshode for gulv (12) eller et dampstøt-hode (12a). Disse instruksene gjelder begge varianter.

Forsiktig! La aldri dampmoppen være på ett sted noen tid. Plasser alltid dampmoppen på hvilematten med håndtaket (8) i stående stilling når den er i ro, og pass på at dampmoppen er slått av når den ikke er i bruk.

Fjerne rengjøringspute

Forsiktig! Bruk alltid egnede sko når du bytter rengjøringspute på dampmoppen.

Ikke bruk tøfler eller fottøy med åpne tær.

- ◆ Sett håndtaket (8) i stående stilling igjen, og slå dampmoppen "AV".
- ◆ Vent til dampenheten er avkjølt før du setter den til oppbevaring (omtrent 5 minutter).
- ◆ Løft dampmoppen vekk fra rengjøringsputen ved å løsne borrelåsen.

Forsiktig! La aldri dampmoppen være på ett sted noen tid. Plasser alltid dampmoppen på hvilematten med håndtaket (8) i stående stilling når den er i ro, og pass på at dampmoppen er slått av når den ikke er i bruk.

Fylle vanntanken (figur O)

Merk! Fyll vanntanken med rent vann fra kranen (ikke bruk tilsetninger eller kjemikalier).

Merk! I områder med hardt vann anbefales bruk av avionisert vann.

- ◆ Åpne påfyllingslokket (4) ved å vippe det opp.
- ◆ Fyll vanntanken med vann (Ikke bruk tilsetningsstoffer eller kjemikalier/chemicals).

Advarsel! Ved fylling, løsne fra hovedenheten og hold i horisontal stilling.

Advarsel! Vanntanken tar 0,5 liter. Ikke fyll for mye på tanken.

- ◆ Lukk fyllingslokket (4) igjen.

Merk! Pass på at påfyllingslokket er satt på riktig.

Feste teppeglider (12d) (bare til bruk på tepper)

- ◆ Plasser teppeglideren (12d) på gulvet.
- ◆ Fest en rengjøringspute til gulvrenngjøringshodet (12, 12a)

- ◆ Trykk dampmoppen forsiktig ned på teppeglideren (12d) til den klikker på plass.

Forsiktig! La aldri dampmoppen være på ett sted noen tid. Plasser alltid dampmoppen på hvilematten med håndtaket (8) i stående stilling når den er i ro, og pass på at dampmoppen er slått av når den ikke er i bruk.

Fjerne teppeglideren

Forsiktig! Bruk alltid egnede sko når du tar teppeglideren av dampmoppen. Ikke bruk tøfler eller fottøy med åpne tær.

- ◆ Sett håndtaket (8) i stående stilling igjen, og slå dampmoppen "AV".
- ◆ Vent til dampenheten er avkjølt før du setter den til oppbevaring (omtrent 5 minutter).
- ◆ Plasser skotuppen på klaffen for fjerning av teppeglideren, og trykk bestemt nedover.
- ◆ Løft dampmoppen opp og bort fra teppeglideren.

Forsiktig! La aldri dampmoppen være på ett sted noen tid. Plasser alltid dampmoppen på hvilematten med håndtaket (8) i stående stilling når den er i ro, og pass på at dampmoppen er slått av når den ikke er i bruk.

Trekanthode (Fig. D)

Denne dampmoppen har et innebygd trekanthode som gjør det mulig å komme til i hjørner og trange områder. **Forsiktig!** Bruk alltid egnede sko når du er i kontakt med trekanthodet på dampmoppen. Ikke bruk tøfler eller fottøy med åpne tær.

- ◆ Slå dampmoppen "AV"
- ◆ Vent til dampenheten er avkjølt før du setter den til oppbevaring (omtrent fem minutter).
- ◆ Plasser skotuppen på klaffen (12c) for fjerning av damphodet, og trykk forsiktig nedover.
- ◆ Løft trekanthodet (12b) opp og bort fra damphodet (12a)
- ◆ Sett på plass rengjøringsputen for trekanthodet under trekanthodet.

Merk: Ta av rengjøringsputen før du setter på igjen trekant hodet på damphodet.

- ◆ Når du skal sette trekanthodet på plass igjen, setter du tuppen av trekanthodet inn i damphodet og trykker bestemt nedover. Pass på at trekanthodet klikker på plass.

Sette slange og tilbehør på den håndholdte dampenheten (figur G - M)

Advarsel! Inspiser pakningen mellom koblingspunktet på den håndholdte dampvaskeren (5) og dampslangen (16) før hver bruk. Hvis pakningen mangler eller er skadet, må du kontakte nærmeste autoriserte serviceverksted. Ikke bruk produktet.

Feste slangen

- ◆ Trykk på låseknappen (16a) på dampslangen (16).
- ◆ Koble dampslangen (16) til den håndholdte dampvaskeren (5) og løsne låseknappen på dampslangen (16a), pass på at den klikker på plass.

Viktig! Sørg for at slangen (16) er sikkert festet før du bruker den håndholdte dampenheten (5). Dersom det kommer damp ut ved åpningen, er ikke slangen korrekt festet. Slå enheten av, og la den avkjøles før du tar av og setter på igjen slangen.

Sette på tilbehør (Fig. H)

- ◆ Plasser tappene på slangen (17) mot sporene i tilbehøret.
- ◆ Trykk tilbehøret inn på dampmunnstykket (17), og vri mot klokken til tilbehøret klikker på plass.

Viktig! Alt tilbehør unntatt SteaMitt™ (24), som har sin egen slange og kobling (25), må kobles til dampslangen (16) for bruk.

Ta av slange og tilbehør

Advarsel! Dampslangen (16), dampdysen (17) og tilbehør blir varme ved bruk. La enheten og alt tilbehør avkjøles før du tar av tilbehør.

Ta av tilbehør

- ◆ Drei tilbehøret med klokken, og trekk det deretter bort fra slangen (16).

Ta av slangen

- ◆ Trykk låseknappen (16a) på dampslangen (16) og trekk den ut fra den håndholdte dampvaskeren.

SteaMitt™

Dampvaskeren BLACK+DECKER™ SteaMitt™ er designet for rensing og rengjøring av fliser, arbeidsbenker og overflater i kjøkken og badrom. Produktet er bare beregnet for innendørs bruk i hjemmet.

Sette på SteaMitt™ slangen på den håndholdte dampvaskeren

Advarsel! Kontroller pakningen på dampmunnstykket og slangen før hver bruk. Hvis pakningen mangler eller er skadet, må du kontakte nærmeste autoriserte serviceverksted.

Ikke bruk produktet. Inspiser pakningen på SteaMitt™ og slangen. Dersom pakningen mangler, er skadet eller det lekker ut damp, vennligst kontakt ditt nærmeste autoriserte reparasjonsverksted. **Ikke bruk produktet.** Pass på at det ikke er noen blokkering eller hindring i SteaMitt™-slangen eller tilkoblingsslangen. Hvis det er noen, må du kontakte nærmeste autoriserte serviceverksted. **Ikke bruk apparatet.**

Feste rengjøringspute til SteaMitt™ (figur J)

Advarsel! Pass på at det ikke er noen blokkering eller hindring i dampåpningene. Hvis det er noen, må du kontakte nærmeste autoriserte serviceverksted. **Ikke bruk produktet.**

- ◆ Sett rengjøringsputen (26) på SteaMitt™ (24) ed å feste borrelåsene (26a) på oversiden av rengjøringsputen på borrelåsen (24a) på undersiden av SteaMitt™ (24). Trykk godt ned.

Advarsel! SteaMitt™ skal ikke brukes uten å sette på en rengjøringspute.

Merk: SteaMitt™ kan bruke 4 typer rengjøringsputer med ulik tykkelse. Skrubbepute (for bruk på standhaftige flekker og røffe overflater), baderompute (for bruk på kraner og andre krumme overflater på badet), standard pute (for bruk på alle store overflater) og poleringspute (for bruk på ømfintlige overflater).

⚠ **Advarsel!** Bruk alltid SteaMitt™ som vist i figur M, med hånden inne i hansken.

⚠ **Advarsel!** Prøv aldri å bruke SteaMitt™ ved å gripe den utvendig som vist i figur N. Dette vil føre til brannskader.

⚠ **Advarsel!** Unngå å bruke SteaMitt™ i trange hjørner som vist i figur O.

⚠ **Advarsel!** Dersom det oppstår et problem under bruken, bruk hurtiglåsen for raskt å løse SteaMitt™ fra hånden, som vist i figur P.

⚠ **Advarsel!** Ikke bruk SteaMitt™ på kaldt glass som vinduer, det kan oppstå skader ved den brå temperaturendringen.

⚠ **Advarsel!** Pek eller rett aldri dampvotten mot deg selv eller andre personer.

Merk: Skiven for styring av damp er frakoblet når SteaMitt™ er tilkoblet, og derfor er damptilførselen begrenset.

Bruk

Viktig! Denne enheten dreper 99,9 % av mikrober inkludert bakterier når den brukes i samsvar med denne håndboken, mikrofiberputen er satt på, og enheten brukes kontinuerlig i 90 sekunder.

Slå på og av

- ◆ Når du skal slå apparatet på, trykker du på AV/PÅ-bryteren (1). Det tar ca. 20 sekunder til dampmoppen er oppvarmet.
- ◆ Når du skal slå apparatet av, trykker du på AV/PÅ-bryteren (1).

Merk: Ha alltid hånden i SteaMitt™ før du trykker på dampknappen.

Forsiktig! La aldri dampmoppen være på ett sted noen tid. Plasser alltid dampmoppen på hvilematten med håndtaket (8) i stående stilling når den er i ro, og pass på at dampmoppen er slått av når den ikke er i bruk.

Forsiktig! Tøm alltid dampmoppen etter bruk.

Merk! Ved første fylling eller etter at den har gått tom, kan det ta opptil 45 sekunder før det lages damp.

Autoselect™-teknologi (figur P)

Denne dampmoppen har et Autoselect™-hjul (2) som viser ulike rengjøringsanvendelser. De brukes til å velge riktig innstilling for den bestemte rengjøringsoppgaven.

Med Autoselect™ kan du velge mellom bruksområdene nedenfor ved å vri på Autoselect™-hjulet (2) til den ønskede innstillingen er oppnådd.

Innstilling	Mopp	Håndholdt
	Tre/laminat	Lav dampstrøm ●
	Fliser/vinyl	Middels dampstrøm ● ●
	Stein/marmor	Høy dampstrøm ● ● ●

Dampmoppen vil velge riktig dampvolum for den bestemte rengjøringsoppgaven.

Merk: Kontroller alltid at du bruker riktig innstilling før du bruker dampmoppen.

Råd for optimal bruk

Generelt

Forsiktig: Bruk aldri dampmoppen uten å sette på rengjøringsputen først.

- ◆ Du må alltid støvsuge eller feie gulvet før du bruker dampmoppen.
- ◆ Den enkleste måten å bruke produktet på er å la håndtaket helle 45° vinkel og rengjøre langsomt, et lite område av gangen.
- ◆ Bruk kun vann uten tilsetninger eller kjemikalier med dampmoppen. Når du skal fjerne vanskelige flekker fra vinyl- eller linoleumsgulv, kan du forbehandle det med et mildt rengjøringsmiddel og litt vann før du bruker dampmoppen.

Damprengjøring med moppen

- ◆ Sett den håndholdte dampenheten (5) i dampmoppenheten (11)
- ◆ Plasser en rengjøringspute (13) på gulvet med festesiden av borrelåsen opp. velcro 'loop' side facing up.
- ◆ Trykk dampmoppen forsiktig ned på rengjøringsputen (13).
- ◆ Koble dampmoppen i stikkkontakten.
- ◆ Trykk på AV/PÅ-knappen (1). Det tar ca. 15 sekunder til dampmoppen er oppvarmet.
- ◆ Vri Autoselect™ hjulet (2) til ønsket innstilling er nådd. Etter noen få sekunder begynner det å komme damp ut av damphodet.

Merk! Ved første fylling eller etter at den har gått tom, kan det ta opptil 45 sekunder før det lages damp.

- ◆ Det tar noen få sekunder før dampen kommer inn i rengjøringsputen. Dampmoppen glir nå lett over overflaten som skal renses/rengjøres.
- ◆ Skyv og trekk dampmoppen langsomt over gulvet for å rengjøre alle deler grundig med dampen.
- ◆ Når du er ferdig med å bruke dampmoppen, sett håndtaket (8) rett opp, pass på at den står stødig og slå den "AV". Vent til dampmoppen er avkjølt (omtrent fem minutter).

Forsiktig! Det er viktig å holde øye med vannivået i vanntanken. Når du skal fylle på vanntanken og fortsette å rens/rengjøre, setter du håndtaket i stående stilling og slår dampmoppen AV. Trekk støpselet ut av stikkkontakten, og fyll vanntanken igjen.

Forsiktig! La aldri dampmoppen være på ett sted noen tid. Plasser alltid dampmoppen på hvilematten med håndtaket (8) i stående stilling når den er i ro, og pass på at dampmoppen er slått av når den ikke er i bruk.

Oppfrisking av tepper

- ◆ Plasser en rengjøringspute (13) på gulvet med festesiden av borrelåsen opp.
- ◆ Trykk dampmoppen forsiktig ned på rengjøringsputen.
- ◆ Plasser teppeglideren (12d) på gulvet.
- ◆ Trykk dampmoppen forsiktig ned på teppeglideren til den klikker på plass.
- ◆ Koble dampmoppen til strømforsyningen.
- ◆ Trykk på AV/PÅ-knappen (1). Det tar ca. 15 sekunder til dampmoppen er oppvarmet.
- ◆ Drei™-hjulet (2) til innstillingen for tre/laminat.
- ◆ Skyv og trekk dampmoppen langsomt over teppet for å friske opp alle deler grundig med dampen.
- ◆ Når du er ferdig med å bruke dampmoppen, sett håndtaket (8) rett opp, og slå den AV. Vent til dampmoppen er avkjølt (omtrent fem minutter).

Etter bruk

- ◆ Drei Autoselect™-hjulet (2) til AV-posisjon.
- ◆ Vent til dampmoppen er avkjølt.
- ◆ Ta støpselet til dampmoppen ut av stikkkontakten.
- ◆ Tøm vanntanken.
- ◆ Ta av rengjøringsputen (13), vask den så den er klar for neste bruk (pass på å følge vaskeanvisningen som er trykket på rengjøringsputen).
- ◆ Vikle strømledningen rundt kabelfestekrokene (7 og 9).
- ◆ Alternativt kan du benytte en hengebrakett (15) som er bygd inn i håndtaket (6), og som gjør det mulig å henge dampmoppen fra en passende krok på veggen. Pass alltid på at veggkroken trygt kan bære vekten av dampmoppen.
- ◆ Håndtaket har også en gummiknott som lar deg hvile dampmoppen stødig mot en vertikal flate, vegg.

Rengjøring med håndholdt enhet

Advarsel! Enheten vil ikke produsere damp uten at det er koblet til hovedenheten (11) eller dampslangen (16) er satt på.

Advarsel! Skal kun brukes i horisontal posisjon.

- ◆ Sett på ønsket tilbehør.
- ◆ Koble den håndholdte dampenheten til strømmen.
- ◆ Trykk på AV/PÅ-knappen (1). Det tar ca. 15 sekunder til dampmoppen er oppvarmet.
- ◆ Vri Autoselect™-hjulet (2) til ønsket innstilling er nådd. Etter noen få sekunder begynner det å komme damp ut av damphodet.

Merk! Ved første fylling eller etter at den har gått tom, kan det ta opptil 45 sekunder før det lages damp.

- ◆ Når du er ferdig å bruke den håndholdte dampvaskeren, sett Autoselect™-hjulet (2) til AV. Slå AV enheten ved å trykke på AV/PÅ-knappen (1) og koble fra strømmen. Vent til enheten kjøler seg ned før du setter den vekk (omtrent fem minutter).

Tilbehør

Produktets ytelse avhenger av tilbehøret du bruker.

Tilbehør fra BLACK & DECKER er produsert etter høye kvalitetsstandarder og er konstruert for å bedre produktets ytelse. Hvis du bruker dette tilbehøret, får du mest mulig ut av utstyret ditt.

Tekniske data

	Spenning	Pålav	Tankekapasitet	Oppvarmingstid	Kabel lengde	Vekt
	V _e	W	ml	sekunder	m	kg
FSMH1321	230	1600	500	≤20	6	2,7
BHSM168D	230	1600	500	≤20	6	2,8
BHSM168U	230	1600	500	≤20	6	2,8
BHSM166DSM	230	1600	500	≤20	6	2,8
BHSM161SDSM	230	1600	500	≤20	7	2,9
BHSM161SDAM	230	1600	500	≤20	7	2,9
BHSM161SDSG	230	1600	500	≤20	8	2,9
BHSM168DSM	230	1600	500	≤20	8	2,9
BHSM169DSM	230	1600	500	≤20	8	2,9
BHSM1610DSM	230	1600	500	≤20	8	2,9

Feilsøking

Hvis apparatet ikke fungerer som det skal, følger du instruksjonene nedenfor. Hvis problemet ikke løses, kontakter du ditt lokale BLACK+DECKER-serviceverksted.

Problem	Trinn	Mulig løsning
Dampmoppen slår seg ikke på	1.	Kontroller at enheten er koblet til stikkkontakten.
	2.	Kontroller at enheten er slått på med PÅ/AV knappen (1)
	3.	Kontroller sikringen i støpselet.

Problem	Trinn	Mulig løsning
Dampmoppen produserer ikke damp	4.	Dampmoppen vil bare produsere damp dersom dampvotten (5) festet korrekt til hoveddelen (11) og dampslangen er koblet til Autoselect™ og slått på
	5.	Kontroller at vanntanken er full. Merk: Ved første fylling eller etter at den har gått tom, kan det ta opptil 45 sekunder før det lages damp.
	6.	Kontroller trinn 1, så 2 og deretter 3
Dampmoppen stopper å lage damp under bruk	7.	Kontroller trinn 4, så 5 og deretter 3
Dampmoppen lager for lite damp under bruk	8.	Drei Autoselect™-hjulet (2) mot klokken for å redusere mengden damp som produseres
Dampmoppen lager for lite damp under bruk	9.	Drei Autoselect™-hjulet (2) med klokken for å øke mengden damp som produseres
Det produseres ikke damp fra den håndholdte dampvaskeren	10.	Drei Autoselect™-hjulet (2) til PÅ-posisjon
	11.	Kontroller trinn 5, så 1, så 2 og deretter 3
Den håndholdte dampvaskeren lager for lite damp under bruk	12.	Drei Autoselect™-hjulet (2) med klokken for å øke mengden damp som produseres
	13.	Kontroller trinn 5
Den håndholdte dampvaskeren lager for mye damp under bruk	14.	Drei Autoselect™-hjulet (2) mot klokken for å redusere mengden damp som produseres
Tilbehøret faller stadig av enheten	15.	Se avsnittet om montering for korrekt montering av deler og tilbehør
Damp kommer ut på uventede steder på apparatet	16.	Se avsnittet om montering for korrekt montering av deler og tilbehør
Hvor kan jeg finne mer informasjon/tilbehør	17.	www.blackanddecker.co.uk/steammop www.blackanddecker.ie/steammop

Vedlikehold og rengjøring

Det nettdrevne BLACK+DECKER-produktet er konstruert for å være i drift over lengre tid med et minimum av vedlikehold. Kontinuerlig tilfredsstillende bruk avhenger av ordentlig stell av apparatet og regelmessig renhold.

Advarsel! Før du utfører noe vedlikehold på eller rengjøring av nettdrevne produkter, må du slå av produktet og koble fra strømmen.

- ◆ Tørk av produktet med en myk, fuktig klut.
- ◆ Til vanskelige flekker kan du bruke mildt såpevann for å fukte kluten.

Behandling av rengjøringsputer

Vaskeanvisninger - Puter kan vaskes ved 60°C. Ikke bruk tøymykner. Skal få tørke helt før du bruker dem igjen.

Forsiktig! Følg vaskeanvisningene som er trykt på merket på rengjøringsputen.

Skifte støpsel (bare Storbritannia og Irland)

Dersom du trenger å sette på et nytt støpsel:

- ◆ Kast det gamle støpselet på en trygg måte.

- ◆ Koble den brune ledningen til den strømførende terminalen i det nye støpselet.
- ◆ Koble den blå ledningen til den nøytrale terminalen.
- ◆ Koble den grønne/gule ledningen til jordklemmen.

Advarsel! Følg monteringsanvisningen som medfølger støpsler av god kvalitet. Anbefalt sikring: 13A.

Miljøvern



Separat avfallshåndtering. Produkter og batterier merket med dette symbolet skal ikke kastes i vanlig husholdningsavfall

Produkter og batterier inneholder materialer som kan gjenbrukes eller gjenvinnes for å redusere behovet for nye råmaterialer. Vennligst lever elektrisk utstyr og batterier til gjenbruk i henhold til lokale retningslinjer.

Mer informasjon finner du på www.2helpU.com

Garanti

Black & Decker er trygg på kvaliteten av produktene sine og tilbyr en 24 måneders garanti fra kjøpsdato.

Denne garantierklæringen kommer i tillegg til dine lovbestemte rettigheter og er ikke i konflikt med disse.

Garantien er gyldig innen områdene tilhørende medlemslandene i den Europeiske Union (EU) og det Europeiske Frihandelsområdet (EFTA).

For å ta garantien i bruk må kravet være i samsvar med kjøpsbetingelsene fra Black&Decker og du må vise kjøpskvittering til forhandleren eller til et autorisert serviceverksted. Betingelsene for Black&Deckers 2 års garanti og adressen til din nærmeste autoriserte serviceverksted kan du finne på Internett under www.2helpU.com, eller ved å kontakte ditt lokale Black & Decker kontor, adressen er angitt i denne bruksanvisningen.

Besøk våre nettsider på www.blackanddecker.no for å registrere ditt nye Black & Decker-produkt og for å få informasjon om nye produkter og spesialtilbud.

Tilsigtede bruk

Din BLACK+DECKER™ FSMH1321, BHSM166DSM, BHSM168D, BHSM168DSM, BHSM168U, BHSM169DSM, BHSM1610DSM, BHSM1615DSM, BHSM1615DSG, BHSM1615DAM dampmoppe er beregnet til rensning og rengjøring af forsegleet hårdtræ, forsegleet laminat, linoleum, vinyl, keramikfliser, sten- og marmorgulve. Apparatet er kun beregnet til indendørs brug i husholdninger.

Sikkerhedsinstruktioner



Advarsel! Læs alle sikkerhedsadvarsler og alle instruktioner. Hvis efterfølgende advarsler og instruktioner ikke følges, er der risiko for elektrisk stød, brand og alvorlige kvæstelser.



Advarsel! Ved brug af apparater, der strømforsynes fra forsyningsnettet, er det vigtigt, at grundlæggende sikkerhedsforholdsregler, herunder bl.a. nedenstående, altid følges for at mindske risikoen for brand, elektrisk stød, personskade og tingskade.

- ◆ Den tilsigtede brug er beskrevet i denne vejledning.
- ◆ Brugen af ekstraudstyr eller tilbehør eller udførelse af andet arbejde med dette apparat end det, der anbefales i denne vejledning, kan udgøre en fare for kvæstelser.
- ◆ Opbevar denne vejledning til senere brug.

Brug af apparatet

- ◆ Ret aldrig dampen mod mennesker, dyr, elektriske apparater eller strømudgange.

- ◆ Udsæt det ikke for regn.
- ◆ Apparatet må ikke nedsænkes i vand.
- ◆ Efterlad ikke apparatet uden opsyn.
- ◆ Træk altid stikket ud af stikkontakten, når apparatet ikke er i brug.
- ◆ Træk aldrig i strømledningen for at afbryde apparatet fra stikkontakten. Beskyt apparatets ledning imod varmepåvirkninger, olie og skarpe kanter.
- ◆ Brug ikke damprenseren med våde hænder.
- ◆ Træk eller løft ikke apparatet i ledningen, brug ikke ledningen som håndtag, lad ikke ledningen komme i klemme i en dør, træk ikke ledningen om skarpe kanter og lad ikke ledningen komme i berøring med varme flader.
- ◆ Brug ikke apparatet i lukkede rum fyldt med dampe fra oliebaseret malingsfortynder, mølmidler, brændbart støv eller eksplosive eller giftige dampe.
- ◆ Spørg om din gulvtype hos din forhandler.
- ◆ Apparatet må ikke bruges til læder, voksbehandlede møbler eller gulve, syntetiske stoffer, fløjel eller andre fine, dampfølsomme materialer.



Advarsel! Brug ikke apparatet på ubehandlede trægulve eller ubehandlede laminatgulve.

På voksbehandlede overflader og nogle gulve uden voks kan varmen og dampen bevirke, at glansen forsvinder. Det anbefales altid først at prøve apparatet på et lille skjult stykke af den overflade, der skal rengøres. Vi anbefaler også, at man kontrollerer gulvproducentens brugs- og vedligeholdelsesvejledninger.

- ◆ Fyld aldrig kalkstensfjerner, aromatiske eller alkoholbaserede produkter eller rensesubstanter i damprenseren, da det kan ødelægge den eller gøre den farlig at bruge.
- ◆ Hvis boligens fejlstrømsafbryder kobler ud under brugen af dampfunktionen, skal man straks ophøre med at bruge apparatet og kontakte kundeservicecentret. (Vær opmærksom på risikoen for elektrisk stød.)
- ◆ Apparatet udsender meget varm damp for at rense anvendelsesområdet. Det betyder, at dampovedet, moppekludene og tæppetilbehøret bliver meget varme ved brug.

Forsigtig! Benyt altid egnet fodtøj, når du bruger dampmoppen, og når du skifter tilbehør på dampmoppen. Brug ikke hjemmesko eller åbne sko.

- ◆ Låget kan blive varmt ved brug.
- ◆ Der kan strømme damp ud fra apparatet ved brug. Vær meget forsigtig ved brug af apparatet. RØR IKKE ved dele, der kan blive varme ved brug.

- ◆ Sluk apparatet, og stil håndtaget tilbage i lodret stilling, før du fjerner vandbeholderen.
- ◆ Hvis der registreres dampudslip fra den håndholdte damprensers kabinet, slukkes enheden, ledningen tages ud af stikkontakten, og enheden køler af. Kontakt det nærmeste autoriserede serviceværksted. Apparatet må ikke længere anvendes.

Efter brug

- ◆ Tag apparatet ud af stikkontakten og lad det køle af, før det rengøres.
- ◆ Opbevar apparatet på et tørt sted, når det ikke er i brug.
- ◆ Børn må ikke have adgang til opbevarede apparater.

Eftersyn og reparationer

- ◆ Tag apparatet ud af stikkontakten og lad det køle af, før der udføres vedligeholdelse eller reparation.
- ◆ Kontroller apparatet for beskadigede eller defekte dele før brug. Se efter knækkede dele, skader på kontakter og eventuelle andre tilstande, der kan påvirke apparatets funktion.
- ◆ Kontroller regelmæssigt strømledningen for skader.
- ◆ Brug ikke apparatet med beskadigede eller defekte dele.
- ◆ Få beskadigede eller defekte dele repareret eller udskiftet på et autoriseret værksted.
- ◆ Forsøg aldrig at fjerne eller udskifte dele ud over dem, der er beskrevet i denne vejledning.

Andres sikkerhed

- ◆ Dette apparat kan bruges af personer med nedsatte fysiske, sensoriske eller mentale evner eller manglende erfaring og viden, hvis det sker under overvågning, eller de vejledes i brugen af apparatet på en sikker måde, og de forstår de farer, som er forbundet dermed. Børn må ikke lege med apparatet.
- ◆ Børn skal holdes under opsyn, så det sikres, at de ikke leger med værktøjet.
- ◆ Stikket skal tages ud af stikkontakten før rengøring eller vedligeholdelse af apparatet.
- ◆ Væske eller damp må ikke rettes mod udstyr, der indeholder elektriske komponenter, såsom det indvendige af ovne.
- ◆ Apparatet må ikke efterlades uden opsyn, mens det er tilsluttet.
- ◆ Apparatet må ikke anvendes, hvis det har været tabt, hvis der er synlige tegn på skader, eller hvis det er utæt.
- ◆ Hold apparatet uden for børns rækkevidde, når det aktiveres eller nedkøles.
- ◆ Peg eller vend aldrig vanten mod dig selv eller andre personer.
- ◆ Vær forsigtig, når du bruger apparatet på grund af emission af damp.
- ◆ Tag stikket ud af stikkontakten under påfyldning og rengøring.
- ◆ Stofdampen må ikke efterlades uden opsyn, mens den er tilsluttet strømforsyningen.

- ◆ Stofdampere må ikke bruges, hvis det er faldet, hvis der er synlige tegn på skader, eller hvis det lækker.
- ◆ holder stofdampen og dens ledning utilgængeligt for børn under 8 år, når det tændes eller køles ned

Tilbageværende risici

Der kan opstå yderligere, tilbageværende risici under brugen af apparatet, som muligvis ikke behandles i de vedlagte sikkerhedsadvarsler. Disse risici kan opstå pga. forkert anvendelse, langvarig brug etc.

Selv ved overholdelse af relevante sikkerhedsforskrifter og anvendelse af sikkerhedsudstyr kan visse resterende risici ikke undgås. Disse omfatter:

- ◆ Tilskadekomst forårsaget af berøring af bevægelige dele.
- ◆ Tilskadekomst forårsaget af berøring af varme dele.
- ◆ Tilskadekomst forårsaget af udskiftning af dele eller tilbehør.
- ◆ Tilskadekomst forårsaget af langvarig brug af apparatet. Husk at holde pause jævnlige ved brug af et apparat i længere tid.

Elektricitet og sikkerhed



Advarsel! Advarsel! Dette produkt skal jordforbindes. Kontrollér altid, at strømforsyningen svarer til spændingen på mærkepladen.

Elektriske stik skal passe til stikkontakten. Stikket må aldrig modificeres på nogen måde.

Umodificerede stik og dertil passende stikkontakter reducerer risikoen for elektrisk stød

- ◆ Hvis netledningen beskadiges, skal den udskiftes af producenten eller et autoriseret BLACK+DECKER-værksted, så farlige situationer undgås.

Forlængerledninger og klasse 1-produkt

- ◆ Der skal anvendes et 3-lederkabel, da dette værktøj er jordforbundet og klassificeret som klasse 1.
- ◆ Brug altid en godkendt forlængerledning, der er egnet til dette apparats strømstik (se de tekniske data). Der kan bruges en forlængerledning på op til 30 m med et tværsnit på 1,5 mm², uden at produktets ydeevne forringes. Før brug skal forlængerledningen inspiceres for tegn på beskadigelse, slid og ældning. Udskift forlængerledningen, hvis den er beskadiget eller defekt. Ved brug af en ledningstrømle skal ledningen altid rulles helt ud.

Mærkater på apparatet

Følgende piktogrammer vises på værktøjet sammen med datokoder.



FORSIGTIG! Varm damp



Der drypper vand, når den bruges omvendt



Der kommer damp ud fra alle sider



Må ikke efterlades uden opsyn med mindre børn



Må kun vaskes i hånden



FORSIGTIG! Varm overflade

Funktioner

Dette apparat leveres med nogle af eller alle de følgende komponenter.

1. Afbryderkontakt
2. Autoselect™-skive
3. Håndholdt dampenhedshåndtag
4. Hætte
5. Håndholdt dampenhed
6. Håndgreb
7. Kabelholder, øverste kabel
8. Hovedhåndtag
9. Kabelholder, nederste kabel
10. Udløserknop til håndholdt dampenhed
11. Hoveddel
12. Gulv rengøringsmundstykke
- 12a. Gulv rengøringsmundstykke med deltasektion, der kan løftes ud
- 12b. Delta-hoved
- 12c. Udløserpedal til dampenhed
- 12d. Tæppeglider (til brug på tæpper)
13. Gulvmoppeklud
14. Udløsningstap til gulvmoppeklud
15. Hængebeslag
16. Dampslange
17. Dampdyse
18. Vinkelbørstetilbehør (til brug på genstridige pletter)
- 18a. Vinkelbørste (ståltrådsbørste)
19. Børstetilbehør (til brug på fiser/fugemasse)
20. Vinduesskrabertilbehør (til brug på bruseskærme/glas/spejle/tøj/betræk)
- 20a. Vinduesskrabersok
21. Stort vinduesskrabertilbehør (til brug på bruseskærme/glas/spejle/tøj/betræk)
- 21a. Stor vinduesskrabersok
22. Børsteenhed med damptryk
- 22a. Ståltrådsbørste med damptryk (til brug på grill/ovne)
- 22b. Børste med damptryk (til brug på grill/ovne/kogesektioner/haner/fugemasse)
- 22c. Ståltrådsbørste med damptryk (til brug på større arbejdsflader)

23. Moppeklud til deltaghoved.
24. SteaMitt™
25. SteaMitt™ slange
26. SteaMitt™ moppeklud
27. SteaMitt™ moppeklud 2
28. Ultra-absorberende gulvmoppeklud
29. Stor børste med indbygget skraber

Konfiguration

	F S M H 1 3 2 1	B H S M 1 6 8 D	B H S M 1 6 8 U	B H S M 1 6 6 D S M	B H S M 1 6 8 D S M	B H S M 1 6 9 D S M	B H S M 1 6 1 0 D S M	B H S M 1 6 1 5 D S M	B H S M 1 6 1 5 D S G	B H S M 1 6 1 5 D A M	S E T T I N G S
12	✓										Alle
12a		✓	✓	✓	✓	✓	✓	✓	✓	✓	Alle
12d		✓	✓	✓	✓	✓	✓	✓	✓	✓	Alle
13	✓	✓	✓	✓	✓	✓	✓	✓	✓	✓	Alle
16	✓	✓	✓	✓	✓	✓	✓	✓	✓	✓	Alle
18	✓	✓	✓	✓		✓	✓	✓	✓		*
18a						✓		✓			***
19	✓	✓	✓	✓	✓	✓	✓	✓	✓		***
20	✓			✓	✓		✓				*
20a	✓			✓	✓		✓				*
21		✓	✓			✓		✓	✓	✓	*
21a						✓		✓	✓	✓	*
22					✓		✓			✓	Alle
22a							✓			✓	Alle
22b					✓		✓			✓	Alle
22c							✓			✓	Alle
23		✓	✓	✓	✓	✓	✓	✓	✓	✓	Alle
24				✓	✓	✓	✓	✓	✓	✓	Alle
25				✓	✓	✓	✓	✓	✓	✓	Alle
26				✓	✓	✓	✓	✓	✓	✓	Alle
27							✓	✓	✓	✓	Alle
28							✓	✓	✓	✓	Alle
29							✓	✓			Alle

Samling



Advarsel! Sørg for, at apparatet er afbrudt, at stikket er taget ud, og at apparatet er koldt og ikke indeholder vand, inden nogle af de følgende instruktioner udføres.

Montering af håndtaget (Fig. A)

- ◆ Skub den nederste ende af håndtaget (8) ind i den øverste ende af selve moppen (11), indtil det klikker på plads.

Påmontering af den håndholdte damprenser (Fig. B)

- ◆ Mens det bageste af dampmoppen (11) holdes fast, skubbes den håndholdte damprenser (5) solidt ind i dampmoppen (11), mens det sørges for, at den sidder korrekt over grænsefladen (11a) og klikker godt på plads.

Afmontering af den håndholdte damprenser (Fig. B)

- ◆ Tryk på udløserknappen (10) på hoveddelen (11), og løft den håndholdte damprenser (5) fra grænsefladen (11a) og væk fra hoveddelen (11).

Påsætning af moppeklud (Fig. C)

Nye moppeklude fås hos din BLACK+DECKER forhandler- (kat nr. F5MP20-XJ).

- ◆ Læg en moppeklud (13) på gulvet med velcro 'strop'-siden opad.
- ◆ Pres dampmoppen let ned på moppekluden (13).

Bemærk: Denne enhed kan være udstyret med et almindeligt gulvrengøringsmundstykke (12) eller et rengøringsmundstykke med damptryk (12a). I begge tilfælde skal disse anvisninger anvendes til at påmontere en moppeklud.

Forsigtig! Lad aldrig dampmoppen blive stående på et sted på nogen form for overflade. Stil altid dampmoppen med håndtaget (8) understøttet i lodret stilling, når den står stille og sørg for, at dampmoppen er slukket, når den ikke er i brug.

Aftagning af moppeklud

Forsigtig! Benyt altid egnet fodtøj, når du skifter moppeklud på din dampmoppe.

Brug ikke hjemmesko eller åbne sko.

- ◆ Sæt håndtaget (8) tilbage i lodret position, og sluk for dampmoppen med 'OFF'-knappen.
- ◆ Vent, til at dampmoppen er afkølet, før den sættes væk (ca. 5 minutter).
- ◆ Løft dampmoppen væk fra moppekluden og frigør den fra velcrolukningen.

Forsigtig! Lad aldrig dampmoppen blive stående på et sted på nogen form for overflade.

Stil altid dampmoppen med håndtaget (8) understøttet i lodret stilling, når den står stille og sørg for, at dampmoppen er slukket, når den ikke er i brug.

Opfyldning af vandbeholderen (Fig. O)

Bemærk! Fyld vandbeholderen med rent vand fra hanen (Brug ikke tilsætningsstoffer eller kemikalier).

Bemærk! I områder med hårdt vand anbefales det at anvende deioniseret vand.

- ◆ Åbn hættten (4) ved at vippe den op.
- ◆ Fyld vandbeholderen med vand (Brug ikke tilsætningsstoffer eller kemikalier).

Advarsel! Under påfyldningen skal den tages af hoveddelen og holdes i en vandret position.

Advarsel! Vandbeholderen rummer 0,5 liter. Overfyld ikke beholderen.

- ◆ Luk hættten (4).

Bemærk! Sørg for, at hættten er sat forsvarligt på.

Montering af tæppeglideren (12d) (må kun bruges på tæpper)

- ◆ Læg tæppeglideren (12d) på gulvet.
- ◆ Sæt en moppeklud på gulvrengøringsmundstykket (12,12a)
- ◆ Pres forsigtigt dampmoppen ned på tæppeglideren (12d), indtil den klikker på plads.

Forsigtig! Lad aldrig dampmoppen blive stående på et sted på nogen form for overflade. Stil altid dampmoppen med håndtaget (8) understøttet i lodret stilling, når den står stille og sørg for, at dampmoppen er slukket, når den ikke er i brug.

Afmontering af tæppeglideren

Forsigtig! Benyt altid egnet fodtøj, når du skifter tæppeglideren på din dampmoppe. Brug ikke hjemmesko eller åbne sko.

- ◆ Sæt håndtaget (8) tilbage i lodret position, og sluk for dampmoppen med 'OFF'-knappen.
- ◆ Vent, til at dampmoppen er afkølet, før den sættes væk (ca. 5 minutter).
- ◆ Tryk fast på udløserpedalen til tæppeglideren med skosnuden.
- ◆ Løft dampmoppen op og væk fra tæppeglideren.

Forsigtig! Lad aldrig dampmoppen blive stående på et sted på nogen form for overflade. Stil altid dampmoppen med håndtaget (8) understøttet i lodret stilling, når den står stille og sørg for, at dampmoppen er slukket, når den ikke er i brug.

Deltahovedet (fig. D)

Denne dampmoppe har et indbygget deltahoved, som du kan bruge til at komme ind i trange hjørner og smalle steder.

Forsigtig! Benyt altid egnet fodtøj, når du bruger deltahovedet på din dampmoppe. Brug ikke hjemmesko eller åbne sko.

- ◆ Sluk for dampmoppen med 'OFF'-knappen
- ◆ Vent, til at dampmoppen er afkølet, før den sættes væk (ca. fem minutter).
- ◆ Tryk forsigtigt på udløserpedalen til deltahovedet (12c) med skosnuden.
- ◆ Løft deltahovedet (12b) op fra deltahovedet (12a)
- ◆ Monter deltahovedets moppeklud nederst på deltahovedet.

Bemærk: Fjern moppekluden, inden du sætter deltahovedet tilbage på deltahovedet.

- ◆ For at genmontere deltahovedet skal du anbringe spidsen af deltahovedet i deltahovedet, mens du forsvarligt trykker ned for at sikre, at deltahovedet klikker på plads.

Montering af slangen og tilbehøret på den håndholdte damprenser (fig. G - M)

Advarsel! Inspicer forseglingen mellem forbindelsespunktet på den håndholdte damprenser (5) og dampslangen (16) inden hver brug. Hvis forseglingen har en defekt eller er beskadiget, kontaktes det nærmeste autoriserede serviceværksted. Apparatet må ikke bruges.

Montering af slangen

- ◆ Tryk på udløserknappen til dampslangen (16a) på dampslangen (16).
- ◆ Slut dampslangen (16) til den håndholdte damprenser (5), og udløs udløserknappen til dampslangen (16a), mens du sørger for, at den klikker på plads.

Vigtigt! Sørg for, at dampslangen (16) er sluttet korrekt til den håndholdte damprenser (5). Hvis der kommer damp ud fra sammenslutningen, er slangen sat forkert på. Sluk enheden, lad den køle af, og genmonter slangen.

Montering af tilbehør (fig. H)

- ◆ Ret monteringsstederne på dampdysen (17) ind efter fordybningerne på tilbehøret.
- ◆ Tryk tilbehøret på dampdysen (17), og drej imod uret, indtil tilbehøret klikker på plads.

Vigtigt! Alt tilbehør, bortset fra SteaMitt™ (24), som har sin egen slange og forbindelse (25), skal sættes på dampslangen (16) ved brug.

Afmontering af slangen og tilbehør

Advarsel! Dampslangen (16), dampdysen (17) og tilbehør bliver varme under brug. Lad enheden og alt tilbehør køle af, før det forsøges fjernet.

Afmontering af tilbehør

- ◆ Drej tilbehøret med uret, og træk det derefter væk fra slangen (16).

Afmontering af slangen

- ◆ Tryk på udløserknappen til dampslangen (16a) på dampslangen (16), og træk den væk fra den håndholdte damprenser.

SteaMitt™

Din BLACK+DECKER™ SteaMitt™ er designet til rensning og rengøring af fliser, bordplader, køkken- og badeværelsesoverflader. Apparatet er kun beregnet til indendørs brug i husholdninger.

Montering af SteaMitt™ slangen på den håndholdte damprenser

Advarsel! Inspicer forseglingen på dampdysen og slangen inden brug.

Hvis forseglingen mangler eller er beskadiget, kontaktes det nærmeste autoriserede serviceværksted.

Apparatet må ikke bruges. Inspicer forseglingen på SteaMitt™ og slangen. Hvis forseglingen mangler eller er beskadiget, kontaktes det nærmeste autoriserede serviceværksted. **Apparatet må ikke bruges.** Kontroller, at der ikke er nogen blokering eller impedans i SteaMitt™ slangen eller monteringsslangen. Hvis nogen detekteres, kontaktes det nærmeste autoriserede serviceværksted.

Apparatet må ikke bruges.

Montering af en moppeklud på SteaMitt™ (Fig. J)

Advarsel! Sørg for, at der ikke er nogen blokering eller impedans i dampfrigørelsesåbningerne. Hvis nogen detekteres, kontaktes det nærmeste autoriserede serviceværksted. **Apparatet må ikke bruges.**

- ◆ Sæt moppekluden (26) på SteaMitt™ (24) ved at fastgøre 'strop'-velcrostrimlerne (26a) på oversiden af moppekluden til 'krog'-velcropuderne (24a) på undersiden af SteaMitt™ (24). Tryk den godt ned.

Advarsel! SteaMitt™ bør ikke anvendes uden påmontering af en moppeklud.

Bemærk: SteaMitt™ har plads til 4 typer moppeklude af forskellig tykkelse. Skureklud (til brug på genstridige pletter og overflader, der ikke er sarte), badeværelsesklud (til brug på haner og andre formstøbte badeværelsesoverflader), standardklud (til brug på alle større overflader) og pudseklud (til brug på sarte overflader).

⚠ **Advarsel!** Brug altid SteaMitt™ som vist i figur M, med din hånd i den beskyttende handske.

⚠ **Advarsel!** Forsøg aldrig at bruge SteaMitt™ ved at tage fat om den eksternt, som vist i figur N. Dette vil resultere i skoldning.

⚠ **Advarsel!** Undgå at bruge SteaMitt™ i snævre hjørner, som vist i figur O.

Advarsel! Hvis der skulle opstå et problem under brug, bør du bruge den hurtige udløsningsstap til hurtigt at fjerne SteaMitt™ fra din hånd, som vist i figur P.

⚠ **Advarsel!** Brug ikke SteaMitt™ på koldt glas, f.eks. vinduer, da det pludselige temperaturskift kan forårsage skader.

⚠ **Advarsel!** Peg eller vend aldrig vanten mod dig selv eller andre personer.

Bemærk: Variabel dampvælger frakobles, når SteaMitt™ monteres, og den efterfølgende dampstrøm er begrænset.

Anvendelse

Vigtigt! Denne enhed dræber 99,9 % af bakterier og mikroorganismer, når den anvendes i overensstemmelse med instruktionerne i denne vejledning og med mikrofiberkludene monteret og en vedvarende brugstid på 90 sekunder.

Sådan tændes og slukkes værktøjet

- ◆ Tænd for apparatet ved at trykke på tænd/sluk-kontakten (1). Det tager ca. 20 sekunder for dampmoppen at varme op.
- ◆ Sluk for apparatet ved at trykke på tænd/sluk-kontakten (1).

Bemærk: hav altid din hånd inden i SteaMitt™, inden du trykker på dampknappen.

Forsigtig! Lad aldrig dampmoppen blive stående på et sted på nogen form for overflade.

Stil altid dampmoppen med håndtaget (8) understøttet i lodret stilling, når den står stille og sørg for, at dampmoppen er slukket, når den ikke er i brug.




Forsigtig! Tøm altid dampmoppen efter brug.

Bemærk! Når der påfyldes første gang, eller hvis der har været kørt tør, kan det tage op til 45 sekunder, før der frembringes damp.

Autoselect™-teknologi (fig. P)

Denne dampmoppe er udstyret med en Autoselect™-vælger (2), som viser forskellige rengøringsindstillinger. Disse bruges til at vælge den rigtige indstilling for det aktuelle rengøringsarbejde.

Vælg et af følgende anvendelsesområder med Autoselect™ ved at dreje vælgeren Autoselect™ (2), indtil den ønskede indstilling er valgt.

Indstilling	Moppe	Håndholdt
	Træ/laminat	Lav dampflow ●
	Fliser/vinyl	Middel dampflow ● ●
	Sten/marmor	Høj dampflow ● ● ●

Dampmoppen indstiller den rigtige dampmængde til det aktuelle rengøringsarbejde.

Bemærk: Kontroller altid, at du bruger den korrekte indstilling, inden du bruger dampmoppen.

Gode råd mhp. optimal brug

Generelt

Forsigtig! Brug aldrig dampmoppen uden moppeklud.

- ◆ Støvsug eller fej altid gulvet, før du bruger dampmoppen.
- ◆ Den letteste måde at bruge apparatet på er at holde håndtaget i en 45° vinkel og rengøre et lille område ad gangen med langsomme bevægelser.
- ◆ Brug kun vand uden tilsætningsstoffer eller kemikalier med din dampmoppe. Hårdnakkede pletter på vinyl- eller linoleumsgulve kan forhandles med et mildt rensmiddel og vand, før du bruger dampmoppen.

Damprengøring med moppen

- ◆ Monter den håndholdte damprens (5) på dampmoppekabinettet (11)
- ◆ Læg en moppeklud (13) på gulvet med velcro 'strop'-siden opad.
- ◆ Pres dampmoppen let ned på moppekluden (13).
- ◆ Tilslut dampmoppen til ledningsnettet.
- ◆ Tryk på tænd/sluk-knappen (1). Det tager ca. 15 sekunder for dampmoppen at varme op.
- ◆ Drej Autoselect™-knappen (2), indtil den ønskede indstilling nås. Efter få sekunder begynder der at komme damp ud af damphovedet.

Bemærk! Når der påfyldes første gang, eller hvis der har været kørt tør, kan det tage op til 45 sekunder, før der frembringes damp.

- ◆ Det tager nogle få sekunder for dampen at komme ind i moppekluden. Dampmoppen glider nu let hen over den overflade, der skal renses/rengøres.
- ◆ Skub og træk dampmoppen langsomt hen over overfladen for at gøre hvert enkelt afsnit grundigt rent med dampen.
- ◆ Når du er færdig med at bruge dampmoppen, drej håndtaget (8) til oprejst position og kontroller, at den er understøttet, før du slår den 'OFF'. Vent, til at dampmoppen er afkølet, før den sættes væk (ca. fem minutter).

Forsigtig! Det er vigtigt at holde øje med vandstanden i vandbeholderen. For at fylde vand i vandbeholderen og fortsætte med rensningen/rengøringen skal du kontrollere, at håndtaget er understøttet, før du slår dampmoppen fra med off-knappen. Træk stikket ud af stikkontakten i væggen, og fyld vandbeholderen.

Forsigtig! Lad aldrig dampmoppen blive stående på et sted på nogen form for overflade.

Stil altid dampmoppen med håndtaget (8) understøttet i lodret stilling, når den står stille og sørg for, at dampmoppen er slukket, når den ikke er i brug.

Opfriskning af tæpper

- ◆ Læg moppekluden (13) på gulvet med 'strop'-siden opad.
- ◆ Pres dampmoppen let ned på moppekluden.
- ◆ Læg tæppeglideren (12d) på gulvet.
- ◆ Pres forsigtigt dampmoppen ned på tæppeglideren, indtil den klikker på plads.
- ◆ Tilslut dampmoppen til ledningsnettet.
- ◆ Tryk på tænd/sluk-knappen (1). Det tager ca. 15 sekunder for dampmoppen at varme op.
- ◆ Drej Autoselect™-vælgeren (2) til træ/laminat-indstilling.
- ◆ Skub og træk dampmoppen langsomt hen over tæppet for grundigt at opfriske hvert afsnit.
- ◆ Når du er færdig med at bruge dampmoppen, drej håndtaget (8) til oprejst position, og sæt enheden på 'OFF'. Vent, til at dampmoppen er afkølet, før den sættes væk (ca. fem minutter).

Efter brug

- ◆ Drej Autoselect™-vælgeren (2) til OFF-positionen.
- ◆ Vent indtil dampmoppen er afkølet.
- ◆ Træk stikket til dampmoppen ud af stikkontakten i væggen.
- ◆ Tøm vandbeholderen.
- ◆ Tag moppekluden (13) af, og vask den, så den er klar til næste brug (sørg for at følge vaskeanvisningerne trykt på moppekluden).
- ◆ Vikl netkablet omkring kabelholderne (7 og 9).
- ◆ Der er et hængebeslag (15) indbygget i håndtaget (6), der gør det muligt at hænge din dampmoppe på en passende krog på væggen. Sørg altid for at bruge en vægkrog, der sikkert kan bære vægten af dampmoppen.
- ◆ Håndtaget indeholder en gummistopper, som gør det muligt at hvile din dampmoppe sikkert mod en vertikal overflade.

Håndholdt damprensning

Advarsel! Enheden producerer ikke damp, med mindre den er sluttet til hoveddelen (11), eller dampslangen (16) er monteret.

Advarsel! Må kun bruges i vandret position.

- ◆ Monter det ønskede tilbehør.
- ◆ Tilslut den håndholdte damprenser til ledningsnettet.
- ◆ Tryk på tænd/sluk-knappen (1). Det tager ca. 15 sekunder for dampmoppen at varme op.
- ◆ Drej Autoselect™-knappen (2), indtil den ønskede indstilling nås. Efter få sekunder begynder der at komme damp ud af damphovedet.

Bemærk! Når der påfyldes første gang, eller hvis der har været kørt tør, kan det tage op til 45 sekunder, før der frembringes damp.

- ◆ Når du er færdig med at bruge den håndholdte damprenser, skal du sætte vælgeren Autoselect™ (2) i OFF-positionen. Sæt enheden på OFF ved at trykke på tænd/sluk-knappen (1) og koble den fra netforsyningen. Vent, til enheden køler ned, inden du opbevarer den (ca. fem minutter).

Tilbehør

Apparatets ydeevne afhænger af det anvendte tilbehør. Tilbehør fra BLACK+DECKER er fremstillet efter høje kvalitetsstandarder og er designet til at forbedre apparatets ydeevne. Når du bruger dette tilbehør, vil udstyret yde optimalt.

Tekniske data

	Spænding	EI-	Tankkapacitet	Opvarmningstid	Kabel længde	Vægt
	V _{ac}	W	ml	sek	m	kg
FSMH1321	230	1600	500	≤20	6	2.7
BHSM168D	230	1600	500	≤20	6	2.8

BHSM168U	230	1600	500	≤20	6	2.8
BHSM168DSM	230	1600	500	≤20	6	2.8
BHSM161SDSM	230	1600	500	≤20	7	2.9
BHSM161SDAM	230	1600	500	≤20	7	2.9
BHSM161SDSG	230	1600	500	≤20	8	2.9
BHSM168DSM	230	1600	500	≤20	8	2.9
BHSM169DSM	230	1600	500	≤20	8	2.9
BHSM161ODSM	230	1600	500	≤20	8	2.9

Problemløsning

Følg vejledningen nedenfor, hvis apparatet ikke synes at fungere korrekt. Hvis dette ikke løser problemet, bedes du kontakte det lokale BLACK+DECKER-værksted.

Problem	Trin	Mulig løsning
Dampmoppen starter ikke	1.	Kontroller at enheden er tilsluttet til vægkontakten.
	2.	Kontroller at enheden er slået til ved hjælp af ON/OFF kontakten (1)
	3.	Kontroller sikringen i stikket.
Dampmoppen producerer ingen damp	4.	Dampmoppen producerer kun damp, hvis den håndholdte damprenser (5) sidder korrekt i hoveddelen (11), eller dampslangen er monteret, eller Autoselect™ står på ON
	5.	Kontroller, at vandbeholderen er fuld. Bemærk: Når der påfyldes første gang, eller hvis den har været kørt tør, kan det tage op til 45 sekunder, før der frembringes damp.
	6.	Kontroller trin 1, derefter 2, derefter 3
Dampmoppen stopper med at producere damp under brug	7.	Kontroller trin 4, derefter 5, derefter 3
Dampmoppen producerer for meget damp under brug	8.	Drej vælgeren Autoselect™ (2) mod uret for at reducere den mængde damp, der produceres
Dampmoppen producerer for lidt damp under brug	9.	Drej vælgeren Autoselect™ (2) med uret for at øge den mængde damp, der produceres
Der produceres ingen damp fra den håndholdte damprenser	10.	Kontroller, at vælgeren Autoselect™ (2) er i ON-positionen
	11.	Kontroller trin 5, derefter 1, derefter 2, derefter 3
Den håndholdte damprenser producerer for lidt damp under brug	12.	Drej vælgeren Autoselect™ (2) med uret for at øge den mængde damp, der produceres
	13.	Kontroller trin 5
Den håndholdte damprenser producerer for meget damp under brug	14.	Drej vælgeren Autoselect™ (2) mod uret for at reducere den mængde damp, der produceres
Tilbehøret bliver ved med at falde af enheden	15.	Se kapitlet om montering for korrekt montering af alle dele og alt tilbehør
Der kommer damp fra uventede områder af enheden	16.	Se kapitlet om montering for korrekt montering af alle dele og alt tilbehør
Hvor kan jeg få yderligere oplysninger/tilbehør	17.	www.blackanddecker.co.uk/steammop www.blackanddecker.ie/steammop

Vedligeholdelse og rengøring

Dit BLACK+DECKER-apparat med ledning er beregnet til at fungere i en længere periode med minimal vedligeholdelse. Vedvarende tilfredsstillende funktion er afhængig af, om apparatet plejes korrekt og rengøres regelmæssigt.

Advarsel! Sluk apparatet og tag det ud af stikkontakten, før der udføres nogen form for vedligeholdelse eller rengøring.

- ◆ Tør dit apparat af med blød fugtig klud.
- ◆ Til hårdnakkede pletter kan du fugte kluden i en mild opløsning af sæbe og vand.

Pleje af moppekludene

Vaskeanvisninger - Klude kan vaskes ved 60°C. Brug ikke skyllemiddel. Lad dem tørre helt inden genbrug.

Forsigtig! Følg vaskevejledningen på mærket på moppekluden.

Udskiftning af netstik (kun Storbritannien og Irland)

Hvis et nyt lysnetstik skal monteres:

- ◆ Det gamle stik skal bortskaffes på en sikker måde.
- ◆ Slut den brune ledning til den strømførende klemme på det nye stik.
- ◆ Slut den blå ledning til den neutrale klemme.
- ◆ Slut den grønne/gule ledning til jordklemmen.

Advarsel! Følg de monteringsinstruktioner, der følger med stik af god kvalitet. Anbefalet sikring: 13A.

Miljøbeskyttelse



Særskilt bortskaffelse. Produkter og batterier mærket med dette symbol må ikke bortskaffes sammen med normalt

Produkter og batterier indeholder materialer, der kan genvindes eller genbruges og således reducere efterspørgslen efter råvarer. Genbrug venligst elektriske produkter og batterier i henhold til lokale bestemmelser.

Yderligere oplysninger findes på www.2helpU.com

Garanti

Black & Decker er overbevist om den gode kvalitet af sine produkter og giver forbrugerne en garanti på 24 måneder fra købsdatoen. Garantien er et tillæg til forbrugers lov-mæssige rettigheder og påvirker ikke disse. Garantien er gyldig inden for medlemsstaterne af Den Europæiske Union og Det Europæiske Frihandelsområde.

Når du gør krav på garantien, skal kravet være i overensstemmelse med Black&Decker vilkår og betingelser, og du skal indsende dokumentation for købet til sælgeren eller til en autoriseret reparatør. Vilkår og betingelser for Black & Decker 2 års garanti og placeringen af dit nærmeste autoriserede serviceværksted kan fås på internettet på www.2helpU.com, eller ved at kontakte dit lokale Black & Decker kontor på den adresse, der er angivet i denne vejledning.

Besøg venligst vores websted www.blackanddecker.co.uk for at registrere dit nye Black & Decker produkt og modtage opdateringer om nye produkter og specielle tilbud.

Käyttötarkoitus

BLACK+DECKER™ FSMH1321, BHSM166DSM, BHSM168D, BHSM168DSM, BHSM168U, BHSM169DSM, BHSM1610DSM, BHSM1615DSM, BHSM1615DSG, BHSM1615DAM -höyrymoppi on tarkoitettu tiivistettyjen puu- ja laminaatti-, linoleumi-, vinyyli-, keramiikkalaatta-, kivi- ja marmorilattioiden puhdistamiseen ja desinfiointiin. Laitte on tarkoitettu ainoastaan sisätiloissa tapahtuvaan koittalouskäyttöön.

Turvaohjeet



Varoitus! Lue kaikki turvallisuuksvaroitukset ja ohjeet. Alla olevien varoitusten ja ohjeiden noudattamisen laiminlyönti saattaa johtaa sähköiskuun, tulipaloon ja/tai vakavaan loukkaantumiseen.



Varoitus! Sähkölaitteita käytettäessä on aina noudatettava asianmukaisia turvaohjeita, jotta tulipalojen, sähköiskujen, henkilövahinkojen ja materiaalivaurioiden riski olisi mahdollisimman pieni.

- ◆ Käyttötarkoitus kuvataan näissä ohjeissa.
- ◆ Muiden kuin ohjeissa suositeltujen lisävarusteiden tai -osien käyttö sekä laitteen käyttö muuhun kuin oppaassa suositeltuun tarkoitukseen voi aiheuttaa henkilövahingon.
- ◆ Säilytä tämä käyttöohje tulevaa tarvetta varten.

Laitteen käyttö

- ◆ Älä suuntaa höyryä ihmisiin, eläimiin, sähkölaitteisiin tai pistorasioihin.
- ◆ Älä altista vesisateelle.
- ◆ Älä upota laitetta veteen.
- ◆ Älä jätä laitetta ilman valvontaa.

- ◆ Älä jätä laitetta kytkettynä pistorasiaan, kun se ei ole käytössä.
- ◆ Älä koskaan irrota laitetta pistorasiasta vetämällä virtajohdosta. Pidä laitteen virtajohto etäällä lämmönlähteistä, öljystä ja terävistä reunoista.
- ◆ Älä käsittele höyrypuhdistuslaitetta märin käsin.
- ◆ Älä vedä tai kanna laitetta johdosta, käytä johtoa kahvana, sulje johtoa oven väliin, vedä johtoa terävien reunojen päältä tai anna johdon koskettaa kuumia pintoja.
- ◆ Älä käytä laitetta suljetuissa tiloissa, joissa on öljypohjaisista maaliohenteista peräisin olevia höyryjä, koin torjunta-aineita, syttyvää pölyä tai muita räjähtäviä tai myrkyllisiä höyryjä.
- ◆ Tarkista lattian tyyppi sen valmistajalta.
- ◆ Älä puhdista laitteella nahkaa, vahattuja huonekaluja tai lattiaita, synteettisiä kuituja, samettia tai muita herkkiä, höyrylle alltiita materiaaleja.



Varoitus! Älä puhdista laitteella tiivistämättömiä puu- tai laminaattilattioita.

Joillakin vahalla käsitellyillä pinnoilla ja joidenkin vahaamatomien lattioiden tapauksessa lämpö ja höyry voivat poistaa kiillon.

Suosittelomme laitteen kokeilemistä puhdistettavan pinnan erillisellä alueella ennen jatkamista.

Suosittelomme myös, että pe-rehdyt lattian valmistajan käyttö- ja hoito-ohjeisiin.

- ◆ Älä koskaan lisää kalkinpoistoainetta sisältäviä, aromaattisia, alkoholipitoisia tai puhdistusainetta sisältäviä tuotteita höyrypuhdistimeen, sillä ne voivat vahingoittaa laitetta tai vaarantaa sen käytön.
- ◆ Jos virrankatkaisin aktivoituu höyrytoiminnon käytön aikana, lopeta välittömästi laitteen käyttö ja ota yhteyttä asiakaspalvelukeskukseen. (Varo sähköiskun vaaraa.)
- ◆ Laite tuottaa erittäin kuumaa höyryä käyttöalueen puhdistamista varten. Tämä tarkoittaa, että höyrytyspää, puhdistuslevyt ja mattolisälaite kuumentuvat käytön aikana.

Huomio! Käytä aina sopivia kenkiä höyrymopin käytön ja sen lisälaitteiden vaihdon aikana. Älä käytä sandaaleja tai kärjestään avoimia jalkineita.

- ◆ Kansi voi kuumentua käytön aikana.
- ◆ Laitteesta voi nousta höyryä käytön aikana. Laitetta käytettäessä on noudatettava varovaisuutta. ÄLÄ kosketa osia, jotka voivat kuumentua käytön aikana.
- ◆ Sammuta laite ja palauta kahva pystyasentoon, ennen kuin irrotat vesisäiliön.
- ◆ Jos kädessä pidettävän höyrypuhdistuslaitteen rungosta nousee höyryä, katkaise laitteen virta, irrota laite pistorasiasta ja anna sen jäähtyä.

Ota yhteyttä lähimpään valtuutettuun huoltoliikkeeseen. Älä jatka laitteen käyttöä.

Käytön jälkeen

- ◆ Irrota laite verkkovirrasta ja anna sen jäähtyä ennen puhdistamista.
- ◆ Kun laitetta ei käytetä, se on säilytettävä kuivassa paikassa.
- ◆ Pidä laite lasten ulottumattomissa.

Tarkastus ja korjaus

- ◆ Irrota laite verkkovirrasta ja anna sen jäähtyä ennen ylläpito- tai huoltotoimenpiteiden suorittamista.
- ◆ Tarkista ennen laitteen käyttöä, ettei laitteessa ole vahingoittuneita tai viallisia osia. Tarkista osien ja kytkimien kunto sekä muut seikat, jotka voivat vaikuttaa laitteen toimintaan.
- ◆ Tarkista säännöllisesti, ettei virtajohto ole vahingoittunut.
- ◆ Älä käytä laitetta, jos jokin osa on vahingoittunut tai viallinen.
- ◆ Korjauta tai vaihdata vaurioituneet tai vialliset osat valtuutetussa huoltoliikkeessä.
- ◆ Älä yritä korjata tai vaihtaa muita kuin tässä käyttöohjeessa erikseen määriteltyjä osia.

Muiden henkilöiden turvallisuus

- ◆ Tämä laite soveltuu sellaisten henkilöiden käyttöön, joilla on fyysisiä, aistillisia tai henkisiä rajoitteita, kuten myös laitteen toimintaan perehtymättömien henkilöiden käyttöön, jos heitä valvotaan tai jos he ovat saaneet laitteen turvalliseen

käyttöön liittyvää opastusta ja ymmärtävät laitteen käyttöön liittyvät vaarat. Älä anna lasten leikkiä laitteella.

- ◆ Lapsia tulee valvoa, jotta he eivät leikkisi laitteella.
- ◆ Pistoke tulee irrottaa pistorasiasta ennen laitteen puhdistusta tai huoltoa.
- ◆ Nestettä tai höyryä ei saa suunnata kohti laitteita, joissa on sähköosia (esim. uunin sisäosa).
- ◆ Laitetta ei saa jättää ilman valvontaa, kun se on liitetty sähköverkkoon.
- ◆ Laitetta ei saa käyttää, jos se on pudonnut, jos siinä on vaurioiden merkkejä tai jos se vuotaa.
- ◆ Pidä laite lasten ulottumattomissa, kun se on päällä tai se jäähtyy.
- ◆ Älä koskaan kohdistaa tai suuntaa puhdistusalustaa itseesi tai muihin päin.
- ◆ Laitetta käytettäessä on oltava varovainen höyryn päästöjen takia.
- ◆ Irrota laite pistorasiasta täyttämisen ja puhdistamisen aikana.
- ◆ Kangashöyrystintä ei saa jättää vartioimatta, kun se on kytketty verkkovirtaan.
- ◆ Kangashöyrystintä ei tule käyttää, jos se on pudonnut, jos vaurioissa on näkyviä merkkejä tai jos se vuotaa.
- ◆ Pidä kangashöyrylaivaa ja sen johtoa alle 8-vuotiaiden lasten ulottumattomissa, kun se syöttää tai jäähtyy

Jäännösriskit

Myös muut kuin turvavaroituksissa mainitut riskit ovat mahdollisia laitetta käytettäessä.

Nämä riskit voivat liittyä muun muassa virheelliseen tai pitkäaikaiseen käyttöön.

Tiettyjä jäännösriskejä ei voi välttää, vaikka noudatat kaikkia turvamääräyksiä ja käytät turvalaitteita. Näitä ovat:

- liikkuvien osien koskettamisesta aiheutuvat vahingot
- kuumien osien koskettamisesta aiheutuvat vahingot
- osia tai lisälaitteita vaihdettaessa aiheutuneet vahingot
- laitteen pitkäaikaisen käytön aiheuttamat vahingot. Kun käytät laitetta pitkään, varmista, että pidät säännöllisesti taukoja.

Sähköturvallisuus



Varoitus! Varoitus! Laitteen saa kytkeä ainoastaan maadoitettuun pistorasiaan. Tarkista aina, että verkkovirran jännite vastaa tyyppikilpeen merkittyä jännitettä.

Virtajohtojen pistokkeen tulee sopia pistorasiaan. Älä koskaan tee pistokkeeseen mitään muutoksia. Sähköiskun vaara vähenee, jos pistokkeisiin ei tehdä muutoksia ja ne yhdistetään vain niille tarkoitettuihin pistorasioihin.

- Jos virtajohto vahingoittuu, sen vaihtaminen on turvallisuussyistä jätettävä valmistajan tai valtuutetun BLACK+DECKER-huollon tehtäväksi.

Luokan 1 tuote ja jatkojohdot

- Koska kyseessä on luokan 1 laite, se vaatii maadoitetun 3-johtimisen virtajohtojen.
- Käytä aina oikeanlaista jatkojohtoa, joka sopii tämän laitteen virransyöttöliitäntään (katso kohta Tekniset tiedot). Laitteen kanssa voidaan käyttää enintään 30 m pitkää 1,50 mm²:n jatkojohtoa ilman tehon heikkenemistä. Tarkista jatkojohtojen kunto ennen sen käyttämistä. Vahingoittunut tai viallinen kaapeli on vaihdettava. Jos käytät johtokelaa, kelaa johto aina kokonaan auki.

Laitteessa olevat merkinnät

Laitteessa on seuraavat merkit sekä päivämääräkoodi.



HUOMIO! Kuumaa höyryä



Vesi valuu ylösalaisin käytettynä



Höyryä tulee kaikilta puolilta



Ei saa jättää ilman valvontaa lasten ollessa paikalla



Käsin pestävä



HUOMIO! Kuuma pinta

Yleiskuvaus

Tässä laitteessa on kaikki tai joitakin seuraavista ominaisuuksista.

1. Virtakytkin

2. Autoselect™-säädin
3. Käsin pidettävän höyrytysyksikön kahva
4. Säiliön korkki
5. Käsin pidettävä höyrytysyksikkö
6. Kahva
7. Ylempi johtokoukku
8. Pääkahva
9. Alempi johtokoukku
10. Käsin pidettävän höyrytysyksikön vapautuspainike
11. Päärunko
12. Lattian puhdistuspää
- 12a. Lattian puhdistuspää irrotettavalla delpapäällä
- 12b. Delpapää
- 12c. Kieleke höyrypään irrottamiseen
- 12d. Mattosuulake (käytössä mattojen päällä)
13. Lattian puhdistuslevy
14. Lattian puhdistuslevyn vapautussalpa
15. Ripustuspidike
16. Höyryletku
17. Höyrysuutin
18. Kulmaharja (käytettävä vaikeisiin tahroihin)
- 18a. Kulmaharja (teräsharja)
19. Harjasuulake
(käytettäväksi laatoihin/laastiin)
20. Kumilasta (käytettävä suihkuseiniin/lasiin/peileihin/
tekstiileihin/verhoiluun)
- 20a. Kumilastapussi
21. Suuri kumilasta (käytettävä suihkuseiniin/lasiin/
peileihin/tekstiileihin/verhoiluun)
- 21a. Suuri kumilastapussi
22. Höyrytyksen harjajyksikkö
- 22a. Höyrytoiminen teräsharja (käytettävä grilleihin/
uuneihin)
- 22b. Höyrytoiminen harja (käytettävä grilleihin/uuneihin/
keittotasoihin/hanoihin/laastiin)
- 22c. Höyrytoiminen leveä harja (käytettävä suuremmilla
työtasoilla)
23. Delpapään puhdistuslevy.
24. SteaMitt™
25. SteaMitt™ -letku
26. SteaMitt™ -puhdistuslevy
27. SteaMitt™ -puhdistuslevy 2
28. Erittäin imukykyinen lattian puhdistuslevy
29. Suuri harja integroidulla kaapimella

Kokoonpano

	F S M H 1 3 2 1	B H S M 1 6 8 D	B H S M 1 6 8 U	B H S M 1 6 6 D S M	B H S M 1 6 8 D S M	B H S M 1 6 9 D S M	B H S M 1 6 1 0 D S M	B H S M 1 6 1 5 D S M	B H S M 1 6 1 5 D S G	B H S M 1 6 1 5 D A M	S E T T I N G S
12	✓										Kaikki
12a		✓	✓	✓	✓	✓	✓	✓	✓	✓	Kaikki
12d		✓	✓	✓	✓	✓	✓	✓	✓	✓	Kaikki
13	✓	✓	✓	✓	✓	✓	✓	✓	✓	✓	Kaikki
16	✓	✓	✓	✓	✓	✓	✓	✓	✓	✓	Kaikki
18	✓	✓	✓	✓	✓	✓	✓	✓	✓		*
18a					✓		✓				...
19	✓	✓	✓	✓	✓	✓	✓	✓	✓		...
20	✓		✓	✓		✓					*
20a	✓		✓	✓		✓					*
21		✓	✓			✓		✓	✓	✓	*
21a						✓		✓	✓	✓	*
22					✓		✓			✓	Kaikki
22a					✓		✓			✓	Kaikki
22b					✓		✓			✓	Kaikki
22c					✓		✓			✓	Kaikki
23		✓	✓	✓	✓	✓	✓	✓	✓	✓	Kaikki
24			✓	✓	✓	✓	✓	✓	✓	✓	Kaikki
25			✓	✓	✓	✓	✓	✓	✓	✓	Kaikki
26			✓	✓	✓	✓	✓	✓	✓	✓	Kaikki
27								✓	✓	✓	Kaikki
28								✓	✓	✓	Kaikki
29								✓	✓		Kaikki

Asennus



Varoitus! Ennen kuin yrität suorittaa mitään seuraavista toimenpiteistä, varmista, että laitteen virta on katkaistu, sähköpistoke on irrotettu sähköverkosta, laite on kylmä eikä se sisällä vettä.

Kahvan kiinnittäminen (kuva A)

- ◆ Työnnä kahvan alaosa (8) höyrymopin rungon yläosaan (11) niin, että se napsahtaa paikalleen.

Käsin pidettävän höyrypuhdistuslaitteen kiinnittäminen (kuva B)

- ◆ Tartu höyrymopin rungon (11) takaosaan ja työnnä käsin pidettävä höyrypuhdistuslaite (5) tukevasti höyrymopin runkoon (11) varmistamalla, että se on oikein kiinnitetty liitoskohtaan (11a) ja se napsahtaa paikalleen.

Käsin pidettävän höyrypuhdistuslaitteen irrottaminen (kuva B)

- ◆ Paina päärungon (11) vapautuspainiketta (10) ja nosta käsin pidettävä höyrypuhdistuslaite (5) irti liitoksesta (11a) ja pois päärungosta (11).

Puhdistuslevyn kiinnittäminen (kuva C)

Vaihtopuhdistuslevyjä saat BLACK+DECKER-jälleenmyyjältä (tuotenro FSMP20-XJ).

- ◆ Aseta puhdistuslevy (13) lattialle niin, että tarranauhapuoli on ylöspäin.
- ◆ Paina höyrymoppi kevyesti puhdistuslevyn (13) päälle.

Huomautus: Tämä yksikkö voi sisältää vakiomallisen lattian puhdistuspään (12) tai höyrytyksen puhdistuspään (12a). Asenna puhdistuslevy joka tapauksessa näiden ohjeiden mukaisesti.

Huomio! Älä jätä höyrymoppia pidemmäksi ajaksi yhteen paikkaan. Aseta höyrymoppi paikoilleen aina niin, että kahva (8) on pystyasennossa. Varmista, että höyrymopin virta on katkaistu, kun laite ei ole käytössä.

Puhdistuslevyn irrottaminen

Huomio! Käytä aina sopivia kenkiä höyrymopin puhdistuslevyn vaihdon aikana.

Älä käytä sandaaleja tai kärjestään avoimia jalkineita.

- ◆ Palauta kahva (8) pystyasentoon ja katkaise höyrymopin virta.
- ◆ Odota, kunnes höyrymoppi on jäähtynyt (n. 5 minuuttia).
- ◆ Nosta höyrymoppi pois puhdistuslevystä ja irrota se tarranauhakiinnityksestä.

Huomio! Älä jätä höyrymoppia pidemmäksi ajaksi yhteen paikkaan.

Aseta höyrymoppi paikoilleen aina niin, että kahva (8) on pystyasennossa. Varmista, että höyrymopin virta on katkaistu, kun laite ei ole käytössä.

Vesisäiliön täyttäminen (kuva O)

Huomautus! Täytä vesisäiliö puhtaalla hanavedellä (älä käytä kemikaaleja tai lisäaineita).

Huomautus! Jos vesi on kovaa, suosittelemme deionisoidun veden käyttöä.

- ◆ Avaa säiliön kansi (4) kääntämällä se ylös.
- ◆ Täytä vesisäiliö vedellä (älä käytä kemikaaleja tai lisäaineita).

Varoitus! Kun haluat täyttää säiliön, irrota se pääyksiköstä ja pidä se vaaka-asennossa.

Varoitus! Vesisäiliön tilavuus on 0,5 litraa. Älä täytä säiliötä liikaa.

- ◆ Sulje säiliön kansi (4).

Huomautus! Varmista, että säiliön kansi on kunnolla paikallaan.

Mattokappaleen kiinnittäminen (12d) (vain mattoihin)

- ◆ Aseta mattokappale (12d) lattialle.
- ◆ Kiinnitä puhdistuslevy lattian puhdistuspäähän (12,12a)
- ◆ Paina höyrymoppi kevyesti mattokappaleen (12d) päälle niin, että se napsahtaa paikalleen.

Huomio! Älä jätä höyrymoppia pidemmäksi ajaksi yhteen paikkaan. Aseta höyrymoppi paikoilleen aina niin, että kahva (8) on pystyasennossa. Varmista, että höyrymopin virta on katkaistu, kun laite ei ole käytössä.

Mattokappaleen irrottaminen

Huomio! Käytä aina sopivia kenkiä höyrymopin mattokappaleen vaihdon aikana. Älä käytä sandaaleja tai kärjestään avoimia jalkineita.

- ◆ Palauta kahva (8) pystyasentoon ja katkaise höyrymopin virta.
- ◆ Odota, kunnes höyrymoppi on jäähtynyt (n. 5 minuuttia).
- ◆ Aseta kenkäsi kärki mattokappaleen irrotuskielekkeen päälle ja paina sitä voimakkaasti.
- ◆ Nosta höyrymoppi irti mattokappaleesta.

Huomio! Älä jätä höyrymoppia pidemmäksi ajaksi yhteen paikkaan. Aseta höyrymoppi paikoilleen aina niin, että kahva (8) on pystyasennossa. Varmista, että höyrymopin virta on katkaistu, kun laite ei ole käytössä.

Deltapää (kuva D)

Tässä höyrymopissa on sisäänrakennettu deltapää, jolla voidaan puhdistaa ahtaat nurkat ja kapeat raot. **Huomio!** Käytä aina sopivia kenkiä, kun käytät höyrymopissa deltapäätä. Älä käytä sandaaleja tai kärjestään avoimia jalkineita.

- ◆ Kytke höyrymoppi pois päältä.
- ◆ Odota, kunnes höyrymoppi on jäähtynyt (noin viisi minuuttia).
- ◆ Aseta kenkäsi kärki höyrytyspään irrotuskielekkeen (12c) päälle ja paina sitä varovasti.
- ◆ Nosta deltapää (12b) irti höyrytyspäästä (12a)
- ◆ Kiinnitä deltapään puhdistuslevy deltapään alaosaan.

Huomautus! Irrota puhdistuslevy ennen deltapään kiinnittämistä takaisin höyrytyspäähän.

- ◆ Jos haluat kiinnittää deltapään uudelleen paikalleen, aseta deltapään kärki höyrytyspäähän, paina deltapäätä voimakkaasti ja varmista, että se napsahtaa paikalleen.

Letkun ja lisävarusteiden kiinnittäminen käsin pidettävään höyrypuhdistuslaitteeseen (kuvat G - M)

Varoitus! Tarkista käsin pidettävän höyrypuhdistuslaitteen (5) ja höyryletkun (16) välinen liittäntä ennen jokaista käyttökertaa. Jos sinetti on virheellinen tai se on vahingoittunut, ota yhteyttä lähimpään valtuutettuun huoltoliikkeeseen.

Älä käytä laitetta.

Letkun kiinnittäminen

- ◆ Paina höyryletkun vapautuspainiketta (16a) höyryletkussa (16).
- ◆ Liitä höyryletku (16) käsin pidettävään höyrypuhdistuslaitteeseen (5) ja vapauta höyryletkun vapautuspainike (16a) varmistaen, että se napsahtaa paikoilleen.

Tärkeää! Varmista, että höyryletku (16) on kiinnitetty tiukasti käsin pidettävään höyrypuhdistuslaitteeseen (5). Jos liitoksesta tulee höyryä, letku on asennettu oikein. Sammuta laite ja anna sen jäähtyä, irrota ja asenna letku sen jälkeen.

Lisävarusteiden kiinnittäminen (kuva H)

- ◆ Kohdista höyrystin (17) olevat korvakkeet lisävarusteeseen oleviin syvennyksiin.
- ◆ Paina lisävaruste höyrystintimeen (17) ja kierrä lisävarustetta vastapäivään, kunnes se napsahtaa paikalleen.

Tärkeää! Kaikki sellaiset lisävarusteet, SteaMitt™ (24) -varustetta lukuun ottamatta, joissa on erillinen letku ja liittin (25), tulee liittää höyryletkuun (16) käyttöä varten.

Letkun ja lisävarusteiden irrottaminen

Varoitus! Höyryletku (16), höyrystin (17) ja lisävarusteet kuumenevat käytön aikana. Anna laitteen ja kaikkien lisävarusteiden jäähtyä ennen niiden irrottamista.

Lisävarusteen irrottaminen

- ◆ Kierrä lisävarustetta myötäpäivään ja vedä sitä letkusta (16) pois päin.

Letkun irrottaminen

- ◆ Paina höyryletkussa (16) olevaa höyryletkun vapautuspainiketta (16a) ja vedä se irti käsin pidettävästä höyrytysyksiköstä.

SteaMitt™

BLACK+DECKER™ SteaMitt™ on tarkoitettu laattojen, työtaisojen sekä keittiön ja kylpyhuoneen pintojen puhdistamiseen ja desinfiointiin. Laite on tarkoitettu ainoastaan sisätiloissa tapahtuvaan kotitalouskäyttöön.

SteaMitt™-letkun liittäminen käsin pidettävään höyrytysyksikköön

Varoitus! Tarkista höyrystintimen ja letkun sinetti ennen jokaista käyttökertaa. Jos sinetti puuttuu tai se on vahingoittunut, ota yhteyttä lähimpään valtuutettuun huoltoliikkeeseen.

Älä käytä laitetta. Tarkista SteaMitt™-laitteen tiiviste ja letku.

Jos tiiviste puuttuu tai se on vaurioitunut tai jos laitteesta pääsee höyryä, ota yhteyttä lähimpään valtuutettuun huoltoliikkeeseen. **Älä käytä laitetta.** Varmista, ettei SteaMitt™-laitteen letkussa tai liitosletkussa ole tukoksia tai esteitä. Jos havaitset tukoksia, ota yhteyttä lähimpään valtuutettuun huoltoliikkeeseen. **Älä käytä laitetta.**

Puhdistuslevyn asentaminen SteaMitt™-laitteeseen (kuva J)

Varoitus! Varmista, ettei höyrypoistoaukoissa ole tukoksia tai esteitä. Jos tukoksia havaitaan, ota yhteyttä lähimpään valtuutettuun huoltoliikkeeseen. **Älä käytä laitetta.**

- ◆ Kiinnitä puhdistuslevy (26) SteaMitt™ (24) -laitteeseen kiinnittämällä puhdistuslevyn yläosassa olevien tarra-aukkojen (26a) 'silmut' tarra-alustojen (24a) 'koukkuihin', joka on SteaMitt™ (24) -laitteen alaosassa. Paina lujasti.

Varoitus! SteaMitt™-laitetta ei saa käyttää ilman puhdistuslevyä.

Huomautus: SteaMitt™-laitteessa voidaan käyttää neljänlaisia puhdistuslevyjä, joiden paksuus vaihtelee. Hankauslevy (vaikeisiin tahroihin ja kestäviin pintoihin). Pesuhuoneen levy (hanoihin ja muihin muotoiltuihin kylpyhuoneen pintoihin), peruslevy (kaikkiin suurempiin pintoihin) ja kiillotuslevy (arkalatuisiin pintoihin).

⚠ **Varoitus!** Käytä aina SteaMitt™ -laitetta kuvan M mukaisesti pitäen kättä suojahanskan sisällä.

Varoitus! Älä koskaan yritä käyttää SteaMitt™-laitetta

tarttumalla siihen ulkoapäin kuvan N mukaisesti. Muutoin seurauksena on palovamma.

⚠ **Varoitus!** Vältä käyttämästä SteaMitt™ -laitetta tiukissa nurkissa kuvan O mukaisesti.

Varoitus! Jos käytön aikana esiintyy ongelmia, poista SteaMitt™ -laite nopeasti kädestä käyttäen pikavapautussalppaa kuvan P mukaisesti.

⚠ **Varoitus!** Älä käytä SteaMitt™-laitetta kylmään lasiin (kuten ikkunoihin), sillä äkillinen lämpötilamuutos voi aiheuttaa vaurioita.

⚠ **Varoitus!** Älä koskaan kohdista tai suuntaa puhdistusalustaa itseesi tai muihin päin.

Huomautus: Muunneltava höyrystin kytketty pois, kun SteaMitt™ asennetaan ja höyryvirtaus on tällöin rajoitettu.

Käyttö

Tärkeää! Tämä laite tappaa 99,9 % bakteereista ja basilleista, kun sitä käytetään tämän oppaan ohjeiden mukaisesti 90 sekunnin ajan mikrokuittulevyt asennettuna.

Käynnistäminen ja sammuttaminen

- ◆ Kytke laite päälle painamalla virtakytkintä (1). Höyrymoppi lämpenee noin 20 sekunnissa.
- ◆ Kytke laite pois päältä painamalla virtakytkintä (1).

Huomautus: Aseta käsi aina SteaMitt™-laitteen sisälle ennen kuin painat höyrytyspainiketta.

Huomio! Älä jätä höyrymoppia pidemmäksi ajaksi yhteen paikkaan.

Aseta höyrymoppi paikoilleen aina niin, että kahva (8) on pystyasennossa. Varmista, että höyrymopin virta on katkaistu, kun laite ei ole käytössä.

Huomio! Tyhjä höyrymoppi aina käytön jälkeen.

Huomautus! Höyryn muodostuminen voi kestää 45 sekuntia ensimmäisen täyden tai kuivakäytön jälkeen.

Autoselect™-teknologia (kuva P)

Tässä höyrymopissa on Autoselect™-säädin (2), joka näyttää eri puhdistusovellukset. Näiden avulla voidaan valita puhdistustehtävän kannalta oikea toimintatila.

Autoselect™-painikkeen avulla voidaan valita seuraavat sovellukset. Käännä Autoselect™-säädintä (2), kunnes haluttu asetus on valittuna.

Asetus	Moppi	Käsin pidettävä
	Puu/laminaatti	Matala höyryvirta ●
	Laatta/vinyyli	Keskivoimakas höyryvirta ● ●
	Kivi/marmori	Voimakas höyryvirta ● ● ●

Höyrymoppi valitsee puhdistustehtävän kannalta oikean määrän höyryä.

Huomautus: Tarkista aina ennen höyrymopin käyttöä, että käytät oikeaa asetusta.

Vinkkejä parhaimman tuloksen saavuttamiseksi

Yleistä

Huomio: Älä koskaan käytä höyrymoppia ilman puhdistuslevyä.

- ◆ Imuroi tai lakaise lattia aina ennen höyrymopin käyttöä.
- ◆ Helpoin tapa käyttää laitetta on kallistaa kahva 45° asteen kulmaan ja puhdistaa hitaasti pieni alue kerrallaan.
- ◆ Käytä höyrymopissa ainoastaan vettä. Älä käytä lisäaineita tai kemikaaleja. Vinyyli- tai linoleumilattioilla olevat pinttyneet tahrat voidaan poistaa käsittelemällä ne miedolla puhdistusaineella ja vedellä ennen höyrymopin käyttöä.

Höyrypuhdistus mopin avulla

- ◆ Kiinnitä käsin pidettävä höyrypuhdistuslaite (5) höyrymopin runkoon (11).
- ◆ Aseta puhdistuslevy (13) lattialle niin, että tarranauhapuoli on ylöspäin.
- ◆ Paina höyrymoppi kevyesti puhdistuslevyn (13) päälle.
- ◆ Kytke höyrymoppi verkkovirtaan.
- ◆ Paina virtakytkintä (1). Höyrymoppi lämpenee noin 15 sekunnissa.
- ◆ Kierrä Autoselect™-säädintä (2), kunnes saavutat vaaditun asetuksen. Muutaman sekunnin kuluttua höyrytyspäästä alkaa nousta höyryä.

Huomautus! Höyryn muodostuminen voi kestää 45 sekuntia ensimmäisen täyden tai kuivakäytön jälkeen.

- ◆ Kestää muutaman sekunnin, ennen kuin höyry pääsee puhdistuslevyyn. Höyrymoppi liikuu nyt kevyesti puhdistettavan tai desinfioitavan pinnan yli.
- ◆ Puhdista pinta perusteellisesti liikuttamalla höyrymoppia hitaasti työntämällä ja vetämällä.
- ◆ Aseta kahva (8) takaisin pystyasentoon höyrymopin käytön jälkeen varmistaen, että se on tuettuna. Katkaise laitteen virta. Odota, kunnes höyrymoppi on jäähtynyt (noin viisi minuuttia).

Huomio! On tärkeää valvoa vesisäiliössä olevan veden määrää. Jos haluat täyttää vesisäiliön ja jatkaa puhdistamista tai desinfiointia, aseta moppi pystyasentoon ja varmista, että kahva on tuettuna, katkaise höyrymopin virta. Irrota laite pistorasiasta ja täytä vesisäiliö.

Huomio! Älä jätä höyrymoppia pidemmäksi ajaksi yhteen paikkaan.

Aseta höyrymoppi paikoilleen aina niin, että kahva (8) on pystyasennossa. Varmista, että höyrymopin virta on katkaistu, kun laite ei ole käytössä.

Mattojen siistiminen

- ◆ Aseta puhdistuslevy (13) lattialle niin, että silmukkapuoli on ylöspäin.
- ◆ Paina höyrymoppi kevyesti puhdistuslevyn päälle.
- ◆ Aseta mattokappale (12d) lattialle.
- ◆ Paina höyrymoppi kevyesti mattokappaleen päälle niin, että se napsahtaa paikalleen.
- ◆ Kytke höyrymoppi verkkovirtaan.
- ◆ Paina virtakytkintä (1). Höyrymoppi lämpenee noin 15 sekunnissa.
- ◆ Kierrä Autoselect™-säädintä (2) Puu/laminaatti-asetuksen kohdalle.
- ◆ Siisti matto perusteellisesti liikuttamalla höyrymoppia hitaasti työntämällä ja vetämällä.
- ◆ Aseta kahva (8) takaisin pystyasentoon höyrymopin käytön jälkeen ja katkaise laitteesta virta. Odota, kunnes höyrymoppi on jäähtynyt (noin viisi minuuttia).

Käytön jälkeen

- ◆ Kierrä Autoselect™-säädin (2) pois päältä.
- ◆ Odota, kunnes höyrymoppi on jäähtynyt.
- ◆ Irrota höyrymoppi pistorasiasta.
- ◆ Tyhjennä vesisäiliö.
- ◆ Poista puhdistuslevy (13) ja pese se valmiiksi seuraavaa käyttökertaa varten (noudata puhdistuslevyn painettuja pesuohjeita).
- ◆ Kääri virtajohto johtokoukkujen (7 ja 9) ympärille.
- ◆ Kädensijassa (6) on ripustuspidike (15), jonka avulla höyrymoppi voidaan ripustaa seinällä olevaan koukkuun. Varmista aina, että seinäkoukku pystyy kantamaan höyrymopin painon turvallisesti.
- ◆ Kahvassa on lisäksi kuminen pysäytin, joka mahdollistaa höyrymopin asettamisen varmasti pystysuoraan pintaa vasten.

Puhdistaminen käsin pidettävän höyrypuhdistuslaitteen avulla

Varoitus! Laite ei tuote höyryä, ellei sitä ole liitetty päärunkoon (11) tai jos höyryletkua (16) ei ole asennettu.

Varoitus! Käytä ainoastaan vaaka-asennossa.

- ◆ Kiinnitä tarvittava lisävaruste.
- ◆ Kytke käsin pidettävä höyrypuhdistuslaite pistorasiaan.
- ◆ Paina virtakytkintä (1). Höyrymoppi lämpenee noin 15 sekunnissa.
- ◆ Kierrä Autoselect™-säädintä (2), kunnes saavutat vaaditun asetuksen. Muutaman sekunnin kuluttua höyrytyspäästä alkaa nousta höyryä.

Huomautus! Höyryn muodostuminen voi kestää 45 sekuntia ensimmäisen täytön tai kuivakäytön jälkeen.

- ◆ Kun olet lopettanut käsin pidettävän höyrypuhdistuslaitteen käytön, käännä Autoselect™-säädin (2) pois päältä. Kytke laite pois päältä painamalla virtapainiketta (1) ja irrota se pistorasiasta. Odota, että laite jäähtyy ennen sen asettamista säilöön (noin viisi minuuttia).

Lisävarusteet

Laitteen suorituskyky riippuu käytetystä lisävarusteesta. Korkealaatuiset BLACK+DECKER-lisävarusteet on suunniteltu parantamaan laitteen suorituskykyä. Käyttämällä näitä lisävarusteita saat laitteestasi parhaan hyödyn.

Tekniset tiedot

	Jännite	Sähkö- työkulut	Säiliön tilavuus	Lämmitysaika	Kaapelin pituus	Paino
	V _e	W	ml	sekuntia	m	kg
FSMH1321	230	1600	500	≤20	6	2,7
BHSM168D	230	1600	500	≤20	6	2,8
BHSM168U	230	1600	500	≤20	6	2,8
BHSM168DSM	230	1600	500	≤20	6	2,8
BHSM161SDSM	230	1600	500	≤20	7	2,9
BHSM161SDAM	230	1600	500	≤20	7	2,9

BHSM161SDSG	230	1600	500	≤20	8	2,9
BHSM168DSM	230	1600	500	≤20	8	2,9
BHSM169DSM	230	1600	500	≤20	8	2,9
BHSM1610DSM	230	1600	500	≤20	8	2,9

Vianetsintä

Jos laite ei näytä toimivan oikein, noudata seuraavia ohjeita. Jos tämä ei auta, ota yhteys paikalliseen BLACK+DECKER-huoltoliikkeeseen.

Ongelma	Vaihe	Mahdollinen ratkaisu
Höyrymoppia ei ole kytketty päälle	1.	Tarkista, että laite on kytketty pistorasiaan.
	2.	Tarkista, että laite on kytketty päälle virtakytkimestä (1)
	3.	Tarkista pistokkeen sulake.
Höyrymoppi ei tuota höyryä	4.	Höyrymoppi tuottaa höyryä vain silloin, kun käsin pidettävä höyrypuhdistuslaite (5) on asennettu oikein päärunkoon (11) tai höyryletku on liitetty tai Autoselect™ on kytketty päälle.
	5.	Tarkista, että vesisäiliö on täysi. Huomautus: Höyryn muodostuminen voi kestää 45 sekuntia ensimmäisen täytön tai kuivakäytön jälkeen.
	6.	Tarkista kohta 1, 2 ja 3.
Höyrymoppi lakkaa tuottamasta höyryä käytön aikana	7.	Tarkista kohta 4, 5 ja 3.
Höyrymoppi tuottaa liian paljon höyryä käytön aikana	8.	Käännä Autoselect™-säädintä (2) vastapäivään höyrytystehon laskemiseksi.
Höyrymoppi tuottaa liian vähän höyryä käytön aikana	9.	Käännä Autoselect™-säädintä (2) myötäpäivään höyrytystehon lisäämiseksi.
Käsin pidettävä höyrypuhdistuslaite ei tuota höyryä	10.	Tarkista, että Autoselect™-säädin (2) on kytketty päälle.
	11.	Tarkista kohta 5 ja sen jälkeen 1, 2 ja 3.
Käsin pidettävä höyrypuhdistuslaite tuottaa liian vähän höyryä käytön aikana	12.	Käännä Autoselect™-säädintä (2) myötäpäivään höyrytystehon lisäämiseksi.
	13.	Tarkista kohta 5
Käsin pidettävä höyrypuhdistuslaite tuottaa liian paljon höyryä käytön aikana	14.	Käännä Autoselect™-säädintä (2) vastapäivään höyrytystehon laskemiseksi.
Lisävarusteet irtoavat laitteesta	15.	Katso laitteen osien ja lisävarusteiden asennusohjeet asennuskappaleesta.
Höyryä tulee odottamattomista kohtaa laitteesta	16.	Katso laitteen osien ja lisävarusteiden asennusohjeet asennuskappaleesta.
Lisätietoa ja lisävarusteita	17.	www.blackanddecker.co.uk/steammp www.blackanddecker.ie/steammp

Hoito ja puhdistus

BLACK+DECKER johdollinen laite on suunniteltu toimimaan mahdollisimman pitkän aikaa mahdollisimman vähällä huollolla. Oikea käsittely ja säännöllinen puhdistus varmistavat laitteen ongelmattoman toiminnan.

Varoitus! Katkaise johdolleesta laitteesta virta ja irrota virtajohto pistorasiasta aina ennen huoltotoimenpiteiden suorittamista.

- ◆ Pyyhi laite pehmeällä, kostealla liinalla.
- ◆ Pinttynyt lika voidaan poistaa miedolla saippuavesiliuoksella kostutetulla liinalla.

Puhdistuslevyn hoito

Pesuohteet - Levyt voidaan pestä 60 °C lämpötilassa. Älä käytä huuhteluainetta. Anna kuivua kokonaan ennen uudelleenkäyttöä.

Huomio! Noudata puhdistuslevyn tarraan painettuja puhdistusohjeita.

Varaverkkopistoke (vain Iso-Britannia ja Irlanti)

Jos uusi verkkopistoke täytyy asentaa:

- ◆ Hävitä vanha pistoke ympäristöstävällisesti.
- ◆ Liitä ruskea johto uuden pistokkeen jännitteeseen napaan.
- ◆ Liitä sininen johto tähtipisteliittimeen.
- ◆ Liitä vihreä/keltainen johdin maadoitusliitäntään.

Varoitus! Noudata korkealaatuisten pistokkeiden mukana toimitettuja asennusohjeita. Suositeltu varoke: 13A.

Ympäristönsuojelu



Toimita tämä laite erilliskeräykseen. Tällä symbolilla merkityjä tuotteita ja akkuja ei saa hävittää tavallisen kotitalousjätteen mukana

Tuotteissa ja akuissa on materiaaleja, jotka voidaan ottaa talteen tai kierrättää uudelleen käyttöä varten. Kierrätä sähkölaitteet ja akut paikallisten määräyksien mukaan. Lisätietoa on saatavilla osoitteessa www.2helpU.com

Takuu

Black & Decker on vakuuttanut tuotteidensa korkeasta laadusta ja tarjoaa kuluttajille 24 kuukauden takuun, joka astuu voimaan ostopäivänä. Takuu on lisäys kuluttajan laillisiin oikeuksiin eikä vaikuta niihin. Tämä takuu on voimassa kaikissa EU- ja ETA-maissa.

Edellytyksenä takuun saamiselle on, että vaade täyttää Black & Deckerin ehdot ja että ostaja toimittaa ostotositteen jälleenmyyjälle tai valtuutetulle huoltoliikkeelle. Black&Deckerin kahden vuoden takuun ehdot ja lähimmän valtuutetun korjauspalvelun yhteystiedot ovat saatavilla osoitteessa www.2helpU.com tai ottamalla yhteyttä paikalliseen Black & Deckerin toimipisteeseen tässä ohjekirjassa ilmoitettuihin osoitteisiin.

Käy verkkosivullamme osoitteessa www.blackanddecker.fi ja rekisteröi uusi Black & Decker -tuotteesi saadaksesi tietoa uusista tuotteista ja erikoistarjouksista.

Προβλεπόμενη χρήση

Η ηλεκτρική σφουγγαρίστρα ατμού BLACK+DECKER™ FSMH1321, BHSM166DSM, BHSM168D, BHSM168DSM, BHSM168U, BHSM169DSM, BHSM1610DSM, BHSM1615DSM, BHSM1615DSG, BHSM1615DAM έχει σχεδιαστεί για την απολύμανση και τον καθαρισμό δαπέδων από στεγανοποιημένο σκληρό ξύλο, στεγανοποιημένο πολυστρωματικό υλικό (λαμινέ), λινόπαπτα, βινύλιο, κεραμικά πλακίδια, πέτρα και μάρμαρο. Η συσκευή αυτή προορίζεται μόνο για οικιακή χρήση σε εσωτερικούς χώρους.

Οδηγίες ασφαλείας



Προειδοποίηση! Διαβάστε όλες τις προειδοποιήσεις ασφαλείας και όλες τις οδηγίες. Η μη τήρηση των παρακάτω προειδοποιήσεων και οδηγιών μπορεί να προκαλέσει ηλεκτροπληξία, πυρκαγιά και/ή σοβαρές σωματικές βλάβες.



Προειδοποίηση! Κατά τη χρήση συσκευών που τροφοδοτούνται με ηλεκτρικό ρεύμα δικτύου, θα πρέπει να λαμβάνονται πάντα οι βασικές προφυλάξεις ασφαλείας, συμπεριλαμβανομένων και των παρακάτω, για τον περιορισμό του κινδύνου πυρκαγιάς, ηλεκτροπληξίας, τραυματισμού και υλικών ζημιών.

- ◆ Η προβλεπόμενη χρήση περιγράφεται στο παρόν εγχειρίδιο.
- ◆ Τόσο η χρήση οποιουδήποτε αξεσουάρ ή προσαρτήματος, όσο και η πραγματοποίηση με αυτή τη συσκευή οποιουδήποτε εργασίας, πέραν αυτών που συνιστώνται στο παρόν εγχειρίδιο οδηγιών, μπορεί να εγκυμονεί κίνδυνο τραυματισμού.

- ♦ Φυλάξτε αυτό το εγχειρίδιο για μελλοντική αναφορά.

Χρήση της συσκευής

- ♦ Μην κατευθύνετε τον ατμό προς ανθρώπους, ζώα, ηλεκτρικές συσκευές ή πρίζες.
- ♦ Μην εκθέτετε τη συσκευή σε βροχή.
- ♦ Μην βυθίζετε τη συσκευή σε νερό.
- ♦ Μην αφήνετε τη συσκευή χωρίς επίβλεψη.
- ♦ Μην αφήνετε τη συσκευή συνδεδεμένη σε πρίζα όταν δεν είναι σε χρήση.
- ♦ Ποτέ μην αποσυνδέετε τη συσκευή από την πρίζα τραβώντας το καλώδιο τροφοδοσίας της. Διατηρείτε το καλώδιο τροφοδοσίας μακριά από πηγές θερμότητας, λάδια και αιχμηρά άκρα.
- ♦ Μην χειρίζεστε με βρεγμένα χέρια τη συσκευή καθαρισμού με ατμό.
- ♦ Μην τραβάτε ή μεταφέρετε τη συσκευή από το καλώδιο, μη χρησιμοποιείτε το καλώδιο ως λαβή, μην κλείνετε πόρτες πάνω στο καλώδιο, μην τραβάτε το καλώδιο γύρω από αιχμηρές γωνίες και μην εκθέτετε το καλώδιο σε θερμαινόμενες επιφάνειες.
- ♦ Μην χρησιμοποιείτε τη συσκευή σε κλειστό χώρο στον οποίο υπάρχουν ατμοί που εκπέμπονται από διαλυτικό μπιγιές με βάση το λάδι, ορισμένες ουσίες κατά των σκόρων, εύφλεκτη σκόνη ή άλλοι εκρηκτικοί ή τοξικοί ατμοί.
- ♦ Συμβουλευτείτε τον κατασκευαστή του δαπέδου σχετικά με το ακριβές είδος του.

- ♦ Μην χρησιμοποιείτε τη συσκευή σε δέρμα, έπιπλα ή δάπεδα γυαλισμένα με κερί, συνθετικά υφάσματα, βελούδο ή άλλα υλικά που είναι ευαίσθητα στον ατμό.



Προειδοποίηση! Μην χρησιμοποιείτε τη συσκευή σε μη στεγανοποιημένα δάπεδα από ξύλο ή πολυστρωματικό υλικό (λαμινέ). Σε επιφάνειες που έχουν υποστεί επεξεργασία με κερί ή σε ορισμένα δάπεδα που δεν κερώνονται, η λάμψη μπορεί να απομακρυνθεί από τη θερμότητα και τη δράση του ατμού. Συνιστάται πάντα να εκτελείτε μια δοκιμή σε μια απομονωμένη περιοχή της επιφάνειας που χρειάζεται να καθαριστεί πριν προχωρήσετε. Επίσης συνιστούμε να ελέγχετε τις οδηγίες χρήσης και φροντίδας από τον κατασκευαστή του δαπέδου.

- ♦ Ποτέ μην προσθέτετε στη συσκευή καθαρισμού με ατμό προϊόντα απομάκρυνσης αλάτων, αρωματικά, οινόπνευματώδη ή απορρυπαντικά προϊόντα, καθώς αυτό μπορεί να προκαλέσει ζημιά ή να τον καταστήσει ανασφαλής για χρήση.
- ♦ Εάν ενεργοποιηθεί ο ασφαλειοδιακόπτης του σπιτιού ενώ χρησιμοποιείτε τη λειτουργία ατμού, διακόψτε αμέσως τη χρήση του προϊόντος και επικοινωνήστε με το κέντρο εξυπηρέτησης πελατών.

(Προσοχή στον κίνδυνο ηλεκτροπληξίας.)

- Η συσκευή εκπέμπει πολύ καυτό ατμό για την απολύμανση της περιοχής χρήσης. Αυτό σημαίνει ότι η κεφαλή ατμού, τα εξαρτήματα καθαρισμού και το εξάρτημα για τα χαλιά θερμαίνονται πολύ κατά τη χρήση.

Προσοχή! Να φοράτε πάντα κατάλληλα παπούτσια κατά τη χρήση και κατά την αλλαγή των αξεσουάρ της σφουγγαρίστρας ατμού. Μη φοράτε σαγιονάρες ή παπούτσια που αφήνουν τα δάχτυλα ακάλυπτα.

- Κατά τη χρήση το καπάκι μπορεί να θερμανθεί πολύ.
- Κατά τη χρήση μπορεί να διαφύγει ατμός από τη συσκευή. Η χρήση αυτής της συσκευής πρέπει να γίνεται με προσοχή. ΜΗΝ αγγίζετε οποιαδήποτε εξαρτήματα καθώς είναι δυνατό να θερμανθούν κατά τη χρήση.
- Απενεργοποιήστε τη συσκευή και επαναφέρετε τη λαβή σε όρθια θέση, πριν αφαιρέσετε το δοχείο νερού.
- Εάν διαπιστώσετε διαφυγή ατμού από το σώμα του ατμοκαθαριστή χειρός, απενεργοποιήστε και αποσυνδέστε τη μονάδα από την παροχή ρεύματος δικτύου και αφήστε την να κρυώσει. Επικοινωνήστε με το πλησιέστερο σε εσάς εξουσιοδοτημένο κέντρο επισκευών. Μη συνεχίσετε να χρησιμοποιείτε τη συσκευή.

Μετά τη χρήση

- Αποσυνδέστε τη συσκευή από την πρίζα και αφήνετέ τη να κρυώσει πριν τον καθαρισμό.
- Όταν η συσκευή δεν χρησιμοποιείται, πρέπει να φυλάσσεται σε ξηρό χώρο.
- Τα παιδιά δεν πρέπει να έχουν πρόσβαση σε αποθηκευμένες συσκευές.

Έλεγχος και επισκευές

- Αποσυνδέετε τη συσκευή από την πρίζα και αφήνετέ τη να κρυώσει, πριν την εκτέλεση οποιασδήποτε συντήρησης ή επισκευής.
- Πριν από τη χρήση, ελέγξτε τη συσκευή για εξαρτήματα που έχουν υποστεί ζημιά ή βλάβη. Ελέγξτε αν υπάρχουν σπασμένα εξαρτήματα, ζημιά σε διακόπτες και οτιδήποτε άλλο μπορεί να επηρεάσει τη λειτουργία της.
- Ελέγχετε τακτικά το καλώδιο ρεύματος για ζημιά.
- Μη χρησιμοποιήσετε τη συσκευή αν οποιοδήποτε εξάρτημά της έχει υποστεί ζημιά ή βλάβη.
- Φροντίζετε η επισκευή ή αντικατάσταση των εξαρτημάτων που τυχόν έχουν υποστεί ζημιά ή βλάβη να γίνεται από εξουσιοδοτημένο αντιπρόσωπο επισκευών.
- Μην επιχειρήσετε ποτέ να αφαιρέσετε ή να αντικαταστήσετε οποιοδήποτε εξάρτημα, εκτός από αυτά που καθορίζονται στο παρόν εγχειρίδιο.

Ασφάλεια τρίτων

- Αυτή η συσκευή μπορεί να χρησιμοποιηθεί από άτομα με μειωμένες σωματικές, αντιληπτικές ή διανοητικές ικανότητες ή άτομα χωρίς εμπειρία και γνώσεις, μόνο εφόσον επιτηρούνται ή τους έχουν δοθεί οδηγίες σχετικά με την ασφαλή χρήση της συσκευής και έχουν κατανοήσει τους κινδύνους που ενέχονται. Τα παιδιά δεν πρέπει να παίζουν με τη συσκευή.
- Τα παιδιά θα πρέπει να βρίσκονται υπό επίβλεψη ώστε να διασφαλίζεται ότι δεν παίζουν με τη συσκευή.
- Το φως πρέπει να αφαιρείται από την πρίζα πριν τον καθαρισμό ή τη συντήρηση της συσκευής.
- Το υγρό ή ο ατμός δεν πρέπει να κατευθύνεται προς εξοπλισμό που περιέχει ηλεκτρικά μέρη, όπως το εσωτερικό φούρνων.
- Η συσκευή πρέπει να βρίσκεται πάντα υπό επιτήρηση όταν είναι συνδεδεμένη με την παροχή ρεύματος δικτύου.
- Μη χρησιμοποιήσετε τη συσκευή εάν έχει πέσει ή εάν υπάρχουν ορατές ενδείξεις ζημιάς ή διαρροή.
- Κρατάτε τη συσκευή μακριά από παιδιά όταν τροφοδοτείται με ρεύμα ή κατά το διάστημα που κρυώνει μετά τη χρήση.
- Ποτέ μην κατευθύνετε το γάντι προς τον εαυτό σας ή οποιοδήποτε άλλο άτομο.

Υπολειπόμενοι κίνδυνοι

Κατά τη χρήση του εργαλείου μπορεί να δημιουργηθούν πρόσθετοι υπολειπόμενοι κίνδυνοι, οι οποίοι ενδέχεται να μη συμπεριλαμβάνονται στις προειδοποιήσεις ασφαλείας που εσωκλείονται.

Αυτοί οι κίνδυνοι μπορεί να προκληθούν από κακή χρήση, παρατεταμένη χρήση κλπ.

Παρά την εφαρμογή των σχετικών κανονισμών ασφαλείας και τη χρήση διατάξεων ασφαλείας, ορισμένοι υπολειπόμενοι κίνδυνοι δεν είναι δυνατό να αποφευχθούν. Σε αυτούς περιλαμβάνονται:

- Τραυματισμοί προκαλούμενοι από επαφή με οποιαδήποτε κινούμενα μέρη.
- Τραυματισμοί προκαλούμενοι από επαφή με καυτά εξαρτήματα.
- Τραυματισμοί προκαλούμενοι κατά την αλλαγή οποιωνδήποτε εξαρτημάτων ή αξεσουάρ.
- Τραυματισμοί προκαλούμενοι από παρατεταμένη χρήση της συσκευής. Όταν χρησιμοποιείτε οποιαδήποτε συσκευή για παρατεταμένες χρονικές περιόδους, βεβαιωθείτε να κάνετε τακτικά διαλείμματα.

Ασφαλής χρήση ηλεκτρικού ρεύματος



Προειδοποίηση!

Προειδοποίηση! Το προϊόν αυτό πρέπει να γειώνεται.

Ελέγχετε πάντα ότι η παροχή ρεύματος αντιστοιχεί στην τάση που αναφέρεται στην πινακίδα στοιχείων.

Τα φις ρευματοληψίας πρέπει να ταιριάζουν στην πρίζα. Σε καμία περίπτωση μην τροποποιήσετε το φις, με κανένα τρόπο.

Τα φις που δεν έχουν υποστεί τροποποιήσεις και οι κατάλληλες πρίζες μειώνουν τον κίνδυνο ηλεκτροπληξίας

- ♦ Αν το καλώδιο ρεύματος έχει υποστεί ζημιά, η αντικατάστασή του πρέπει να γίνει από τον κατασκευαστή ή από ένα εξουσιοδοτημένο κέντρο επισκευών της BLACK+DECKER, ώστε να μην αποτελέσει κίνδυνο.

Καλώδια επέκτασης και προϊόν κλάσης 1

- ♦ Επειδή η συσκευή σας είναι γειωμένη και κατασκευής κλάσης 1, πρέπει να χρησιμοποιείται καλώδιο 3 αγωγών.
- ♦ Χρησιμοποιείτε πάντα εγκεκριμένο καλώδιο επέκτασης, κατάλληλο για την ισχύ εισόδου αυτής της συσκευής (δείτε τα τεχνικά δεδομένα). Μπορείτε να χρησιμοποιήσετε ένα καλώδιο επέκτασης 1,50 mm² μήκους έως 30 m, χωρίς απώλειες απόδοσης του εργαλείου. Πριν από τη χρήση, ελέγξτε προσεκτικά το καλώδιο επέκτασης για σημάδια ζημιάς, φθοράς ή παλαιώσης. Αντικαταστήστε το καλώδιο επέκτασης αν παρουσιάσει ζημιά ή βλάβη. Όταν χρησιμοποιείτε καλώδιο σε καρούλι, πάντα ξετυλίγετε τελείως το καλώδιο.

Ετικέτες πάνω στη συσκευή

Τα ακόλουθα εικονογράμματα μαζί με τον κωδικό ημερομηνίας εμφανίζονται πάνω στη συσκευή.



ΠΡΟΣΟΧΗ! Καυτός ατμός



Στάζει νερό όταν χρησιμοποιείται ανάποδα



Διαφεύγει ατμός από όλες τις πλευρές



Μην αφήνετε το εργαλείο χωρίς επιτήρηση κοντά σε μικρά παιδιά



Πλύσιμο μόνο στο χέρι



ΠΡΟΣΟΧΗ! Καυτή επιφάνεια

Χαρακτηριστικά

Η συσκευή αυτή διαθέτει μερικά ή όλα από τα παρακάτω χαρακτηριστικά.

1. Διακόπτης ενεργοποίησης/ απενεργοποίησης (ON/OFF)
2. Περιστροφικός ρυθμιστής Autoselect™
3. Λαβή μονάδας ατμού χειρός
4. Τάπα πλήρωσης
5. Μονάδα ατμού χειρός
6. Λαβή
7. Άνω άγκιστρο τακτοποίησης καλωδίου
8. Κύρια λαβή
9. Κάτω άγκιστρο τακτοποίησης καλωδίου
10. Κουμπί απελευθέρωσης μονάδας ατμού χειρός
11. Κυρίως σώμα
12. Κεφαλή καθαρισμού δαπέδου
- 12a. Κεφαλή καθαρισμού δαπέδου με αποσπώσιμο τμήμα Δέλτα
- 12b. Κεφαλή Δέλτα
- 12c. Προεξοχή αφαίρεσης κεφαλής ατμού
- 12d. Εξάρτημα χαλιών (για χρήση πάνω σε χαλιά)
13. Εξάρτημα καθαρισμού δαπέδου
14. Προεξοχή απελευθέρωσης εξαρτήματος καθαρισμού δαπέδου
15. Στήριγμα ανάρτησης

16. Εύκαμπτος σωλήνας ατμού
17. Ακροφύσιο ατμού
18. Γωνιακό αξεσουάρ βούρτσας (για χρήση σε επίμονους λεκέδες)
- 18a. Γωνιακή βούρτσα (συρματόβουρτσα)
19. Αξεσουάρ βούρτσας (για χρήση σε πλακάκια / αρμούς)
20. Αξεσουάρ μάκτρο (για χρήση σε καμπίνες ντους / τζάμια / καθρέφτες / ρούχα / ταπετσαρίες επίπλων)
- 20a. Επένδυση μάκτρο
21. Αξεσουάρ μεγάλου μάκτρο (για χρήση σε καμπίνες ντους / τζάμια / καθρέφτες / ρούχα / ταπετσαρίες επίπλων)
- 21a. Επένδυση μεγάλου μάκτρο
22. Μονάδα βούρτσας με ριπή ατμού
- 22a. Συρματόβουρτσα με ριπή ατμού (για χρήση σε μπάρμπεκιου / φούρνους)
- 22b. Βούρτσα με ριπή ατμού (για χρήση σε μπάρμπεκιου / φούρνους / εστίες με φούρνο / βρύσες / αρμούς πλακιδίων)
- 22c. Πλατιά βρύση με ριπή ατμού (για χρήση σε μεγαλύτερες επιφάνειες εργασίας)
23. Εξάρτημα καθαρισμού στην κεφαλή Δέλτα.
24. SteaMitt™
25. Εύκαμπτος σωλήνας για SteaMitt™
26. Εξάρτημα καθαρισμού για SteaMitt™
27. Εξάρτημα καθαρισμού 2 για SteaMitt™
28. Υπερ-απορροφητικό εξάρτημα καθαρισμού δαπέδου
29. Μεγάλη βούρτσα με ενσωματωμένη ξύστρα

22					✓		✓			✓	Όλα
22a					✓		✓			✓	Όλα
22b					✓		✓			✓	Όλα
22c					✓		✓			✓	Όλα
23	✓	✓	✓	✓	✓	✓	✓	✓	✓	✓	Όλα
24				✓	✓	✓	✓	✓	✓	✓	Όλα
25				✓	✓	✓	✓	✓	✓	✓	Όλα
26				✓	✓	✓	✓	✓	✓	✓	Όλα
27								✓	✓	✓	Όλα
28								✓	✓	✓	Όλα
29								✓	✓	✓	Όλα

Συναρμολόγηση



Προειδοποίηση! Πριν επιχειρήσετε οποιαδήποτε από τις παρακάτω οδηγίες, βεβαιωθείτε ότι η συσκευή είναι απενεργοποιημένη, έχει αποσυνδεθεί από την πρίζα, είναι κρύα και δεν περιέχει καθόλου νερό.

Τοποθέτηση της λαβής (Εικ. Α)

- ◆ Εισάγετε το κάτω άκρο της λαβής (8) στο πάνω άκρο του σώματος (11) της ηλεκτρικής σκούπας ατμού μέχρι να ασφαλίσει στη θέση του με χαρακτηριστικό ήχο κλικ.

Σύνδεση του ατμοκαθαριστή χειρός (Εικ. Β)

- ◆ Κρατώντας το πίσω μέρος του σώματος της σφουγγαρίστρας ατμού (11) στρώστε τον ατμοκαθαριστή χειρός (5) σταθερά μέσα στο σώμα (11) της σφουγγαρίστρας ατμού και βεβαιωθείτε ότι εδράζεται σωστά πάνω από τη διασύνδεση (11a) και ασφαλίσει στη θέση του με χαρακτηριστικό ήχο κλικ.

Αφαίρεση του ατμοκαθαριστή χειρός (Εικ. Β)

- ◆ Πατήστε το κουμπί απελευθέρωσης (10) στο κυρίως σώμα (11) και ανυψώστε το καθαριστικό ατμού χειρός (5) από τη διασύνδεση (11a) απομακρυνόντάς το από το κυρίως σώμα (11).

Σύνδεση ενός εξαρτήματος καθαρισμού (Εικ. C)

Ανταλλακτικά εξάρτημα καθαρισμού διατίθενται από τα τοπικά σας σημεία πώλησης προϊόντων BLACK+DECKER:-(αρ. κατ. FSM20-XJ).

- ◆ Τοποθετήστε ένα εξάρτημα καθαρισμού (13) στο δάπεδο με την πλευρά με τις θηλιές νείτρο στραμμένη προς τα πάνω.
- ◆ Πιέστε ελαφρά τη σφουγγαρίστρα ατμού πάνω στο εξάρτημα καθαρισμού (13).

Σημείωση: Αυτή η μονάδα μπορεί να εξοπλιστεί με μια κανονική κεφαλή καθαρισμού δαπέδων (12) ή με μια κεφαλή καθαρισμού με ριπή ατμού (12a).

Διαμόρφωση

	F S M H 1 3 2 1	B H S M 1 6 8 D	B H S M 1 6 8 U	B H S M 1 6 6 D S M	B H S M 1 6 8 D S M	B H S M 1 6 9 D S M	B H S M 1 6 1 0 D S M	B H S M 1 6 1 1 5 D S M	B H S M 1 6 1 1 5 D S G	B H S M 1 6 1 1 5 D R A M	S E T T I N G S
12	✓										Όλα
12a		✓	✓	✓	✓	✓	✓	✓	✓	✓	Όλα
12d		✓	✓	✓	✓	✓	✓	✓	✓	✓	Όλα
13	✓	✓	✓	✓	✓	✓	✓	✓	✓	✓	Όλα
16	✓	✓	✓	✓	✓	✓	✓	✓	✓	✓	Όλα
18	✓	✓	✓	✓	✓	✓	✓	✓	✓	✓	*
18a						✓		✓			...
19	✓	✓	✓	✓	✓	✓	✓	✓	✓	✓	...
20	✓			✓	✓	✓	✓				*
20a	✓			✓	✓	✓	✓				*
21		✓	✓							✓	*
21a						✓	✓	✓	✓	✓	*

Και στις δύο περιπτώσεις χρησιμοποιήστε αυτές τις οδηγίες για να τοποθετήσετε ένα εξάρτημα καθαρισμού.

Προσοχή! Μην αφήνετε ποτέ τη σφουγγαρίστρα ατμού στο ίδιο σημείο σε οποιαδήποτε επιφάνεια για οποιοδήποτε χρονικό διάστημα. Πάντοτε τοποθετείτε τη σφουγγαρίστρα ατμού με τη λαβή (8) υποστηριζόμενη σε όρθια θέση όταν είναι σε στάση και βεβαιωθείτε ότι η σφουγγαρίστρα ατμού είναι απενεργοποιημένη όταν δεν χρησιμοποιείται.

Αφαίρεση ενός εξαρτήματος καθαρισμού

Προσοχή! Πάντα να φοράτε κατάλληλα παπούτσια όταν αλλάζετε το εξάρτημα καθαρισμού στη σφουγγαρίστρα ατμού. Μην φοράτε σαγιονάρες ή παπούτσια που αφήνουν τα δάχτυλα ακάλυπτα.

- ◆ Επαναφέρετε τη λαβή (8) σε όρθια θέση και θέστε τη σφουγγαρίστρα ατμού στη θέση απενεργοποίησης "OFF".
- ◆ Περιμένετε να κρυώσει η σφουγγαρίστρα ατμού (περίπου 5 λεπτά).
- ◆ Ανασηκώστε τη σφουγγαρίστρα ατμού και απομακρύνετε την από το εξάρτημα καθαρισμού ελευθερώνοντας την από τη σύνδεση με το velcro.

Προσοχή! Μην αφήνετε ποτέ τη σφουγγαρίστρα ατμού στο ίδιο σημείο σε οποιαδήποτε επιφάνεια για οποιοδήποτε χρονικό διάστημα.

Πάντοτε τοποθετείτε τη σφουγγαρίστρα ατμού με τη λαβή (8) υποστηριζόμενη σε όρθια θέση όταν είναι σε στάση και βεβαιωθείτε ότι η σφουγγαρίστρα ατμού είναι απενεργοποιημένη όταν δεν χρησιμοποιείται.

Γέμισμα του δοχείου νερού (Εικ. Ο)

Σημείωση! Γεμίστε το δοχείο νερού με καθαρό νερό βρύσης (μη χρησιμοποιείτε πρόσθετα ή χημικά).

Σημείωση! Σε περιοχές με σκληρό νερό, συνιστάται η χρήση απιονισμένου νερού.

- ◆ Ανοίξτε την τάπα πλήρωσης (4) ανασηκώνοντας την.
- ◆ Γεμίστε το δοχείο νερού μόνο με νερό (Μη χρησιμοποιείτε πρόσθετα ή χημικά).

Προειδοποίηση! Κατά το γέμισμα, αποσυνδέστε το από την κύρια μονάδα και διατηρείτε το σε οριζόντια θέση.

Προειδοποίηση! Το δοχείο νερού διαθέτει χωρητικότητα 0,5 λίτρου. Μην γεμίζετε υπερβολικά το δοχείο.

- ◆ Κλείστε την τάπα πλήρωσης (4).

Σημείωση! Βεβαιωθείτε ότι η τάπα πλήρωσης έχει κλείσει με ασφάλεια.

Σύνδεση του εξαρτήματος χαλιών (12d) (Για χρήση σε χαλιά μόνο)

- ◆ Τοποθετήστε το εξάρτημα χαλιών (12d) στο δάπεδο.
- ◆ Συνδέστε ένα εξάρτημα καθαρισμού στην κεφαλή καθαρισμού δαπέδου (12,12a)

- ◆ Πιέστε ελαφρά τη σφουγγαρίστρα ατμού πάνω στο εξάρτημα χαλιών (12d) μέχρι να ασφαλίσει με χαρακτηριστικό ήχο κλικ.

Προσοχή! Μην αφήνετε ποτέ τη σφουγγαρίστρα ατμού στο ίδιο σημείο σε οποιαδήποτε επιφάνεια για οποιοδήποτε χρονικό διάστημα. Πάντοτε τοποθετείτε τη σφουγγαρίστρα ατμού με τη λαβή (8) υποστηριζόμενη σε όρθια θέση όταν είναι σε στάση και βεβαιωθείτε ότι η σφουγγαρίστρα ατμού είναι απενεργοποιημένη όταν δεν χρησιμοποιείται.

Αφαίρεση του εξαρτήματος χαλιών

Προσοχή! Να φοράτε πάντα κατάλληλα παπούτσια, όταν αλλάζετε το εξάρτημα χαλιών στη σφουγγαρίστρα ατμού. Μη φοράτε σαγιονάρες ή παπούτσια που αφήνουν τα δάχτυλα ακάλυπτα.

- ◆ Επαναφέρετε τη λαβή (8) σε όρθια θέση και θέστε τη σφουγγαρίστρα ατμού στη θέση απενεργοποίησης "OFF".
- ◆ Περιμένετε να κρυώσει η σφουγγαρίστρα ατμού (περίπου 5 λεπτά).
- ◆ Τοποθετήστε το μπροστινό μέρος του παπουτσιού σας πάνω στην προεξοχή αφαίρεσης του εξαρτήματος χαλιών και πιέστε κάτω σταθερά.
- ◆ Ανυψώστε τη σφουγγαρίστρα ατμού από το εξάρτημα χαλιών.

Προσοχή! Μην αφήνετε ποτέ τη σφουγγαρίστρα ατμού στο ίδιο σημείο σε οποιαδήποτε επιφάνεια για οποιοδήποτε χρονικό διάστημα. Πάντοτε τοποθετείτε τη σφουγγαρίστρα ατμού με τη λαβή (8) υποστηριζόμενη σε όρθια θέση όταν είναι σε στάση και βεβαιωθείτε ότι η σφουγγαρίστρα ατμού είναι απενεργοποιημένη όταν δεν χρησιμοποιείται.

Η κεφαλή Δέλτα (Εικ. D)

Αυτή η σφουγγαρίστρα ατμού έχει ενσωματωμένη μια κεφαλή Δέλτα που σας δίνει τη δυνατότητα πρόσβασης σε κλειστές γωνίες και στενούς χώρους. **Προσοχή!** Πάντα να φοράτε κατάλληλα παπούτσια όταν τοποθετείτε την κεφαλή Δέλτα στη σφουγγαρίστρα ατμού. Μη φοράτε σαγιονάρες ή παπούτσια που αφήνουν τα δάχτυλα ακάλυπτα.

- ◆ Θέστε τη σφουγγαρίστρα ατμού σε θέση απενεργοποίησης "OFF"
- ◆ Περιμένετε να κρυώσει η σφουγγαρίστρα ατμού (περίπου πέντε λεπτά).
- ◆ Τοποθετήστε το μπροστινό μέρος του παπουτσιού σας πάνω στην προεξοχή αφαίρεσης της κεφαλής ατμού (12c) και πιέστε ελαφρά προς τα κάτω.
- ◆ Ανασηκώστε την κεφαλή Δέλτα (12b) από την κεφαλή ατμού (12a)
- ◆ Τοποθετήστε το εξάρτημα καθαρισμού της κεφαλής Δέλτα στη βάση της κεφαλής Δέλτα.

Σημείωση: Αφαιρέστε το εξάρτημα καθαρισμού πριν τοποθετήσετε πάλι την κεφαλή Δέλτα στην κεφαλή ατμού.

- ♦ Για να επανατοποθετήσετε την κεφαλή Δέλτα, τοποθετήστε τη μύτη της κεφαλής Δέλτα στην κεφαλή ατμού και στη συνέχεια πιέστε σταθερά προς τα κάτω για να βεβαιωθείτε ότι η κεφαλή Δέλτα ασφάλισε στη θέση της με χαρακτηριστικό ήχο κλικ.

Σύνδεση του εύκαμπτου σωλήνα και των αξεσουάρ στον ατμοκαθαριστή χειρός (Εικ. G - M)

Προειδοποίηση! Πριν από κάθε χρήση, επιθεωρήστε το παρέμβυσμα ανάμεσα στο σημείο σύνδεσης στον ατμοκαθαριστή χειρός (5) και στον εύκαμπτο σωλήνα ατμού (16). Αν το παρέμβυσμα δεν λειτουργεί σωστά ή παρουσιάζει ζημιές, επικοινωνήστε με το πλησιέστερό σας εξουσιοδοτημένο κέντρο επισκευών. Μη χρησιμοποιήσετε τη συσκευή.

Σύνδεση του εύκαμπτου σωλήνα

- ♦ Πατήστε το κουμπί απελευθέρωσης (16a) του εύκαμπτου σωλήνα ατμού που βρίσκεται πάνω στον εύκαμπτο σωλήνα ατμού (16).
- ♦ Συνδέστε τον εύκαμπτο σωλήνα ατμού (16) στον ατμοκαθαριστή χειρός (5) και απελευθερώστε το κουμπί απελευθέρωσης (16a) του εύκαμπτου σωλήνα ατμού αφού βεβαιωθείτε ότι κουμπώνει στη θέση του με χαρακτηριστικό ήχο κλικ.

Σημαντικό! Βεβαιωθείτε ότι ο εύκαμπος σωλήνας ατμού (16) έχει συνδεθεί με ασφάλεια στον ατμοκαθαριστή χειρός (5). Αν διαφεύγει ατμός από το σημείο ένωσης, ο εύκαμπος σωλήνας έχει τοποθετηθεί λανθασμένα. Απενεργοποιήστε τη μονάδα, αφήστε τη να κρυώσει και κατόπιν αφαιρέστε και επανατοποθετήστε τον εύκαμπτο σωλήνα.

Σύνδεση αξεσουάρ (Εικ. H)

- ♦ Ευθυγραμμίστε τις προεξοχές στο ακροφύσιο ατμού (17) με τις εσοχές στο αξεσουάρ.
- ♦ Πιέστε το αξεσουάρ πάνω στο ακροφύσιο ατμού (17) και περιστρέψτε το αριστερόστροφα, έως ότου το αξεσουάρ ασφαλίσει με ήχο κλικ.

Σημαντικό! Όλα τα αξεσουάρ, εκτός από το SteaMitt™ (24) το οποίο έχει το δικό του εύκαμπτο σωλήνα και σύνδεσμο (25), πρέπει να συνδεθούν στον εύκαμπτο σωλήνα ατμού (16) για να χρησιμοποιηθούν.

Αφαίρεση του εύκαμπτου σωλήνα και των αξεσουάρ

Προειδοποίηση! Ο εύκαμπος σωλήνας ατμού (16), το ακροφύσιο ατμού (17) και τα αξεσουάρ αποκτούν υψηλή θερμοκρασία κατά τη χρήση. Αφήστε τη συσκευή και όλα τα αξεσουάρ να κρυώσουν πριν επιχειρήσετε να αφαιρέσετε οτιδήποτε.

Αφαίρεση ενός αξεσουάρ

- ♦ Περιστρέψτε το αξεσουάρ δεξιόστροφα και μετά τραβήξτε το από τον εύκαμπτο σωλήνα (16).

Αφαίρεση του εύκαμπτου σωλήνα

- ♦ Πατήστε το κουμπί απελευθέρωσης (16a) του εύκαμπτου σωλήνα ατμού που είναι πάνω στον εύκαμπτο σωλήνα ατμού (16) και τραβήξτε τον για να τον αφαιρέσετε από τη μονάδα ατμοκαθαριστή χειρός.

SteaMitt™

Το BLACK+DECKER™ SteaMitt™ έχει σχεδιαστεί για την απολύμανση και τον καθαρισμό πλακιδίων, επιφανειών εργασίας, επιφανειών κουζίνας και επιφανειών μπάνιου. Η συσκευή αυτή προορίζεται μόνο για οικιακή χρήση σε εσωτερικούς χώρους.

Σύνδεση του εύκαμπτου σωλήνα SteaMitt™ στη μονάδα ατμού χειρός

Προειδοποίηση! Ελέγχετε το παρέμβυσμα στο ακροφύσιο ατμού και στον εύκαμπτο σωλήνα πριν από κάθε χρήση. Εάν το παρέμβυσμα δεν υπάρχει ή παρουσιάζει ζημιές, επικοινωνήστε με το πλησιέστερο σας εξουσιοδοτημένο κέντρο επισκευών.

Μη χρησιμοποιήσετε τη συσκευή. Ελέγξτε το παρέμβυσμα στο SteaMitt™ και στον εύκαμπτο σωλήνα. Αν το παρέμβυσμα λείπει, έχει υποστεί ζημιά ή διαφεύγει ατμός, επικοινωνήστε με το πλησιέστερο σας εξουσιοδοτημένο κέντρο επισκευών. **Μη χρησιμοποιήσετε τη συσκευή.** Βεβαιωθείτε ότι δεν υπάρχει απόφραξη ή εμπόδιο στον εύκαμπτο σωλήνα του SteaMitt™ ή στον εύκαμπτο σωλήνα προσαρτημάτων. Αν εντοπίσετε οτιδήποτε, επικοινωνήστε με το πλησιέστερο σας εξουσιοδοτημένο κέντρο επισκευών. **Μη χρησιμοποιήσετε τη συσκευή.**

Τοποθέτηση ενός εξαρτήματος καθαρισμού στο SteaMitt™ (Εικ. J)

Προειδοποίηση! Βεβαιωθείτε ότι δεν υπάρχει απόφραξη ή εμπόδιο στα ανοίγματα απελευθέρωσης ατμού. Αν εντοπίσετε οτιδήποτε επικοινωνήστε με το πλησιέστερο σας εξουσιοδοτημένο κέντρο επισκευών. **Μη χρησιμοποιήσετε τη συσκευή.**

- ♦ Τοποθετήστε το εξάρτημα καθαρισμού (26) στο SteaMitt™ (24) συνδέοντας τις ταινίες velcro με τις θηλίες (26a) στην πάνω πλευρά του εξαρτήματος καθαρισμού, στις επιφάνειες velcro με τα άγκιστρα (24a) στην κάτω πλευρά του SteaMitt™ (24). Πιέστε προς τα κάτω σταθερά.

Προειδοποίηση! Το SteaMitt™ δεν πρέπει να χρησιμοποιείται χωρίς να έχει τοποθετηθεί ένα εξάρτημα καθαρισμού.

Σημείωση: Το SteaMitt™ μπορεί να δεχτεί 4 τύπους εξαρτημάτων καθαρισμού με διαφορετικά πάχη.

Εξάρτημα καθαρισμού με τρίψιμο (για χρήση σε δύσκολες κηλίδες και μη ευαίσθητες επιφάνειες), εξάρτημα καθαρισμού μπάνιου (για χρήση σε βρύσες και άλλες χυτές επιφάνειες στο μπάνιο), στάνταρ εξάρτημα καθαρισμού (για χρήση σε όλες τις μεγάλες επιφάνειες) και εξάρτημα καθαρισμού για υαλίσιμα (για χρήση σε ευαίσθητες επιφάνειες).

Προειδοποίηση! Πάντα χρησιμοποιείτε το SteaMitt™ όπως δείχνει η εικόνα M, με το χέρι σας μέσα στο προστατευτικό γάντι.

Προειδοποίηση! Ποτέ μην επιχειρήσετε χρήση του SteaMitt™

Προειδοποίηση! Πιάνοντάς το εξωτερικά όπως δείχνει η εικόνα N. Κάτι τέτοιο θα επιφέρει τραυματισμό από ζεμάτισμα.

Προειδοποίηση! Αποφύγετε τη χρήση του SteaMitt™ σε απότομες γωνίες όπως δείχνει η εικόνα O.

Προειδοποίηση! Σε περίπτωση που προκύψει κάποιο πρόβλημα κατά τη χρήση, χρησιμοποιήστε την προεξοχή ταχείας απασφάλισης για να αφαιρέσετε γρήγορα το SteaMitt™ από το χέρι σας όπως δείχνει η εικόνα P.

Προειδοποίηση! Μη χρησιμοποιείτε το SteaMitt™ πάνω σε κρύο υαλί, όπως σε παράθυρα, γιατί μπορεί να προκληθεί ζημιά από την απότομη αλλαγή θερμοκρασίας.

Προειδοποίηση! Ποτέ μην κατευθύνετε το γάντι προς τον εαυτό σας ή οποιοδήποτε άλλο άτομο.

Σημείωση: Ο περιστροφικός ρυθμιστής ατμού είναι αποσυνδεδεμένος όταν έχει τοποθετηθεί το SteaMitt™ και επομένως η ροή του ατμού είναι περιορισμένη.

Χρήση

Σημαντικό! Αυτή η συσκευή σκοτώνει το 99,9% των βακτηριδίων και των μικροβίων, όταν χρησιμοποιείται σύμφωνα με τις οδηγίες σε αυτό το εγχειρίδιο και με τοποθετημένο το εξάρτημα μικροϊών και με συνεχή χρόνο λειτουργίας 90 δευτερόλεπτων.

Ενεργοποίηση και απενεργοποίηση

- ◆ Για να ενεργοποιήσετε τη συσκευή, πατήστε τον διακόπτη ON/OFF (1). Για να ζεσταθεί η σφουγγαρίστρα ατμού, χρειάζονται περίπου 20 δευτερόλεπτα.
- ◆ Για να απενεργοποιήσετε τη συσκευή, πατήστε τον διακόπτη ON/OFF (1).

Σημείωση: πάντα να έχετε το χέρι σας μέσα στο SteaMitt™ πριν πατήσετε το κουμπί ατμού.

Προσοχή! Μην αφήνετε ποτέ τη σφουγγαρίστρα ατμού στο ίδιο σημείο σε οποιαδήποτε επιφάνεια για οποιοδήποτε χρονικό διάστημα.

Πάντοτε τοποθετείτε τη σφουγγαρίστρα ατμού με τη λαβή (8) υποστηριζόμενη σε όρθια θέση όταν είναι σε στάση και βεβαιωθείτε ότι η σφουγγαρίστρα ατμού είναι απενεργοποιημένη όταν δεν χρησιμοποιείται.




Προσοχή! Πάντα αδειάζετε τη σφουγγαρίστρα ατμού μετά τη χρήση.

Σημείωση! Κατά την πρώτη πλήρωση ή αν τελειώσει το νερό κατά τη λειτουργία, μπορεί να χρειαστούν μέχρι και 45 δευτερόλεπτα για την παραγωγή ατμού.

Τεχνολογία Autoselect™ (Εικ. Ρ)

Αυτή η σφουγγαρίστρα ατμού είναι εξοπλισμένη με έναν περιστροφικό ρυθμιστή Autoselect™ (2) που δείχνει διάφορες εφαρμογές καθαρισμού. Χρησιμοποιούνται για την επιλογή του σωστού τρόπου λειτουργίας για τη δική σας εργασία καθαρισμού.

Κατά τη χρήση του Autoselect™, επιλέξτε μια από τις παρακάτω εφαρμογές περιστρέφοντας τον περιστροφικό ρυθμιστή Autoselect™ (2) μέχρι να επιλεγεί η απαιτούμενη ρύθμιση.

Ρύθμιση	Σφουγγαρίστρα	Συσκευή χειρός
	Ξύλο/Πολυστρωματικό υλικό	Χαμηλή ροή ατμού ●
	Πλακάκια/Βινύλιο	Μέτρια ροή ατμού ● ●
	Πέτρα/Μάρμαρο	Υψηλή ροή ατμού ● ● ●

Η σφουγγαρίστρα ατμού θα επιλέξει τη σωστή ποσότητα ατμού που απαιτείται για τη συγκεκριμένη εργασία καθαρισμού σας.

Σημείωση: Ελέγχετε πάντα ότι χρησιμοποιείτε τη σωστή ρύθμιση πριν χρησιμοποιήσετε τη σφουγγαρίστρα ατμού σας.

Συμβουλές για βέλτιστη χρήση

Γενικά

Προσοχή: Ποτέ μη χρησιμοποιείτε τη σφουγγαρίστρα ατμού χωρίς να έχετε πρώτα τοποθετήσει ένα εξάρτημα καθαρισμού.

- ◆ Πάντα καθαρίζετε με ηλεκτρική σκούπα ή σκουπίζετε το δάπεδο πριν τη χρήση της ηλεκτρικής σκούπας ατμού.
- ◆ Ο ευκολότερος τρόπος χρήσης της συσκευής είναι να γείρετε τη λαβή σε γωνία 45° και να καθαρίζετε αργά, καλύπτοντας μια μικρή περιοχή κάθε φορά.
- ◆ Με τη σφουγγαρίστρα ατμού χρησιμοποιείτε μόνο νερό, χωρίς πρόσθετα ή χημικά. Για να αφαιρέσετε επίμονους λεκέδες από δάπεδα βινυλίου ή λινοτάπητα, μπορείτε να τους προ-επεξεργασείτε με ένα ήπιο απορρυπαντικό και λίγο νερό πριν από τη χρήση της σφουγγαρίστρας ατμού.

Καθαρισμός με ατμό με τη σφουγγαρίστρα ατμού

- ◆ Τοποθετήστε τον ατμοκαθαριστή χειρός (5) στο σώμα της σφουγγαρίστρας ατμού (11)
- ◆ Τοποθετήστε ένα εξάρτημα καθαρισμού (13) στο δάπεδο με την πλευρά με τις θηλιές νελορο στραμμένη προς τα πάνω.
- ◆ Πιέστε ελαφρά τη σφουγγαρίστρα ατμού πάνω στο εξάρτημα καθαρισμού (13).
- ◆ Συνδέστε τη σφουγγαρίστρα ατμού στο ρεύμα δικτύου.
- ◆ Πατήστε το κουμπί ON/OFF (1). Για να ζεσταθεί η σφουγγαρίστρα ατμού, χρειάζονται περίπου 15 δευτερόλεπτα.
- ◆ Περιστρέψτε τον περιστροφικό ρυθμιστή Autoselect™ (2) έως ότου φθάσετε στην απαιτούμενη ρύθμιση. Μετά από λίγα δευτερόλεπτα θα αρχίσει να βγαίνει ατμός από την κεφαλή ατμού.

Σημείωση! Κατά την πρώτη πλήρωση ή αν τελειώσει το νερό κατά τη λειτουργία, μπορεί να χρειαστούν μέχρι και 45 δευτερόλεπτα για την παραγωγή ατμού.

- ◆ Χρειάζονται μερικά δευτερόλεπτα για να εισέλθει ο ατμός στο εξάρτημα καθαρισμού. Η σφουγγαρίστρα ατμού θα γλιστράει τώρα εύκολα πάνω στην επιφάνεια που πρόκειται να απολυμανθεί/καθαριστεί.
- ◆ Μετακινείτε αργά τη σφουγγαρίστρα ατμού εμπρός-πίσω στην επιφάνεια για να καθαριστεί καλά με ατμό κάθε τμήμα.
- ◆ Όταν ολοκληρώσετε τη χρήση της σφουγγαρίστρας ατμού, επαναφέρετε τη λαβή (8) στην όρθια θέση, διασφαλίζοντας ότι στηρίζεται και απενεργοποιήστε την. Περιμένετε να κρυώσει η σφουγγαρίστρα ατμού (περίπου πέντε λεπτά).

Προσοχή! Είναι σημαντικό να παρακολουθείτε τη στάθμη του νερού στο δοχείο νερού. Για να ξαναγεμίσετε το δοχείο νερού και να συνεχίσετε την απολύμανση/καθαρισμό, τοποθετήστε τη σφουγγαρίστρα σε όρθια θέση και βεβαιωθείτε ότι η λαβή υποστηρίζεται και απενεργοποιήστε τη σφουγγαρίστρα ατμού. Αποσυνδέστε τη συσκευή από την πρίζα τοίχου και γεμίστε πάλι το δοχείο νερού.

Προσοχή! Μην αφήνετε ποτέ τη σφουγγαρίστρα ατμού στο ίδιο σημείο σε οποιαδήποτε επιφάνεια για οποιοδήποτε χρονικό διάστημα.

Πάντοτε τοποθετείτε τη σφουγγαρίστρα ατμού με τη λαβή (8) υποστηρίζομενη σε όρθια θέση όταν είναι σε στάση και βεβαιωθείτε ότι η σφουγγαρίστρα ατμού είναι απενεργοποιημένη όταν δεν χρησιμοποιείται.

Φρεσκάρισμα χαλιών

- ◆ Τοποθετήστε ένα εξάρτημα καθαρισμού (13) στο δάπεδο με την πλευρά με τις θηλιές νελορο στραμμένη προς τα πάνω.
- ◆ Πιέστε ελαφριά τη σφουγγαρίστρα ατμού πάνω στο εξάρτημα καθαρισμού.
- ◆ Τοποθετήστε το εξάρτημα χαλιών (12d) στο δάπεδο.

- ◆ Πιέστε ελαφρά τη σφουγγαρίστρα ατμού πάνω στο εξάρτημα χαλιών μέχρι να ασφαλίσει με χαρακτηριστικό ήχο κλικ.
- ◆ Συνδέστε τη σφουγγαρίστρα ατμού στο ρεύμα δικτύου.
- ◆ Πατήστε το κουμπί ON/OFF (1). Για να ζεσταθεί η σφουγγαρίστρα ατμού, χρειάζονται περίπου 15 δευτερόλεπτα.
- ◆ Περιστρέψτε τον περιστροφικό ρυθμιστή Autoselect™ (2) στη ρύθμιση Ξύλο/Πολυστρωματικό υλικό.
- ◆ Μετακινείτε αργά μπρος πίσω την ηλεκτρική σκούπα ατμού στο χαλί, για να φρεσκαριστεί με ατμό καλά κάθε τμήμα.
- ◆ Όταν ολοκληρώσετε τη χρήση της σφουγγαρίστρας ατμού, επαναφέρετε τη λαβή (8) σε όρθια θέση και απενεργοποιήστε τη μονάδα. Περιμένετε να κρυώσει η σφουγγαρίστρα ατμού (περίπου πέντε λεπτά).

Μετά τη χρήση

- ◆ Περιστρέψτε τον περιστροφικό ρυθμιστή Autoselect™ (2) στη θέση απενεργοποίησης.
- ◆ Περιμένετε να κρυώσει η σφουγγαρίστρα ατμού.
- ◆ Αποσυνδέστε την ηλεκτρική σκούπα ατμού από την πρίζα τοίχου.
- ◆ Αδειάστε το δοχείο νερού.
- ◆ Αφαιρέστε το εξάρτημα καθαρισμού (13) και πλύνετε το ώστε να είναι έτοιμο για την επόμενη χρήση (προσέξτε να ακολουθήσετε τις οδηγίες φροντίδας που είναι τυπωμένες στο εξάρτημα καθαρισμού).
- ◆ Τυλίξτε το καλώδιο ρεύματος γύρω από τα άγκιστρα τακτοποίησης καλωδίου (7 και 9).
- ◆ Υπάρχει ένα στήριγμα ανάρτησης (15) ενσωματωμένο στη λαβή (6) το οποίο επιτρέπει να κρεμάσετε τη σφουγγαρίστρα ατμού σας από κατάλληλο γάντζο στον τοίχο. Πάντα να βεβαιώνετε ότι το άγκιστρο στον τοίχο είναι σε θέση να υποστηρίξει με ασφάλεια το βάρος της σφουγγαρίστρας ατμού.
- ◆ Η λαβή επίσης περιλαμβάνει ένα πλαστικό στοπ που επιτρέπει να στηρίζεται η σφουγγαρίστρα ατμού με ασφάλεια σε μια κατακόρυφη επιφάνεια.

Καθαρισμός με ατμοκαθαριστή χειρός

Προειδοποίηση! Η μονάδα δεν θα είναι σε θέση να παράγει ατμό εκτός αν συνδέεται στο κυρίως σώμα (11) ή έχει τοποθετηθεί ο εύκαμπτος σωλήνας ατμού (16).

Προειδοποίηση! Χρησιμοποιείτε τη μονάδα μόνο σε οριζόντια θέση.

- ◆ Τοποθετήστε το κατάλληλο αξεσουάρ.
- ◆ Συνδέστε τον ατμοκαθαριστή χειρός στο ρεύμα δικτύου.
- ◆ Πατήστε το κουμπί ON/OFF (1). Για να ζεσταθεί η σφουγγαρίστρα ατμού, χρειάζονται περίπου 15 δευτερόλεπτα.
- ◆ Περιστρέψτε τον περιστροφικό ρυθμιστή Autoselect™ (2) έως ότου φθάσετε στην απαιτούμενη ρύθμιση.

Μετά από λίγα δευτερόλεπτα θα αρχίσει να βγαίνει ατμός από την κεφαλή ατμού.

Σημείωση! Κατά την πρώτη πλήρωση ή αν τελειώσει το νερό κατά τη λειτουργία, μπορεί να χρειαστούν μέχρι και 45 δευτερόλεπτα για την παραγωγή ατμού.

- Όταν τελειώσετε τη χρήση του ατμοκαθαριστή χειρός, περιστρέψτε τον περιστροφικό ρυθμιστή Autoselect™ (2) στη θέση απενεργοποίησης. Απενεργοποιήστε τη μονάδα πατώντας το κουμπί ON/OFF (1) και αποσυνδέστε την από την παροχή ρεύματος δικτύου. Περιμένετε να κρυώσει η μονάδα πριν τη φυλάξετε (περίπου πέντε λεπτά).

Αξεσουάρ

Η απόδοση της συσκευής σας εξαρτάται από τα αξεσουάρ που χρησιμοποιούνται. Τα αξεσουάρ της BLACK+DECKER έχουν κατασκευαστεί μηχανικά με βάση πρότυπα υψηλής ποιότητας και είναι σχεδιασμένα να ενισχύουν την απόδοση της συσκευής σας. Χρησιμοποιώντας αυτά τα αξεσουάρ, θα εξασφαλίσετε την καλύτερη δυνατή απόδοση του εξοπλισμού σας.

Τεχνικά δεδομένα

	Τάση	Ισχύς	Χωρητικότητα δοχείου	Χρόνος αρχικής θέρμανσης	Μήκος καλωδίου	Βάρος
	V_{AC}	W	ml	δευτ.	m	kg
FSHM1321	230	1600	500	≤20	6	2.7
BHSM168D	230	1600	500	≤20	6	2.8
BHSM168U	230	1600	500	≤20	6	2.8
BHSM166DSM	230	1600	500	≤20	6	2.8
BHSM1615DSM	230	1600	500	≤20	7	2.9
BHSM1615DAM	230	1600	500	≤20	7	2.9
BHSM1615DSG	230	1600	500	≤20	8	2.9
BHSM168DSM	230	1600	500	≤20	8	2.9
BHSM169DSM	230	1600	500	≤20	8	2.9
BHSM1610DSM	230	1600	500	≤20	8	2.9

Αντιμετώπιση προβλημάτων

Αν η συσκευή σας φαίνεται να μη λειτουργεί σωστά, ακολουθήστε τις παρακάτω οδηγίες. Αν αυτό δεν σας βοηθήσει να επιλύσετε το πρόβλημα, επικοινωνήστε με το πλησιέστερο κέντρο επισκευών της BLACK+DECKER.

ΠΡΟΒΛΗΜΑ	Βήμα	Πιθανή λύση
Η σφουγγαρίστρα ατμού δεν ενεργοποιείται	1.	Ελέγξτε ότι η μονάδα είναι συνδεδεμένη στην πρίζα τοίχου.
	2.	Ελέγξτε εάν η μονάδα είναι ενεργοποιημένη χρησιμοποιώντας τον διακόπτη ON/OFF (1)
	3.	Ελέγξτε την ασφάλεια στο φως.

ΠΡΟΒΛΗΜΑ	Βήμα	Πιθανή λύση
Η σφουγγαρίστρα ατμού δεν παράγει ατμό	4.	Η σφουγγαρίστρα ατμού θα παράγει ατμό μόνο αν ο ατμοκαθαριστής χειρός (5) έχει συνδεθεί σωστά στο κυρίως σώμα (11) ή έχει τοποθετηθεί ο εύκαμπτος σωλήνας ατμού ή το χειριστήριο Autoselect™ έχει γυριστεί στη θέση ενεργοποίησης
	5.	Ελέγξτε ότι το δοχείο νερού είναι γεμάτο. Σημείωση: Κατά την πρώτη πλήρωση ή αν τελειώσει το νερό κατά τη λειτουργία, μπορεί να χρειαστούν μέχρι και 45 δευτερόλεπτα για την παραγωγή ατμού.
	6.	Ελέγξτε το βήμα 1, μετά το βήμα 2, μετά το βήμα 3
Η σφουγγαρίστρα ατμού σταματάει να παράγει ατμό κατά τη χρήση	7.	Ελέγξτε το βήμα 4, μετά το βήμα 5, μετά το βήμα 3
Η σφουγγαρίστρα ατμού παράγει πάρα πολύ ατμό κατά τη χρήση	8.	Περιστρέψτε τον περιστροφικό ρυθμιστή Autoselect™ (2) αριστερόστροφα για να μειώσετε την ποσότητα ατμού που παράγεται
Η σφουγγαρίστρα ατμού παράγει πολύ λίγο ατμό κατά τη χρήση	9.	Περιστρέψτε τον περιστροφικό ρυθμιστή Autoselect™ (2) δεξιόστροφα για να αυξήσετε την ποσότητα ατμού που παράγεται
Δεν παράγεται ατμός από τον ατμοκαθαριστή χειρός	10.	Ελέγξτε ότι τον περιστροφικό ρυθμιστή Autoselect™ (2) είναι στη θέση ενεργοποίησης
	11.	Ελέγξτε το βήμα 5, μετά το βήμα 1, μετά το βήμα 2, μετά το 3
Ο ατμοκαθαριστής χειρός παράγει πολύ λίγο ατμό κατά τη χρήση	12.	Περιστρέψτε τον περιστροφικό ρυθμιστή Autoselect™ (2) δεξιόστροφα για να αυξήσετε την ποσότητα ατμού που παράγεται
	13.	Δείτε το βήμα 5
Ο ατμοκαθαριστής χειρός παράγει πάρα πολύ ατμό κατά τη χρήση	14.	Περιστρέψτε τον περιστροφικό ρυθμιστή Autoselect™ (2) αριστερόστροφα για να μειώσετε την ποσότητα ατμού που παράγεται
Τα αξεσουάρ πέφτουν συνεχώς από τη μονάδα	15.	Ανατρέξτε στο κεφάλαιο συναρμολόγησης για οδηγίες σωστής τοποθέτησης όλων των εξαρτημάτων και αξεσουάρ
Διαφεύγει ατμός από μη αναμενόμενες περιοχές της μονάδας	16.	Ανατρέξτε στο κεφάλαιο συναρμολόγησης για οδηγίες σωστής τοποθέτησης όλων των εξαρτημάτων και αξεσουάρ
Που μπορώ να βρω περισσότερες πληροφορίες/ αξεσουάρ	17.	www.blackanddecker.co.uk/steamop www.blackanddecker.ie/steamop

Συντήρηση και καθαρισμός

Αυτή η συσκευή καλωδίου της BLACK+ DECKER έχει σχεδιαστεί έτσι ώστε να λειτουργεί για μεγάλο χρονικό διάστημα, με την ελάχιστη δυνατή συντήρηση. Η συνεχής ικανοποιητική λειτουργία εξαρτάται από τη σωστή φροντίδα και τον τακτικό καθαρισμό της συσκευής.

Προειδοποίηση! Πριν πραγματοποιήσετε οποιαδήποτε συντήρηση ή καθαρισμό στις συσκευές με καλώδια απενεργοποιήστε τις και βγάλτε τις από την πρίζα.

- Σκουπίστε τη συσκευή σας χρησιμοποιώντας ένα μαλακό, ελαφρά υγρό πανί.

- ♦ Για επίμονους λεκέδες, μπορείτε να χρησιμοποιήσετε ένα ήπιο διάλυμα σαπουνιού με νερό για να υγράνετε ελαφρά το πανί σας.

Φροντίδα των εξαρτημάτων καθαρισμού

Οδηγίες φροντίδας για το πλύσιμο - Τα εξαρτήματα καθαρισμού μπορούν να πλυθούν στους 60 °C. Μη χρησιμοποιείτε μαλακτικό. Αφήνετέ τα να στεγνώσουν τελείως πριν τα ξαναχρησιμοποιήσετε.

Προσοχή! Ακολουθήστε τις οδηγίες καθαρισμού που αναγράφονται στην ετικέτα του εξαρτήματος καθαρισμού.

Αντικατάσταση του φινις ρευματοληψίας (Ην. Βασίλειο & Ιρλανδία μόνο)

Αν χρειάζεται να τοποθετηθεί νέο φινις ρευματοληψίας:

- ♦ Απορρίψτε με ασφαλή τρόπο το παλιό φινις.
- ♦ Συνδέστε τον καφέ αγωγό στον ηλεκτροφόρο ακροδέκτη (φάση) του νέου φινις.
- ♦ Συνδέστε τον μπλε αγωγό στον ουδέτερο ακροδέκτη.
- ♦ Συνδέστε τον πράσινο/ κίτρινο αγωγό στον ακροδέκτη γείωσης.

Προειδοποίηση! Ακολουθήστε τις οδηγίες συναρμολόγησης που συνοδεύουν τα καλής ποιότητας φινις. Συνιστώμενη ασφάλεια: 13A.

Προστασία του περιβάλλοντος



Χωριστή συλλογή. Τα προϊόντα και οι μπαταρίες που επισημαίνονται με αυτό το σύμβολο δεν πρέπει να απορρίπτονται μαζί με τα κανονικά οικιακά απορρίμματα

Τα προϊόντα και οι μπαταρίες περιέχουν υλικά που μπορούν να ανακτηθούν ή να ανακυκλωθούν ώστε να μειωθούν οι ανάγκες για πρώτες ύλες. Παρακαλούμε να ανακυκλώνετε τα ηλεκτρικά προϊόντα και τις μπαταρίες σύμφωνα με τους τοπικούς κανονισμούς.

Περισσότερες πληροφορίες διατίθενται στον ιστότοπο www.2helpU.com

Εγγύηση

Η Black & Decker είναι σίγουρη για την ποιότητα των προϊόντων της και προσφέρει στους καταναλωτές εγγύηση 24 μηνών από την ημερομηνία αγοράς. Αυτή η εγγύηση συμπληρώνει και με κανένα τρόπο δεν παραβιάζει τα νόμιμα δικαιώματά σας. Η εγγύηση ισχύει εντός της επικράτειας των χωρών μελών της Ευρωπαϊκής Ένωσης και της Ευρωπαϊκής Ζώνης Ελεύθερων Συναλλαγών.

Για να υποβάλετε αξίωση βάσει της εγγύησης, η αξίωση θα πρέπει να είναι σύμφωνη με τους Όρους και Προϋποθέσεις της Black&Decker και θα χρειαστεί να υποβάλετε απόδειξη αγοράς στον πωλητή ή σε εξουσιοδοτημένο αντιπρόσωπο σέρβις.

Μπορείτε να αποκτήσετε τους Όρους και Προϋποθέσεις της εγγύησης 2 ετών της Black&Decker και να μάθετε την τοποθεσία του πλησιέστερου εξουσιοδοτημένου αντιπροσώπου επισκευών στο Internet στο www.2helpU.com, ή επικοινωνώντας με το τοπικό σας γραφείο Black & Decker στη διεύθυνση που υποδεικνύεται στο παρόν εγχειρίδιο.

Παρακαλούμε επισκεφθείτε την ιστοσελίδα μας www.blackanddecker.gr για να καταχωρίσετε το νέο σας προϊόν Black & Decker και για να ενημερώνεστε για τα νέα προϊόντα και τις ειδικές προσφορές.

(Original talimatların Çeviri)

TÜRKÇE

Kullanım amacı

BLACK+DECKER™ FSMH1321, BHSM166DSM, BHSM168D, BHSM168DSM, BHSM168U, BHSM169DSM, BHSM1610DSM, BHSM1615DSM, BHSM1615DSG, BHSM1615DAM buharlı süpürge, sızdırmaz parke, sızdırmaz laminat, linolyum, vinil, seramik karo, taş ve mermer zeminleri sterilize etmek ve temizlemek için tasarlanmıştır. Bu cihaz, yalnızca ev içinde kullanım amacıyla tasarlanmıştır.

Güvenlik Talimatları



Uyarı! Bütün güvenlik uyarılarını ve talimatlarını mutlaka okuyun. Aşağıda listelenen uyarılara ve talimatlara uyulmaması, elektrik çarpması, yangın ve/veya ciddi yaralanmalarla sonuçlanabilir.



Uyarı! Şebekeyle çalışan cihazları kullanırken, yangın tehlikesini, elektrik çarpması riskini, kişisel yaralanmaları ve maddi zararı azaltmak için aşağıdaki maddelerin de yer aldığı temel emniyet önlemlerine daima uyulmalıdır.

- ♦ Kullanım amacı, bu kılavuzda tanımlanmıştır.
- ♦ Cihazın bu kılavuzda önerilenlerden başka aksesuar veya ek parçalarla kullanılması ya da başka amaçlarla çalıştırılması ciddi yaralanmalara yol açabilir.

- ◆ İleride bakmak üzere bu kılavuzu saklayın.

Cihazın kullanılması

- ◆ Buharı doğrudan insanlara, hayvanlara, elektrikli aletlere veya prizlere yöneltmeyin.
- ◆ Yağmura maruz bırakmayın.
- ◆ Cihazı suya sokmayın.
- ◆ Cihazı başıboş durumda bırakmayın.
- ◆ Kullanılmadığı zaman cihazı elektrik prizine takılı olarak bırakmayın.
- ◆ Cihazı prizden ayırmak için asla elektrik kablosunu çekmeyin. Cihaz kablosunu ısıdan, yağdan ve keskin kenarlardan uzak tutun.
- ◆ Buharlı temizleyiciyi ıslak ellerle tutmayın.
- ◆ Cihazın kordonunu çekmeyin veya cihazı kordonundan taşımayın, kordonu cihazın sapı olarak kullanmayın, kordonun üzerinden kapı kapatmayın veya kordonu keskin kenarların etrafından veya köşelerden çekmeyin. Kordonu ısınmış yüzeylerden uzak tutun.
- ◆ Cihazı yağ bazlı tiner, bazı güve kovucu ilaçlardan çıkan buharla, kolay tutuşabilir toz veya diğer patlayıcı veya toksik buharla kaplı kapalı mekanlarda kullanmayın.
- ◆ Zemin tipini üreticiden öğrenebilirsiniz.
- ◆ Cihazı deri, pasta cilalı mobilya veya döşemeler, sentetik kumaşlar, kadife veya diğer hassas, buhara duyarlı materyaller üzerinde kullanmayın.



Uyarı! Cihazı, arası açılmış ahşap veya laminat döşemeler üzerinde kullanmayın. Pasta cila yapılmış yüzeylerde ya da bazı cilasız zeminlerdeki parlaklık ısı ve buharın etkisiyle kaybolabilir. Temizleme işlemine devam etmeden önce yüzey üzerinde küçük bir alanda cihazın test edilmesi tavsiye edilir. Ayrıca zemin döşemesinin üreticisinden kullanım ve bakım bilgileri edinmenizi öneririz.

- ◆ Buharlı temizleyicinin içine kireç çözücü, aromalı madde, alkol ya da deterjan içeren ürünleri hiçbir zaman koymayın. Bunlar cihazınıza zarar verebilir.
- ◆ Buhar özelliği kullanılırken sigorta atarsa, ürünü kullanmayı hemen bırakın ve müşteri destek merkezine başvurun. (Elektrik çarpması riskine karşı dikkatli olun.)
- ◆ Kullanım alanını sterilize etmek için cihaz dışarıya çok sıcak buhar verir. Dolayısıyla buhar başlığı, temizleme pedleri ve halı aparatı kullanım esnasında çok ısınır.

Dikkat! Buharlı süpürgeyi kullanırken ve buharlı süpürgezin aksesuarlarını değiştirirken her zaman uygun bir ayakkabı giyin. Terlik ya da burnu açık ayakkabı giymeyin.

- ◆ Kullanım sırasında kapak ısınabilir.
- ◆ Kullanım sırasında cihazdan dışarı buhar sızıntısı olabilir. Cihazı kullanırken dikkatli olunmalıdır. Kullanım sırasında, ısınabilecek parçalara DOKUNMAYIN.

- ◆ Su haznesinin kapağını çıkarmadan önce cihazı kapatın ve sapını dik konuma getirin.
- ◆ Elde taşınan buharlı temizleyicinin gövdesinden buhar çıktığı görülürse, cihazı kapatın ve fişini prizden geçin, soğumaya bırakın. Size en yakın yetkili servisle iletişime geçin. Cihazı kullanmaya devam etmeyin.

Kullandıktan sonra

- ◆ Cihazın fişini çekin ve temizlemeden önce soğumasını bekleyin.
- ◆ Cihaz, kullanılmadığı zaman kuru bir yerde saklanmalıdır.
- ◆ Cihazlar çocukların ulaşamayacağı yerlere kaldırılmalıdır.

İnceleme ve onarımlar

- ◆ Cihazın fişini çekin ve herhangi bir bakım veya onarım işleminden önce soğumasını bekleyin.
- ◆ Kullanmadan önce cihazı kontrol ederek arızalı ya da eksik parça olup olmadığını bakın. Parçalarda kırılma, düğmelerde hasar ve cihazın çalışmasını etkileyebilecek başka durumlar olup olmadığını kontrol edin.
- ◆ Cihaz kablosunda hasar olup olmadığını düzenli kontrol edin.
- ◆ Arızalı ya da eksik parça varsa, cihazı kullanmayın.
- ◆ Hasarlı ya da kusurlu parçaların onarım ve değiştirme işlemlerini yetkili serviste yaptırın.
- ◆ Hiçbir parçayı yerinden çıkarmayın ve bu kılavuzda belirtilenlerden başka parçalarla değiştirmeyin.

Başkalarının güvenliği

- ◆ Bu cihaz fiziksel, duyuşsal veya zihinsel kapasitesi düşük ya da deneyimi ve bilgisi olmayan kişilerce yalnızca dikkatli gözetim altında ve cihazın güvenli şekilde kullanımı ve cihazla ilgili riskler hakkında bilgi verildikten sonra kullanılabilir.
Çocuklar cihazla oynamamalıdır.
- ◆ Cihazla oynamadıklarından emin olmak için çocuklar gözetim altında tutulmalıdır.
- ◆ Cihazı temizlemeden veya bakımını yapmadan önce fişi prizden çıkartılmalıdır.
- ◆ Sıvı veya buhar, fırın içi gibi elektrikli bileşenler içeren ekipmanlara doğru yönlendirilmemelidir.
- ◆ Cihaz, elektrik prizine takılıyken başıboş bırakılmamalıdır.
- ◆ Cihaz düşürülmüşse, gözle görülür hasar belirtileri varsa veya sızıntı yapıyorsa kullanılmamalıdır.
- ◆ Prize takılıyken veya soğurken cihazı çocukların erişemeyeceği bir yerde saklayın.
- ◆ Ucu asla kendinize veya başka bir kişiye doğrultmayın veya yöneltmeyin.
- ◆ Buhar çıkışı nedeniyle cihazı kullanırken dikkatli olunmalıdır
- ◆ Doldurma ve temizleme sırasında cihazın fişini çekin.
- ◆ Kumaşa buhar püskürtücü, elektrik prizine takılıyken başıboş bırakılmamalıdır.

- ◆ Kumaşa buhar püskürtücü düşürülmüşse, gözle görülür hasar belirtileri varsa veya sızıntı yapıyorsa kullanılmamalıdır.
- ◆ prize takılıken veya soğurken buhar püskürtücüyü veya kablosunu 8 yaşından küçük çocukların erişemeyeceği bir yerde saklayın.

Kalıcı riskler

Alet kullanılırken, ekteki güvenlik uyarılarında bulunmayan ek kalıcı riskler oluşabilir. Bu riskler yanlış kullanım, uzun süreli kullanım vb. gibi nedenlerden kaynaklanabilir.

İlgili güvenlik talimatlarına uyulması ve güvenlik aletlerinin kullanılması halinde bile bazı kalıcı riskler engellenemeyebilir. Bunlar şunlardır:

- ◆ Hareket eden parçalara dokunma sonucu oluşan yaralanmalar.
- ◆ Isınan parçalara dokunulmasından kaynaklanan yaralanmalar.
- ◆ Parça veya aksesuar değiştirirken oluşan yaralanmalar.
- ◆ Cihazın uzun süre kullanılmasından kaynaklanan yaralanmalar. Herhangi bir cihazı uzun süre kullanıyorsanız, düzenli olarak kullanıma ara vermeyi unutmayın.

Elektrik güvenliği



Uyarı! Uyarı! Bu ürünün top-raklanması gerekir. Her zaman güç kaynağının, aletin üretim etiketinde voltajla aynı olup olmadığını kontrol edin.

Elektrikli aletin fişleri prize uymalıdır.

Fiş üzerinde kesinlikle hiçbir değişiklik yapmayın.

Değiştirilmemiş fişler ve uygun prizler elektrik çarpması riskini azaltacaktır

- ◆ Elektrik kablosu hasarlı ise, bir tehlike oluşmasını önlemek için üretici ya da yetkili BLACK+DECKER Servis Merkezi tarafından değiştirilmelidir.

Uzatma kabloları ve Sınıf 1 ürün

- ◆ Cihazınız topraklandığı ve Sınıf 1 yapısına sahip olduğu için 3 damarlı kablo kullanılmalıdır.
- ◆ Her zaman bu aletin giriş gücüne (teknik verilere bakın) uygun onaylı bir uzatma kablosu kullanın. Uzunluğu 30 metreye kadar 1,50mm² uzatma kablosu, üründe performans kaybı olmadan kullanılabilir. Kullanmadan önce, uzatma kablosunda hasar, aşınma ve eskime belirtilerinin olup olmadığını inceleyin. Hasar görmüş veya arızalı uzatma kablosunu değiştirin. Bir kablo makarası kullanırken, her zaman kabloyu tamamen açın.

Cihaz üzerindeki etiketler

Takip eden piktogramlar tarih kodu ile birlikte cihazın üzerinde yer alır.



DİKKAT! Sıcak Buhar



Baş aşağı kullanıldığında su damlıyor



Her taraftan buhar kaçıyor



Küçük çocuklarla gözetimsiz başıbaş bırakmayın



Sadece elle yıkama



DİKKAT! Sıcak yüzey

Özellikler

Bu cihazda aşağıdaki kısımların bazıları veya tamamı bulunur.

1. Açma/kapama düğmesi
2. Autoselect™ çarkı
3. Portatif buhar ünitesi sapı
4. Doldurma kapağı
5. Portatif buhar ünitesi
6. El tutamağı
7. Üst kablo sarma kancası
8. Ana tutamak
9. Alt kablo sarma kancası
10. Portatif buhar ünitesi serbest bırakma düğmesi
11. Ana gövde
12. Zemin temizleme başlığı
- 12a. Kaldırılarak çıkartılabilir delta bölümlü zemin temizleme başlığı
- 12b. Delta başlık
- 12c. Buhar başlığı çıkarma tırnağı
- 12d. Halı aparatı (halılarda kullanım için)
13. Zemin temizleme altlığı
14. Zemin temizleme altlığı serbest bırakma tırnağı
15. Askı Aparatı
16. Buhar hortumu
17. Buhar memesi
18. Açılı fırça aksesuarı
(çıkarılması zor lekelerde kullanım için)
- 18a. Açılı fırça (tel fırça)
19. Fırça aksesuarı
(fayansların üzerini/aralarını temizlerken kullanım için)
20. Silecek aksesuarı
(duş perdeleri / cam / aynalar / giysiler / döşemelerde kullanım için)
- 20a. Silecek tabanı
21. Büyük silecek aksesuarı
(duş perdeleri / cam / aynalar / giysiler / döşemelerde kullanım için)
- 21a. Büyük silecek tabanı
22. Buhar püskürtme fırçası ünitesi
- 22a. Buhar püskürtmeli tel fırça
(mangal / fırınlarda kullanım için)

- 22b. Buhar püskürtmeli fırça
(mangal / fırın / fırınlı ocaklar / musluklar / fayans aralarında kullanım için)
- 22c. Buhar püskürtmeli geniş fırça
(daha büyük çalışma yüzeylerinde kullanım için)
23. Delta başlığı temizleme pedi.
24. SteaMitt™
25. SteaMitt™ hortumu
26. SteaMitt™ temizleme pedi
27. SteaMitt™ temizleme pedi 2
28. Ultra emici zemin temizleme pedi
29. Dahili kazıyıcı büyük fırça

Yapılandırma

	F S M H 1 1 3 2 1	B H S M M 1 6 8 D	B H S M M 1 6 6 S D U	B H S M M 1 6 6 S D S M	B H S M M 1 1 6 6 D D S M	B H S M M 1 1 6 1 D D S M	B H S M M 1 1 6 1 D D S M	B H S M M 1 1 6 1 D D S G	B H S M M 1 1 6 1 D D S A M	S E T I N G S
12	✓									Tümü
12a		✓	✓	✓	✓	✓	✓	✓	✓	Tümü
12d		✓	✓	✓	✓	✓	✓	✓	✓	Tümü
13	✓	✓	✓	✓	✓	✓	✓	✓	✓	Tümü
16	✓	✓	✓	✓	✓	✓	✓	✓	✓	Tümü
18	✓	✓	✓	✓	✓	✓	✓	✓	✓	•
18a					✓		✓			••
19	✓	✓	✓	✓	✓	✓	✓	✓	✓	••
20	✓			✓	✓					•
20a	✓			✓	✓					•
21		✓	✓		✓		✓	✓	✓	•
21a					✓		✓	✓	✓	•
22					✓	✓			✓	Tümü
22a					✓	✓			✓	Tümü
22b					✓	✓			✓	Tümü
22c					✓	✓			✓	Tümü
23		✓	✓	✓	✓	✓	✓	✓	✓	Tümü
24					✓	✓	✓	✓	✓	Tümü
25					✓	✓	✓	✓	✓	Tümü
26			✓	✓	✓	✓	✓	✓	✓	Tümü
27							✓	✓	✓	Tümü
28							✓	✓	✓	Tümü
29							✓	✓	✓	Tümü

Montaj



Uyarı! Aşağıdaki işlemlerden herhangi birini gerçekleştirmeye çalışmadan önce cihazın kapalı, fişinin çekilmiş ve soğumuş olduğundan ve içerisinde hiç su bulunmadığından emin olun.

Süpürge sapının takılması (Şekil A)

- ◆ Süpürge sapının (8) alt kısmını yerine oturana kadar buharlı süpürge gövdesinin üst kısmında (11) kaydırın.

Portatif buharlı temizleyicinin takılması (Şekil B)

- ◆ Buharlı süpürge gövdesinin (11) arkasını tutarak portatif buharlı temizleyiciyi (5) buharlı süpürge gövdesine (11) sıkıca itin ve arayüzün (11a) üzerine doğru bir şekilde oturduğundan ve yerine sıkıca oturduğundan emin olun.

Portatif buharlı temizleyicinin çıkartılması (Şekil B)

- ◆ Ana gövde (11) üzerindeki serbest bırakma düğmesine (10) basın ve portatif buharlı temizleyiciyi (5) arayüzden (11a) ve ana gövdeden (11) uzaklaştırın.

Temizleme pedinin takılması (Şekil C)

Yedek temizleme pedlerini BLACK+DECKER yetkili satıcınızdan temin edebilirsiniz:- (kat. no. FSMP20-XJ).

- ◆ Bir temizleme pedini (13) 'cirt cirtli' tarafı yukarı gelecek şekilde yere koyun.
- ◆ Buharlı süpürgeyi temizleme pedinin (13) üzerine hafifçe bastırın.

Not: Bu cihaz, standart bir zemin temizleme başlığı (12) veya bir buhar patlaması temizleme kafası (12a) ile tedarik edilebilir. Her iki durumda da bir temizleme pedi takmak için bu talimatları kullanın.

Dikkat! Buharlı süpürgeyi hiçbir zaman belirli bir süre herhangi bir yüzeydeki tek bir nokta üzerinde bırakmayın. Buharlı süpürgeyi çalıştırılmadığı zamanlarda her zaman koruma altlığı üzerinde destekli şekilde ve sapı dik konumda (8) tutun ve kullanılmadığı zamanlarda buharlı süpürgeziniz kapalı olduğundan emin olun.

Temizleme pedinin çıkarılması

Dikkat! Buharlı süpürgeziniz temizleme pedini değiştirirken her zaman uygun bir ayakkabı giyin.

Terlik ya da burnu açık ayakkabı giymeyin.

- ◆ Sapı (8) dik konuma getirin ve buharlı süpürgeyi Kapalı konumuna alarak kapatın.
- ◆ Buharlı süpürgezin soğumasını bekleyin (yaklaşık 5 dakika).
- ◆ Buharlı süpürgeyi cirt cirtli tutturucudan kurtararak temizleme pedinden kaldırın.

Dikkat! Buharlı süpürgeyi hiçbir zaman belirli bir süre herhangi bir yüzeydeki tek bir nokta üzerinde bırakmayın. Buharlı süpürgezinizi çalıştırılmadığı zamanlarda her zaman

koruma altlığı üzerinde destekli şekilde ve sapı dik konumda (8) tutun ve kullanılmadığı zamanlarda buharlı süpürgeziniz kapalı olduğundan emin olun.

Su haznesinin doldurulması (Şekil O)

Not! Su haznesini temiz musluk suyu ile doldurun (Herhangi bir katkı maddesi veya kimyasal kullanmayın).

Not! Sert suya sahip bölgelerde, iyondan arındırılmış su kullanılması önerilir.

- ◆ Doldurma kapağını (4) yukarı doğru çevirerek açın.
- ◆ Su haznesini musluk suyu ile doldurun (Herhangi bir katkı maddesi veya kimyasal kullanmayın).

Uyarı! Doldururken, ana üniteden ayırın ve yatay konumda tutun.

Uyarı! Hazne su kapasitesi 0,5 litredir. Hazneye fazla su doldurmayın.

- ◆ Doldurma kapağını (4) kapatın.

Not! Doldurma kapağının sıkıca kapatıldığından emin olun.

Halı aparatının takılması (12d) (Sadece halılarda kullanım için)

- ◆ Halı aparatını (12d) yere koyun.
- ◆ Zemin temizleme başlığına (12,12a) bir temizleme pedi takın
- ◆ Buharlı süpürgeyi yerine oturana kadar halı aparatı (12d) üzerinde aşağıya doğru hafifçe bastırın.

Dikkat! Buharlı süpürgeyi hiçbir zaman belirli bir süre herhangi bir yüzeydeki tek bir nokta üzerinde bırakmayın. Buharlı süpürgezinizi çalıştırılmadığı zamanlarda her zaman koruma altlığı üzerinde destekli şekilde ve sapı dik konumda (8) tutun ve kullanılmadığı zamanlarda buharlı süpürgeziniz kapalı olduğundan emin olun.

Halı aparatının çıkarılması

Dikkat! Buharlı süpürgeziniz halı başlığını değiştirirken her zaman uygun bir ayakkabı giyin. Terlik ya da burnu açık ayakkabı giymeyin.

- ◆ Sapı (8) dik konuma getirin ve buharlı süpürgeyi Kapalı konumuna alarak kapatın.
- ◆ Buharlı süpürgezin soğumasını bekleyin (yaklaşık 5 dakika).
- ◆ Ayakkabınızın ön ucunu halı aparatını çıkarma parçasının üzerine koyun ve sıkıca bastırın.
- ◆ Buharlı süpürgeyi halı aparatından yukarı kaldırarak çıkartın.

Dikkat! Buharlı süpürgeyi hiçbir zaman belirli bir süre herhangi bir yüzeydeki tek bir nokta üzerinde bırakmayın. Buharlı süpürgezinizi çalıştırılmadığı zamanlarda her zaman koruma altlığı üzerinde destekli şekilde ve sapı dik konumda (8) tutun ve kullanılmadığı zamanlarda buharlı süpürgeziniz kapalı olduğundan emin olun.

Delta Başlığı (Şekil D)

Bu buharlı süpürge, zorlu köşelere ve dar alanlara erişebilmenizi sağlayan dahili bir delta başlığına sahiptir.

Dikkat! Buharlı süpürgeziniz delta başlığına erişirken her zaman uygun bir ayakkabı giyin. Terlik ya da burnu açık ayakkabı giymeyin.

- ◆ Buharlı süpürgezi 'OFF' (Kapalı) konuma getirin.
- ◆ Buharlı süpürgezin soğumasını bekleyin (yaklaşık beş dakika).
- ◆ Ayakkabınızın ön ucunu temizleme pedini buhar başlığı çıkarma parçasının üzerine koyun (12c) ve hafifçe bastırın.
- ◆ Delta başlığını (12b) buhar başlığından (12a) yukarı kaldırarak çıkarın
- ◆ Delta başlığı temizleme pedini delta başlığının alt kısmına takın.

Not: Delta başlığını buhar başlığına yeniden takmadan önce temizleme pedini çıkartın.

- ◆ Delta başlığını yeniden takmak için, Delta başlığını ucunu buhar başlığına yerleştirin ve ardından Delta başlığının yerine oturduğundan emin olarak sıkıca bastırın.

Hortum ve aksesuarların portatif buharlı temizleyiciye takılması (Şekil G - M)

Uyarı! Her kullanımdan önce portatif buharlı temizleyici (5) üzerindeki bağlantı noktası ile buhar hortumu (16) arasındaki contayı kontrol edin. Conta arızalı veya hasarlıysa lütfen en yakındaki yetkili servisle iletişime geçin. Cihazı kullanmayın.

Hortumun takılması

- ◆ Buhar hortumundaki (16) buhar hortumu serbest bırakma düğmesine (16a) basın.
- ◆ Buhar hortumunu (16) portatif buharlı temizleyiciye (5) bağlayın ve yerine oturduğundan emin olarak buhar hortumu serbest bırakma düğmesini (16a) serbest bırakın.

Önemli! Portatif buharlı temizleyiciye (5) takmadan önce buhar hortumunun (16) sıkıca sabitlendiğinden emin olun. Bağlantıdan buhar çıkıyorsa, hortum yanlış takılmıştır. Üniteyi kapatın, soğumasını bekleyin ve ardından hortumu çıkarıp yeniden takın.

Aksesuarların takılması (Şekil H)

- ◆ Buhar memesi (17) üzerindeki çıkıntıları aksesuar üzerindeki girintilerle hizalayın.
- ◆ Aksesuarı buhar memesine (17) bastırın ve aksesuar yerine oturanaya kadar saat yönünün tersine çevirin.

Önemli! Kendi hortumu ve konektörü (25) olan SteaMitt™ (24) dışındaki tüm aksesuarlar, kullanım için buhar hortumuna (16) takılmıdır.

Hortum ve aksesuarların çıkartılması

Uyarı! Buhar hortumu (16), buhar memesi (17) ve aksesuarlar

kullanım sırasında ısınır. Çıkartmaya çalışmadan önce ünite ve tüm aksesuarların soğumasını bekleyin.

Bir aksesuarın çıkartılması

- ◆ Aksesuarı hortumdan (16) ayrılana kadar saat yönünde çevirin.

Hortumun çıkartılması

Buhar hortumundaki (16) buhar hortumu serbest bırakma düğmesine (16a) basın ve portatif buhar ünitesinden çekin.

SteaMitt™

BLACK+DECKER™ SteaMitt™ fayanslar, mutfak tezgahları, mutfak ve banyo zeminlerini temizlenip dezenfekte edilmesi için tasarlanmıştır. Bu cihaz, yalnızca ev içinde kullanım amacıyla tasarlanmıştır.

SteaMitt™ hortumunun portatif buhar ünitesine takılması

Uyarı! Her kullanım öncesinde buhar memesi ve hortum üzerindeki contayı inceleyin. Conta yoksa veya hasarlıysa lütfen en yakındaki yetkili servisle iletişime geçin.

Cihazı kullanmayın. SteaMitt™ ve hortum üzerindeki contayı inceleyin, conta yerinde yoksa, hasarlıysa veya buhar çıkıyorsa, lütfen en yakın yetkili servisle iletişime geçin.

Cihazı kullanmayın. SteaMitt™ hortumunda veya bağlantı hortumunda tıkanma veya empedans olmadığından emin olun. Tıkanma veya empedans varsa lütfen en yakındaki yetkili servisle iletişime geçin. **Cihazı kullanmayın.**

Bir temizleme pedinin SteaMitt™ aparatına takılması (Şekil J)

Uyarı! Buhar çıkış kanallarında tıkanma veya empedans olmadığından emin olun Tıkanma veya empedans varsa lütfen en yakındaki yetkili servisle iletişime geçin. **Cihazı kullanmayın.**

- ◆ Temizleme pedinin üst tarafındaki 'halkalı' cırt bantları (26a) SteaMitt™ aparatının (24) alt tarafındaki 'kancalı' cırt cırtlı pedlere (24a) takarak temizleme pedini (26) SteaMitt™ aparatına (24) takın. Aşağı doğru sıkıca bastırın.

Uyarı! SteaMitt™ bir temizlik pedi takmadan kullanılmamalıdır.

Not: SteaMitt™ farklı kalınlıklarda 4 tip temizleme pedini barındırır. Ovma pedi (sert lekelerde ve hassas olmayan yüzeylerde kullanım için), Banyo pedi (musluklarda ve diğer kaplamalı banyo yüzeylerinde kullanım için), Standart ped (tüm büyük yüzeylerde kullanım için) ve Parlatma pedi (hassas yüzeylerde kullanım için).

Uyarı! SteaMitt™ aparatını her zaman elinizle koruyucu eldivenin içindeyken Şekil M'de gösterildiği gibi kullanın.

- ⚠ **Uyarı!** SteaMitt™ aparatını kesinlikle Şekil N'de gösterildiği gibi dışarıdan kavrayarak kullanmaya çalışmayın. Bu durum yanıklara neden olabilir.
- ⚠ **Uyarı!** SteaMitt™ aparatını Şekil O'da gösterildiği gibi dar köşelerde kullanmaktan kaçının.
- ⚠ **Uyarı!** Kullanım sırasında bir sorun meydana gelirse, SteaMitt™ aparatını Şekil P'de gösterildiği gibi elinizden hızlı bir şekilde çıkarmak için hızlı çıkarma tırnağını kullanın.
- ⚠ **Uyarı!** SteaMitt™ aparatını pencereler gibi soğuk camlar üzerinde kullanmayın, aksi takdirde ani sıcaklık değişiminden ötürü hasar meydana gelebilir.
- ⚠ **Uyarı!** Ucu asla kendinize veya başka bir kişiye doğrultmayın veya yöneltmeyin.

Not: SteaMitt™ takıldığında değişken buhar göstergesinin bağlantısı kesilir ve ardından buhar akışı sınırlanır.

Kullanım

Önemli! Bu cihaz, mikro fiber ped takılı olarak ve ara vermeden 90 saniye süreyle kılavuzda belirtilen talimatlara uygun şekilde çalıştırmanın ardından bakteri ve mikropların %99,9'unu öldürür.

Açma ve kapatma

- ◆ Cihazı açmak için, Açma/Kapama düğmesine (1) basın. Buharlı süpürgeyi ısınması yaklaşık 20 saniye sürer.
- ◆ Cihazı kapatmak için, Açma/Kapama düğmesine (1) basın.

Not: buhar düğmesine basmadan önce elinizi daima SteaMitt™ aparatının içinde tutun.

Dikkat! Buharlı süpürgeyi hiçbir zaman belirli bir süre herhangi bir yüzeydeki tek bir nokta üzerinde bırakmayın. Buharlı süpürgeyi çalıştırılmadığı zamanlarda her zaman koruma altlığı üzerinde destekli şekilde ve sapı dik konumda (8) tutun ve kullanılmadığı zamanlarda buharlı süpürgeziniz kapalı olduğundan emin olun.




Dikkat! Kullandıktan sonra buharlı süpürgeyi içini her zaman boşaltın.

Not! İlk doldurulduktan veya kuru çalıştırdıktan sonra buhar üretilmesi yaklaşık 45 saniye sürebilir.

Autoselect™ Teknolojisi (Şekil P)

Bu buharlı süpürge, çeşitli temizlik uygulamalarını seçmenizi sağlayan bir Autoselect™ çarkı (2) mevcuttur. Bu uygulamalar, temizleme işleminin için doğru olan çalışma modunu seçmek için kullanılır.

Autoselect™ özelliğini kullanarak, gerekli ayar seçilene kadar Autoselect™ çarkını (2) çevirerek aşağıdaki uygulamalardan birini seçin.

Ayarlama	Süpürge	Elde kullanım
	Aşap/Laminat	Düşük buhar akışı ●
	Fayans/Marley	Orta seviye buhar akışı ● ●
	Taş/Mermer	Yüksek buhar akışı ● ● ●

Buharlı süpürge, temizleme işleminiz için gereken doğru miktardaki buharı ayarlayacaktır.

Not: Buharlı süpürgeyi kullanmadan önce doğru ayarda kullandığınızı daima kontrol edin.

Yararlı tavsiyeler

Genel

Dikkat: Bir temizleme pedi takmadan önce, buharlı süpürgeyi hiçbir zaman kullanmayın.

- ◆ Buharlı süpürgeyi kullanmadan önce zemini mutlaka elektrik süpürgeyle veya süpürgeyle süpürün.
- ◆ Cihazı kullanmanın en kolay yolu, sapını 45°'lik bir açıya getirip, tek seferde küçük bir alanı kaplayacak şekilde yavaşça temizlemektir.
- ◆ Buharlı süpürgede yalnızca hiçbir katkı maddesi veya kimyasal madde içermeyen su kullanın. Marley ya da muşamba döşemelerdeki inatçı lekeleri temizlemek için buharlı süpürgeyi kullanmadan önce lekenin üstüne hafif deterjan ve biraz su dökerek ön temizlik yapın.

Paspas ile buharlı temizlik

- ◆ Portatif buharlı temizleyiciyi (5) buharlı süpürge gövdesine (11) takın
- ◆ Bir temizleme pedini (13) 'cirt cirtli' tarafı yukarı gelecek şekilde yere koyun.
- ◆ Buharlı süpürgeyi temizleme pedinin (13) üzerine hafifçe bastırın.
- ◆ Buharlı süpürgeyi prize takın.
- ◆ Açma/kapatma düğmesine (1) basın. Buharlı süpürgeyi ısınması yaklaşık 15 saniye sürer.
- ◆ Gerekli ayara ulaşana kadar Autoselect™ çarkını (2) çevirin. Birkaç saniye sonra buhar başlığından buhar gelmeye başlayacaktır.

Not! İlk doldurulduktan veya kuru çalıştırdıktan sonra buhar üretilmesi yaklaşık 45 saniye sürebilir.

- ◆ Buharın temizleme pedine gelmesi birkaç saniye sürer. Buharlı süpürge şimdi temizlenecek/sterilize edilecek yüzey üzerinde kolayca hareket edecektir.
- ◆ Her yeri buharla iyice temizlemek için buharlı süpürgeyi zemin üzerinde yavaşça ileri geri gezdirin.
- ◆ Buharlı süpürgeyi kullanmayı bitirdiğinizde, sapı (8) dik

konuma getirin, desteklendiğinden emin olun ve "KAPALI" konuma getirin. Buharlı süpürgeğin soğumasını bekleyin (yaklaşık beş dakika).

Dikkat! Su haznesindeki su seviyesini izlemek önemlidir. Su haznesini yeniden doldurmak ve dezenfekte etmeye/temizlemeye devam etmek için süpürgeyi dik konumda tutun ve sapın desteklendiğinden emin olun ve buharlı süpürgeyi 'KAPALI' konuma getirin. Fişi prizden çekin, su haznesini doldurun.

Dikkat! Buharlı süpürgeyi hiçbir zaman belirli bir süre herhangi bir yüzeydeki tek bir nokta üzerinde bırakmayın. Buharlı süpürgeyi çalıştırılmadığı zamanlarda her zaman koruma altlığı üzerinde destekli şekilde ve sapı dik konumda (8) tutun ve kullanılmadığı zamanlarda buharlı süpürgeğin kapalı olduğundan emin olun.

Halların temizlenmesi

- ◆ Bir temizleme pedini (13) 'cırt cırtlı' tarafı yukarı gelecek şekilde yere koyun.
- ◆ buharlı süpürgeyi temizleme pedinin üzerine hafifçe bastırın.
- ◆ Halı aparatını (12d) yere koyun.
- ◆ Buharlı süpürgeyi yerine oturana kadar halı aparatı üzerinde aşağıya doğru hafifçe bastırın.
- ◆ Buharlı süpürgeyi prize takın.
- ◆ Açma/kapatma düğmesine (1) basın. Buharlı süpürgeğin ısınması yaklaşık 15 saniye sürer.
- ◆ Autoselect™ çarkını (2) Ahşap/Laminat ayarına getirin.
- ◆ Her yeri buharla iyice temizlemek için buharlı süpürgeyi halının üzerinde yavaşça ileri geri gezdirin.
- ◆ Buharlı süpürge ile işinizi bitirdiğinizde, sapını (8) dik konuma getirin ve üniteyi KAPATIN. Buharlı süpürgeğin soğumasını bekleyin (yaklaşık beş dakika).

Kullandıktan sonra

- ◆ Autoselect™ çarkını (2) Kapalı konuma çevirin.
- ◆ Buharlı süpürge soğuyana kadar bekleyin.
- ◆ Buharlı süpürgeğin fişini prizden çekin.
- ◆ Su haznesini boşaltın.
- ◆ temizleme pedini (13) çıkarın ve bir sonraki kullanım için yıkayın (temizleme pedinde yazılı yıkama bakım talimatlarına uymaya dikkat edin).
- ◆ Süpürgeğin kablосunu, kablo sarma askısının etrafına sarın (7 ve 9).
- ◆ Sapın tutma yerinde (6) bulunan askı aparatı (15) buharlı süpürgeğiniz duvardaki uygun bir askıya asmanızı sağlar. Duvar askısının buharlı süpürgeğin ağırlığını güvenle taşıyabilecek kapasitede olduğundan emin olun.
- ◆ Saptan ayrıca, buharlı süpürgeğin dikey bir yüzeye güvenli bir şekilde yaslanmasını sağlayan bir lastik durdurucu bulunur.

Portatif buharlı temizleyici kullanımı

Uyarı! Ünite ana gövdeye (11) bağlanmadığı veya buhar hortumu (16) takılmadığı sürece buhar üretmeyecektir.

Uyarı! Yalnızca yatay konumda kullanın.

- ◆ Gerekli aksesuarı takın.
- ◆ Portatif buharlı temizleyiciyi prize takın.
- ◆ Açma/kapatma düğmesine (1) basın. Buharlı süpürgeğin ısınması yaklaşık 15 saniye sürer.
- ◆ Gerekli ayara ulaşına kadar Autoselect™ çarkını (2) çevirin. Birkaç saniye sonra buhar başlığından buhar gelmeye başlayacaktır.

Not! İlk doldurulduktan veya kuru çalıştırdıktan sonra buhar üretimi yaklaşık 45 saniye sürebilir.

- ◆ Portatif buharlı temizleyiciyi kullanarak işinizi bitirdiğinizde Autoselect™ çarkını (2) KAPALI konumuna çevirin. AÇMA/KAPATMA düğmesine (1) basarak üniteyi KAPATIN ve fişini prizden çekin. Üniteyi depoya kaldırmadan önce soğumasını bekleyin (yaklaşık beş dakika).

Aksesuarlar

Cihazın performansı kullanılan aksesuara bağlıdır. BLACK+DECKER aksesuarları yüksek kalite standartları için üretilmiş, cihazınızın performansını artırmak üzere tasarlanmıştır. Bu aksesuarları kullandığınızda üründen en iyi performansı alırsınız.

Teknik Veriler

	Voltaj	Güç	Hazne Kapasitesi	Isınma süresi	Kablo uzunluğu	Ağırlık
	V _{AC}	U	ml	saniye	m	kg
FSMH1321	230	1600	500	≤20	6	2,7
BHSM168D	230	1600	500	≤20	6	2,8
BHSM168U	230	1600	500	≤20	6	2,8
BHSM168DSM	230	1600	500	≤20	6	2,8
BHSM1615DSM	230	1600	500	≤20	7	2,9
BHSM1615DAM	230	1600	500	≤20	7	2,9
BHSM1615DSG	230	1600	500	≤20	8	2,9
BHSM168DSM	230	1600	500	≤20	8	2,9
BHSM169DSM	230	1600	500	≤20	8	2,9
BHSM1610DSM	230	1600	500	≤20	8	2,9

Sorun Giderme

Cihazınız doğru çalışmıyor gibi görünüyorsa, aşağıdaki talimatları uygulayın. Sorun bu şekilde çözülemezse, lütfen BLACK+ DECKER servisiniz ile bağlantı kurun.

Sorun	Adım	Olası çözüm
Buharlı süpürge açılmıyor	1.	Ünitenin prize takılı olduğundan emin olun.
	2.	Ünitenin açma/kapama düğmesi (1) kullanılarak açıldığını kontrol edin
	3.	Prizin sigortasını kontrol edin.

Sorun	Adım	Olası çözüm
Buharlı süpürge buhar üretmiyor	4.	Buharlı süpürge, yalnızca portatif buharlı temizleyici (5) ana gövdeye (11) doğru şekilde yerleştirilirse veya buhar hortumu takılırsa veya Autoselect™ düğmesi AÇIK konuma getirilirse buhar üretir
	5.	Su haznesinin dolu olduğundan emin olun. Not: İlk doldurulduktan veya kuru çalıştırıldıktan sonra buhar üretmesi yaklaşık 45 saniye sürebilir.
	6.	Adım 1, 2 ve 3'ü sırasıyla kontrol edin
Buharlı süpürge kullanım sırasında buhar üretmeyi durduruyor	7.	Adım 4, 5 ve 3'ü sırasıyla kontrol edin
Buharlı süpürge kullanım sırasında çok fazla buhar üretiyor	8.	Üretilen buhar miktarını azaltmak için Autoselect™ düğmesini (2) saatin tersi yönde çevirin
Buharlı süpürge kullanım sırasında çok az buhar üretiyor	9.	Üretilen buhar miktarını artırmak için Autoselect™ düğmesini (2) saat yönünde çevirin
Portatif buharlı temizleyici buhar üretmiyor	10.	Autoselect™ çarkının (2) AÇIK konumda olduğunu kontrol edin
	11.	Adım 5, 1, 2 ve ardından 3'ü sırasıyla kontrol edin
Portatif buharlı temizleyici kullanım sırasında çok az buhar üretiyor	12.	Üretilen buhar miktarını artırmak için Autoselect™ düğmesini (2) saat yönünde çevirin
	13.	Adım 5'i kontrol edin
Portatif buharlı temizleyici kullanım sırasında çok fazla buhar üretiyor	14.	Üretilen buhar miktarını azaltmak için Autoselect™ düğmesini (2) saatin tersi yönde çevirin
Aksesuarlar üniteden düşüyor	15.	Tüm parça ve aksesuarların doğru takılmasıyla ilgili talimatlar için montaj bölümüne bakın
Ünitenin normal olmayan yerlerinden buhar kaçağı var	16.	Tüm parça ve aksesuarların doğru takılmasıyla ilgili talimatlar için montaj bölümüne bakın
Daha fazla bilgiyi/aksesuarı nereden edinebilirim	17.	www.blackanddecker.co.uk/steammop www.blackanddecker.ie/steammop

Bakım ve Temizleme

BLACK+ DECKER kablolu cihazınız, asgari bakım yapıldığında uzun bir süre kullanılacak şekilde tasarlanmıştır. Uzun süre boyunca verimli bir şekilde çalışma, cihazda uygun bakım ve düzenli temizlik yapılmasına bağlıdır.

Uyarı! Kablolu cihazlarda herhangi bir bakım ve temizleme işleminden önce cihazı kapatın ve cihazın fişini prizden çekin.

- ◆ Cihazınızı yumuşak ve nemli bir bezle silin.
- ◆ İnatçı lekeleri, bezinizi ıslatmak için kullanacağınız sabun ve su karışımıyla temizleyebilirsiniz.

Temizleme pedlerinin bakımı

Yıkama bakım talimatları - Pedler 60°C'de yıkanabilir. Kumaş yumuşatıcı kullanmayın. Yeniden kullanmadan önce tamamen kurumasını bekleyin.

Dikkat! Temizleme pedinin etiketi üzerinde yazan yıkama talimatlarına uymaya özen gösterin.

Elektrik fişinin değiştirilmesi (Sadece İngiltere ve

İrlanda)

Yeni bir sebeke fişinin takılması gerekiyorsa:

- ◆ Eski fişi güvenli bir şekilde elden çıkartın.
- ◆ Kahverengi kabloyu yeni fişteki elektrik terminaline bağlayın.
- ◆ Mavi kabloyu nötr terminale bağlayın.
- ◆ Yeşil/sarı kabloyu topraklama terminaline bağlayın.

Uyarı! İyi kalitede fişlerle birlikte verilen bağlantı talimatlarını takip edin. Önerilen sigorta: 13 A.

Çevrenin korunması



Ayrı toplama. Bu simgeyi taşıyan ürünler ve bataryalar normal evsel atıklarla birlikte atılmamalıdır

Ürünler ve bataryalar, hammadde ihtiyacını azaltabilecek olan geri kazanılabilir veya geri dönüştürülebilir materyaller içerir. Lütfen elektrikli aletleri ve bataryaları yerel hükümler doğrultusunda geri dönüşüme tabi tutun. Daha fazla bilgi www.2helpU.com adresinde mevcuttur

Garanti

Black & Decker ürünlerinin kalitesine güvenir ve müşterilerine, satın alma tarihinden itibaren 24 aylık bir garanti sunar. Bu garanti yasal haklarınıza bir ek olup bunları hiçbir şekilde etkilemez.

İşbu garanti Avrupa Birliğine üye ülkeler ile Avrupa Serbest Ticaret Bölgesi sınırları dahilinde geçerlidir.

Garanti hakkını kazanmak için, talebin Black&Decker Şartları ve Koşulları ile uyumlu olması ve satın alma belgenizi satıcıya veya yetkili onarım temsilcisine göndermeniz gerekir. Black&Decker tarafından sunulan 2 yıllık garantinin şartları ve koşullarının yanı sıra en yakın yetkili onarım acentesinin yer internette www.2helpU.com adresinden veya bu kılavuzda belirtilen adresteki yerel Black&Decker ofisinden öğrenilebilir.


Yeni Black & Decker ürününüzü kaydetmek ve yeni ürünlere ve hizmetlere ilişkin güncel haberleri takip etmek için lütfen www.blackanddecker.com.tr adresindeki web sitemizi ziyaret edin.

İTHALATÇI FİRMA

Ünvanı : STANLEY BLACK&DECKER TURKEY ALET ÜRETİM SAN. TİC. LTD.ŞTİ.
Adresi : AND KOZYATAĞI – İçerenköy Mah. Umut Sok. AND Ofis Sit.
No : 10-12 / 82-83-84 Ataşehir/İstanbul, TURKEY
Telefon No. : 0216 665 29 00
Faks No. : 0216 665 29 01
E-mail : info-tr@sbdinc.com



ÜRÜNÜN

Cinsi :
Markası : 
Modeli :
Seri Numarası :
Garanti Süresi : 2 YIL
Azami Tamir Süresi : 20 İŞ GÜNÜ

SATICI FİRMANIN

Ünvanı :
Adresi :
Telefon No. :
Faks No. :
Fatura Tarih ve No. :
Ürün Teslim Tarihi :
Ürün Teslim Yeri :
Belgeyi Dolduranın Adı Soyadı :

Kaşe - Yetkili İmza

GARANTİ ŞARTLARI

- Garanti süresi, malın teslim tarihinden itibaren başlar ve 2 yıldır.
- Malın bütün parçaları dahil olmak üzere tamamı firmamızın garantisine kapsamındadır.
- Malın ayıplı olduğunun anlaşılması durumunda tüketici, 6502 sayılı Tüketicinin Korunması Hakkında Kanununun 11 inci maddesinde yer alan;
a- Sözleşmeden dönme,
b-Satış bedelinden indirim isteme
c-Ücretsiz onarılmasını isteme
d-Satılanın ayıpsız bir misli ile değiştirilmesini isteme,
haklarından birini kullanabilir.
- Tüketicinin bu haklardan ücretsiz onarım hakkını seçmesi durumunda satıcı; işçilik masrafı, değiştirilen parça bedeli ya da başka herhangi bir ad altında hiçbir ücret talep etmeksizin malın onarımını yapmak veya yaptırmakla yükümlüdür. Tüketicisi ücretsiz onarım hakkını üretici veya ithalatçıya karşı da kullanabilir.
Satıcı, üretici ve ithalatçı tüketici için bu hakkını kullanmasından müteselsilen sorumludur.
- Tüketicinin, ücretsiz onarım hakkını kullanması halinde malın;
- Garanti süresi içinde tekrar arızalanması,
- Tamiri için gereken azami sürenin aşılması,
- Tamirinin mümkün olmadığının, yetkili servis istasyonu, satıcı, üretici veya ithalatçı tarafından bir raporla belirlenmesi durumlarında; tüketici malın bedel iadesini, ayıp oranında bedel indirimini veya imkan varsa malın ayıpsız misli ile değiştirilmesini satıcıdan talep edebilir.
- Satıcı, tüketicinin talebini reddedemez. Bu talebin yerine getirilmemesi durumunda satıcı, üretici ve ithalatçı müteselsilen sorumludur.
- Malın tamir süresi 20 iş gününü geçemez. Bu süre, garanti süresi içerisinde mala ilişkin arızanın yetkili servis istasyonuna veya satıcıya bildiri tarihinden, garanti süresi dışında ise malın yetkili servis istasyonuna teslim tarihinden itibaren başlar. Malın arızasının 10 iş günü içerisinde giderilmemesi halinde, üretici veya ithalatçı; malın tamiri tamamlanıncaya kadar, benzer özelliklere sahip başka bir malı tüketicinin kullanımına tahsis etmek zorundadır. Malın garanti süresi içerisinde arızalanması durumunda, tamirde geçen süre garanti süresine eklenir.
- Malın kullanma kılavuzunda yer alan hususlara aykırı kullanılmasından kaynaklanan arızalar garanti kapsamı dışındadır.
- Garanti kapsam şartları;
a- Ürün hatalı kullanılmamıştır.
b- Ürün yıpranmamış, hırpalanmamış ve aşınmamıştır.
c- Yetkili olmayan kişilerce tamire çalışılmamıştır.
d- Satın alma belgesi (fatura) ibraz edilmiştir.
e- Ürün, tüm orijinal parçaları ile iade edilmiştir.
- Tüketicisi, garantiden doğan haklarının kullanılması ile ilgili olarak çıkabilecek uyuşmazlıklarda yerleşim yerinin bulunduğu veya tüketici işleminin yapıldığı yerdeki Tüketicisi Hakem Heyetine veya Tüketicisi Mahkemesine başvurabilir.
- Satıcı tarafından bu Garanti Belgesinin verilmemesi durumunda, tüketici Gümrük ve Ticaret Bakanlığı Tüketicinin Korunması ve Piyasa Gözetimi Genel Müdürlüğüne başvurabilir.

EEE Yönetmeliğine uygundur.

KULLANMA KILAVUZU İÇİN EK BİLGİLER

-Taşıma ve nakliye sırasında dikkat edilecek hususlar;
Cihazı taşıma ve nakliye esnasında hasar verecek şekilde taşınmamalı, bir yerden bir yere fırlatılmamalı, istifleme yapılırken dikkat edilmeli.

-Gümrük ve Ticaret Bakanlığı uyarınca belirlenen kullanım ömürleri aşağıdaki gibidir;

Testere Makineleri	7 yıl
Polisaj Makineleri	7 yıl
Matkaplar	7 yıl
Vidalama Makineleri	7 yıl
Zımpara Makineleri	7 yıl
Elektrikli Süpürgeler	10 yıl
Jeneratörler	10 yıl
Akümülatörler	5 yıl
Kesintisiz Güç Kaynakları	5 yıl
Dönüştürücüler	3 yıl
Çim-Ot-Çit Kesme Makineleri	5 yıl
Çim Biçme Makineleri	5 yıl
Zincirli Testere Makineleri	5 yıl
Çapalama Makineleri	5 yıl
Araç Buzdolapları	10 yıl
Buharlı Temizlik Makineleri	10 yıl

-Malın ayıplı olduğunun anlaşılması durumunda tüketici, 6502 sayılı Tüketici Korunması Hakkında Kanununun 11 inci maddesinde yer alan;

a- Sözleşmeden dönme,

b-Satış bedelinden indirim isteme

c-Ücretsiz onarılmasını isteme

d-Satılanın ayıpsız bir misli ile değiştirilmesini isteme,

haklarından birini kullanabilir.

-Tüketici, garantiden doğan haklarının kullanılması ile ilgili olarak çıkabilecek uyuşmazlıklarda yerleşim yerinin bulunduğu veya tüketici işleminin yapıldığı yerdeki Tüketici Hakem Heyetine veya Tüketici Mahkemesine başvurabilir.

SERVİS LİSTESİ

SERVİS ADI	ADRES	TELEFON	İL
Efe Elektrik & Bobinaj	KIZILAY CAD. ULUCAMI SOK. NURAL İŞH.NO:10 EYHAN	0322 351 85 86	ADANA
Katar Bobinaj	Güvenevler Mah. 1. San. Sit. 622 Sok. 6. Blok No:12/A	0272 214 48 64	AFYONKARAHİSAR
Aydemir Bobinaj	OSTİM 1178 SOK. ESKİ SK. 89 YENİMAHALLE	0312 354 29 28	ANKARA
Leveltech Elektronik (Sadece Lazer)	Marmara Sok. 16/8 Şihhiye	0312 36912 86	ANKARA
Tezcan Elektrik Bobinaj	1230/1 SOK. NO:38 OSTİM / ANKARA	0312 354 80 21	ANKARA
Tezcan Elektrik Bobinaj (Şube1)	YENİ SAN. SİT. DEMİR CAD. NO:64 DISKAPI /	0312 311 28 09	ANKARA
Tezcan Elektrik Bobinaj (Şube2)	CALIM SOK. NO: 32/E SİTELER	0312 348 63 88	ANKARA
Tanrıkulu Makina	CUMHURİYET MAHALLESİ, 680. SK. NO:89, 07010 MURATPASA	0242 335 35 82	ANTALYA
Yaşar Bobinaj	ASAGI PAZARCI MAH.1068 SOK. NO: 19	0242 742 44 07	ANTALYA
Özen Bobinaj	ATA MAH. TEPECİK BULVARI NO:39	0256 227 07 07	AYDIN
Karesi Kaynak Merkez	Paşa Alanı, 45. Sk. 10020 Balıkesir Merkez	0266 246 41 01	BALIKESİR
Küre Bobinaj	17 Eylül, Atatürk Cd. No:109, 10200 Bandırma	0266 718 46 79	BALIKESİR
Özkaya bobinaj	Cumhuriyet, 1523. Sk. No:26, 72070 Batman Merkez	04882140046	BATMAN
Garanti Bobinaj	Sanayi Sitesi 28. Blok No:2	0374 215 51 23	BOLU
Vokart Ltd. Şti.	GAZİLER CAD. ERİKLİ BAHÇE SOK. NO: 7/B/ BURSA	0224 254 48 75	BURSA
Vokart Ltd. Şti. (Şube)	BESİEVLER KULÇUK SAN. SİT. ERTUGRUL CAD. 13. SATIŞ BLOK NO:19	0224 441 57 00	BURSA
Başar Bobinaj	Naralık Kemal Mah. Site 3 Sok. No:1A	0286 212 3818	ÇANAKKALE
Emek Bobinaj	Küçük San. Sit. 23. Cad. No:5C	0364 234 68 84	ÇORUM
Aydoğan Bobinaj	SARAYLAR MAH. I. SAN. SİTESİ 158 SOK NO:18 A-B	0258 264 55 15	DENİZLİ
Örsler Bobinaj	AHISINAN CAD. 171 SOK. SEDEF CARSISI NO: 9/10 /	0258 261 42 74	DENİZLİ
Çetsan Elektrik	SAN. SİT. KARAKOL SOK. NO: 1	0412 237 29 04	DİYARBAKIR
Beş Yıldız Servislik Hiz.	KULTUR MAH. ESKİ SAN. CARSISI 792. SOK. NO:27	0380 523 51 59	DÜZCE
Bakırcıoğlu	KARAAGAC MAH. SUMERBANK CAD. NO:18/3	0446 223 09 59	ERZİNCAN
Tepebaşı Teknik	Güllük, Zübeyde Hanım Bv 13/A, 26170 Tepebaşı	0222 323 59 80	ESKİŞEHİR
Hedef Bobinaj	SANAYİ, GÖLLÜCE CD. NO:16, 27110 SEHİTKAMİL	0342 235 15 05	GAZİANTEP
Umut Servislik Hiz.	DUZİPE MAH. ÖMER BATTAL CAD. NO:49 - SAHİNBEY	0342 271 71 26	GAZİANTEP
3B Mekatronik (Sadece Lazer & Akü)	Bahçeşehir, Fulya Sk. No:12/A, 34893 Pendik/İstanbul	0216 390 62 58	İSTANBUL
Altek Mekatronik	İCMELER MAH. ANKARA CAD. ERDOĞAN SOK. NO:5/C	0216 494 03 43	İSTANBUL
ARD Makine	İKTELLİ ORG. SAN. BOL. SARAÇLAR SAN. SİT. 9. BLOK NO: 25	0212 548 24 00	İSTANBUL
EMS Elektrik	FEYZULLAH MH. BAGDAT CD. LİDER SK. NO:3	0216 419 49 93	İSTANBUL
Ermak Bobinaj	PERSEMBE PAZARI CAD. ÖMERAGA SOK NO: 11 BEYOĞLU	0212 252 33 86 -95	İSTANBUL
Fırat Servislik	Tünel Cad. Zincirlihan Sok. No:3/A Karaköy / İSTANBUL	0212 252 93 43	İSTANBUL
Furkan Elektrik	NECİP FAZİL BULVARI KEREM SK. NO:12/B YUKARI DUDULLU	0216 499 26 63	İSTANBUL
Kardeşler Bobinaj	KAGITHANE CADDESİ NO:47 CAGLAYAN	0212 224 97 54	İSTANBUL
Kartek Havalı El Aletleri(Sadece Havalı Grup)	Mescit mah. Demokrası cad. Birnes Sanayi Sitesi A 4 Blok no :33, 34859 Tuzla	0216 394 4579	İSTANBUL
Kılıç Teknik Makina	GUZELYURT, YILDIRIM BEYAZIT CD. NO:31, 34524 BEYLİKDUZU	0212 853 77 49	İSTANBUL
Sistem Harita (Sadece Lazer)	PERPA TİC. MERKEZİ KAT:8 B/BLOK NO: 855 OKMEYDANI	0212 222 51 51	İSTANBUL

SERVİS LİSTESİ

SERVİS ADI	ADRES	TELEFON	İL
TRK Makina	BAGDAT CAD. ADALISOK NO:8 / İSTANBUL	0216 305 44 43	İSTANBUL
Zirve Teknik	TURGUT REİS MAH. FATİH BULVARI NO: 394/C	0216 419 24 33	İSTANBUL
Kent Bobinaj	ATA SANAYİ SİTESİ NO:50	0 232 328 10 33	İZMİR
Ulusal Teknik Servis	1203 SK. No: 18/C Balınlı İş Merkezi Yenışehir	0232 469 35 33	İZMİR
Damla Elektrik Bobinaj	Hürriyet Mah. Aktaş Cad. No: 17/B	0370 412 77 00	KARABÜK
Teknik Bobinaj	İNONU MAH. İNEBOLU CAD. NO: 132 / KASTAMONU	0366 212 62 26	KASTAMONU
Akın Elektrik Bobinaj	AGACISLARI SAN. SİT. 29. CAD. NO:84 MELİKGAZI / KAYSERİ	0352 311 41 74	KAYSERİ
Akın Elektrik Bobinaj -MA	ESKİ SAN. BÖLGESİ 5. CAD. NO:8 / KAYSERİ	0352 336 41 23	KAYSERİ
Efe Elektrik Bobinaj	KORFEZ SAN. SİT. 12. BLOK NO: 11 / KOCAELİ	0262 335 18 94	KOCAELİ
Gülsoy Bobinaj	S. Orhan Mah. İlyas Bey Cad. 1111 Sok. No: 5/1	0262 646 92 49	KOCAELİ
Sözenler Bobinaj	FEVZİ CAKMAK MAH. KOMİSAN İS MERKEZİ ANAMUR 10562.SOK. NO:8	0332 342 63 18	KONYA
Ören Elektrik Elektronik	Öshan Sanayi Sitesi 38. Blok No : 14 Yeşilyurt	0544 979 99 91	MALATYA
Coşkun Bobinaj	MAHMUDDIYE MAH. 4810 SOK. NO: 68 / MERSİN	0324 337 31 61	MERSİN
Uysal bobinaj	ÇATALARIK MH TURGUT ÖZAL CD NO99/B FETHİYE	0538 794 81 64	MUGLA(Fethiye)
Başaran Teknik	Çarşhıbi, Bedhıbi Caddesi, 233. Sk. D:No:1, 48700 Marmaris/Mugla	0252 419 20 29	MUĞLA
Gezer Bobinaj	BAHÇELEVLER MAHZEYYAD MANDALINCI CDSAN SİT NO4-C	0252 382 41 70	MUĞLA
Uzman Bobinaj	Merkez Mahallesi Atatürk Cad. No: 22, A Yalıkkavak , MUĞLA	0252 385 55 59	MUĞLA
Öztekbir Bobinaj	YENİ SAN. SİT. 7. BLOK NO:45	0530 086 08 66	NEVŞEHİR
Üçgül Bobinaj - Ömer Üçgül	BURHAN MH. ESKİ SANAYİ 1. SK. NO:6	0534 386 40 09	NİĞDE
Çemberci Bobinaj	ENGİNDERE MAH SANAYİ SİTESİ F BLOK NO:20	0464 217 45 00	RİZE
2V Mekatronik	GUNEY MOBİLYACILAR SAN. 1288 SOK. NO:22/A ERENLER/	0264 666 18 19	SAKARYA
İr Makina	İSTIKAL MAH. FEVZİPASA CAD. NO:36 / SAKARYA	0264 279 0181	SAKARYA
Akış Bobinaj	ULUS CAD. SAN. SİT. KERESTECİLER KİSİMİ NO: 40	0362 238 07 23	SAMSUN
Mert Elektrik-Ömer Mert	DEMİRCİLER ARDI MH. CAFERBEY CD. NO:7/B -SİVAS	0542 732 39 58	SİVAS
Ay Elektrik	Samsat Kapıavşaroglu Garajı No:7	0414 215 74 76	ŞANLIURFA
Ozyl elektrik	KUÇUK SANAYİ SİTESİ FEVZİPASA MAH. HAYRİBAĞUR CAD. 6. BLOK NO:7 -62	0282 726 67 04	TEKİRDAĞ
Çetin Elektrik Bobinaj	San. Sİt. Camii Ali No: 22	0356 214 63 07	TOKAT
Makina Market	SANAYİ MAHALLESİ DOST SOKAK NO 30 ORTA HİSAR TRABZON	0462) 328 14 80	TRABZON
Özen Elektrik Bobinaj	Vali Mithatbey Mah. Koşbey Cad. Armoni İş Merkezi No:23	0432 214 22 27	VAN
Deniz El. Ser. Hizmetleri	Hürriyet Mah. Devlet Yolu Üzeri No: 54/1 Merkez - Yalova	0226 461 22 43	YALOVA

NOT 1 : Yetkili Servis listesi özel koşullar çerçevesinde güncellenmektedir. Bu sebeple en güncel halini sorgulamak için 0216 912 2313 numaralı Stanley Black & Decker Çağrı Merkezini arayabilirsiniz.








StanleyBlack&Decker

Çağrı Merkezi
0216 **912 23 13**



België/Belgique/Luxembourg www.blackanddecker.be enduser.be@sbdinc.com	Stanley Black & Decker Belgium BVBA Egide Walschaertsstraat 16 2800 Mechelen	Tel. NL Tel. FR Fax.	+32 15 47 37 65 +32 15 47 37 66 +32 15 47 37 99
Danmark	Black & Decker Roskildevej 22 2620 Albertslund	kundeservice.dk@sbdinc.com www.blackanddecker.dk	
Deutschland www.blackanddecker.de infobfge@sdbinc.com	Stanley Black & Decker Deutschland GmbH Black & Decker Str. 40, D - 65510 Idstein	Tel. Fax	06126 21-0 06126 21-2980
Ελλάδα www.blackanddecker.gr greece.service@sbdinc.com	Stanley Black & Decker (ΕΛΛΑΣ) Ε.Π.Ε ΓΡΑΦΕΙΑ: Σπύριδωνος 7 & Βουλιαγμένης 166 74 Γλυφάδα - Αθήνα	Τηλ. Φαξ	210-8981616 210-8983570
SERVICE:	Ημερος Τόπος 2 -Χάνι Αδάμ 193 00 Ασπρόπυργος - Αθήνα	Τηλ. Service Φαξ	210-8985208 210-5597598
España www.blackanddecker.es respuesta.posventa@sbdinc.com	Stanley Black & Decker Ibérica, S.C.A. Parc de Negocis "Mas Blau" Edificio Muntadas, c/Bergadá, 1, Of. A6 08820 El Prat de Llobregat (Barcelona)	Tel. Fax	934 797 400 934 797 419
France www.blackanddecker.fr	Black & Decker (France) S.A.S. 5 allée des Hêtres B.P. 30084 69579 Limonest Cédex	Tel. Fax	04 72 20 39 20 04 72 20 39 00
Helvetia www.blackanddecker.ch service@rofoag.ch	ROFO AG Gewerbezone Seeblick 3213 Kleinbösingen	Tel. Fax	026-6749393 026-6749394
Italia www.blackanddecker.it service.italia@sbdinc.com	Stanley Black & Decker Italia Via Energypark 6 20871 Vimercate (MB)	Tel. Fax Numero verde	039-9590200 039-9590313 800-213935
Nederland www.blackanddecker.nl enduser.nl@sbdinc.com	Stanley Black & Decker Netherlands BV Holtum Noordweg 35, 6121 RE BORN Postbus 83, 6120 AB BORN	Tel. Fax	+31 164 283 065 +31 164 283 200
Norge	Black & Decker Postboks 4613, Nydalen 0405 Oslo	kundeservice.no@sbdinc.com www.blackanddecker.no	
Österreich www.blackanddecker.at service.austria@sbdinc.com	Stanley Black & Decker Austria GmbH Oberlaaerstraße 248, A-1230 Wien	Tel. Fax	01 66116-0 01 66116-614
Portugal www.blackanddecker.pt resposta.posvenda@sbdinc.com	Black & Decker Limited SARL Quinta da Fonte - Edifício Q55 D. Diniz Rua dos Malhães, 2 e 2A - Piso 2 Esquerdo 2770 - 071 Paço de Arcos	Tel. Fax	214667500 214667580
Suomi	Black & Decker PL47 00521, Helsinki	asiakaspalvelu.fi@sbdinc.com www.blackanddecker.fi	
Sverige	Black & Decker AB Box 94, 431 22 Mölndal	kundservice.se@sbdinc.com www.blackanddecker.se	
Türkiye www.blackanddecker.com.tr	STANLEY BLACK & DECKER TURKEY ALET ÜRETİM SAN TİC. LTD. ŞTİ. AND Kozyatağı – İçerenköy Mah. Umut Sok. AND Ofis. Sit. No: 10-12/82-83-84 Ataşehir/İstanbul	Tel. Fax.	+90 216 665 29 00 +90 216 665 29 01 info-tr@sbdinc.com
United Kingdom & Republic Of Ireland www.blackanddecker.co.uk emeaservice@sbdinc.com	Black & Decker 270 Bath Road Slough, Berkshire SL1 4DX	Tel. Fax	01753 511234 01753 512365
Middle East & Africa www.blackanddecker.ae service.mea@sbdinc.com	Black & Decker P.O.Box - 17164 Jebel Ali Free Zone (South), Dubai, UAE	Tel. Fax	+971 4 8863030 +971 4 8863333