

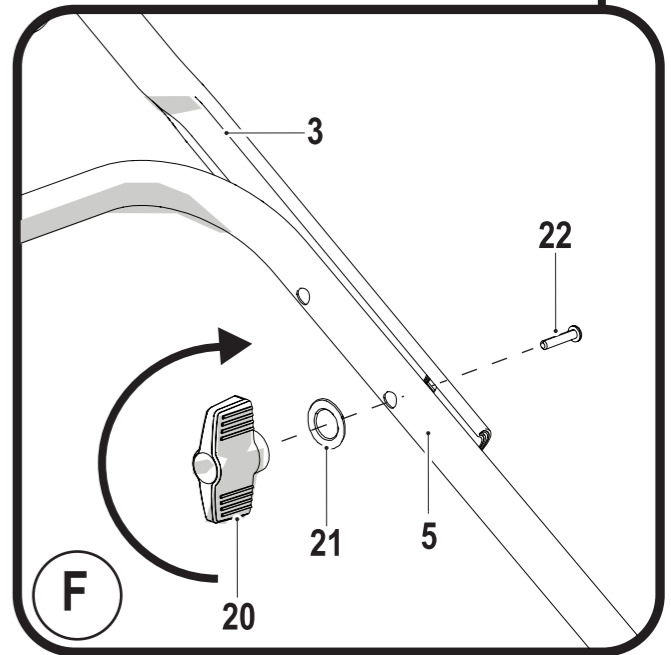
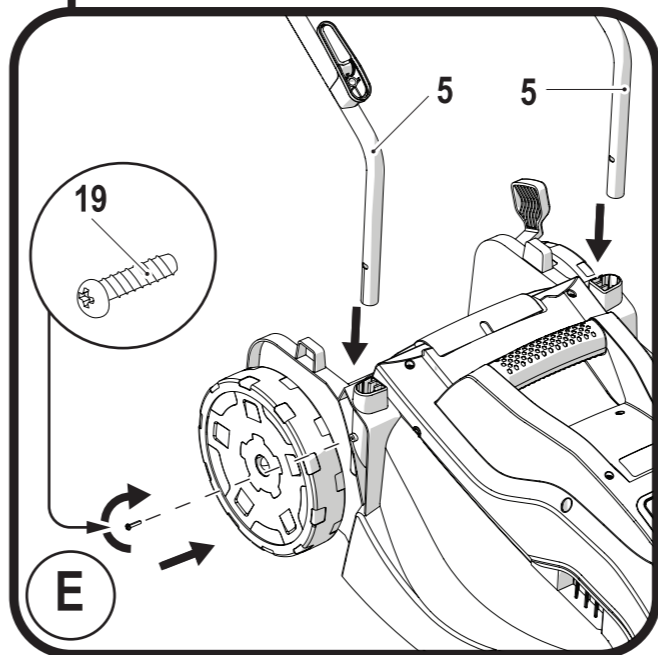
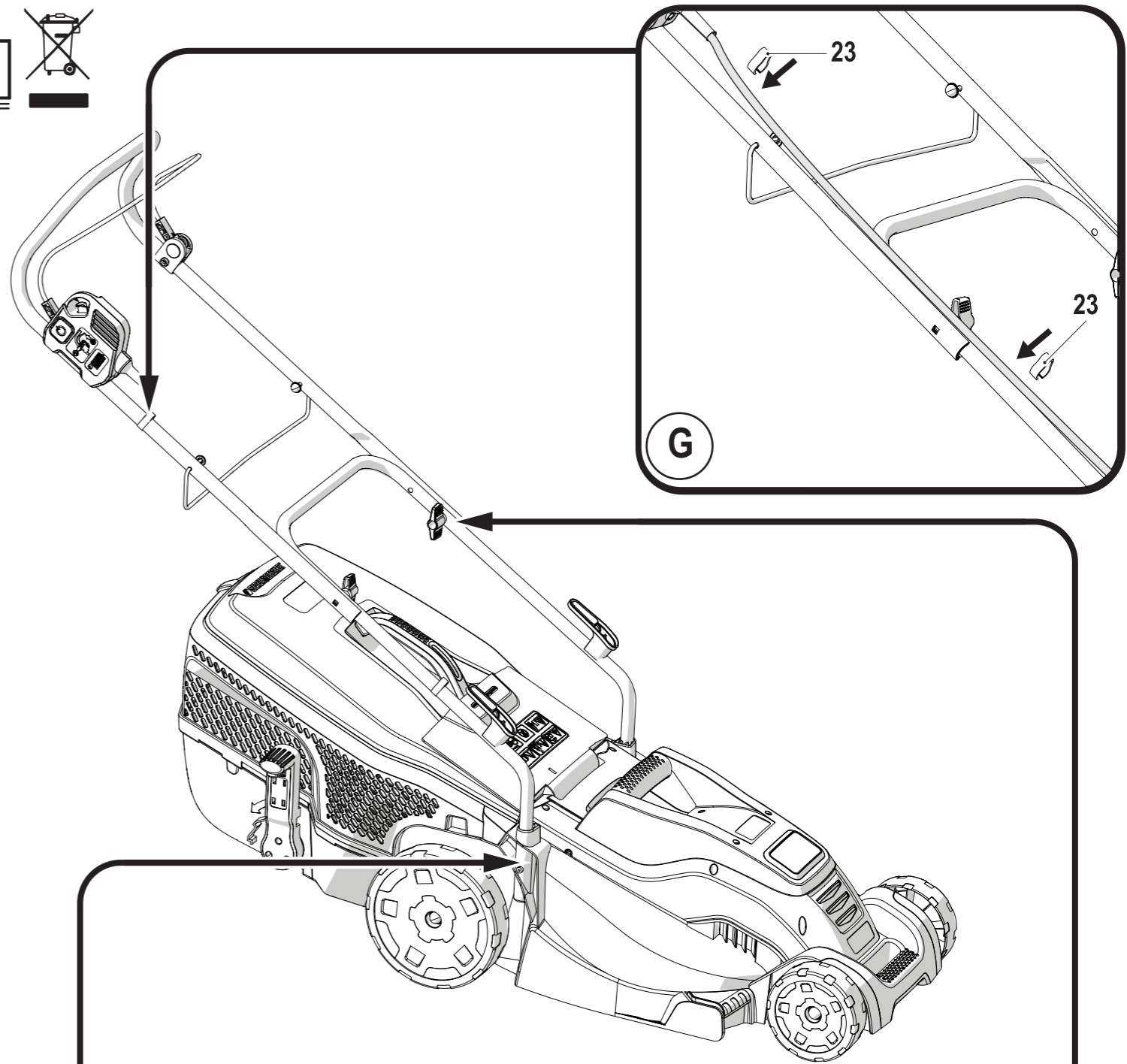
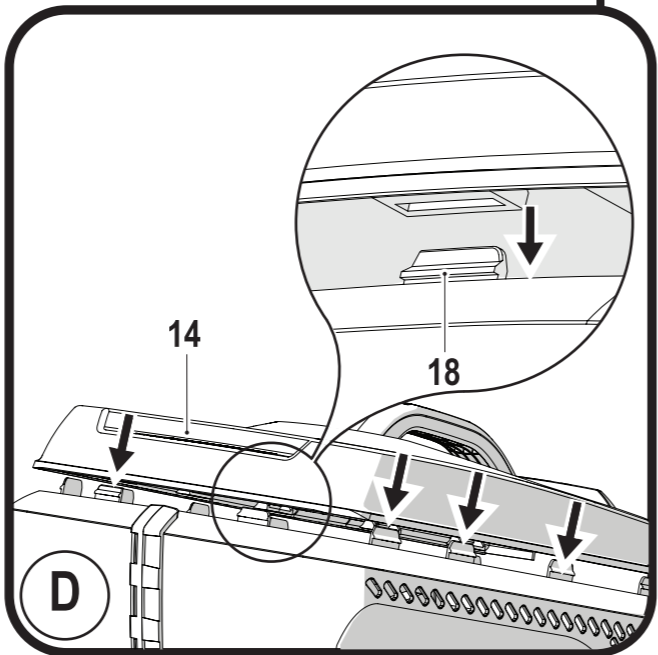
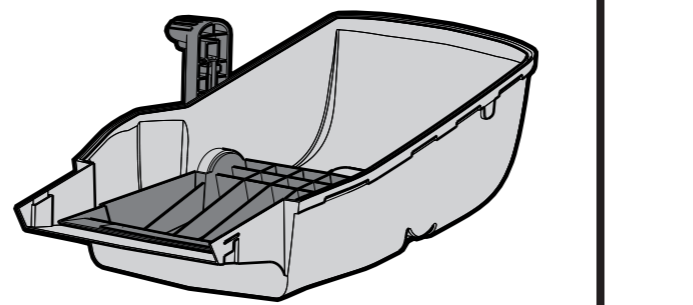
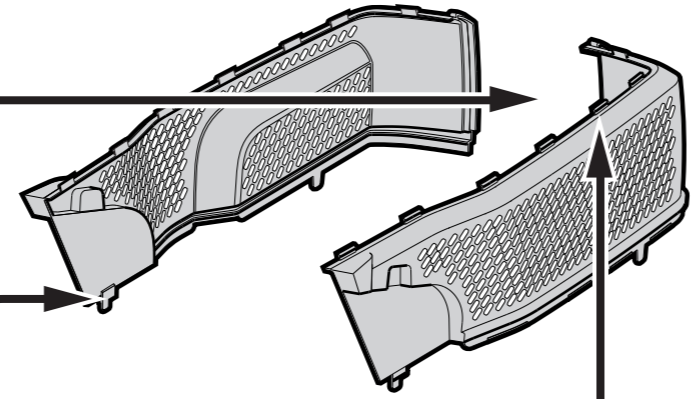
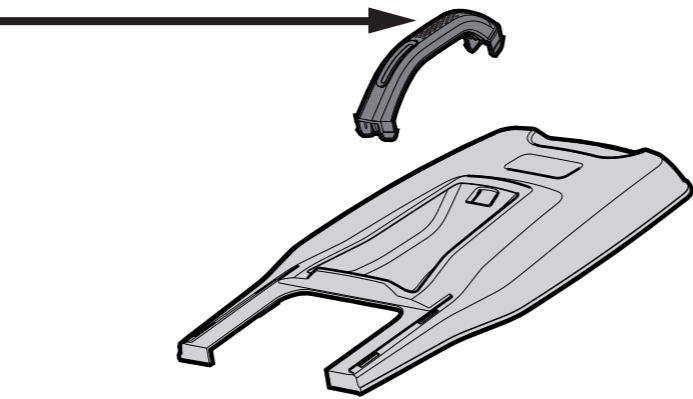
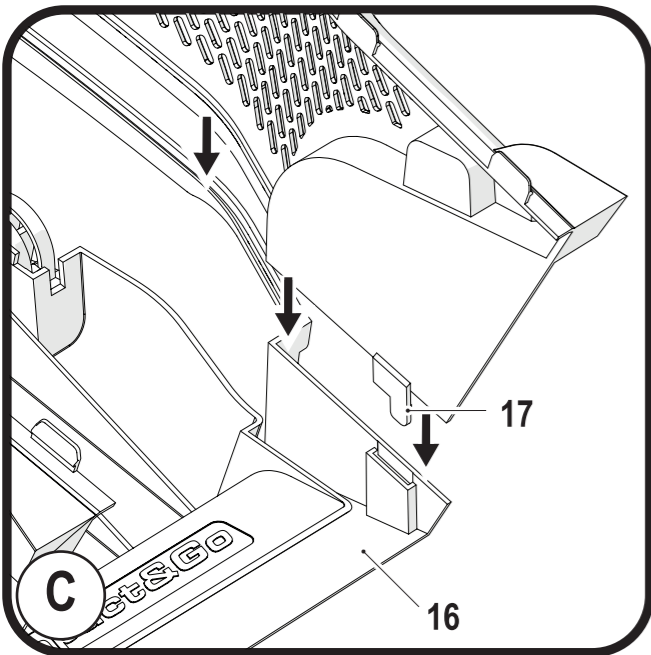
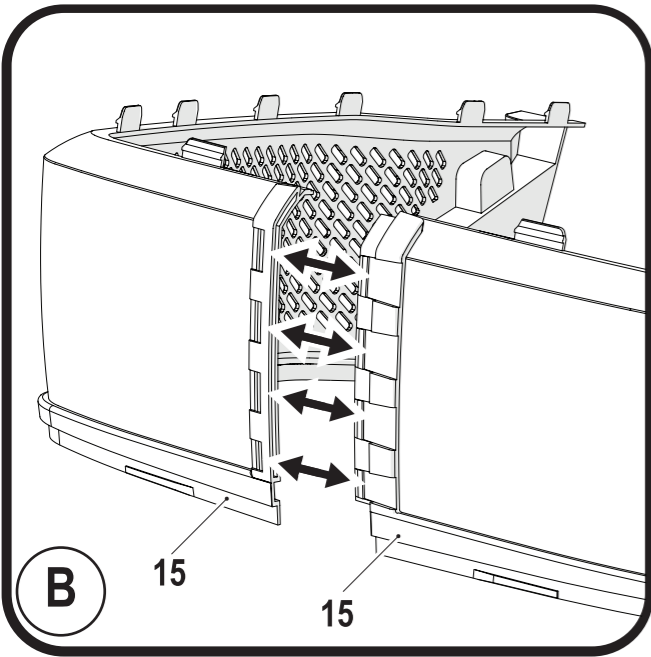
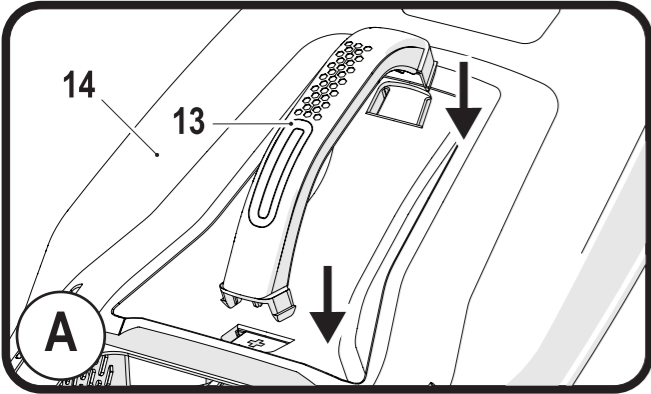
 **BLACK & DECKER®**

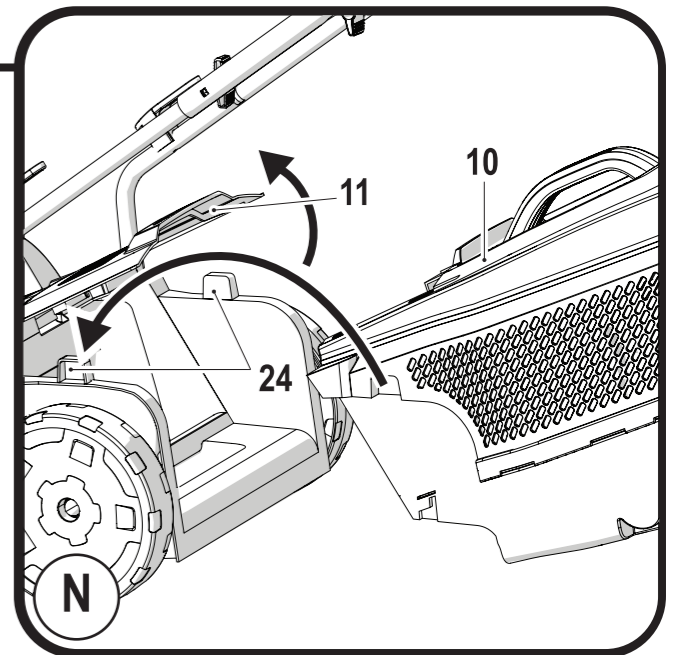
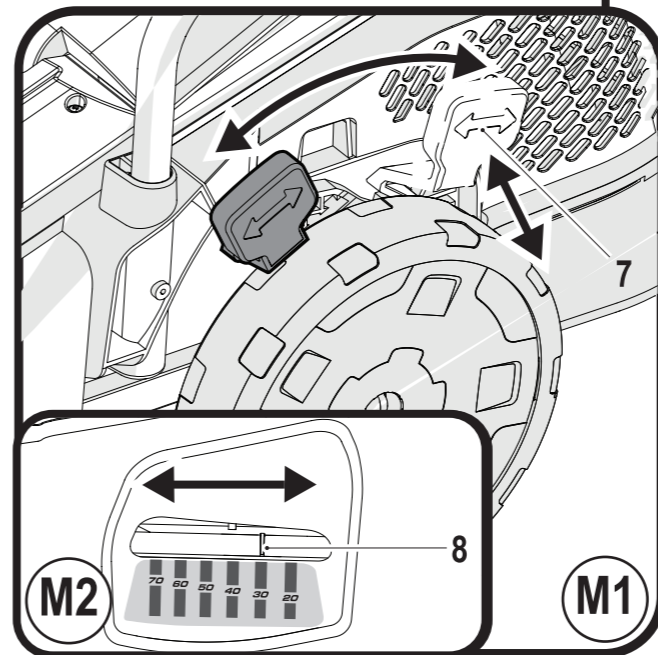
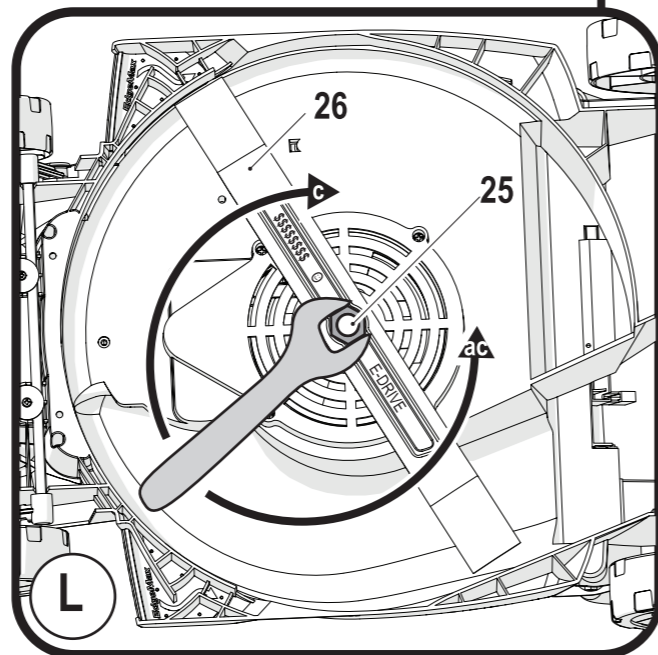
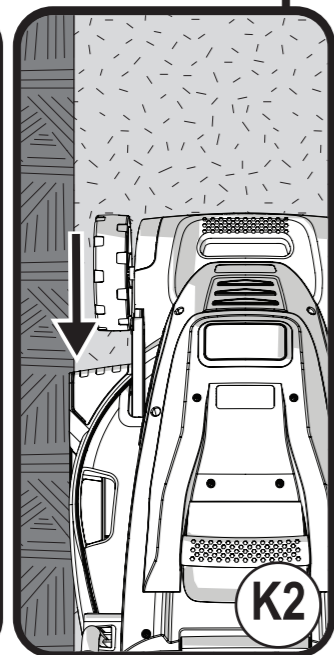
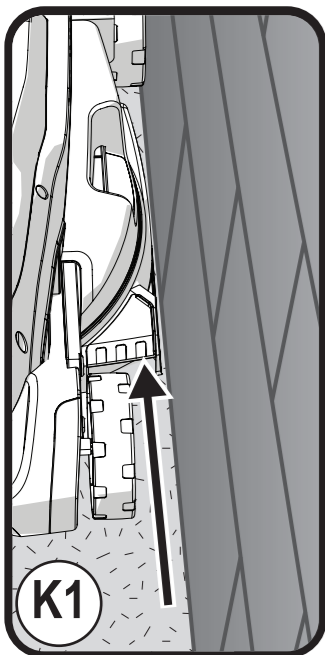
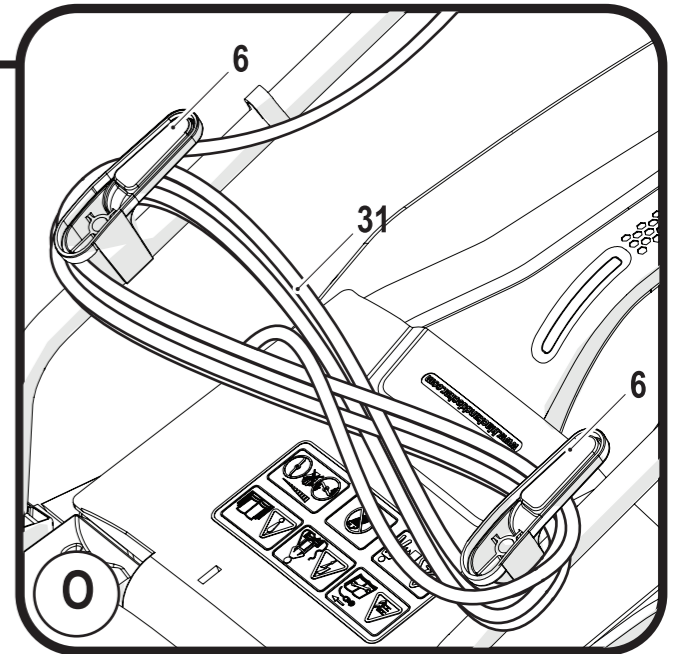
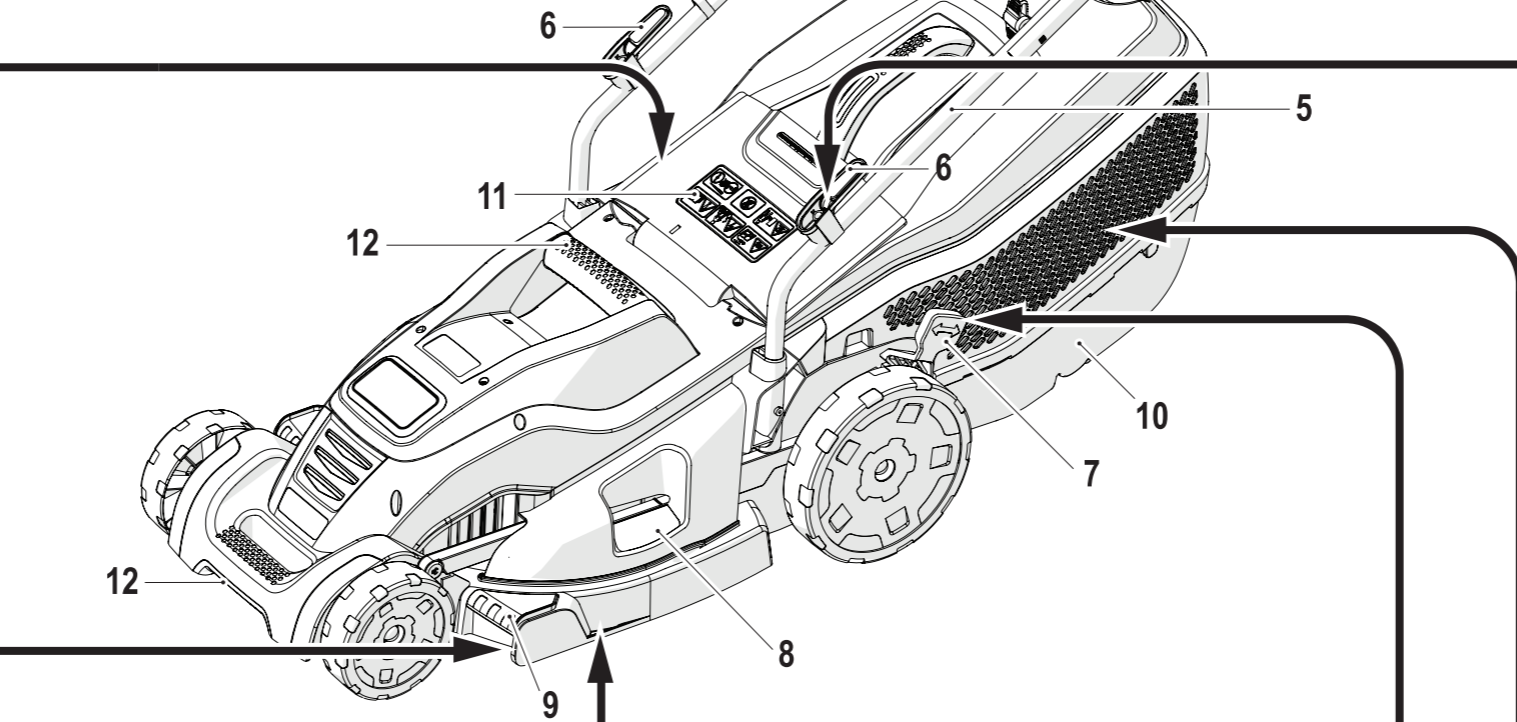
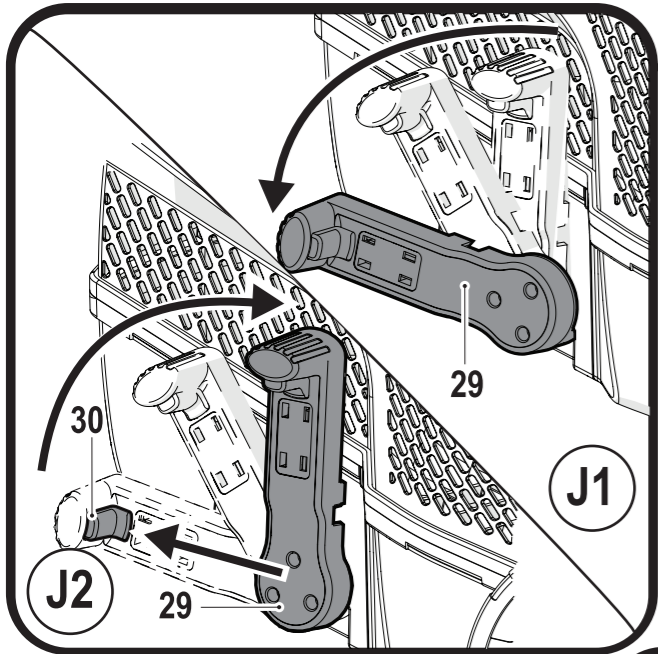
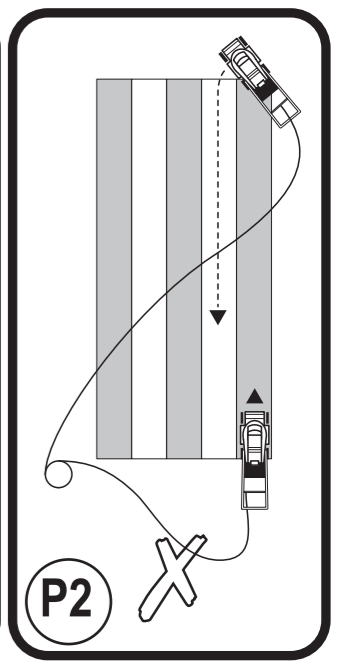
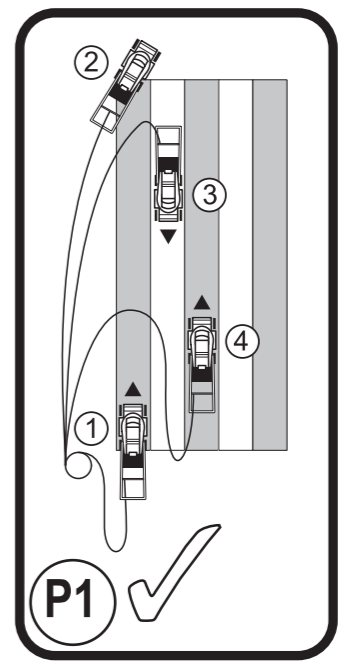
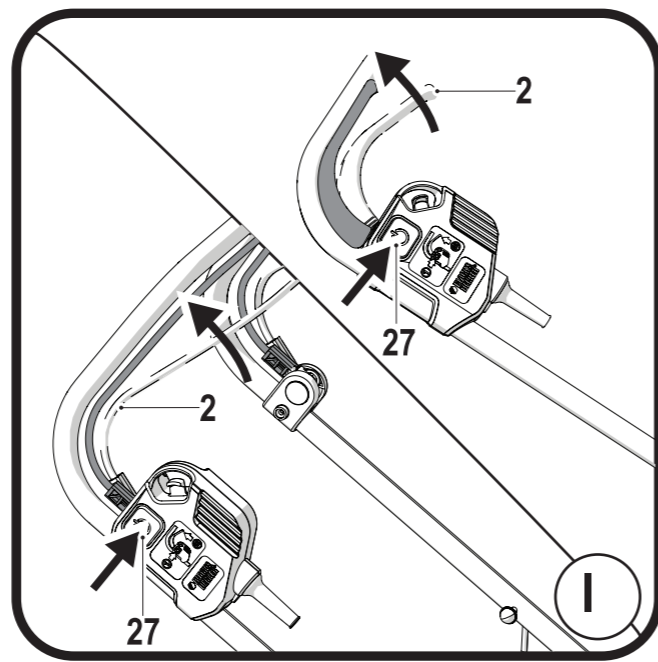
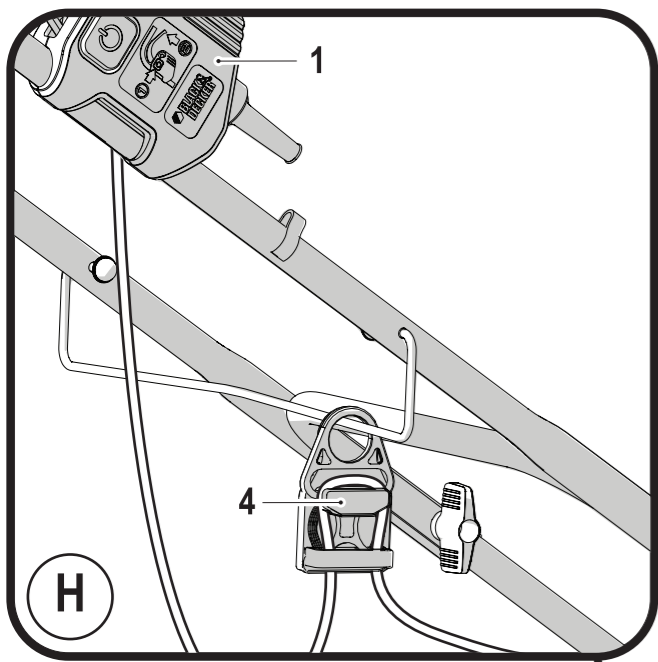
EM

EMax34i
EMax34s
EMax38i
EMax42i



www.blackanddecker.co.uk





Intended use

Your Black & Decker mower has been designed for mowing grass. This tool is intended for consumer use only.



Warning! Read all of the 'Safety, Maintenance, Service' manual carefully before operating this appliance.

Read all of this manual carefully before operating the appliance.

Features

This appliance includes some or all of the following features.

1. Switch box
2. On/off switch
3. Upper handle
4. Intelligent cable management
5. Lower handle
6. Cable storage holders
7. Height adjustment
8. Height of cut gauge
9. EdgeMax
10. Grass collection box
11. Clear grass flap
12. Carry handles

Assembly

Warning! Before assembly, make sure that the appliance is switched off and unplugged.

Assembling the grass collection box (fig. A - D)

The grass box requires assembly before use and comes in 5 pieces.

- ◆ Clip the handle (18) into the lid (19) of the grass box (fig. A). The handle will only fit one way round.
- ◆ Clip the 2 sides (20) of the grass collection box together. Make sure that all clips and guides are aligned (fig. B).
- ◆ Align the assembled sides onto the bottom (21) of the grass collection box. Ensure that the 4 guides (22) are aligned (fig. C)
- ◆ Push the 2 parts together. Apply even force around all edges of the grass collection box securing the clips into position uniformly. Check that each clip is fastened together securely.
- ◆ Align the lid (19) onto the assembled grass collection box. Ensure that the 10 guides (23) are aligned (fig. D)

Note: Take extra care when aligning the 2 clips at the rear of the grass collection box.

- ◆ Push down on the lid to secure all clips. Begin at the back and ensure that all clips are securely located.

Fitting the lower handle (fig. E)

- ◆ Insert the ends of the lower handle (5) into the corresponding holes in the mower.
- ◆ Press the handle down as far as it will go.
- ◆ Secure the handle using the screws (13).

Assembling the upper handle (fig. F)

- ◆ Fit the upper handle part (3) to the lower handle (5) using the knobs (14), washers (15) and screws (16) as shown.

Note: The upper handle can be fixed in 2 different height positions.

Securing the motor cable (fig. G)

The motor cable has to be fixed using the cable restraints.

- ◆ Clip the cable to the upper and lower handle using the restraint clips (17) as shown.

Fitting the grass collection box (fig. N)

- ◆ Lift the clear grass flap (11) and place the grass collection box (10) over the lugs (24).

Replacing the blade (fig. L)

Warning! Ensure the blade has completely stopped and disconnect the appliance from the mains.

Warning! Only use the specified replacement blade.

Warning! Use heavy-duty gloves to grip the blade.

To remove the blade:

- ◆ Turn the appliance onto its side.
- ◆ Using heavy-duty gloves, grip the blade.
- ◆ Use a 13mm spanner to loosen and remove the blade bolt (25) by turning the spanner anti-clockwise (ac).
- ◆ Remove the blade (26) and blade bolt (25).

To replace the blade:

- ◆ Offer the blade up to bolt shaft and locate the blade bolt (25) into the bolt shaft.

Note: When fitting a blade, the text on the blade must be facing the user.

- ◆ Tighten the blade bolt (25) as firmly as possible by hand.
- ◆ Using heavy-duty gloves, grip the blade.
- ◆ Use a 13mm spanner to securely tighten the blade bolt (25) by turning the spanner clockwise (c).

Use

Warning! Let the appliance work at its own pace. Do not overload.

Adjusting the height of cut (fig. M1 & M2)

The height of cut is adjusted by the central height adjust mechanism, there are 6 positions to choose from.

To set the height of cut

- ◆ Pull the height adjustment lever (7) away from the body of the unit.

- ◆ Move the lever towards the rear of the appliance to lower the height of cut.
- ◆ Move the lever towards the front of the appliance to raise the height of cut.
- ◆ Push the height adjustment lever (7) into one of the 6 height locations.

Note: The height of cut can be viewed on the height of cut gauge (8) on the side of the unit.

Switching on and off (fig. I)

Switching on

- ◆ Push in and hold the lock-off button (27).
- ◆ Pull the on/off switch (2) towards the handle.
- ◆ Release the lock-off button.

Switching off

- ◆ Release the on/off switch (2).

Warning: Never attempt to lock a switch in the on position.

Mowing (fig. P1 & P2) (EMax38i & EMax42i only)

We recommend to use your mower as outlined in this section in order to achieve optimum results and to reduce the risk of cutting the mains cable.

- ◆ Loop the mains cable through the intelligent cable management system (4) as shown (fig. H) ensure that you leave approximately 100 cm of cable between the switch-box (1) and the intelligent cable management restraint (4).
- ◆ Ensure that the cable restraint can slide freely from one handle to the other.
- ◆ Place the bulk of the mains cable on the lawn, close to the starting point (position 1 in fig. P1).
- ◆ Switch the appliance on as described above.
- ◆ Proceed as shown in fig. P1
- ◆ Move from position 1 to position 2.
- ◆ Turn right, stepping over the cable and proceed towards position 3. The cable restraint will slide from one side of the handle to the other ensuring that the cable is laid out away from the cutting blade.
- ◆ Turn left, stepping over the cable and move towards position 4. The cable restraint will slide from one side of the handle to the other ensuring that the cable is laid out away from the cutting blade.
- ◆ Repeat the above procedure as required.

Warning: Do not work towards the cable as shown in fig. P2.

Mowing (fig. P1 & P2) (EMax34s & EMax34i only)

We recommend to use your mower as outlined in this section in order to achieve optimum results and to reduce the risk of cutting the mains cable.

- ◆ Place the bulk of the mains cable on the lawn, close to the starting point (position 1 in fig. P1).

- ◆ Switch the appliance on as described above.
- ◆ Proceed as shown in fig. P1
- ◆ Move from position 1 to position 2.
- ◆ Turn right and proceed towards position 3.
- ◆ Turn left and move towards position 4.
- ◆ Repeat the above procedure as required.

Warning: Do not work towards the cable as shown in fig. P2.

EdgeMax (fig. K1 & K2)

EdgeMax allows you to cut grass right up to the edge of a wall or fence (fig K1).

EdgeMax allows you to accurately cut grass right up to the edge of your lawn (fig K2).

- ◆ With the lawnmower parallel with the edge of your lawn.
- ◆ Push the lawnmower along the edge of the lawn. Ensure that the EdgeMax (9) is slightly over the edge of your lawn (fig.K2)

Note: The roller underneath the appliance provides stability when mowing over the edge of your lawn.

Compact&Go (fig. J) (EMax34i, EMax38i & EMax42i only)

When the grass collection box is full you can compact the grass in the collection box. You can determine how full the grass collection box is by looking through the clear grass flap (11).

- ◆ Release the on/off switch (2).
- ◆ Using your right foot, press the grass compaction lever (29) all the way down until it locks into place.

Note: The grass in the collection box is now compressed into the rear of the box. You may continue mowing until the grass collection box becomes full.

Emptying the grass collection box (fig. J) (EMax34i, EMax38i & EMax42i only)

- ◆ Release the on/off switch (2).
- ◆ Remove the grass collection box (10).
- ◆ Empty the contents from the front of the box.
- ◆ Place the grass collection box on the ground and pull in and hold the grass compaction lever release button (30).
- ◆ Lift the grass compaction lever (29) into the vertical position and release the grass compaction lever release button (30).
- ◆ Empty the contents from the rear of the box.

Emptying the grass collection box (EMax34s only)

When the grass collection box is full you should empty the grass in the collection box.

- ◆ Release the on/off switch (2).
- ◆ Remove the grass collection box (10).
- ◆ Empty the contents from the box.

Cable storage (fig. O)

The cable holders (6) provide a safe and convenient way to store the cable (31) when not in use.

- ◆ Wrap the cable around the cable holders (6) in a figure of eight pattern.

Carrying the mower

Warning! Ensure the blade has completely stopped and disconnect the appliance from the mains.

- ◆ The mower can be carried using the convenient carry handles (12).

Hints for optimum use

- ◆ If the grass is longer than approximately 10 cm, make two cuts to obtain a better finish. First mow at maximum height of cut, then use a low or medium height of cut.
- ◆ In order to achieve optimum results, only mow dry grass.

Troubleshooting

If your appliance seems not to operate properly, follow the instructions below. If this does not solve the problem, please contact your local Black & Decker repair agent.

Warning! Before proceeding, remove the plug from the socket.

Problem	Possible Cause	Possible solution
Machine fails to operate	Power turned off	Turn power on
	Fuse faulty/blown	Replace fuse
	Grass too long	Increase the height of cut and move machine to shorter grass to start
	Thermal cut out activated	Allow motor to cool and increase height of cut
Machine functions intermittently	Thermal cut out activated	Allow motor to cool and increase height of cut
Machine leaves ragged finish or motor labours	Height of cut too low	Increase height of cut
	Cutting blade blunt	Replace the blade
	Underside of machine clogged	Check underneath the machine and clear out as necessary (always wear heavy duty gloves)
	Blade fitted upside down	Refit blade correctly

Technical data

		EMax34s EMax34i Type 1	EMax38i Type 1	EMax42i Type 1
Voltage	V _{AC}	230	230	230
Power Input	W	1400	1600	1800
No-Load Speed	min ⁻¹	3500	3500	3500
Height adjustment	mm	200-700	200-700	200-700
Blade length	mm	340	380	420
Weight	kg	11	12	12.6

Hand/arm weighted vibration value according to EN 60335:
= 3.2 m/s² , uncertainty (K) = 1.5 m/s².

EC declaration of conformityMACHINERY DIRECTIVE
OUTDOOR NOISE DIRECTIVE

EMax34s / EMax34i / EMax38i / EMax42i

Black & Decker declares that these products described under
"technical data" are in compliance with:
2006/42/EC, EN 60335-1, EN 60335-2-77

2000/14/EC, Lawn Mower, L < 50cm, Annex VI,
KEMA Quality B.V., Utrechtseweg 310, ED Arnhem
Netherlands
Notified Body ID No.: 0344

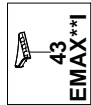
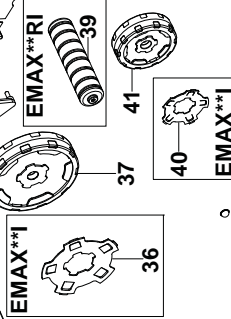
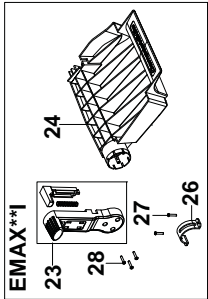
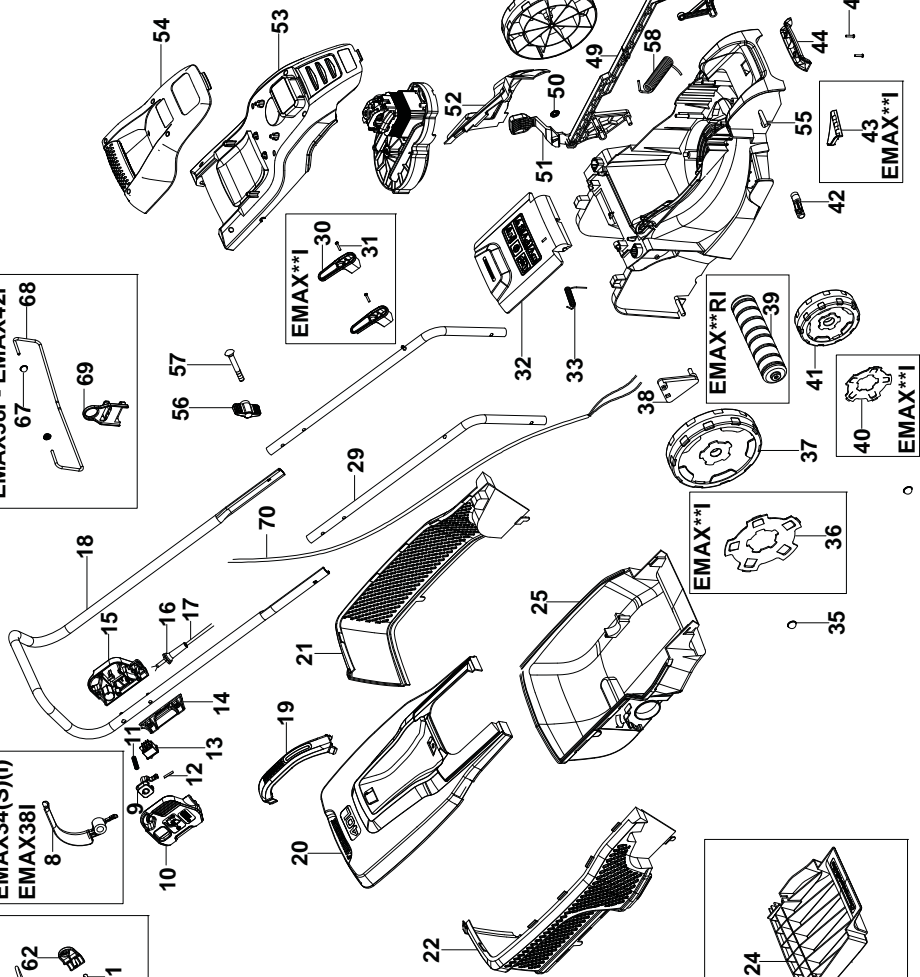
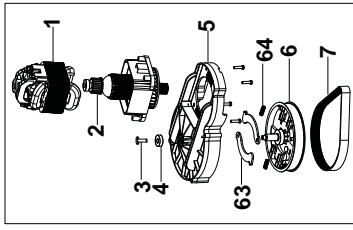
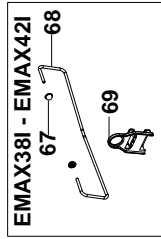
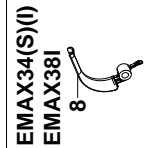
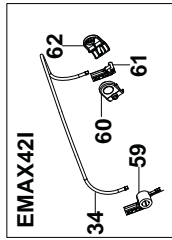
Level of sound power according to 2000/14/EC
(Article 12, Annex III, L ≤ 50 cm):
 L_{WA} (measured sound power) 93 dB(A)
uncertainty (K) = 3 dB(A)
 L_{WA} (guaranteed sound power) 96 dB(A)
uncertainty (K) = 3 dB(A)

These products also comply with directive 2004/108/EC.
For more information, please contact Black & Decker at the
following address or refer to the back of the manual.
The undersigned is responsible for compilation of the technical
file and makes this declaration on behalf of Black & Decker.

Kevin Hewitt
Vice-President Global Engineering
Black & Decker Europe, 210 Bath Road, Slough,
Berkshire, SL1 3YD
United Kingdom
18/10/2011

EMAX34(S)(I) - EMAX38I - EMAX42(R)

TYP.
1



ENGLISH

Do not forget to register your product!

www.blackanddecker.co.uk/productregistration

Register your product online at **www.blackanddecker.co.uk/productregistration** or send your name, surname and product code to Black & Decker in your country.

Australia

Black & Decker (Australia) Pty. Ltd.
20 Fletcher Road, Mooroolbark,
Victoria, 3138

Tel. 03-8720 5100
Fax 03-9727 5940

New Zealand

Black & Decker
5 Te Apunga Place
Mt Wellington
Auckland 1060

Tel. +64 9 259 1133
Fax +64 9 259 1122

United Kingdom

Black & Decker
210 Bath Road
Slough, Berkshire SL1 3YD

Tel. 01753 511234
Fax 01753 551155



Safety, Maintenance, Service

Intended use

Your Black & Decker mower has been designed for mowing grass. This tool is intended for consumer use only.

Safety instructions

Warning! When using mains-powered appliances, basic safety precautions, including the following, should always be followed to reduce the risk of fire, electric shock and personal injury.

- ◆ Read all of this manual carefully before operating the appliance.
- ◆ Before operating the appliance, make sure that you know how to switch it off in an emergency.
- ◆ Retain this manual for future reference.

Training

- ◆ Read the instructions carefully. Be familiar with the controls and the proper use of the appliance.
- ◆ Never allow children or people unfamiliar with these instructions to use the machine. Local regulations can restrict the age of the operator.
- ◆ Never operate the machine while people, especially children, or pets are nearby.
- ◆ Keep in mind that the operator or user is responsible for accidents or hazards occurring to other people or their property.

Preparation

- ◆ While operating the machine always wear substantial footwear and long trousers. Do not operate the machine when barefoot or wearing open sandals. Avoid wearing clothing that is loose fitting or that has hanging cords or ties.
- ◆ Thoroughly inspect the area where the machine is to be used and remove all objects which can be thrown by the machine.
- ◆ Before using, always visually inspect to see that the blade, blade bolt and the blade assembly are not worn or damaged. Replace worn or damaged components in sets to preserve balance. Replace damaged or unreadable labels.
- ◆ Before use check the supply and extension cord for signs of damage or aging. If the cord becomes damaged during use, disconnect the cord from the supply immediately. DO NOT TOUCH THE CORD BEFORE DISCONNECTING THE SUPPLY. Do not use the machine if the cord is damaged or worn.
- ◆ Wear safety glasses or goggles when operating this tool. Use a face or dust mask whenever the operations take place in dusty surroundings. Hearing protection should be worn whenever the sound level seems uncomfortable.
- ◆ Guard against electric shock. Prevent body contact with earthed or grounded surfaces (e.g. metal railings, lamp-posts, etc.).

Operation

- ◆ Never operate the appliance with defective guards or shields, or without safety devices, for example deflectors and/or grass catchers, in place.
- ◆ Only use the appliance in daylight or good artificial light.
- ◆ Do not expose the appliance to rain. Do not use the appliance in damp or wet conditions. Preferably do not use the appliance in wet grass.
- ◆ Be sure of your footing, particularly on slopes. Be aware that freshly cut grass is damp and slippery. Do not work on steep slopes.
- ◆ Work across the face of slopes, never up and down. Take extreme caution when changing direction on slopes.
- ◆ Do not mow excessively steep slopes.
- ◆ Walk, never run when using the appliance. Do not pull the appliance towards you or walk backwards when using the appliance.
- ◆ Switch on the appliance according to instructions and with your feet well away from the blade.
- ◆ Do not start the machine when standing in front of the discharge opening.
- ◆ Do not tilt appliance when switching it on, except if the appliance has to be tilted for starting. In that case, do not tilt the appliance more than absolutely necessary and lift only the part that is away from the operator. Always ensure that both hands are in the operating position before returning the appliance to the ground.
- ◆ Switch off the appliance and wait for the blade assembly to stop running if the appliance has to be tilted for transportation when crossing surfaces other than grass, and when transporting the appliance to and from the area to be mowed.
- ◆ Do not lift or carry the appliance until the blade has come to a complete standstill.
- ◆ Keep your hands and feet well away from the blade. Do not put your hands or feet near or under rotating parts.
- ◆ Keep away from discharge openings at all times.
- ◆ Switch off, remove the plug from the socket and ensure that moving parts have stopped rotating before leaving the appliance unattended and before changing, cleaning or inspecting any parts of the appliance or clearing a blockage. After striking a foreign object. Inspect the machine for damage and make repairs before restarting and operating the machine;
- ◆ If the appliance starts to vibrate abnormally or if you hit a foreign object, switch the appliance off and remove the plug from the socket. Check for any damage to the appliance, replace or repair any damaged parts, check for and tighten any loose parts.
- ◆ Take care to keep the mains cable away from the blade. Always be aware of the position of the cable.

- ◆ The motor will continue to run for a few seconds after switching the appliance off. Never attempt to force the blade to come to a standstill.

Maintenance and storage

- ◆ Before use, check the appliance for damaged or defective parts. Check for misalignment and seizure of moving parts, breakage of parts, damage to guards and switches and any other conditions that may affect its operation. Ensure that the appliance will operate properly and perform its intended function. Never use the appliance when any guard or enclosure is damaged or not in place. Do not use the appliance if any part is damaged or defective. Do not use the appliance if the switch does not turn it on and off. Have any damaged or defective parts repaired or replaced by an authorised repair agent.
- ◆ Check the cable frequently for damage. If the cable is damaged, it must be replaced by an authorised repair agent in order to prevent a hazard. Inspect extension cables periodically. Replace a damaged extension cable immediately.
- ◆ Keep all nuts, bolts and screws on the appliance tight to ensure a safe working condition.
- ◆ Check the grass collector for wear or damage and replace it if necessary. Never use the appliance without the grass collector.
- ◆ Be careful during adjustment of the machine to prevent entrapment of the fingers between moving blades and fixed parts of the machine.
- ◆ When servicing the blades be aware that, even though the power source is switched off, the blades can still be moved.
- ◆ When not in use, the appliance should be stored in a dry place. Children should not have access to stored appliances.
- ◆ Always allow the machine to cool down before storing.
- ◆ Ensure that only replacement cutting means of the right type are used.
- ◆ Use only Black & Decker recommended spare parts and accessories.

Additional safety instructions for Lawnmowers

- ◆ This appliance is not intended for use by persons (including children) with reduced physical, sensory or mental capabilities, or lack of experience and knowledge, unless they have been given supervision or instruction concerning use of the appliance by a person responsible for their safety.
- ◆ Children should be supervised to ensure that they do not play with the appliance.
- ◆ If the supply cord is damaged, it must be replaced by the manufacturer or an authorised Black & Decker Service Centre in order to avoid a hazard.

Residual risks.

Additional residual risks may arise when using the tool which may not be included in the enclosed safety warnings. These risks can arise from misuse, prolonged use etc.

Even with the application of the relevant safety regulations and the implementation of safety devices, certain residual risks can not be avoided. These include:

- ◆ Injuries caused by touching any moving parts.
- ◆ Injuries caused by touching any hot parts.
- ◆ Injuries caused when changing any parts or accessories.
- ◆ Injuries caused by prolonged use of the appliance. When using any appliance for prolonged periods ensure you take regular breaks.

Safety of others

- ◆ This appliance is not intended for use by persons (including children) with reduced physical, sensory or mental capabilities, or lack of experience and knowledge, unless they have been given supervision or instruction concerning use of the appliance by a person responsible for their safety.
- ◆ Children should be supervised to ensure that they do not play with the appliance.

Warning symbols

The following warning symbols are found on the appliance:



Warning! Read the manual prior to operation.



Do not expose the appliance to rain or high humidity.



Always remove the plug from the socket before inspecting a damaged cable. Be careful not to use your appliance if the cable is damaged.



Beware of flying objects. Keep bystanders away from the cutting area.



Beware of sharp blades.



Keep the cable away from the cutting blades..



The blades will continue to rotate after the machine is switched off.



Directive 2000/14/EC guaranteed sound power.

Electrical safety



Warning! This tool is double insulated; therefore no earth wire is required. Always check that the power supply corresponds to the voltage on the rating plate.

- ◆ If the supply cord is damaged, it must be replaced by the manufacturer or an authorised Black & Decker Service Centre in order to avoid a hazard.
- ◆ Electric safety can be further improved by using a high sensitivity 30 mA Residual Current Device (RCD).

Using an extension cable

- ◆ Always use an approved extension cable suitable for the power input of this tool (see technical data). The extension cable must be suitable for outdoor use and marked accordingly. Up to 30 m of 1.5 mm² HO5VV-F extension cable can be used without loss of product performance. Before use, inspect the extension cable for signs of damage, wear and ageing. Replace the extension cable if damaged or defective. When using a cable reel, always unwind the cable completely.

Maintenance

Your Black & Decker appliance has been designed to operate over a long period of time with a minimum of maintenance. Continuous satisfactory operation depends upon proper appliance care and regular cleaning.

Warning! Before performing any maintenance on your appliance, switch off and unplug the appliance.

- ◆ Keep the appliance clean and dry.
- ◆ Regularly clean the ventilation slots with a clean, dry paint brush.
- ◆ Regularly use a blunt scraper to remove grass and dirt from the underneath of the guard.
- ◆ To clean the appliance, use only mild soap and a damp cloth. Never let any liquid get inside the tool and never immerse any part of the tool into liquid. Do not use any abrasive or solvent-based cleaner.

Blade maintenance

- ◆ Regularly remove grass and dirt from the blade.
- ◆ At the beginning of the gardening season, carefully examine the condition of the blade.
- ◆ If the blade is very blunt, sharpen or replace the blade.
- ◆ If the blade is damaged or worn, fit a new blade.

Protecting the environment



Warning! Separate collection. This product must not be disposed of with normal household waste.

Should you find one day that your Black & Decker product needs replacement, or if it is of no further use to you, do not dispose of it with household waste. Make this product available for separate collection.



Warning! Separate collection of used products and packaging allows materials to be recycled and used again. Re-use of recycled materials helps prevent environmental pollution and reduces the demand for raw materials.

Local regulations may provide for separate collection of electrical products from the household, at municipal waste sites or by the retailer when you purchase a new product.

Black & Decker provides a facility for the collection and recycling of Black & Decker products once they have reached the end of their working life. To take advantage of this service please return your product to any authorised repair agent who will collect them on our behalf.

You can check the location of your nearest authorised repair agent by contacting your local Black & Decker office at the address indicated in this manual. Alternatively, a list of authorised Black & Decker repair agents and full details of our after-sales service and contacts are available on the Internet at: www.2helpU.com

Mains plug replacement (U.K. & Ireland only)

If a new mains plug needs to be fitted:

- ◆ Safely dispose of the old plug.
- ◆ Connect the brown lead to the live terminal in the new plug.
- ◆ Connect the blue lead to the neutral terminal.

Warning! No connection is to be made to the earth terminal. Follow the fitting instructions supplied with good quality plugs. Recommended fuse: 5 A.

Guarantee

Black & Decker is confident of the quality of its products and offers an outstanding guarantee. This guarantee statement is in addition to and in no way prejudices your statutory rights. The guarantee is valid within the territories of the Member States of the European Union and the European Free Trade Area.

If a Black & Decker product becomes defective due to faulty materials, workmanship or lack of conformity, within 24 months from the date of purchase, Black & Decker guarantees to replace defective parts, repair products subjected to fair wear and tear or replace such products to ensure minimum inconvenience to the customer unless:

- ◆ The product has been used for trade, professional or hire purposes;
- ◆ The product has been subjected to misuse or neglect;
- ◆ The product has sustained damage through foreign objects, substances or accidents;
- ◆ Repairs have been attempted by persons other than authorised repair agents or Black & Decker service staff.

To claim on the guarantee, you will need to submit proof of purchase to the seller or an authorised repair agent. You can check the location of your nearest authorised repair agent by contacting your local Black & Decker office at the address indicated in this manual. Alternatively, a list of authorised Black & Decker repair agents and full details of our after-sales service and contacts are available on the Internet at: www.2helpU.com

Please visit our website www.blackanddecker.co.uk to register your new Black & Decker product and to be kept up to date on new products and special offers. Further information on the Black & Decker brand and our range of products is available at www.blackanddecker.co.uk

ENGLISH

Do not forget to register your product!

www.blackanddecker.co.uk/productregistration

Register your product online at **www.blackanddecker.co.uk/productregistration** or send your name, surname and product code to Black & Decker in your country.

Australia

Black & Decker (Australia) Pty. Ltd.
20 Fletcher Road, Mooroolbark,
Victoria, 3138

Tel. 03-8720 5100
Fax 03-9727 5940

New Zealand

Black & Decker
5 Te Apunga Place
Mt Wellington
Auckland 1060

Tel. +64 9 259 1133
Fax +64 9 259 1122

United Kingdom

Black & Decker
210 Bath Road
Slough, Berkshire SL1 3YD

Tel. 01753 511234
Fax 01753 551155